

US00D604454S

(12) **United States Design Patent**
Majidi

(10) **Patent No.:** **US D604,454 S**

(45) **Date of Patent:** **** Nov. 17, 2009**

(54) **LIGHT FIXTURE**

(75) Inventor: **Mouzhah Majidi**, London (GB)

(73) Assignee: **Louis Poulsen Lighting A/S**,
Copenhagen (DK)

(**) Term: **14 Years**

(21) Appl. No.: **29/306,074**

(22) Filed: **Apr. 1, 2008**

(30) **Foreign Application Priority Data**

Mar. 13, 2008 (EM) 000897202-0001

(51) **LOC (9) Cl.** **26-99**

(52) **U.S. Cl.** **D26/142**

(58) **Field of Classification Search** D26/128,
D26/121, 142, 155, 138, 122, 154, 113, 120,
D26/134, 118, 74, 88, 80, 87, 90, 60, 61,
D26/65, 63, 28, 107, 110, 109, 108, 9, 10,
D26/11, 13, 23, 24, 72, 86, 93, 96, 119, 141,
D26/143, 148, 149, 152, 153; 362/517, 516,
362/350, 349, 348, 347, 346, 341, 297, 601,
362/606, 609, 612, 623, 566, 577, 34, 84,
362/121, 98, 217.02-217.1, 241, 237, 238,
362/296.01, 299, 300, 301, 302, 307, 308,
362/309, 323, 326, 330, 331, 335, 336, 337,
362/351, 370

See application file for complete search history.

(56) **References Cited**

U.S. PATENT DOCUMENTS

D45,539 S * 3/1914 Meyers D26/90

D445,941 S * 7/2001 Schaefer et al. D26/85

D465,872 S * 11/2002 Cacaci D26/90

D469,211 S * 1/2003 Homann D26/118

D471,312 S * 3/2003 Homann D26/118

6,945,676 B1 * 9/2005 Scott 362/396

* cited by examiner

Primary Examiner—Cathron C Brooks

Assistant Examiner—Kevin K Rudzinski

(74) *Attorney, Agent, or Firm*—Vedder Price, P.C.

(57) **CLAIM**

The ornamental design for a light fixture, as shown and described.

DESCRIPTION

FIG. 1 is a top perspective view of a light fixture showing my new design;

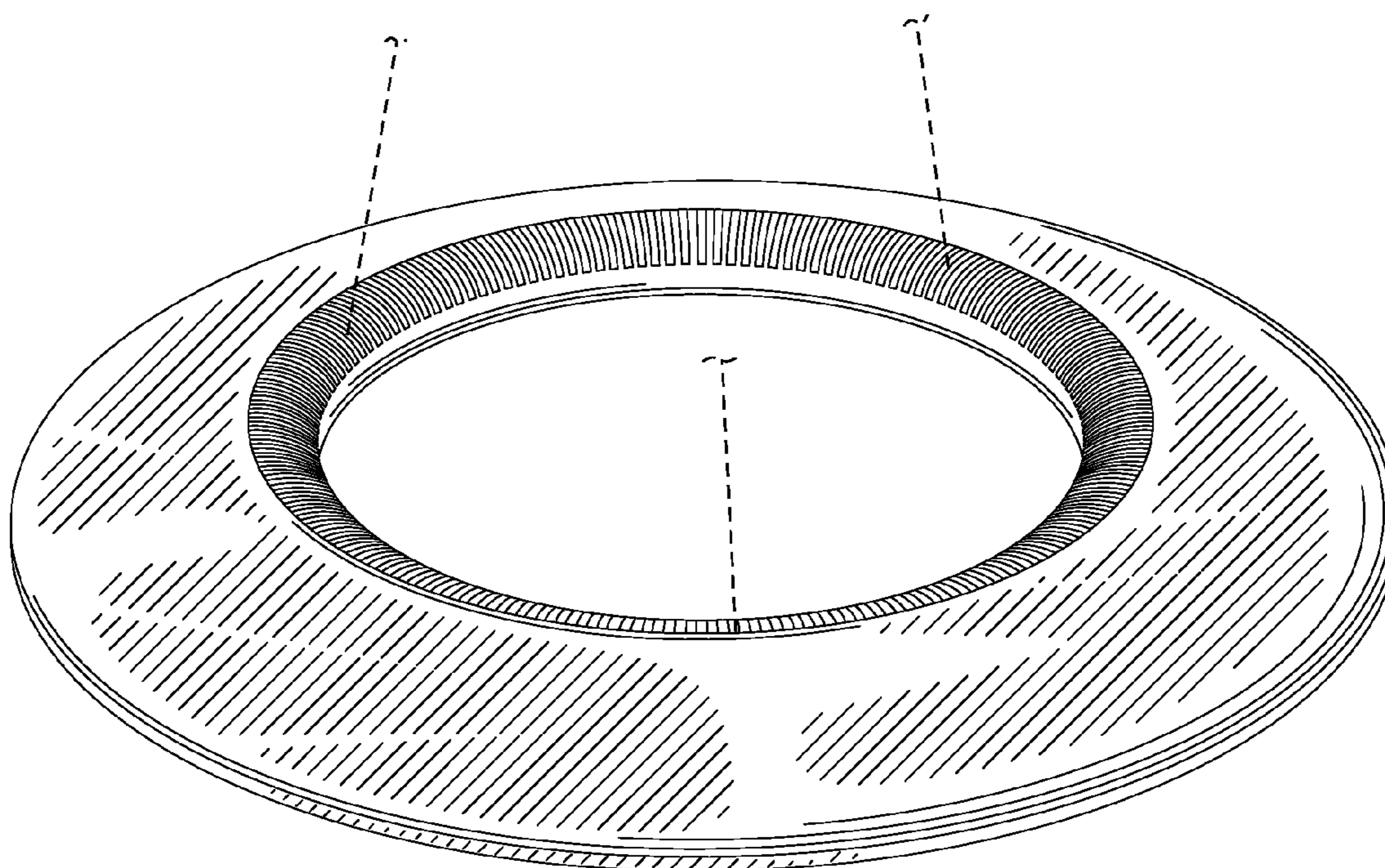
FIG. 2 is a side elevational view of the light fixture of FIG. 1;

FIG. 3 is a top view of the light fixture of FIG. 1; and,

FIG. 4 is a bottom plan view of the light fixture of FIG. 1.

The broken lines shown in the drawings represent environment and unclaimed portions of the design, and form no part of the claimed design.

1 Claim, 3 Drawing Sheets



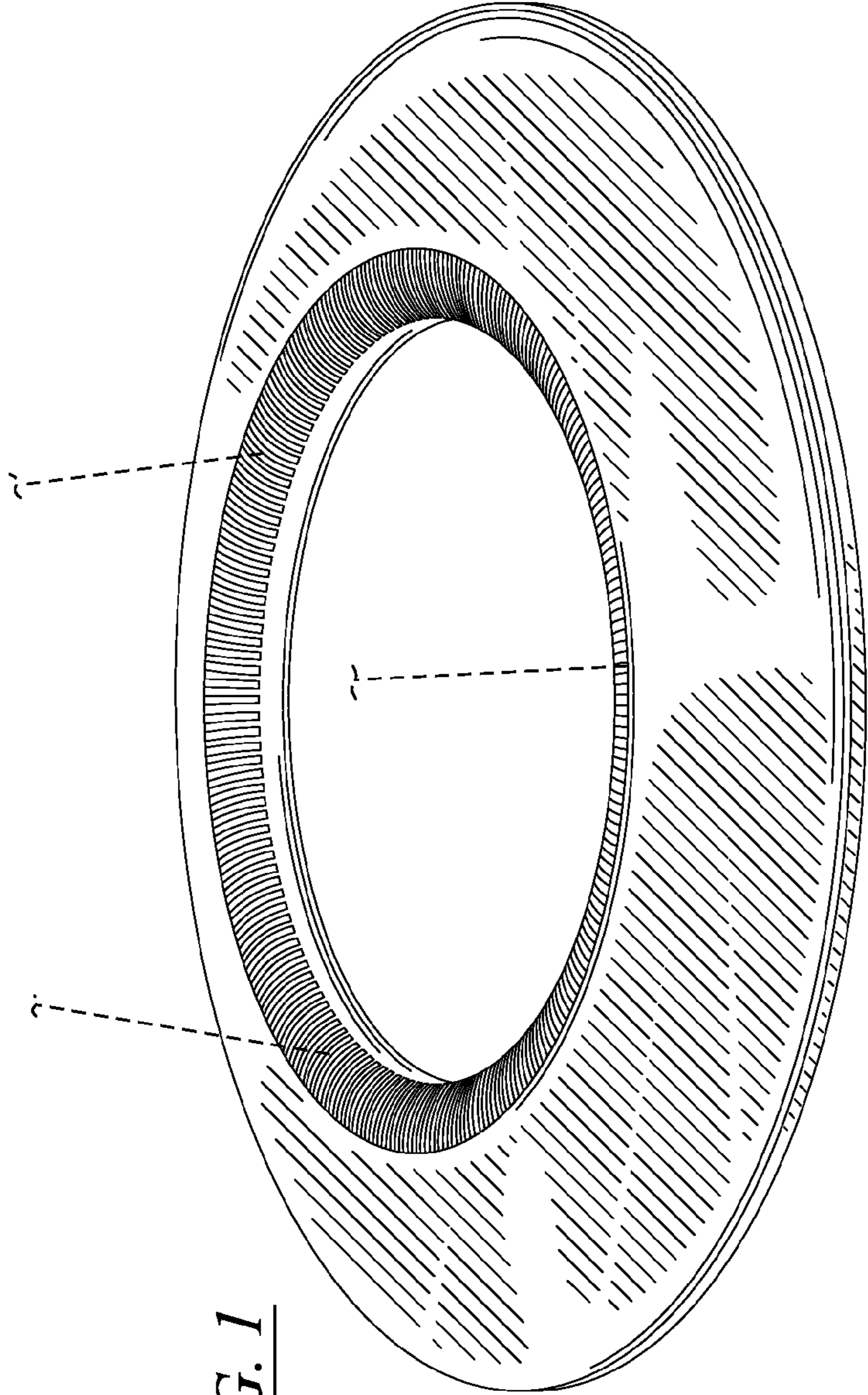


FIG. 1

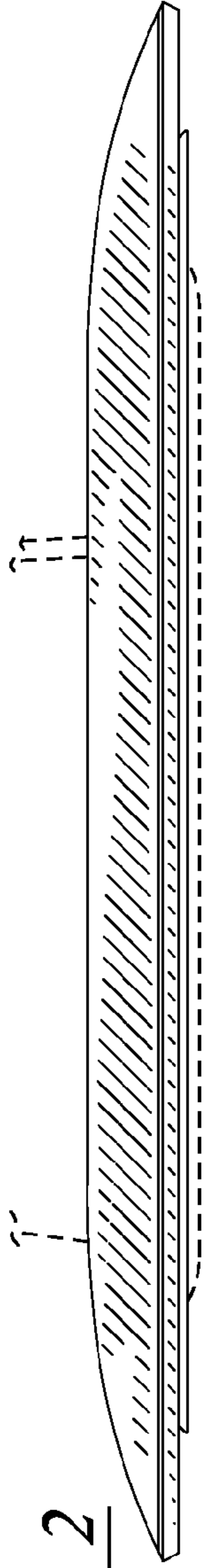


FIG. 2

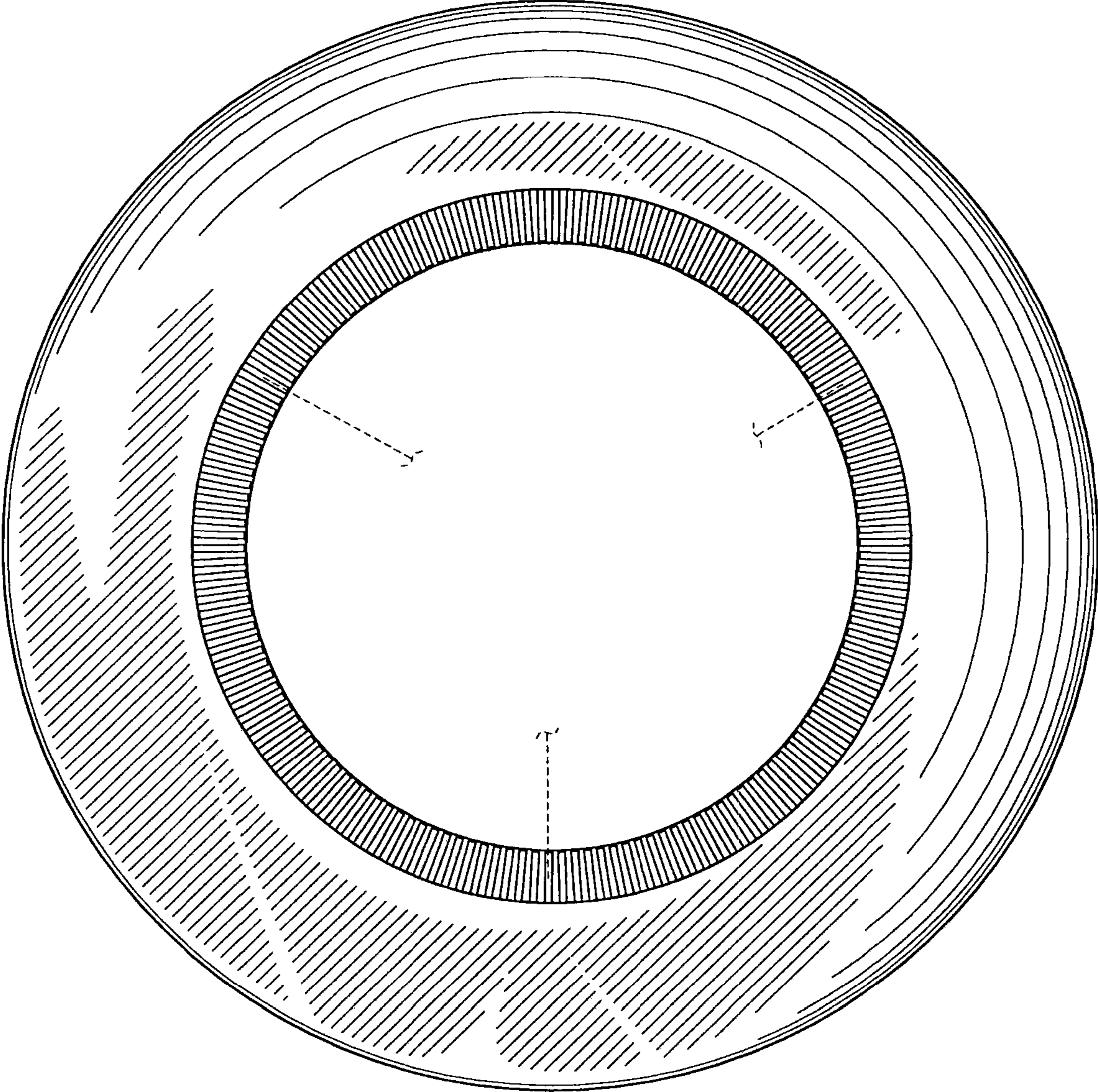


FIG. 3

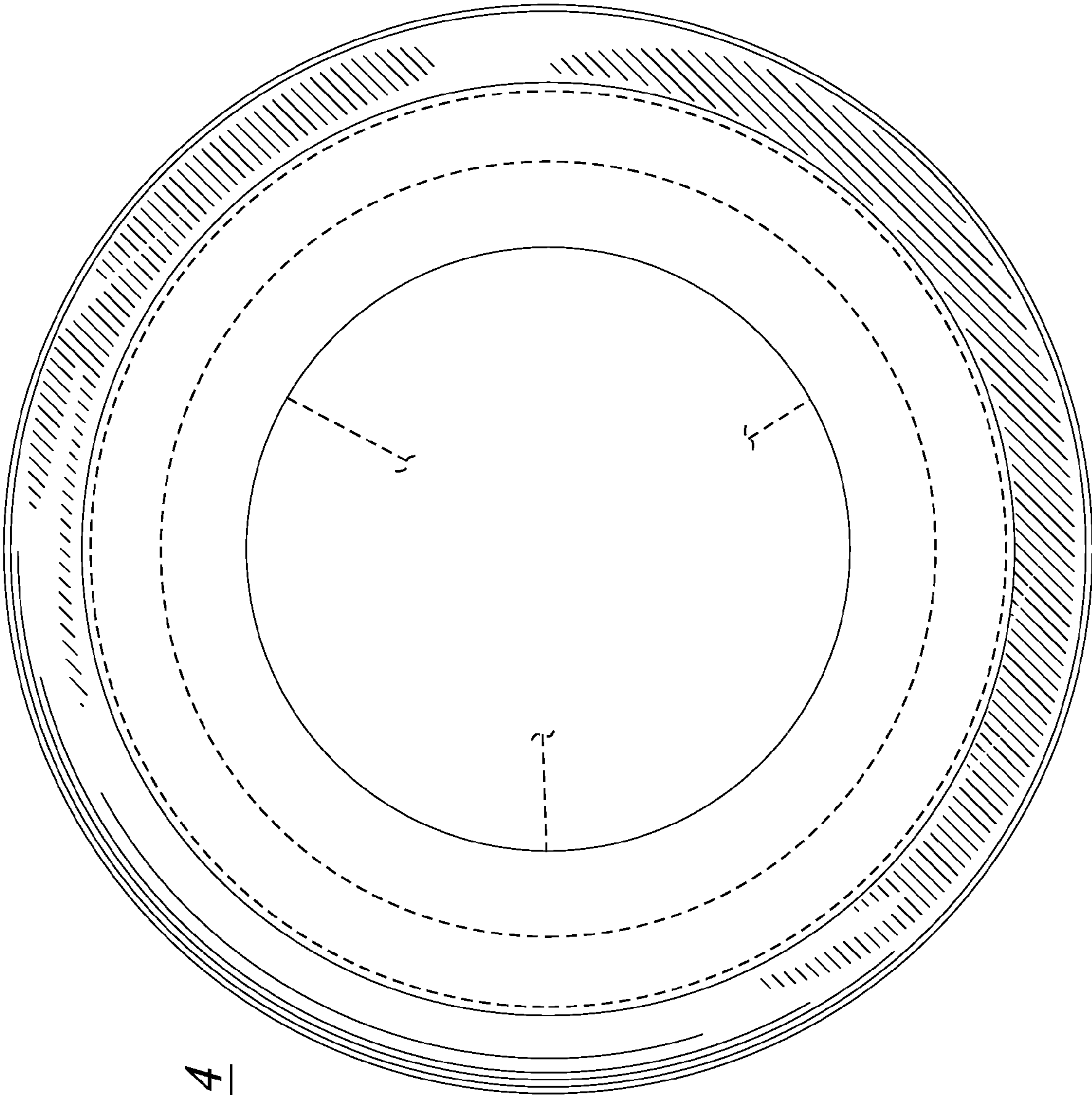


FIG. 4

UNITED STATES PATENT AND TRADEMARK OFFICE
CERTIFICATE OF CORRECTION

PATENT NO. : Des. 604,454 S
APPLICATION NO. : 29/306074
DATED : November 17, 2009
INVENTOR(S) : Majidi

Page 1 of 1

It is certified that error appears in the above-identified patent and that said Letters Patent is hereby corrected as shown below:

On title page Item (30)

Delete:

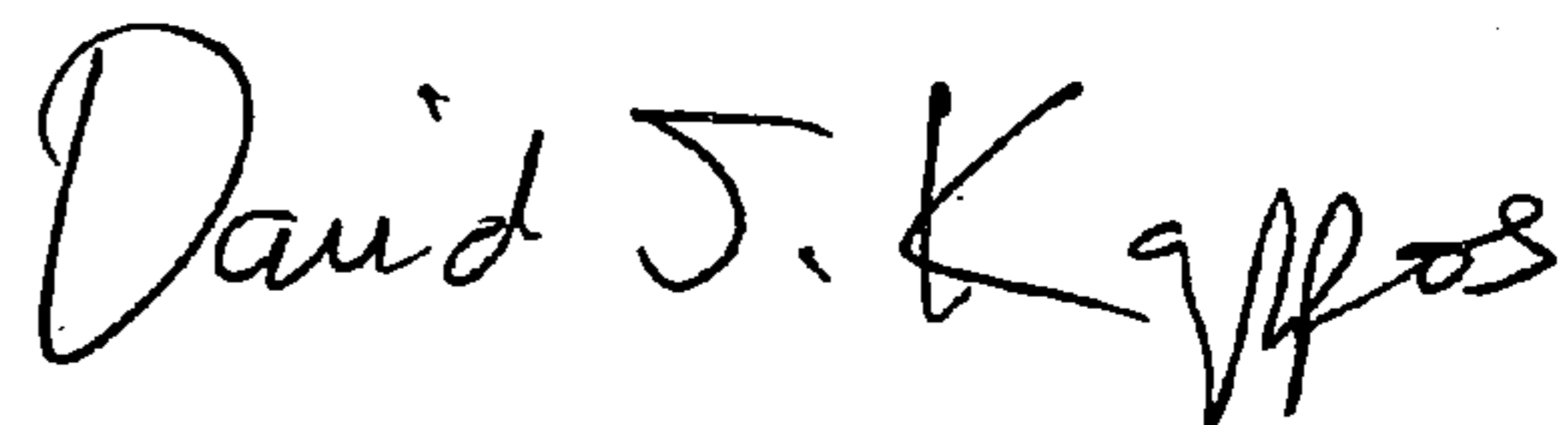
“Mar. 13, 2008 (EM)000897202-0001”

and replace with:

Mar. 19, 2008 (EM)000900014-0001

Signed and Sealed this

Thirtieth Day of March, 2010



David J. Kappos
Director of the United States Patent and Trademark Office