



US00D604447S

(12) **United States Design Patent**
Klaus

(10) **Patent No.:** **US D604,447 S**

(45) **Date of Patent:** **** Nov. 17, 2009**

(54) **LIGHT**

(75) Inventor: **Adolph Klaus**, Bonn (DE)

(73) Assignee: **Zumtobel Lighting GmbH**, Dombim (AT)

(**) Term: **14 Years**

(21) Appl. No.: **29/324,612**

(22) Filed: **Sep. 16, 2008**

(30) **Foreign Application Priority Data**

Mar. 18, 2008 (EM) 000912977

(51) **LOC (9) Cl.** **26-03**

(52) **U.S. Cl.** **D26/76; D26/78**

(58) **Field of Classification Search** D26/24–28,
D26/37, 67–68, 72, 74–78, 80, 85, 88, 89,
D26/104, 108, 118, 120–122; 362/132, 145,
362/147–150, 157, 217–225, 228, 260, 262–264,
362/267, 310, 345, 364, 365, 368, 432, 440
See application file for complete search history.

(56) **References Cited**

U.S. PATENT DOCUMENTS

D127,823	S	*	6/1941	Biller	D26/78
D130,059	S	*	10/1941	Herr	D26/78
D145,700	S	*	10/1946	Robboy	D26/78
2,436,706	A	*	2/1948	Weritz	439/232
2,505,864	A	*	5/1950	Kelman	200/51.07
2,618,676	A	*	11/1952	Howard	439/231
2,631,225	A	*	3/1953	Gadomski	362/224
D295,329	S	*	4/1988	Roos et al.	D26/75
D332,502	S	*	1/1993	Roos	D26/78
5,564,818	A	*	10/1996	Grossman et al.	362/221

6,361,186	B1	*	3/2002	Slayden	362/249
6,670,626	B2	*	12/2003	Witham et al.	250/504 R
D498,867	S	*	11/2004	Keller	D26/78
D502,565	S	*	3/2005	Hetfield	D26/76
D526,737	S	*	8/2006	Noh	D26/78
7,282,728	B2	*	10/2007	Culbert	250/504 R
2007/0274067	A1	*	11/2007	Sloan et al.	362/219

* cited by examiner

Primary Examiner—Philip S Hyder

Assistant Examiner—Susan E Krakower

(74) *Attorney, Agent, or Firm*—Marshall, Gerstein & Borun LLP

(57) **CLAIM**

The ornamental design for a light, as shown and described.

DESCRIPTION

FIG. 1 is an enlarged end view of a light that has the design.

FIG. 2 is a perspective view of the light showing the front, an end, and a side.

FIG. 3 is a perspective view of the light showing the back, an end, and a side.

FIG. 4 is a side view of the light, showing the side seen on the right side of FIG. 1.

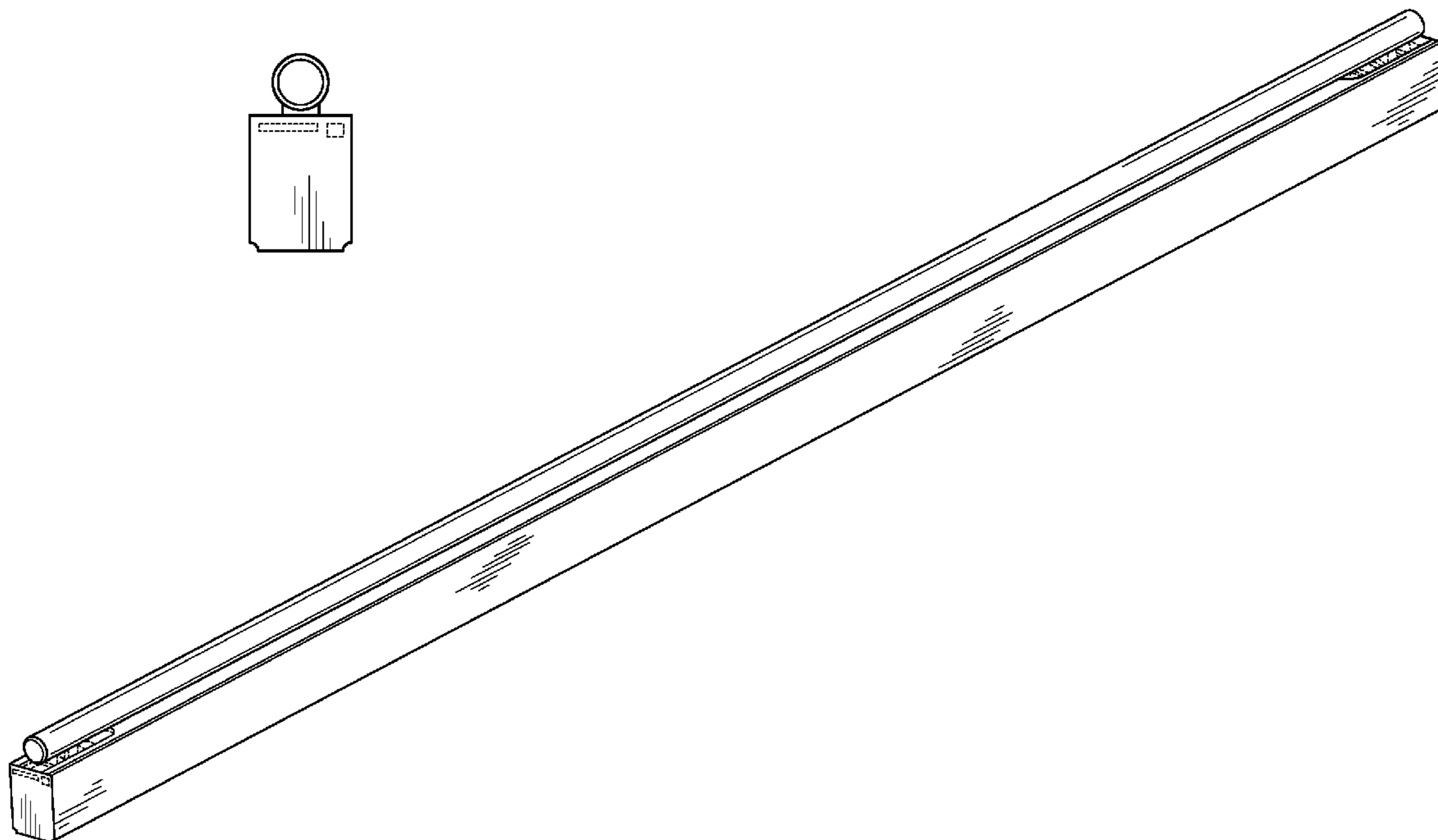
FIG. 5 is a front view of the light.

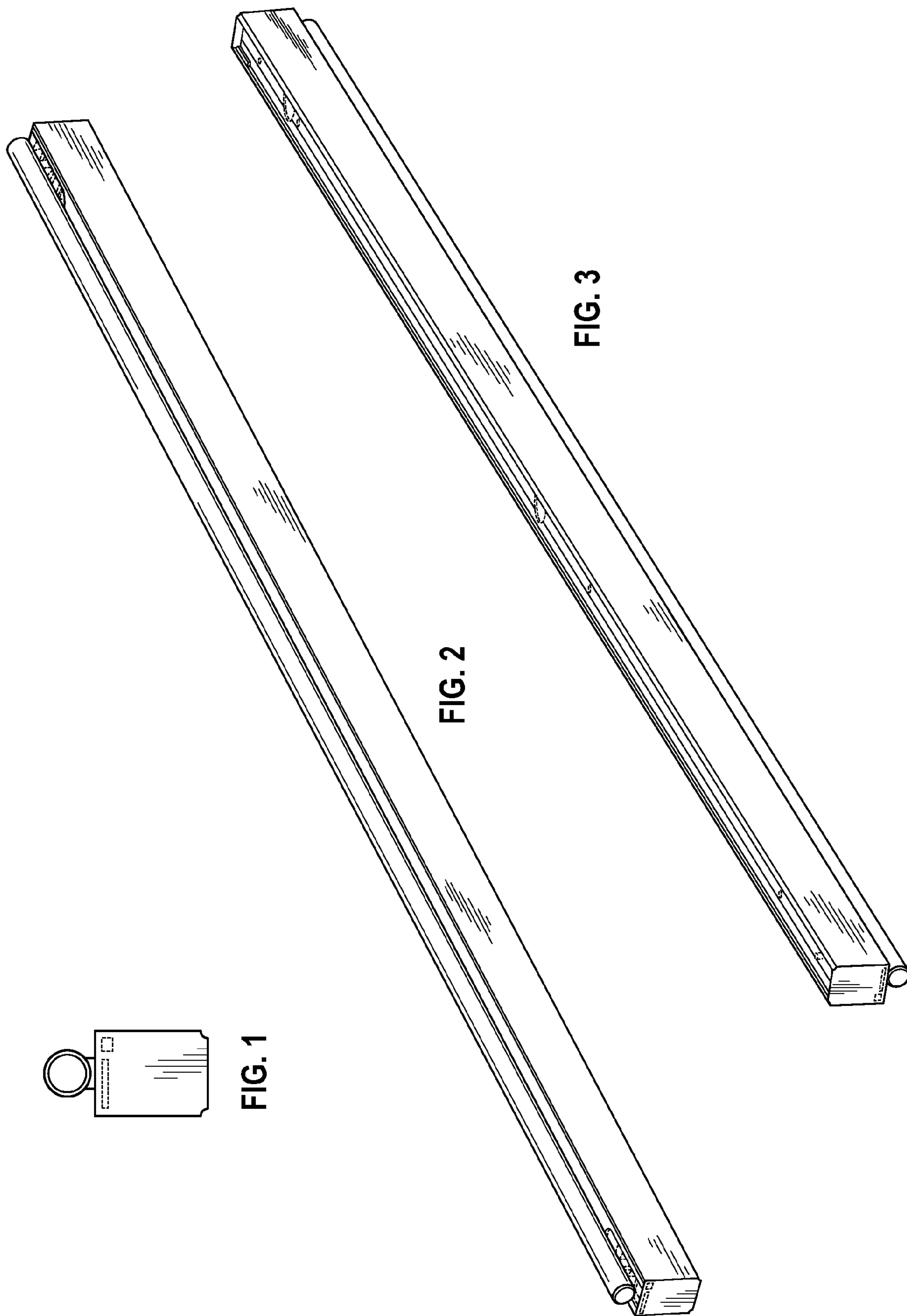
FIG. 6 is a side view of the light, showing the side seen on the left side of FIG. 5; and,

FIG. 7 is a back view of the light.

The broken line showing of portions of the light is for the purpose of illustrating portions of the light and forms no part of the claimed design.

1 Claim, 2 Drawing Sheets





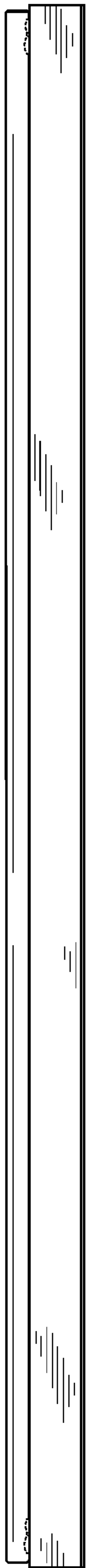


FIG. 4



FIG. 5

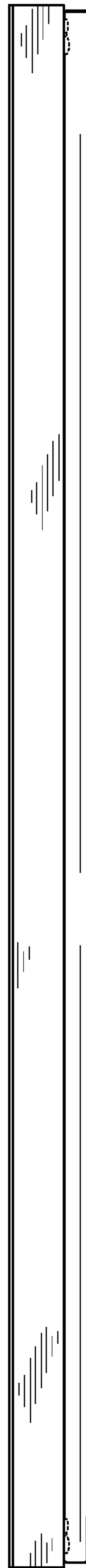


FIG. 6



FIG. 7