



US00D604445S

(12) **United States Design Patent**  
**Ko et al.**

(10) **Patent No.:** **US D604,445 S**

(45) **Date of Patent:** **\*\* Nov. 17, 2009**

(54) **SURFACE MOUNTED LIGHT FIXTURE**

D593,238 S \* 5/2009 Allen ..... D26/37

(76) Inventors: **Wai-shing Peter Ko**, 125 Holly Springs Dr., Peachtree City, GA (US) 30269; **Jon Eric Gibson**, 15 Carriage Park Ct., Oxford, GA (US) 30054

\* cited by examiner

*Primary Examiner*—Clare E Heflin

(\*\*) Term: **14 Years**

(57) **CLAIM**

(21) Appl. No.: **29/333,402**

The ornamental design for a surface mounted light fixture, as shown and described.

(22) Filed: **Mar. 9, 2009**

**DESCRIPTION**

(51) **LOC (9) Cl.** ..... **26-05**

FIG. 1 is a perspective view of a surface mounted light fixture, showing my invention;

(52) **U.S. Cl.** ..... **D26/72; D26/60**

FIG. 2 is a top plan view of the invention;

(58) **Field of Classification Search** ..... D26/24, D26/36, 37, 44, 60, 61, 63, 72, 80, 138; 362/98, 362/99, 101, 182, 202, 267, 473, 477, 515  
See application file for complete search history.

FIG. 3 is a side elevation view of the invention taken from the top side of FIG. 1;

FIG. 4 is a bottom plan view of the invention;

(56) **References Cited**

**U.S. PATENT DOCUMENTS**

D51,973 S *	4/1918	Pearson et al.	.....	D26/37
D79,855 S *	11/1929	Schnell	.....	D26/36
D80,496 S *	2/1930	Schnell	.....	D26/36
D209,536 S *	12/1967	McCain	.....	D26/74
D275,708 S *	9/1984	Lee	.....	D26/37
D382,001 S *	8/1997	Wang	.....	D16/219
5,909,955 A *	6/1999	Roorda	.....	362/368
D578,686 S *	10/2008	Dalton	.....	D26/37
D584,842 S *	1/2009	Sham	.....	D26/37

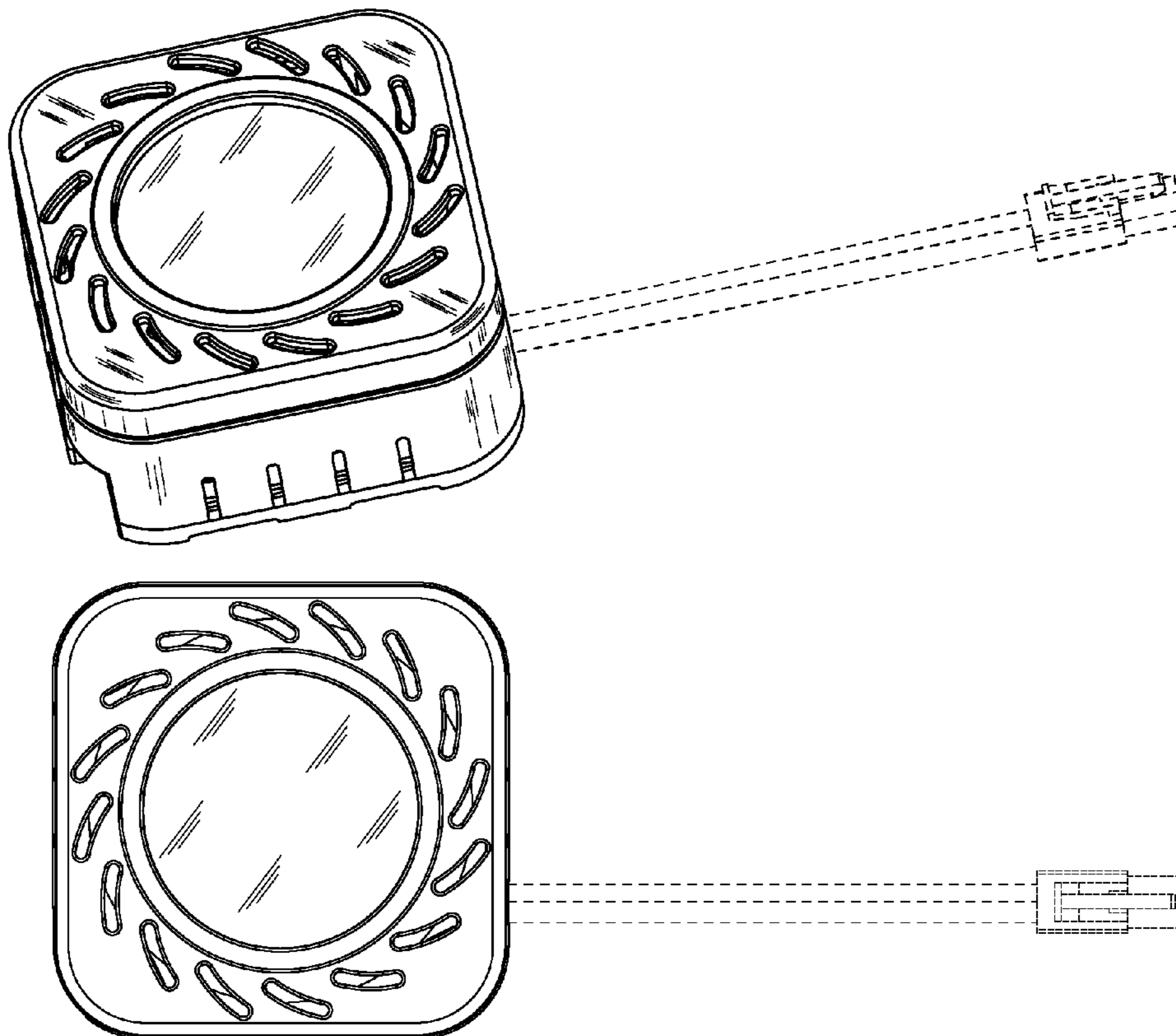
FIG. 5 is a side elevation view of the invention taken from the lower side of FIG. 1;

FIG. 6 is left side elevation view of the invention taken from the left end of FIG. 1; and,

FIG. 7 is right side elevation view of the invention taken from the right end of FIG. 1.

An optional cable with connector is shown in broken lines for the purpose of illustrating environmental structure only and forms no part of the claimed design.

**1 Claim, 3 Drawing Sheets**



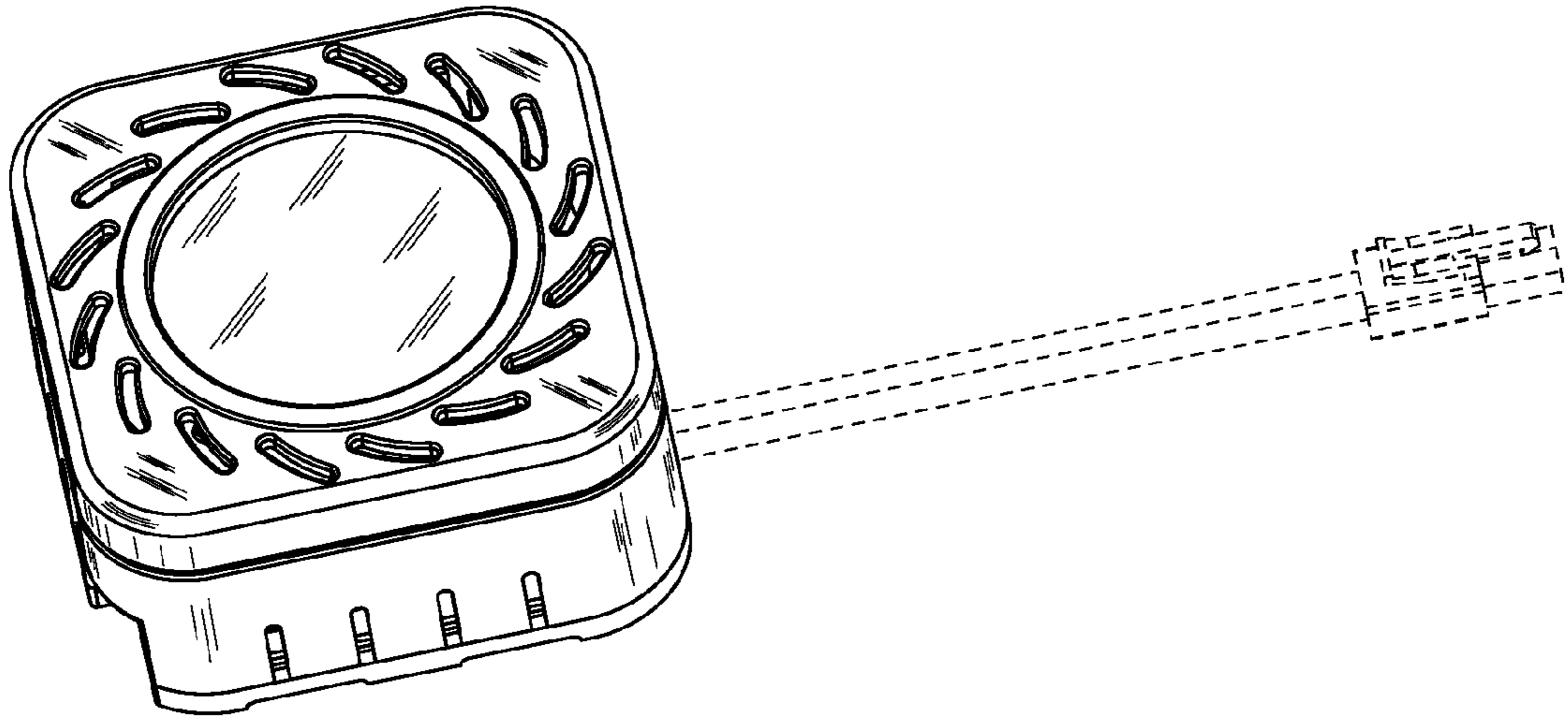


FIG. 1

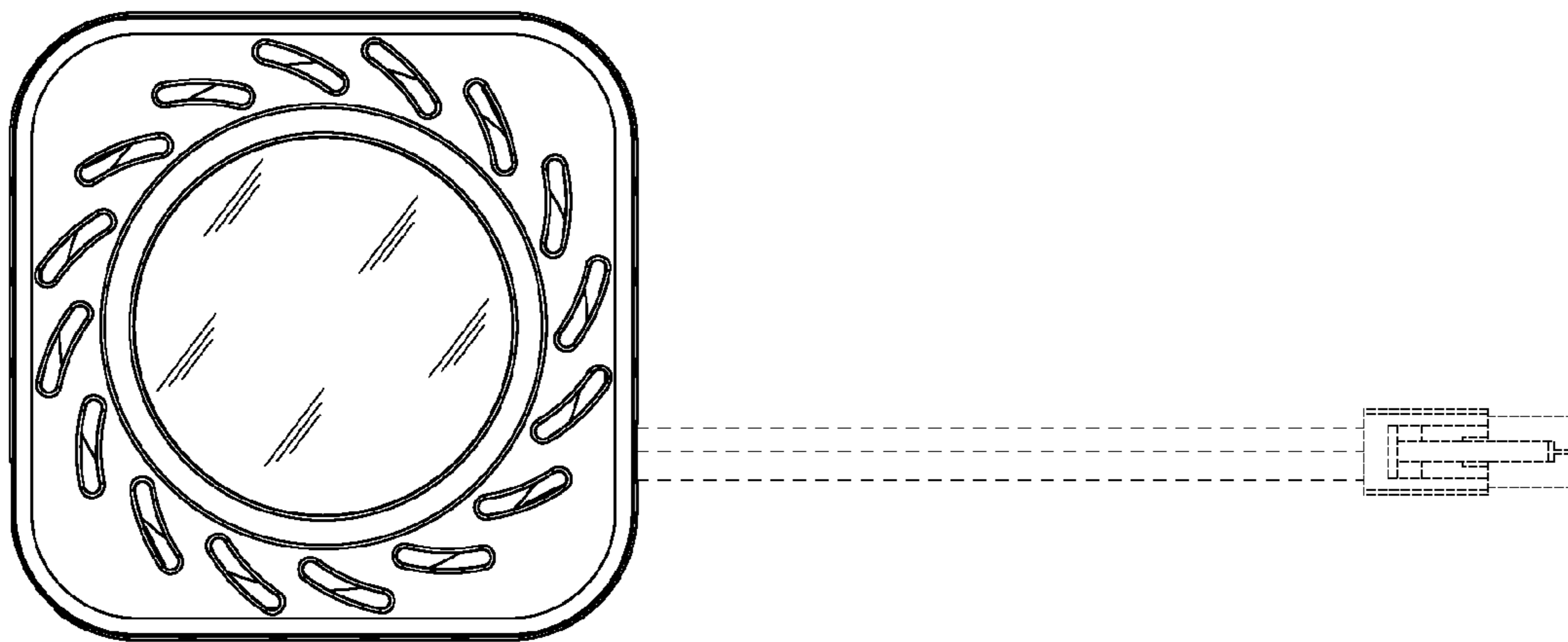


FIG. 2

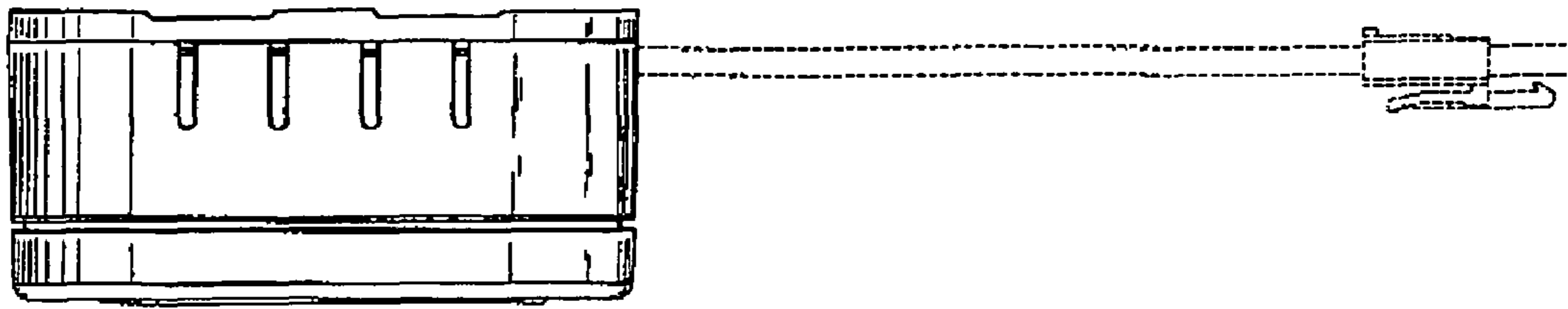


FIG. 3

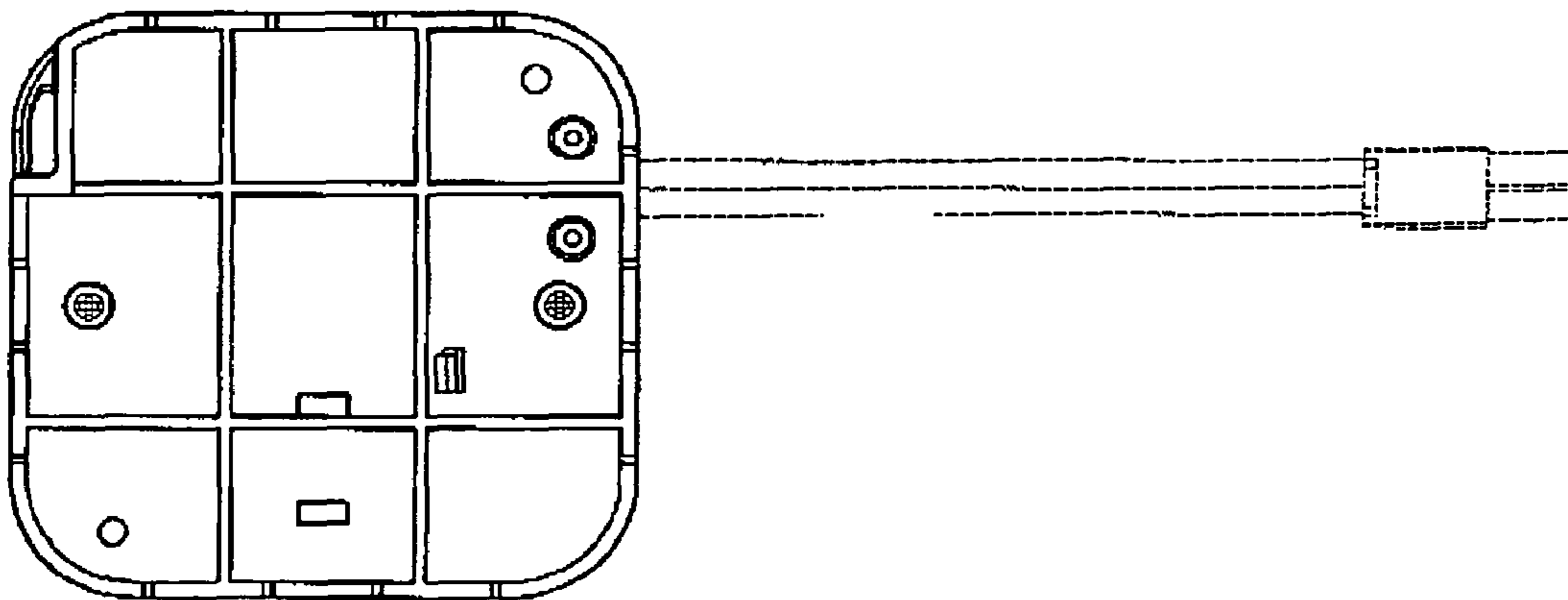


FIG. 4

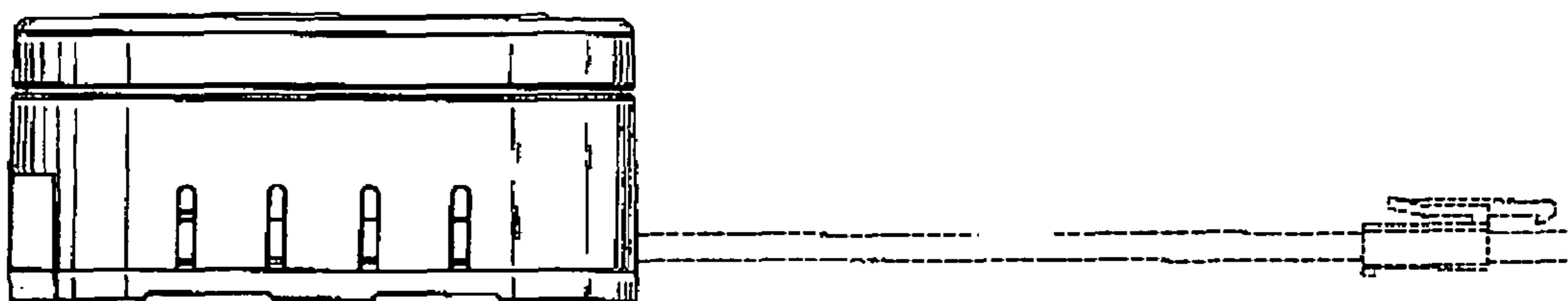


FIG. 5

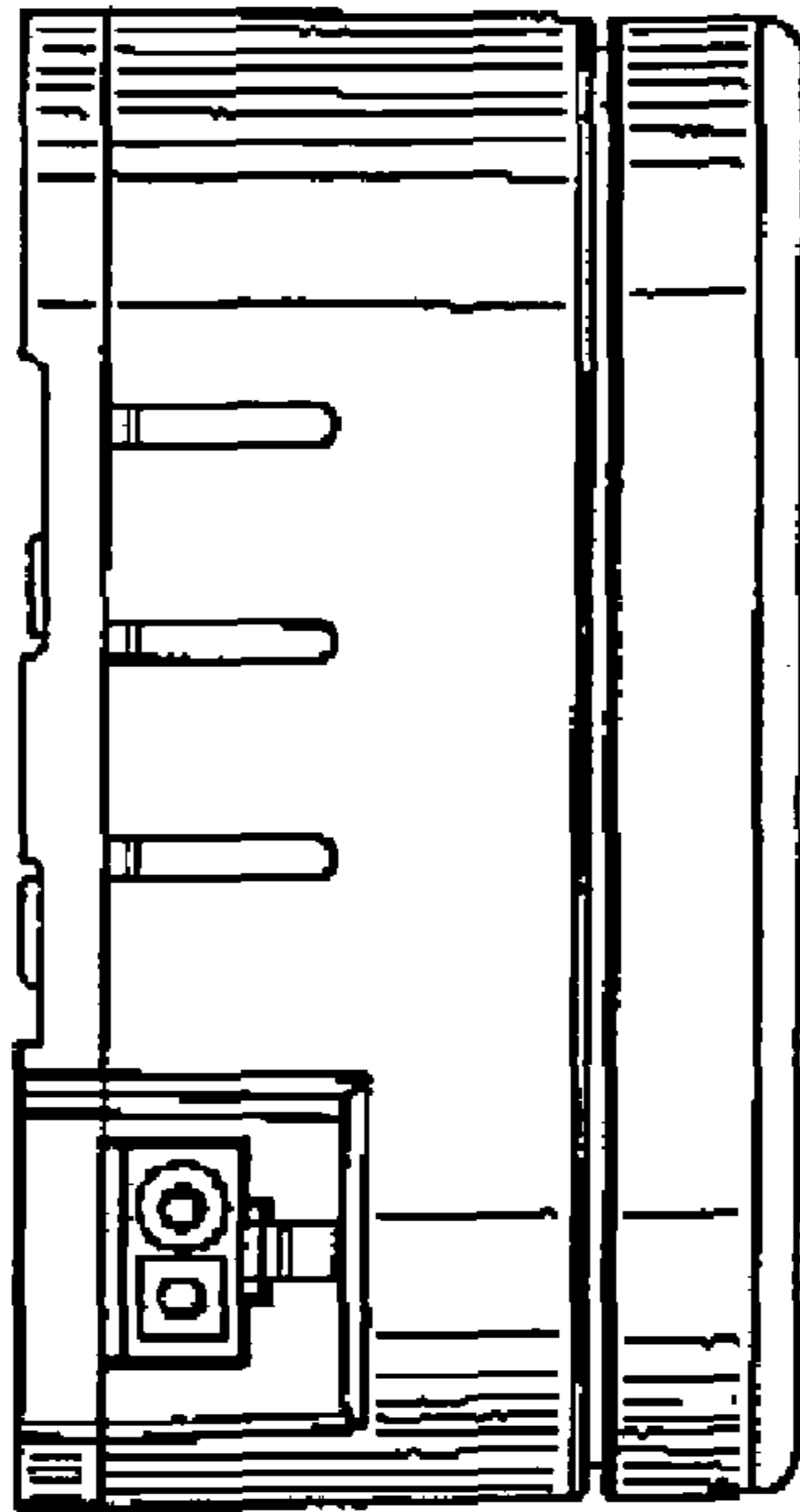


FIG. 6

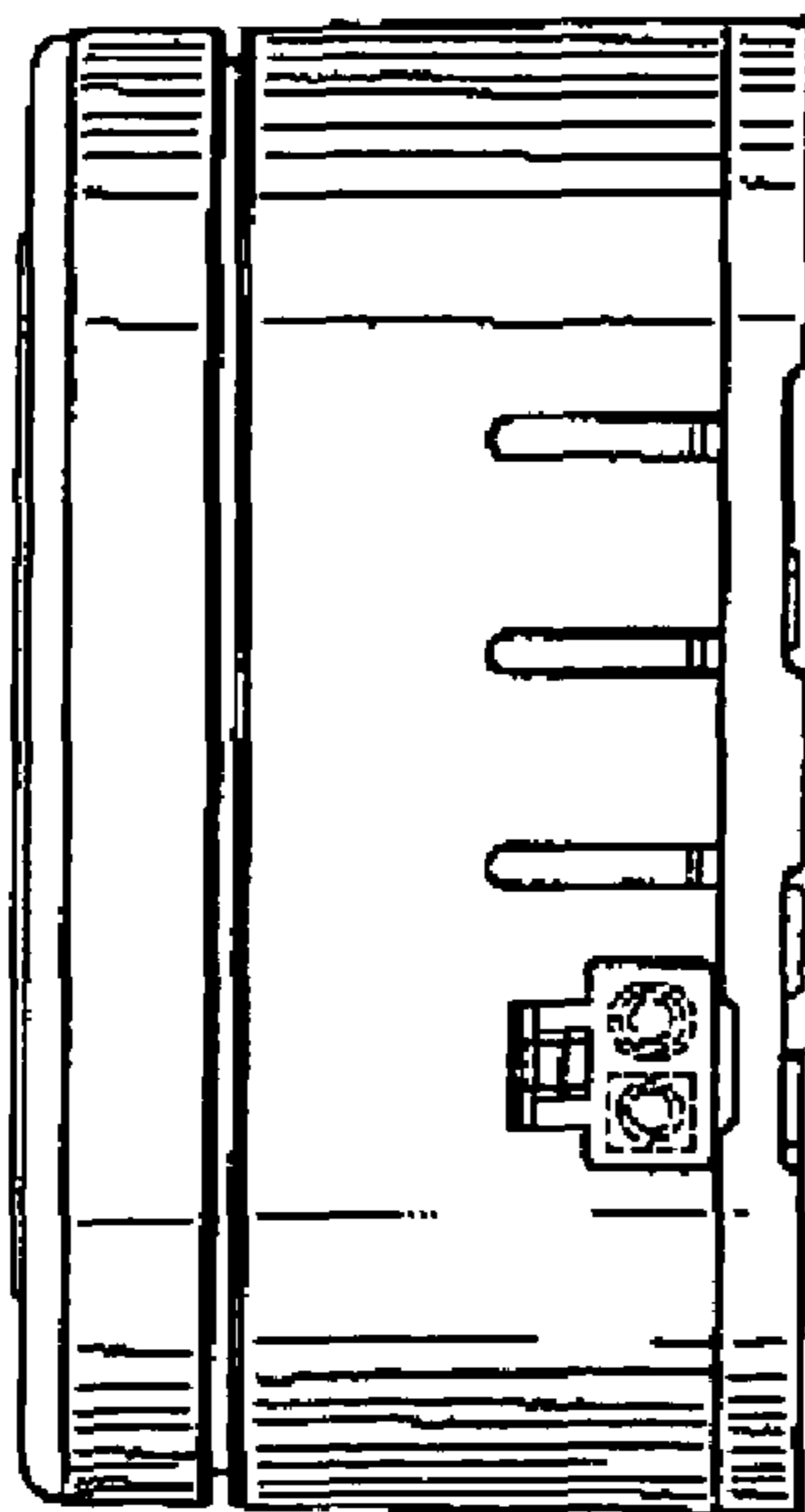


FIG. 7