



US00D604443S

(12) **United States Design Patent**
Chen

(10) **Patent No.:** **US D604,443 S**

(45) **Date of Patent:** **** Nov. 17, 2009**

(54) **SOLAR POWERED OUTDOOR LIGHT**

D594,587 S * 6/2009 Chen D26/67

(75) Inventor: **Chi Gon Chen**, Guang Zhou (CN)

(73) Assignee: **International Development LLC**,
Roanoke, TX (US)

(**) Term: **14 Years**

(21) Appl. No.: **29/336,674**

(22) Filed: **May 7, 2009**

(51) **LOC (9) Cl.** **23-05**

(52) **U.S. Cl.** **D26/67**

(58) **Field of Classification Search** D26/67-71,
D26/85; 362/152, 153, 153.1, 180, 183,
362/431, 653

See application file for complete search history.

(56) **References Cited**

U.S. PATENT DOCUMENTS

4,774,648	A *	9/1988	Kakuk et al.	362/302
D492,055	S *	6/2004	Hon et al.	D26/67
D518,219	S *	3/2006	Bucher et al.	D26/67
D528,243	S *	9/2006	Bucher et al.	D26/68
D528,692	S *	9/2006	Chen	D26/67
D532,141	S *	11/2006	Chen	D26/67
D533,293	S *	12/2006	Chen	D26/67
D557,849	S *	12/2007	Chen	D26/67
D567,984	S *	4/2008	Chen	D26/67

OTHER PUBLICATIONS

Solar 8 Pack Tapered Lights / Manufacturer's Model #RS2P-HDBZ-8 / Found at HomeDepot.com Jul. 13, 2009.*

* cited by examiner

Primary Examiner—Clare E Heflin

(74) *Attorney, Agent, or Firm*—Honigman Miller Schwartz and Cohn LLP

(57) **CLAIM**

The ornamental design for a solar powered outdoor light, as shown and described.

DESCRIPTION

FIG. 1 is an isometric view.

FIG. 2 is a front elevational view.

FIG. 3 is a back elevational view.

FIG. 4 is a right side elevational view.

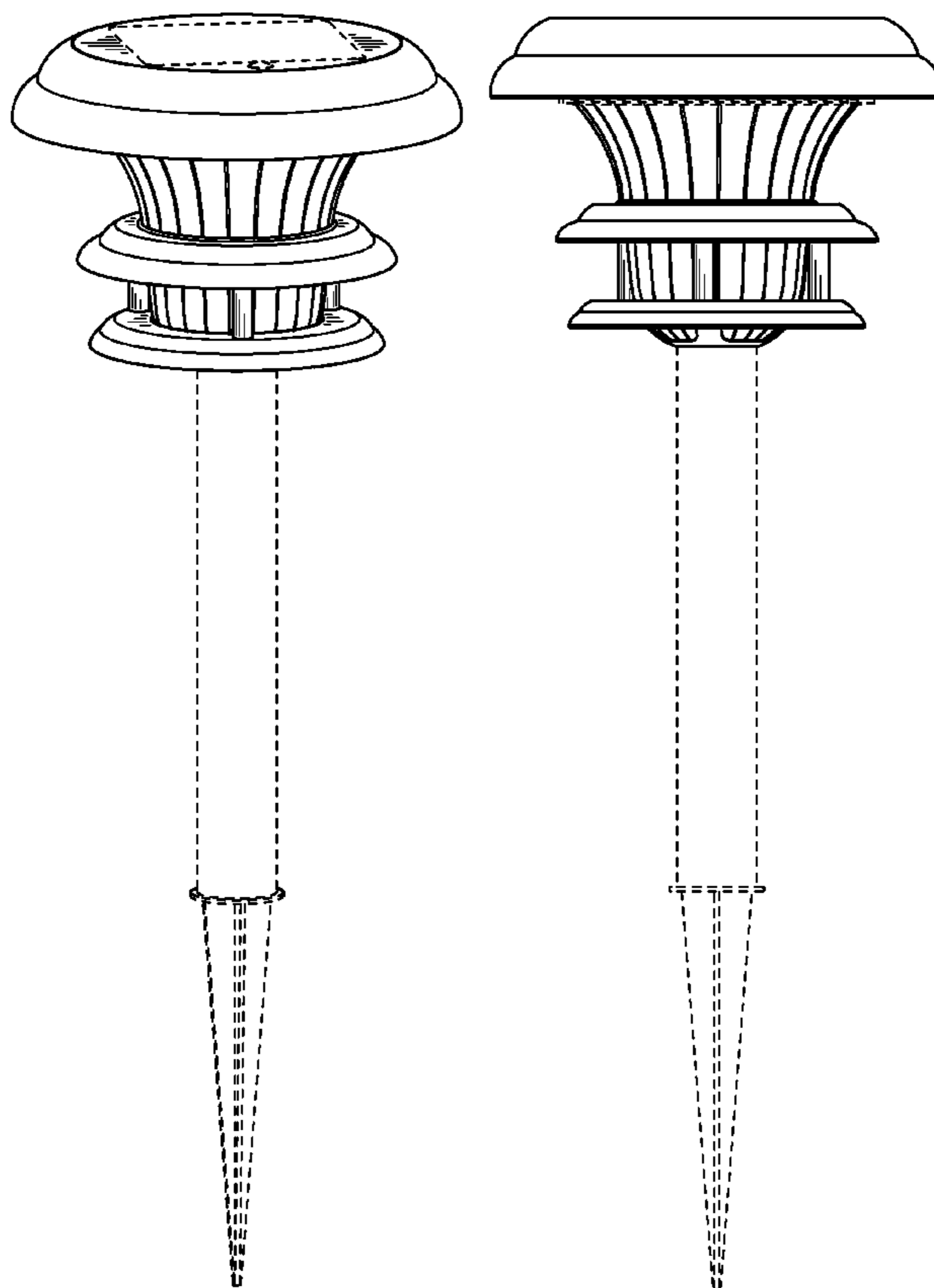
FIG. 5 is a left side elevational view.

FIG. 6 is a top plan view; and,

FIG. 7 is a bottom plan view.

The broken lines shown on the drawings represent environment only and form no part of the claim.

1 Claim, 6 Drawing Sheets



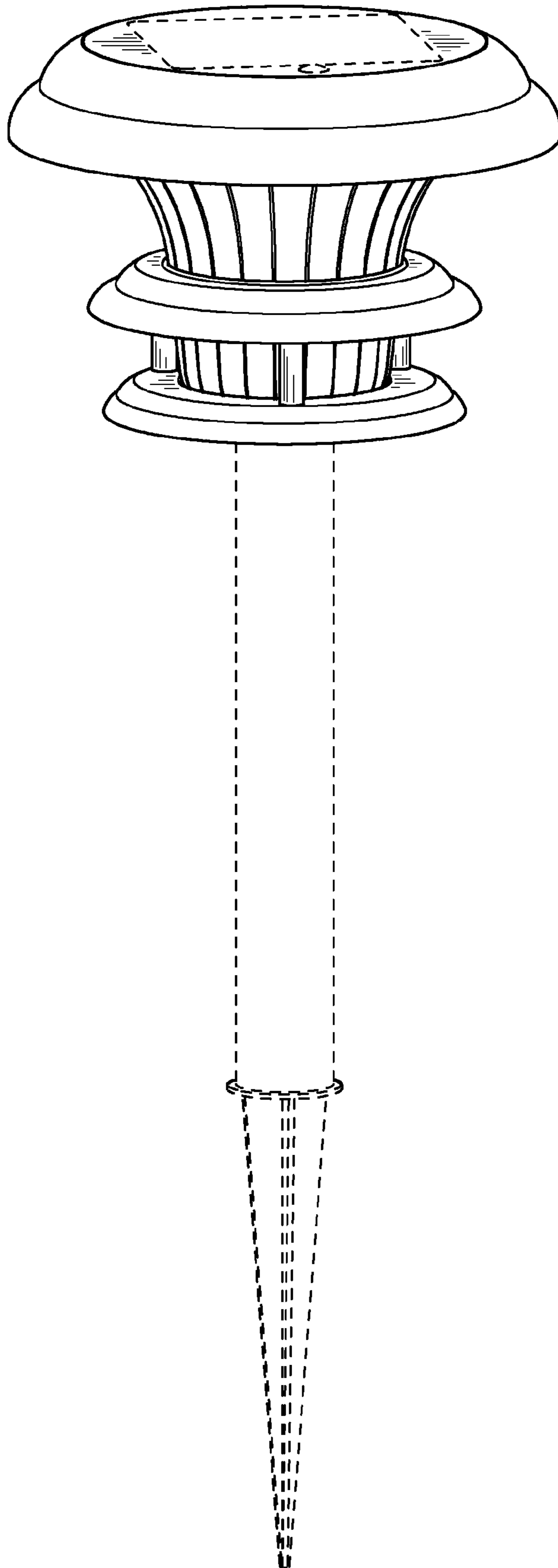


FIG. 1

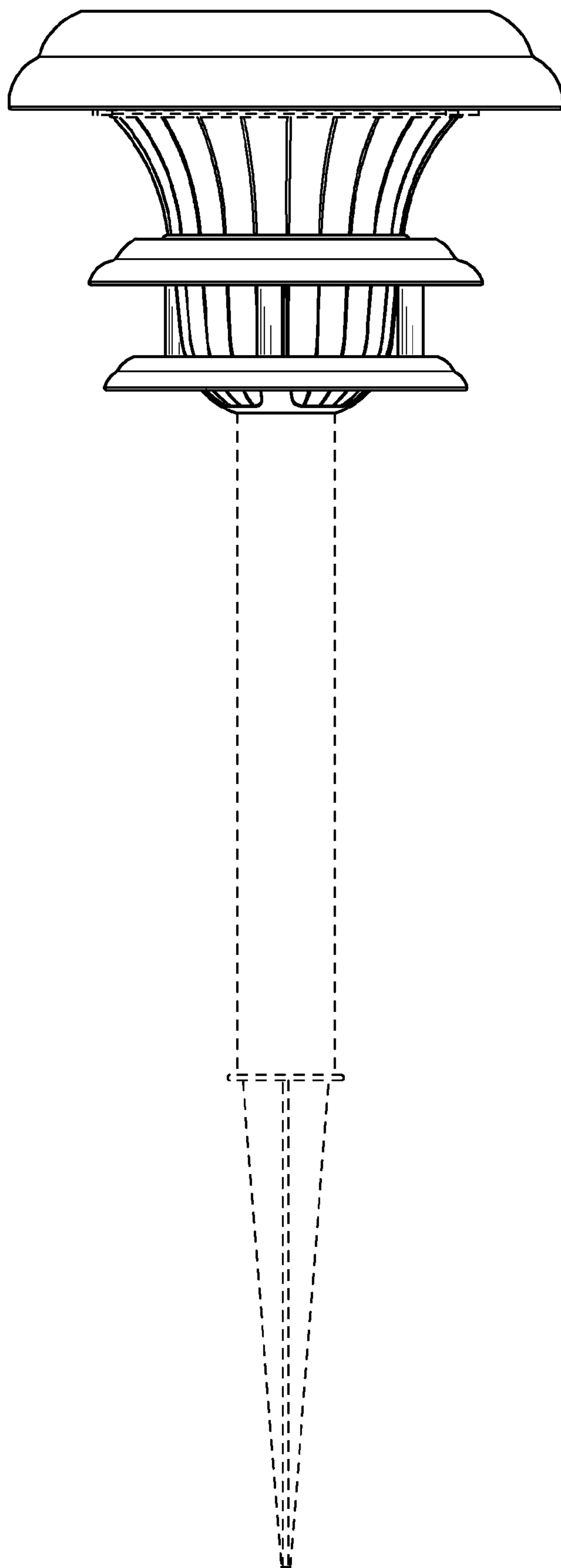


FIG. 2

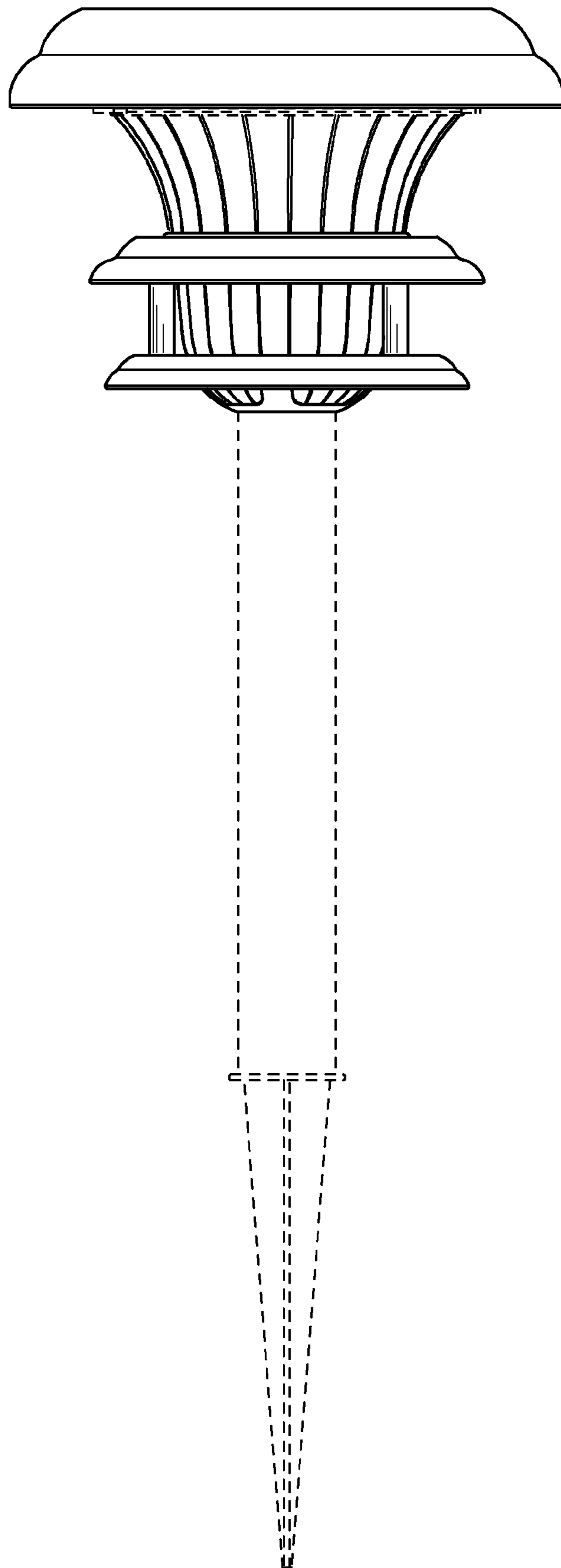


FIG. 3

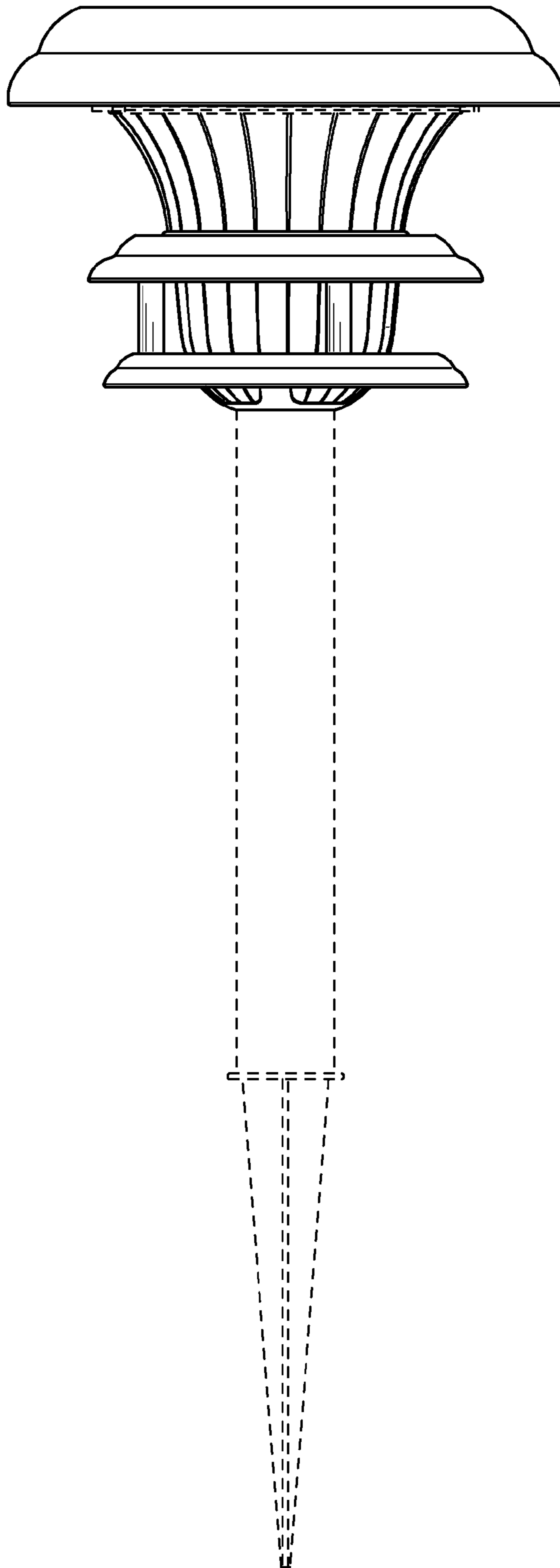


FIG. 4

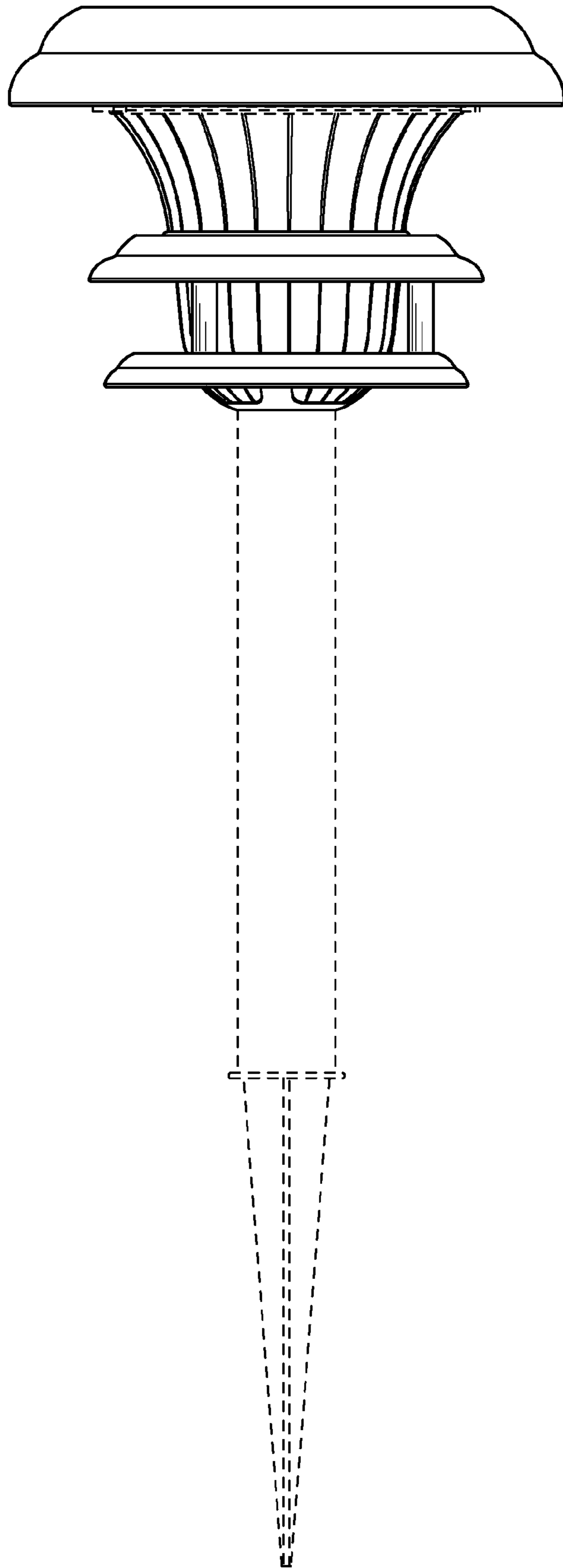


FIG. 5

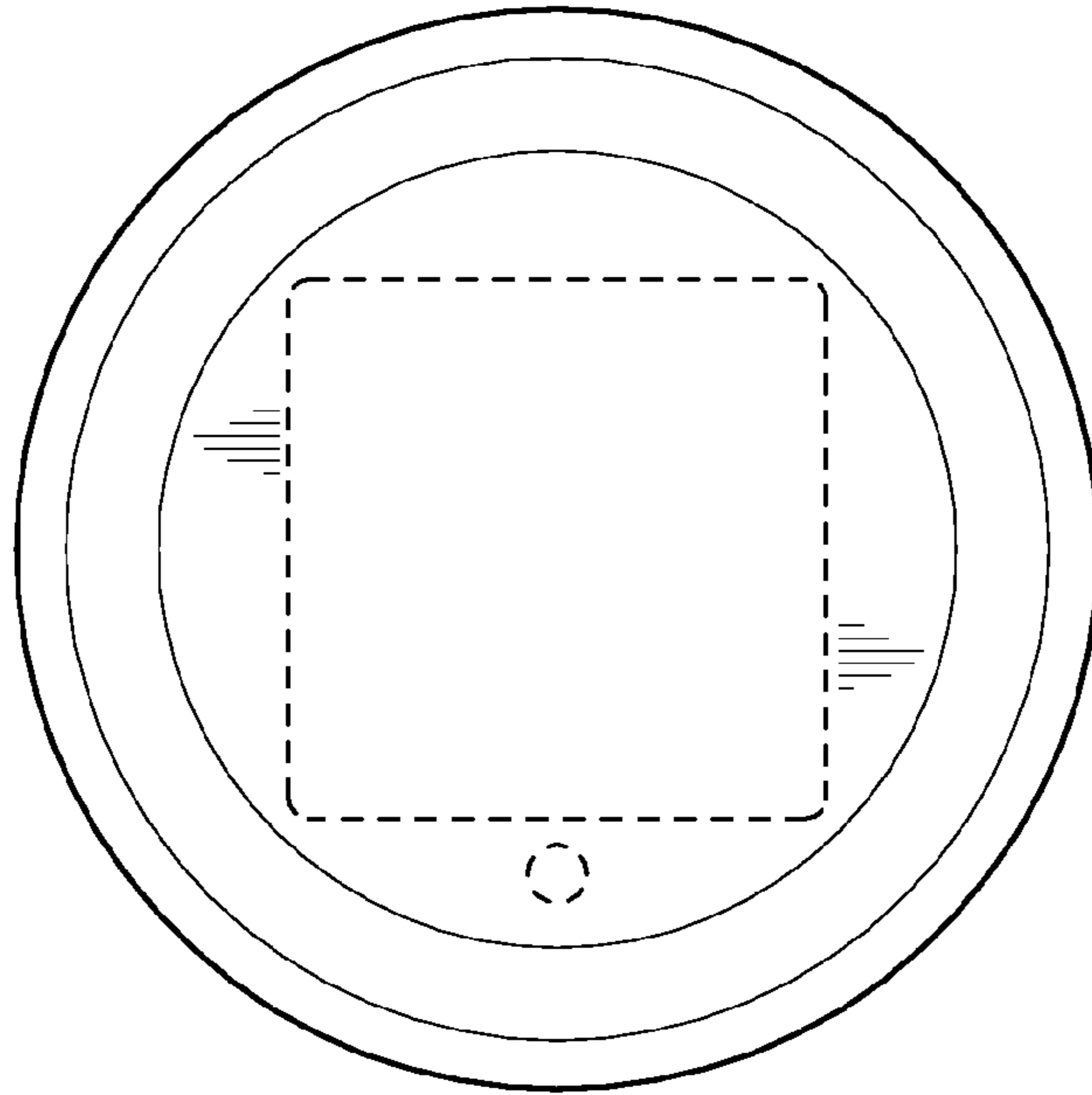


FIG. 6

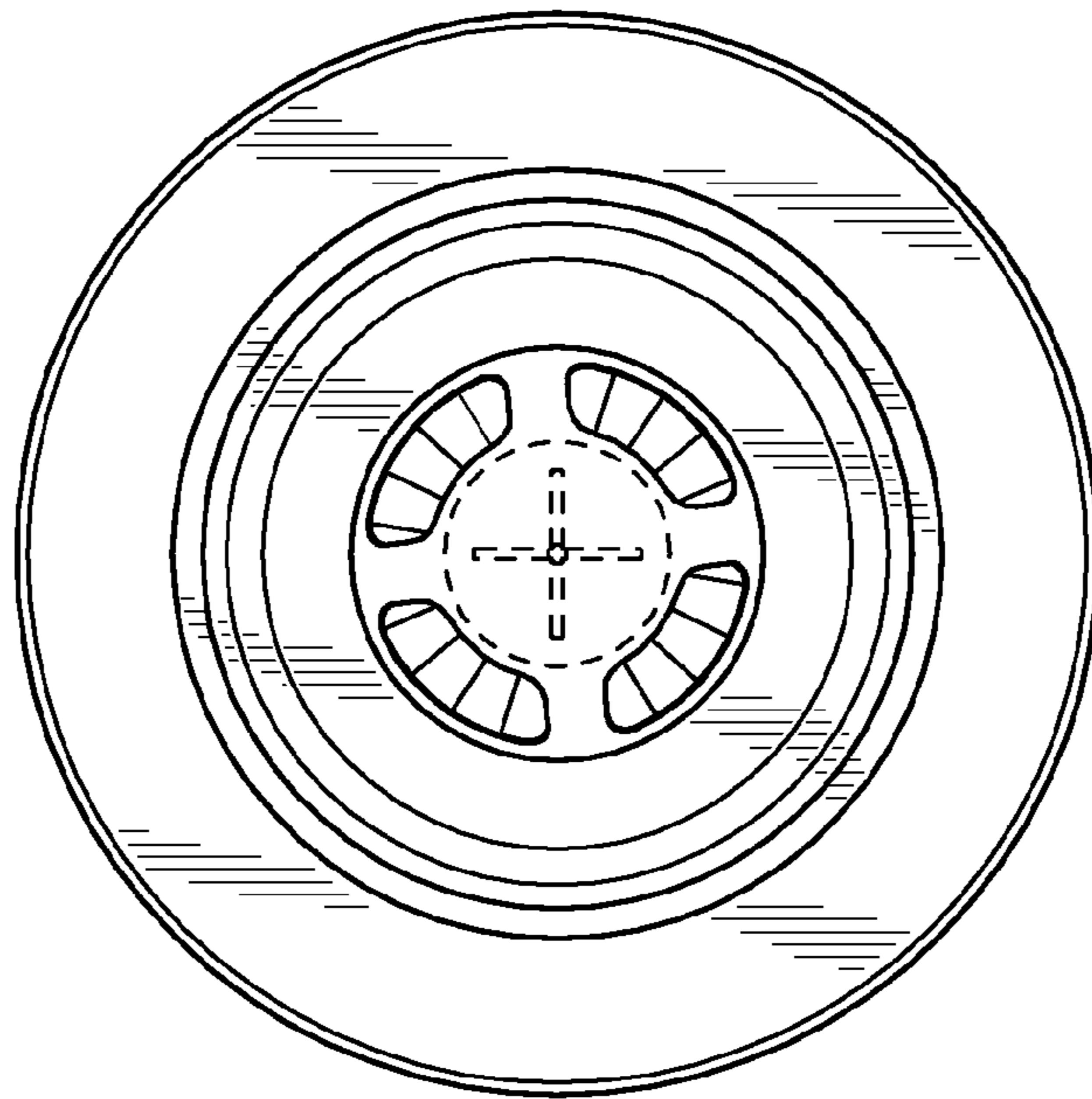


FIG. 7