



US00D604442S

(12) **United States Design Patent**  
**Chen**

(10) **Patent No.:** **US D604,442 S**

(45) **Date of Patent:** **\*\* Nov. 17, 2009**

(54) **SOLAR POWERED OUTDOOR LIGHT**

D536,818 S \* 2/2007 Sooferian ..... D26/68  
D539,957 S \* 4/2007 Luo ..... D26/67

(75) Inventor: **Chi Gon Chen**, Guang Zhou (CN)

**OTHER PUBLICATIONS**

(73) Assignee: **International Development LLC**,  
Roanoke, TX (US)

Solar 8 Pack Tapered Lights / Manufacturer's Model #RS2P-HBDZ-8. From homedepot.com Jul. 13, 2009.\*

(\*\*) Term: **14 Years**

\* cited by examiner

(21) Appl. No.: **29/336,668**

*Primary Examiner*—Clare E Heflin

(22) Filed: **May 7, 2009**

(74) *Attorney, Agent, or Firm*—Honigman Miller Schwartz and Cohn LLP

(51) **LOC (9) Cl.** ..... **23-05**

(57) **CLAIM**

(52) **U.S. Cl.** ..... **D26/67**

The ornamental design for a solar powered outdoor light, as shown and described.

(58) **Field of Classification Search** ..... D26/67-71,  
D26/85; 362/152, 153, 153.1, 180, 183,  
362/431, 653

**DESCRIPTION**

See application file for complete search history.

FIG. 1 is an isometric view of a solar powered outdoor light showing the new design;

(56) **References Cited**

**U.S. PATENT DOCUMENTS**

D192,125 S *	1/1962	Lasker	.....	D26/67
D208,325 S *	8/1967	Bobrick	.....	D26/67
D469,908 S *	2/2003	Chen	.....	D26/67
D482,814 S *	11/2003	Pu	.....	D26/67
D497,021 S *	10/2004	Pu	.....	D26/67
D499,831 S *	12/2004	Chen	.....	D26/68
D532,141 S *	11/2006	Chen	.....	D26/67
D535,425 S *	1/2007	Chen	.....	D26/67

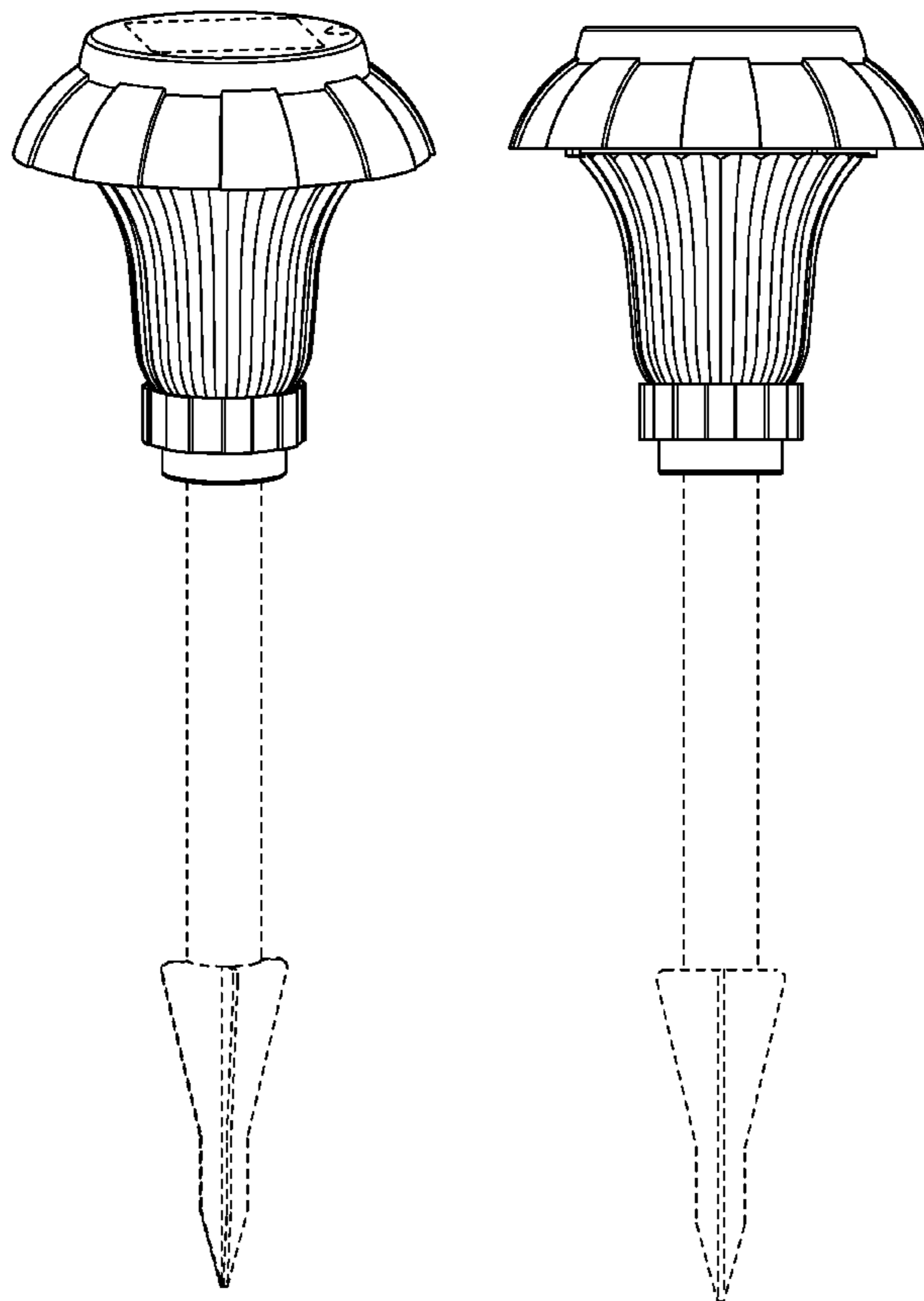
FIG. 2 is a side elevation view thereof, the left, right, front and back side elevation views being the same.

FIG. 3 is a top plan view thereof; and,

FIG. 4 is a bottom plan view thereof.

The broken lines shown on the drawings represent environment only and form no part of the claim.

**1 Claim, 3 Drawing Sheets**



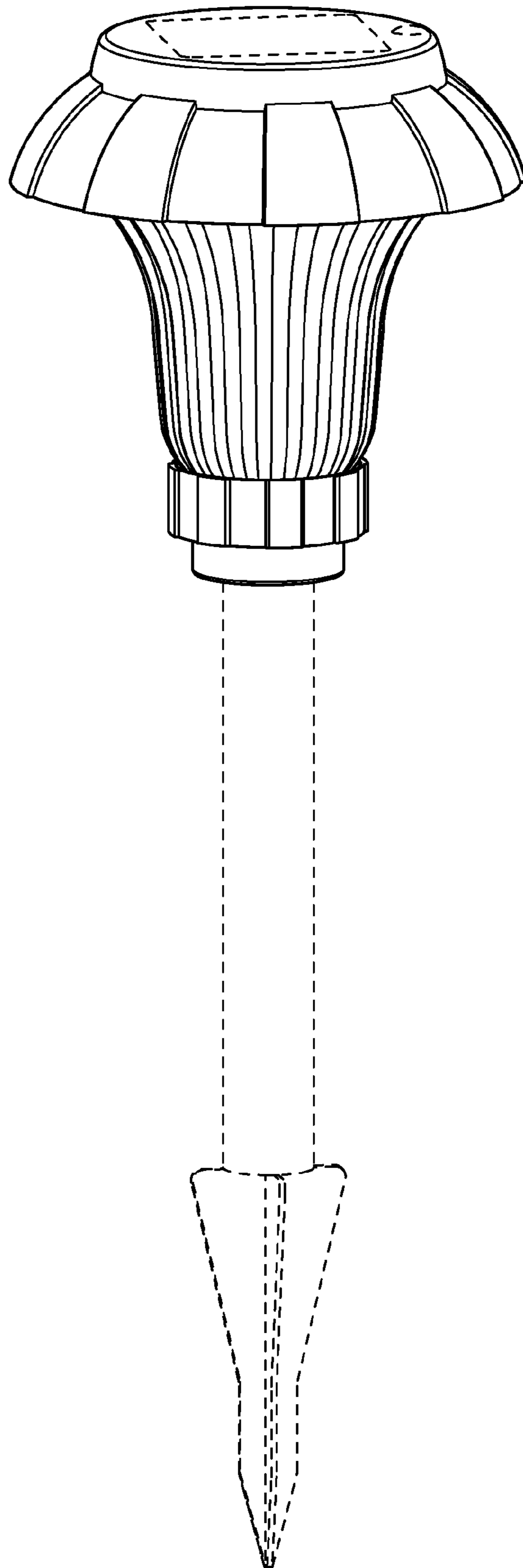


FIG. 1

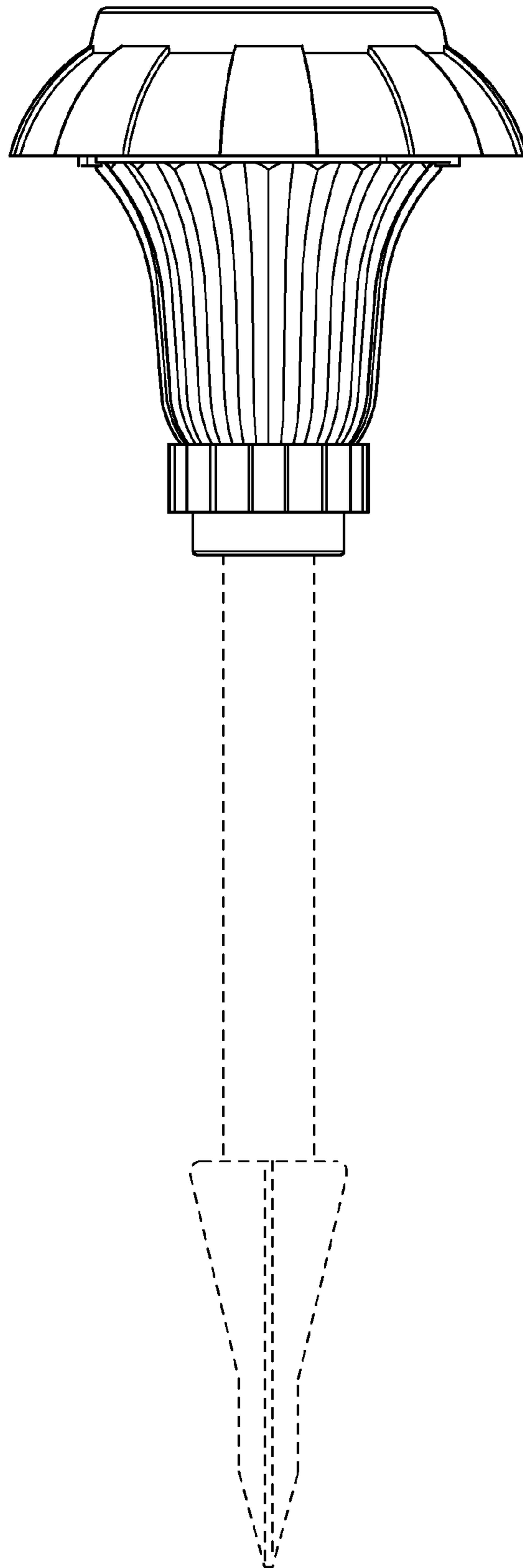


FIG. 2

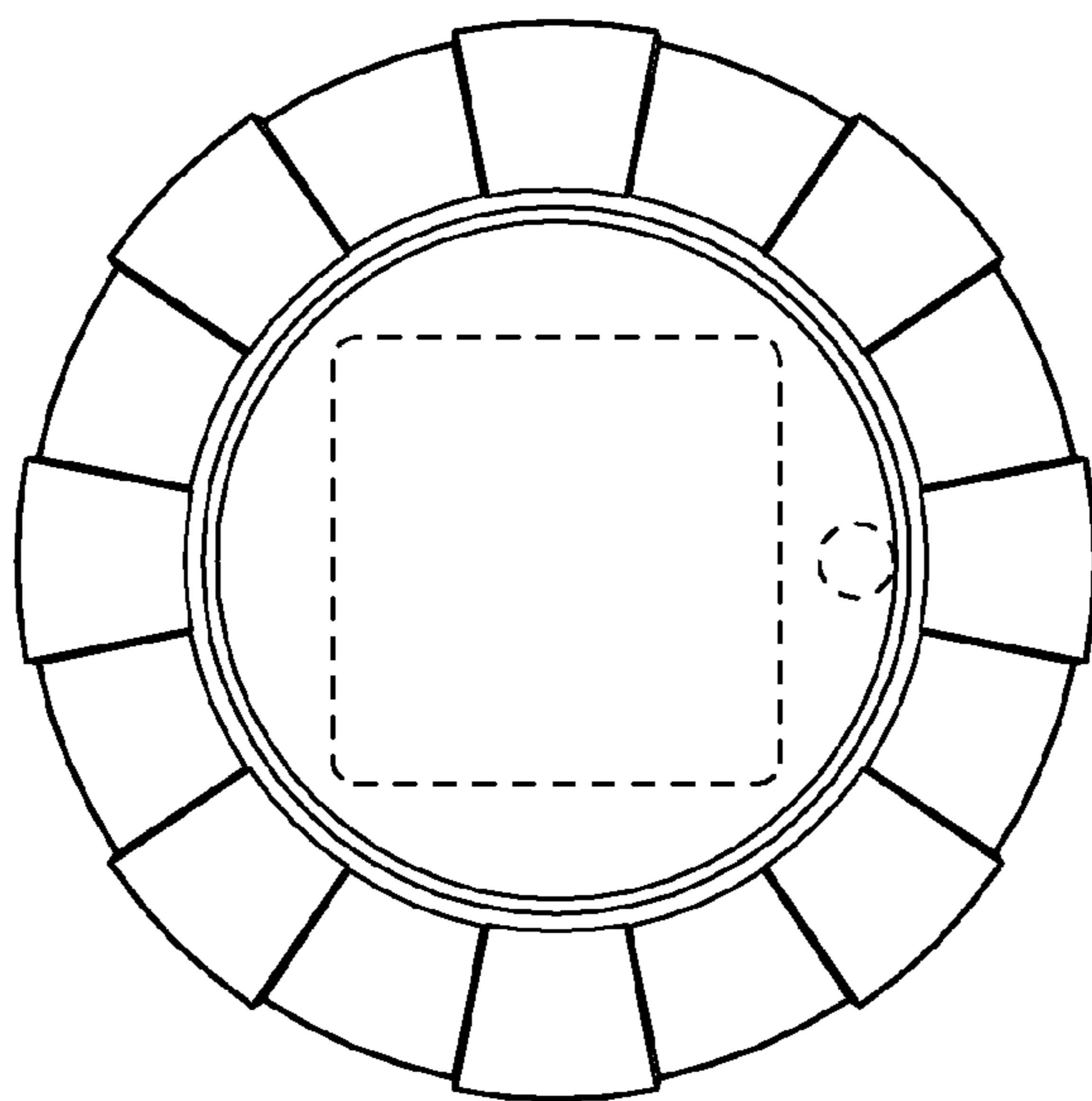


FIG. 3

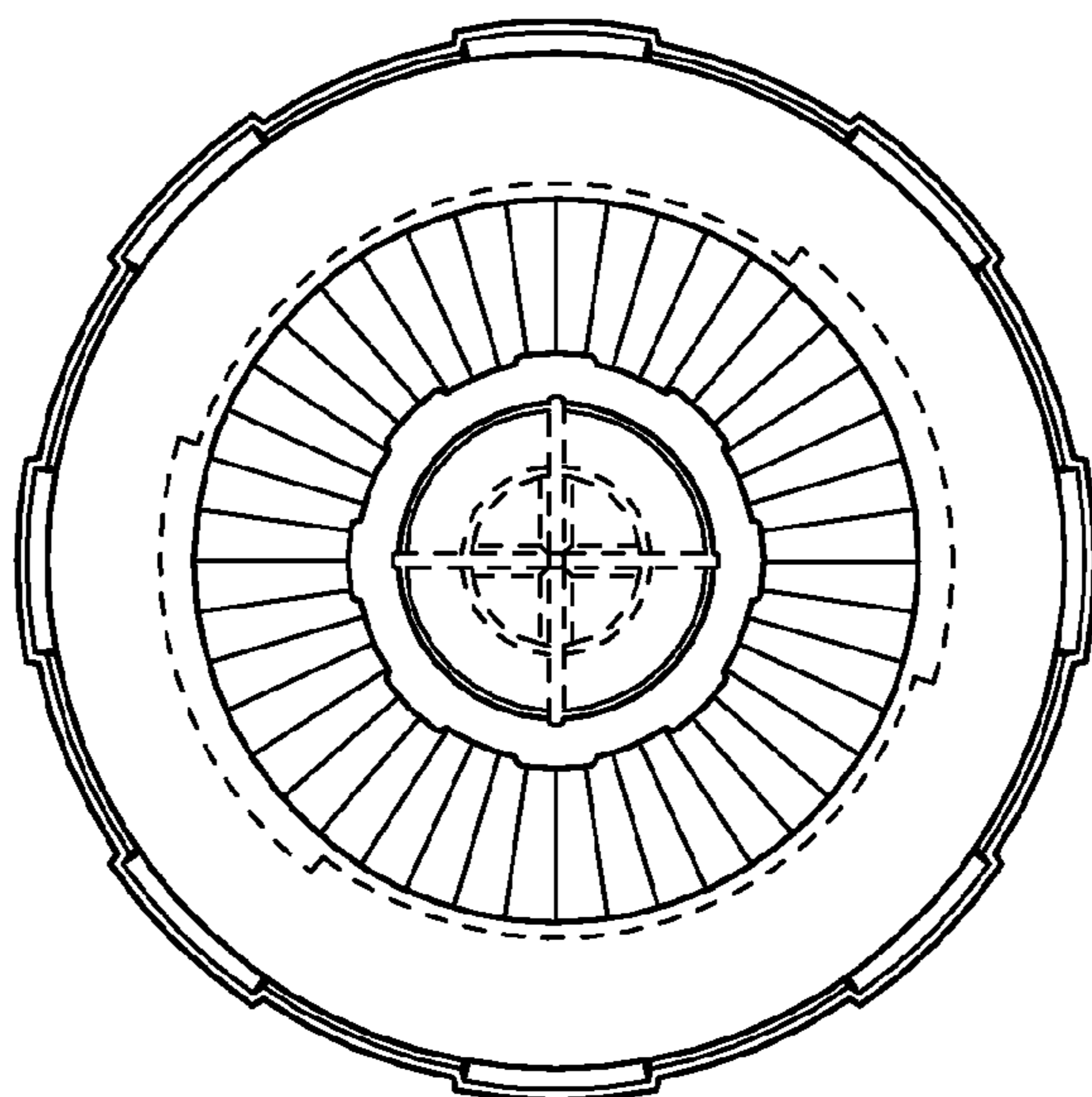


FIG. 4