



US00D604438S

(12) **United States Design Patent**
Thomson et al.

(10) **Patent No.:** **US D604,438 S**
(45) **Date of Patent:** **** Nov. 17, 2009**

(54) **PILLOW LAMP**

(75) Inventors: **John Matthew Thomson**, Tampa, FL (US); **Kelly Martelli**, Tampa, FL (US); **Kelly Shea Keuthe**, Lutz, FL (US)

(73) Assignee: **Ottlite Technologies, Inc.**, Tampa, FL (US)

(**) Term: **14 Years**

(21) Appl. No.: **29/337,174**

(22) Filed: **May 15, 2009**

(51) **LOC (9) Cl.** **26-05**

(52) **U.S. Cl.** **D26/51; D6/601**

(58) **Field of Classification Search** D26/37, D26/38, 39, 43, 46, 47, 51; 362/157, 158, 362/184, 194-196, 200-208; D6/595-599, D6/601, 604

See application file for complete search history.

(56) **References Cited**

U.S. PATENT DOCUMENTS

D124,296 S *	12/1940	Thompson	D6/601
D255,966 S *	7/1980	Stadel	D6/604
6,038,720 A *	3/2000	Matthews et al.	5/639
6,434,770 B2 *	8/2002	Matthews Brown	5/636
6,532,612 B2 *	3/2003	Matthews Brown	5/655.3
6,658,681 B2 *	12/2003	Britto et al.	5/655

D490,923 S *	6/2004	Costa et al.	D26/39
D522,300 S *	6/2006	Roberts	D6/601
D546,709 S *	7/2007	Brooks	D10/2
D571,942 S *	6/2008	Christianson	D26/39
D574,981 S *	8/2008	Mattheis	D26/37
D590,198 S *	4/2009	Nostrant	D6/601
D590,530 S *	4/2009	Tsai	D26/51
2009/0007335 A1 *	1/2009	Tidwell	5/652

* cited by examiner

Primary Examiner—Ian Simmons

Assistant Examiner—Carissa C Fitts

(74) *Attorney, Agent, or Firm*—Christopher Paradies; Fowler White Boggs P.A.

(57) **CLAIM**

The ornamental design for a pillow lamp, as shown and described.

DESCRIPTION

FIG. 1 is a front elevational view of a pillow lamp showing our new design;

FIG. 2 is a left side elevational view thereof;

FIG. 3 is a right side elevational view thereof;

FIG. 4 is a rear elevational view thereof;

FIG. 5 is a bottom plan view thereof; and,

FIG. 6 is a top plan view.

1 Claim, 4 Drawing Sheets

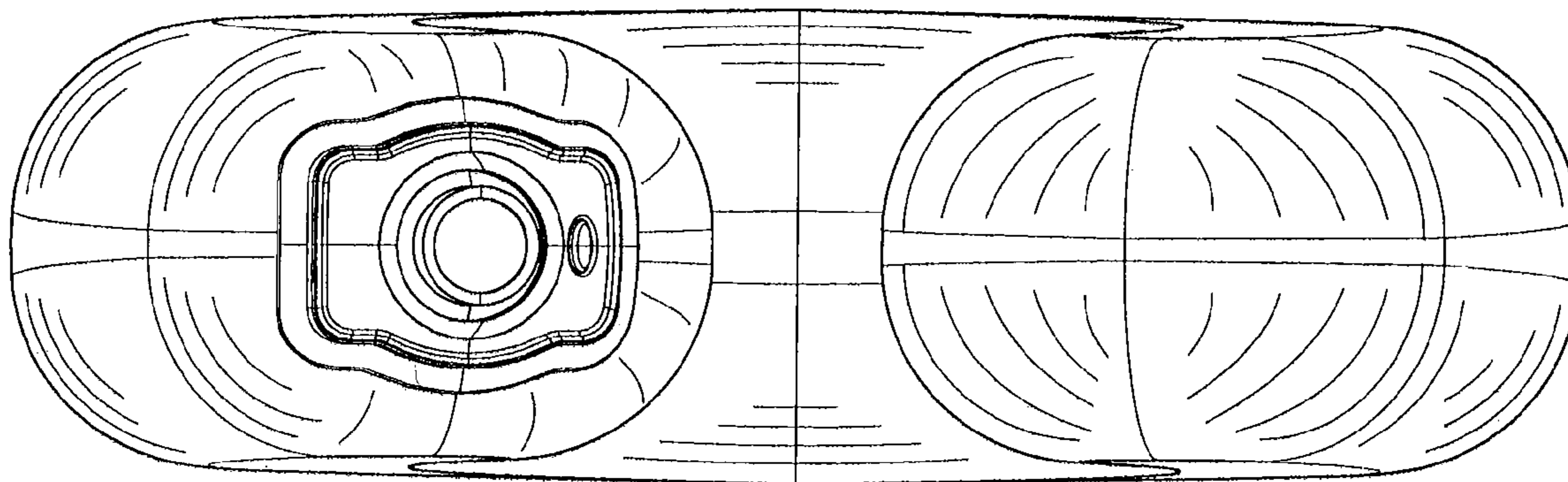


FIG. 1

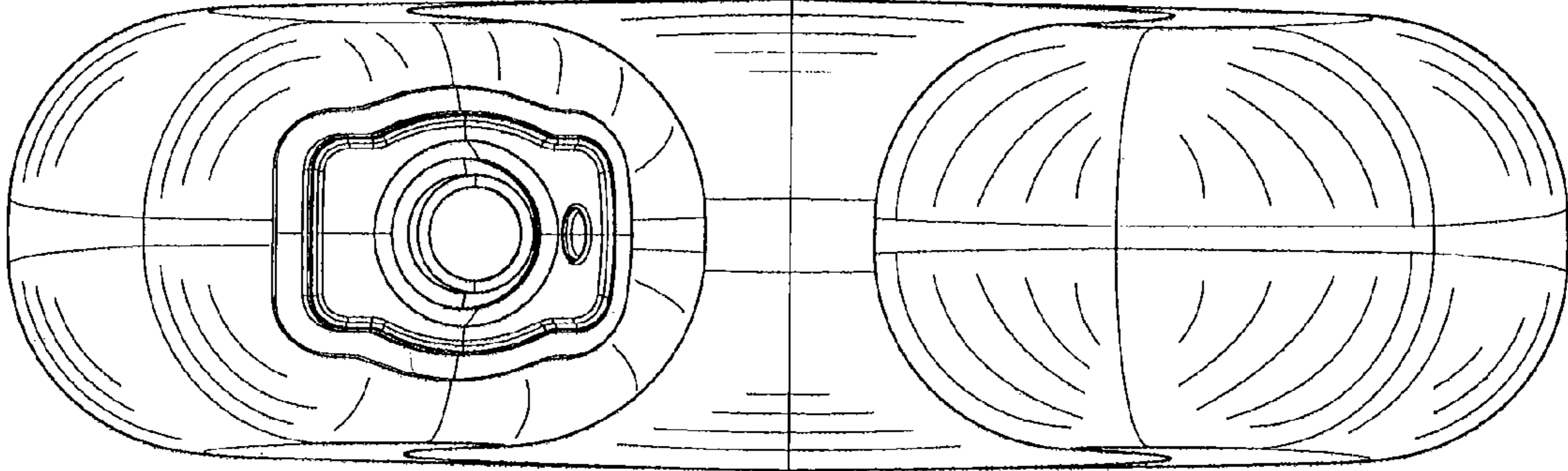


FIG. 2

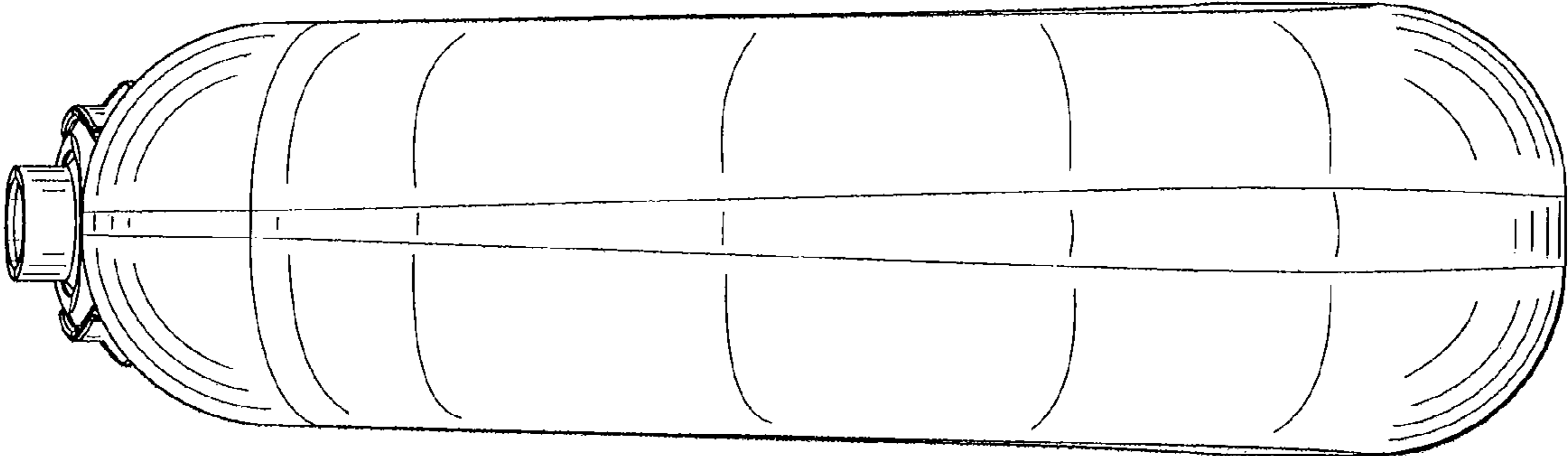


FIG. 3

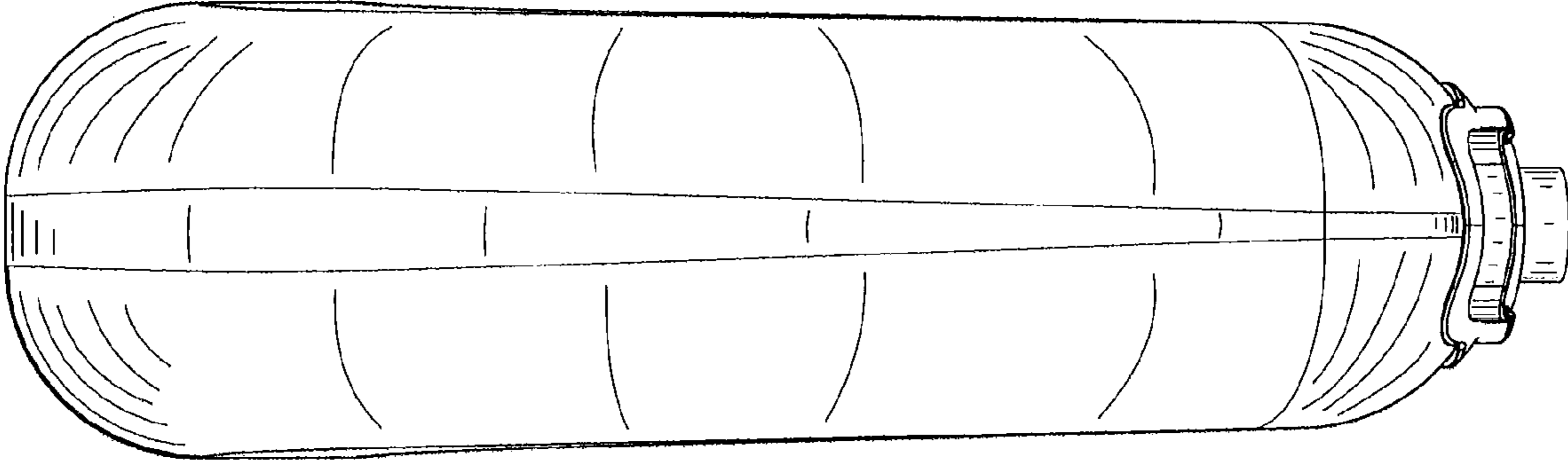
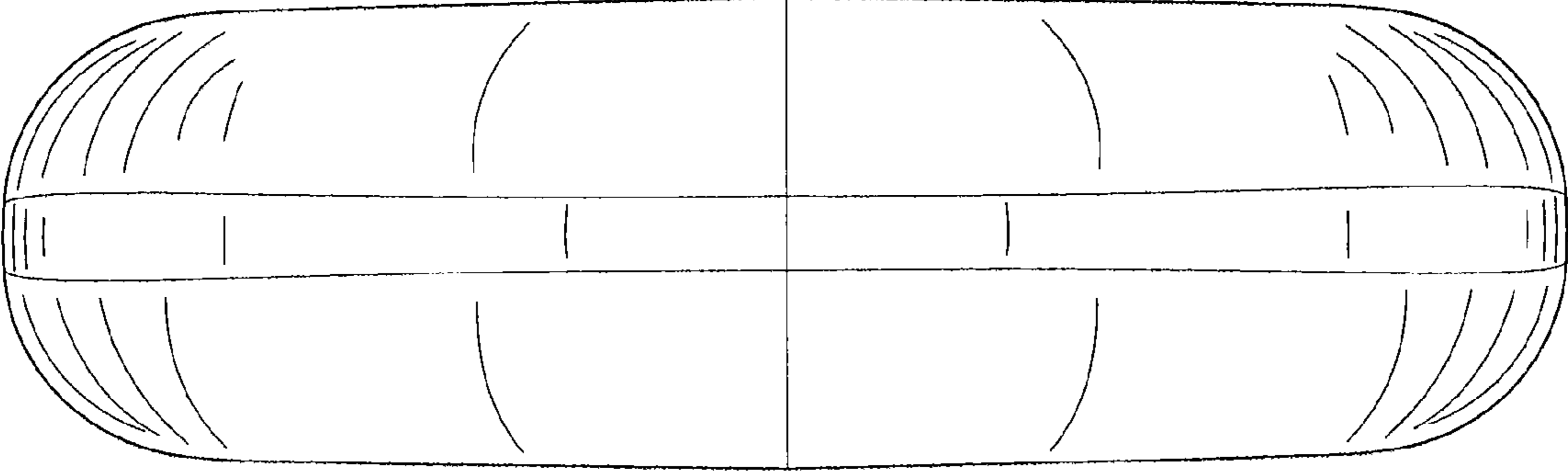


FIG. 4



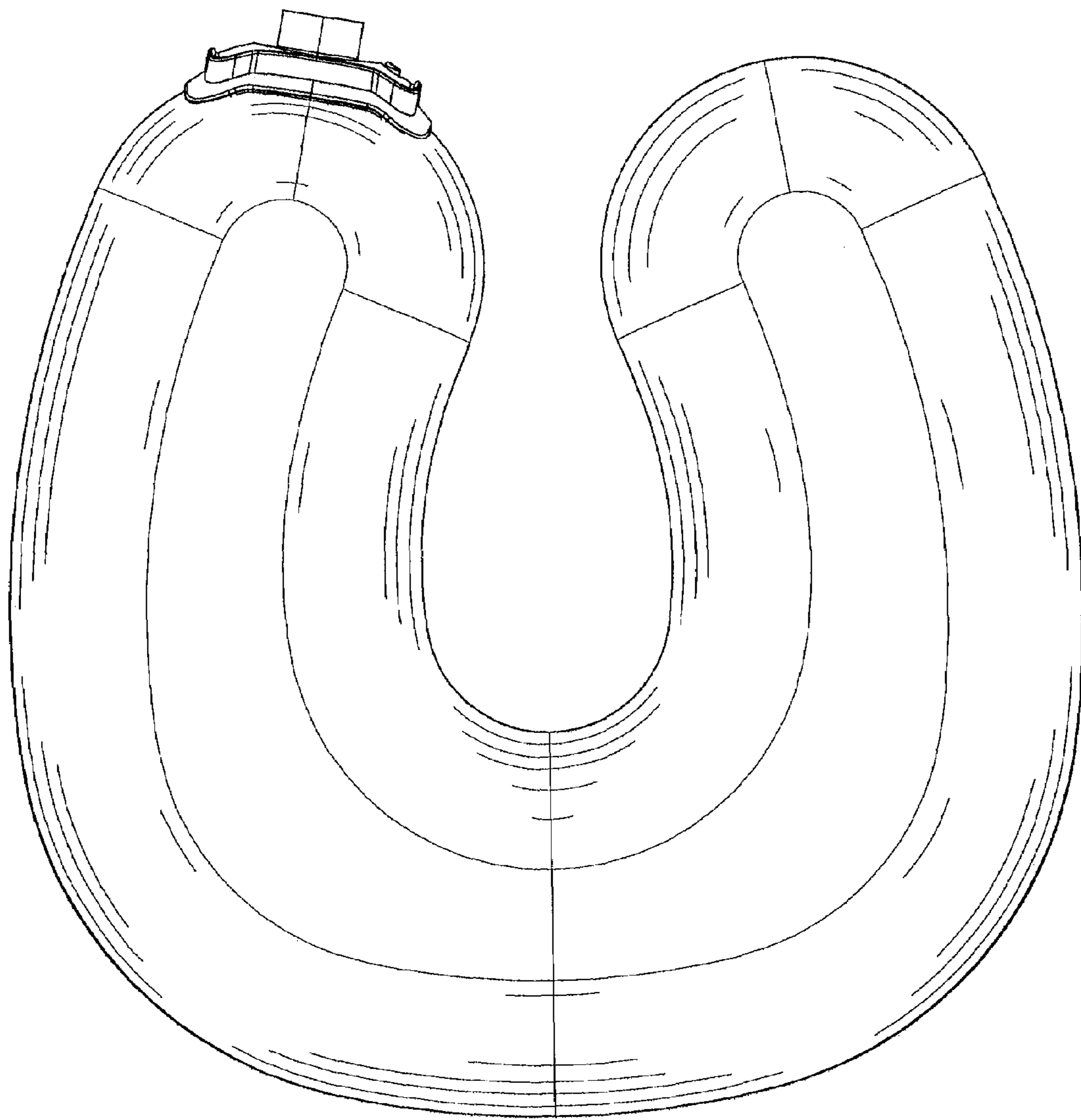


FIG. 5

FIG. 6

