



US00D604437S

(12) **United States Design Patent**
Yang

(10) **Patent No.:** **US D604,437 S**
(45) **Date of Patent:** **** Nov. 17, 2009**

- (54) **FLASHLIGHT DESIGNS**
 - (75) Inventor: **Rich Yang**, Las Vegas, NV (US)
 - (73) Assignee: **JS Products, Inc.**, Las Vegas, NV (US)
 - (**) Term: **14 Years**
 - (21) Appl. No.: **29/325,512**
 - (22) Filed: **Oct. 1, 2008**
 - (51) **LOC (9) Cl.** **26-02**
 - (52) **U.S. Cl.** **D26/49**
 - (58) **Field of Classification Search** D26/37,
D26/46, 49, 48, 50; 362/157, 158, 184, 190,
362/194, 195, 200-208
- See application file for complete search history.

5,267,131 A	11/1993	Anthony
5,293,307 A	3/1994	Maglica
5,314,494 A	5/1994	Maglica
5,349,506 A	9/1994	Maglica
D351,675 S	10/1994	Sharrah et al.
5,390,091 A	2/1995	Maglica
5,410,237 A	4/1995	Sharrah et al.
5,432,689 A	7/1995	Sharrah et al.
5,455,752 A	10/1995	Maglica et al.
5,485,360 A	1/1996	Maglica
5,486,432 A	1/1996	Sharrah et al.
5,515,246 A	5/1996	Maglica
5,528,472 A	6/1996	Maglica et al.
5,548,495 A	8/1996	Maglica
5,593,222 A	1/1997	Maglica
5,660,363 A	8/1997	Maglica
5,667,185 A	9/1997	Maglica

(Continued)

(56) **References Cited**
U.S. PATENT DOCUMENTS

4,286,311 A	8/1981	Maglica
D263,170 S	2/1982	Maglica
4,388,673 A	6/1983	Maglica
4,527,223 A	7/1985	Maglica
4,577,263 A	3/1986	Maglica
4,656,565 A	4/1987	Maglica
4,658,338 A	4/1987	Maglica
4,819,141 A	4/1989	Maglica
4,843,298 A	6/1989	Brauch et al.
4,851,974 A	7/1989	Maglica
D303,107 S	8/1989	Maglica
4,864,474 A	9/1989	Maglica
4,899,265 A	2/1990	Maglica
4,942,505 A	7/1990	Maglica
5,003,440 A	3/1991	Maglica
5,008,785 A	4/1991	Maglica
5,113,326 A	5/1992	Foster et al.
5,121,308 A	6/1992	Maglica
5,143,441 A	9/1992	Maglica
5,158,358 A	10/1992	Maglica
5,165,782 A	11/1992	Maglica
5,207,502 A	5/1993	Maglica
5,226,722 A	7/1993	Maglica
5,260,858 A	11/1993	Maglica
5,267,130 A	11/1993	Maglica

OTHER PUBLICATIONS

United States Trademark Registration No. 2,074,795.

(Continued)

Primary Examiner—Ian Simmons
Assistant Examiner—Carissa C Fitts
(74) *Attorney, Agent, or Firm*—Luce, Forward, Hamilton, Scripps; Technology Law Group; Peter Jon Gluck

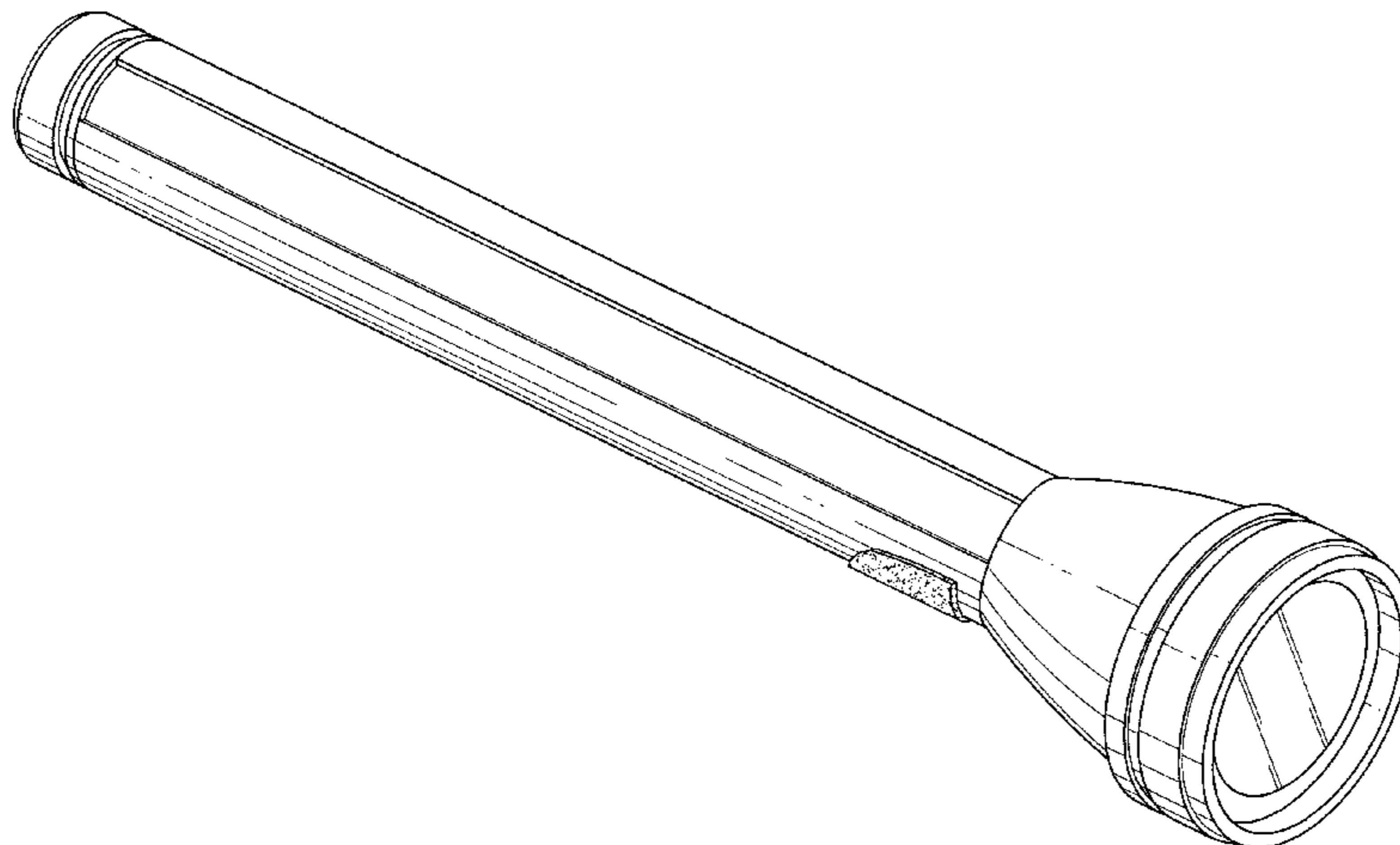
(57) **CLAIM**

The ornamental design for flashlight, as shown.

DESCRIPTION

FIG. 1 is a perspective view of a flashlight showing my new design;
FIG. 2 is a rear view thereof;
FIG. 3 is a front view thereof;
FIG. 4 is a left side elevational view thereof;
FIG. 5 is a right side elevational view thereof;
FIG. 6 is a top plan view thereof; and,
FIG. 7 is a bottom plan view thereof.

1 Claim, 3 Drawing Sheets



US D604,437 S

Page 2

U.S. PATENT DOCUMENTS

5,684,378 A	11/1997	Furth et al.	6,454,433 B1	9/2002	Alessio
5,722,765 A	3/1998	Maglica	6,457,840 B2	10/2002	Maglica et al.
5,749,645 A	5/1998	Maglica	6,523,972 B2	2/2003	Sharrah
D395,719 S	6/1998	Concari	6,554,449 B2	4/2003	Maglica
D395,722 S	6/1998	Howard et al.	6,575,592 B2	6/2003	Maglica
5,795,675 A	8/1998	Maglica	6,585,391 B1	7/2003	Koch et al.
5,804,331 A	9/1998	Maglica	6,588,917 B1	7/2003	Halasz
5,806,965 A	9/1998	Deese	D480,493 S *	10/2003	Liou D26/49
5,833,354 A	11/1998	Maglica	6,652,115 B2	11/2003	Sharrah
5,836,672 A	11/1998	Maglica	6,659,621 B2	12/2003	Sharrah et al.
5,860,728 A	1/1999	Maglica	6,722,772 B2	4/2004	Maglica
5,865,526 A	2/1999	Maglica	6,773,152 B2	5/2004	Maglica
5,871,272 A	2/1999	Sharrah et al.	6,802,624 B2	10/2004	Maglica
5,957,567 A	9/1999	Kish et al.	6,802,625 B2	10/2004	Maglica
6,012,824 A	1/2000	Sharrah et al.	D498,865 S	11/2004	Mah
6,086,219 A	7/2000	Maglica	6,814,463 B2	11/2004	Mele
6,135,611 A	10/2000	Maglica	6,817,730 B2	11/2004	Sharrah et al.
6,145,997 A	11/2000	Sedovic et al.	6,905,223 B2	6/2005	Halasz
D435,127 S *	12/2000	Suzuki et al. D26/49	D513,642 S *	1/2006	Zhang D26/49
6,168,288 B1	1/2001	St. Claire	6,991,360 B2	1/2006	Maglica
6,170,960 B1	1/2001	Maglica	7,001,041 B2	2/2006	Halasz et al.
6,179,438 B1	1/2001	Parker	7,001,043 B2	2/2006	Maglica
6,183,105 B1	2/2001	Parker	7,004,042 B2	2/2006	Grundmann et al.
6,186,641 B1	2/2001	Parker	D523,163 S	6/2006	Man
6,193,388 B1	2/2001	Halasz et al.	7,070,296 B2	7/2006	Maglica
6,193,389 B1	2/2001	Maglica	D530,438 S	10/2006	Maglica
RE37,092 E	3/2001	Sharrah et al.	D530,439 S	10/2006	Maglica
6,196,898 B1	3/2001	Maglica	7,125,140 B2	10/2006	Koch et al.
6,206,549 B1	3/2001	Li	D533,290 S	12/2006	Lo et al.
D442,308 S *	5/2001	Chiu D26/49	D542,448 S *	5/2007	Wang D26/49
6,250,771 B1	6/2001	Sharrah et al.	D544,123 S	6/2007	Galli
6,296,368 B1	10/2001	Mag	D553,776 S *	10/2007	Liu D26/49
6,345,900 B2	2/2002	Maglica	2006/0012006 A1	6/2006	West
6,354,715 B1	3/2002	Halasz et al.			
6,361,183 B1	3/2002	Maglica			
6,428,182 B1	8/2002	Maglica			

OTHER PUBLICATIONS

United States Trademark Registration No. 2,887,693.

* cited by examiner

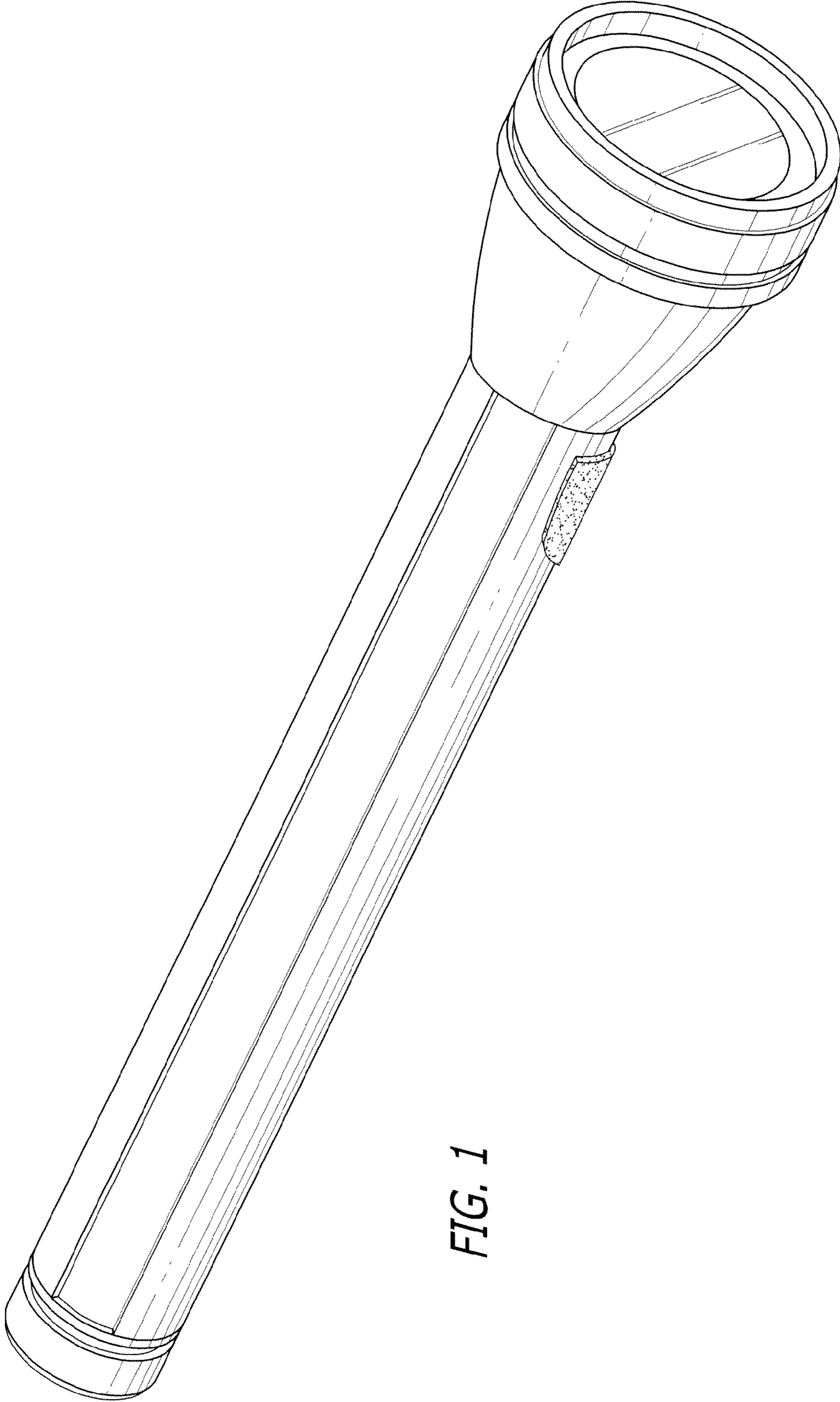


FIG. 1

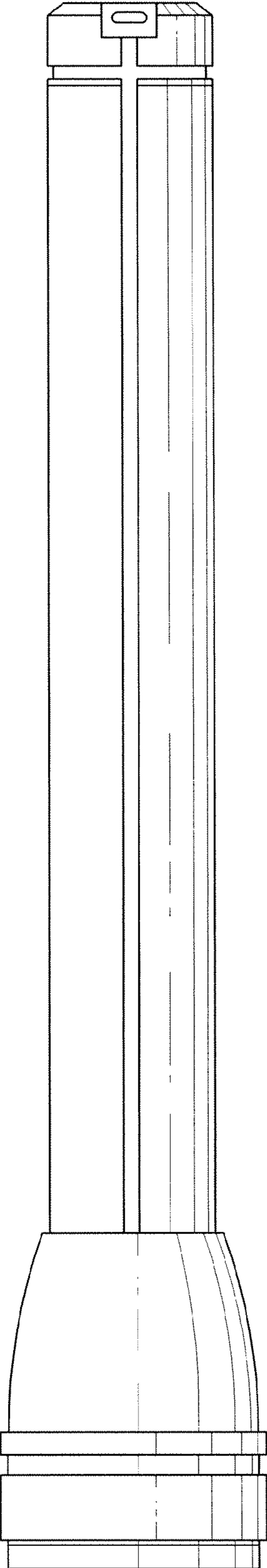


FIG. 2

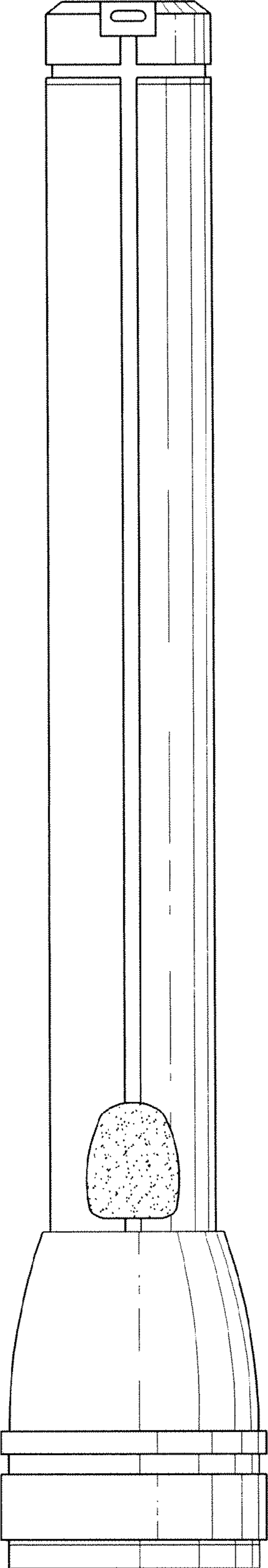


FIG. 3

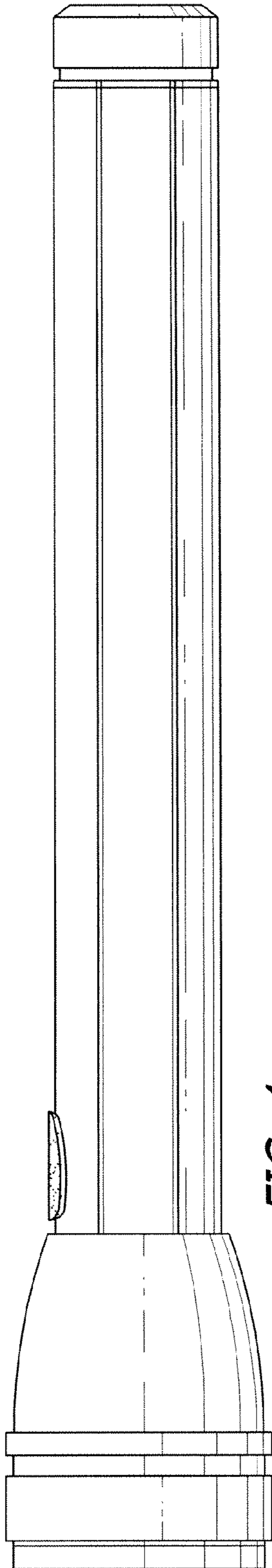


FIG. 4

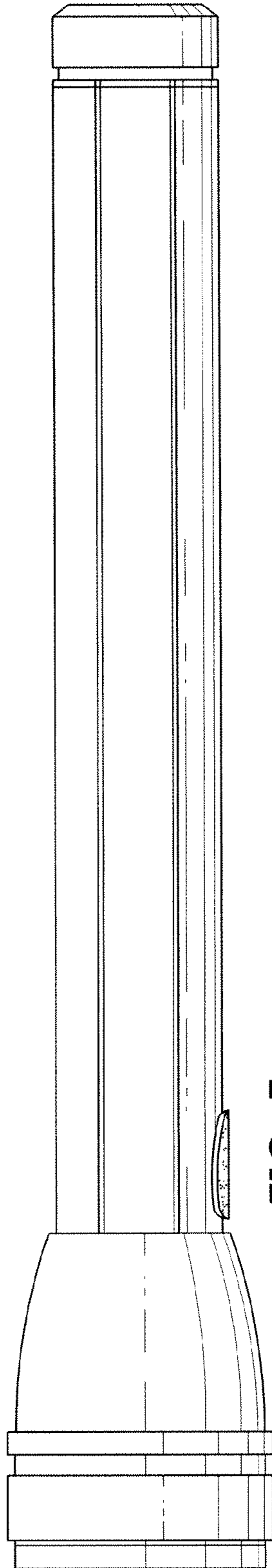


FIG. 5

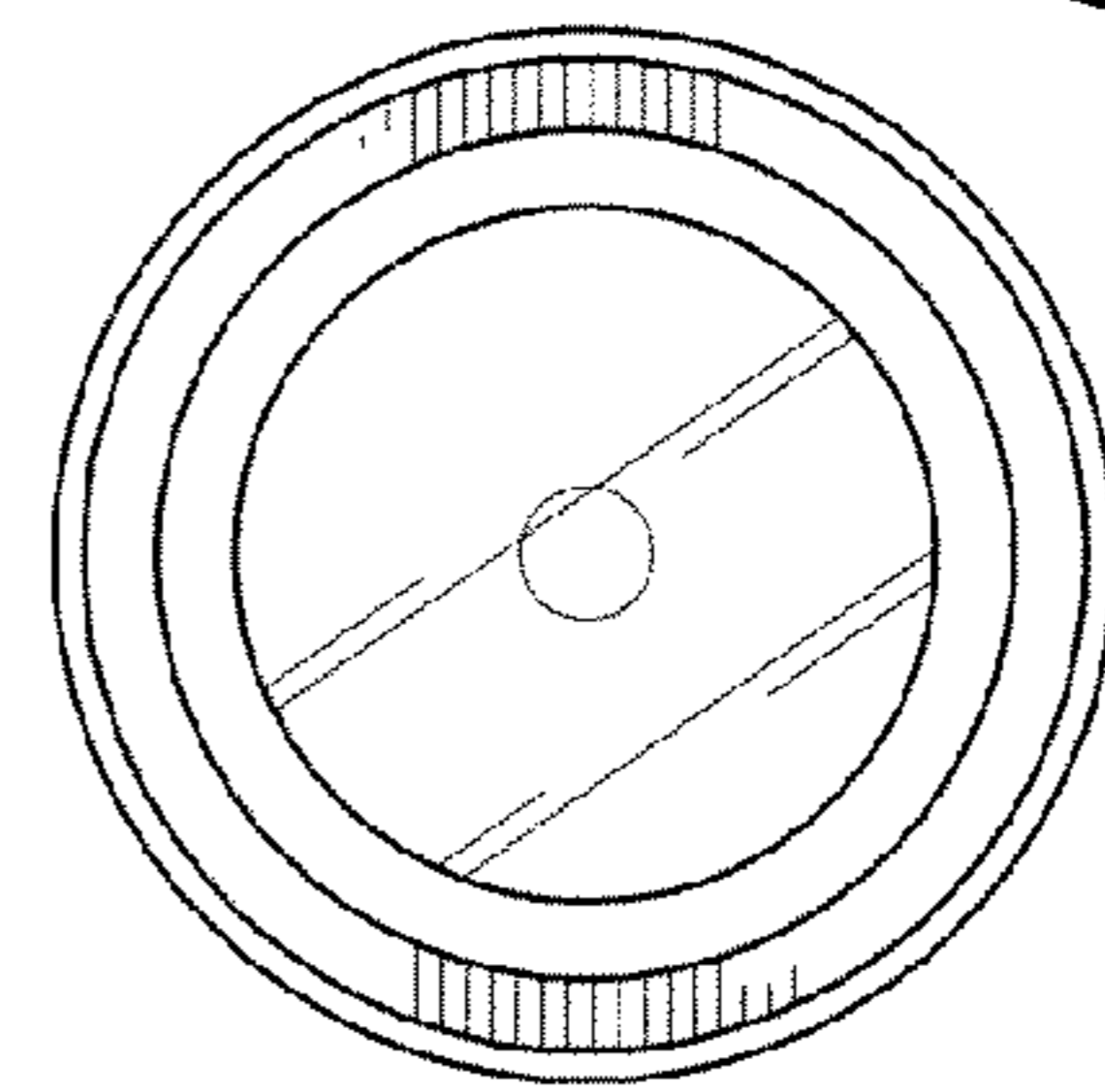


FIG. 6

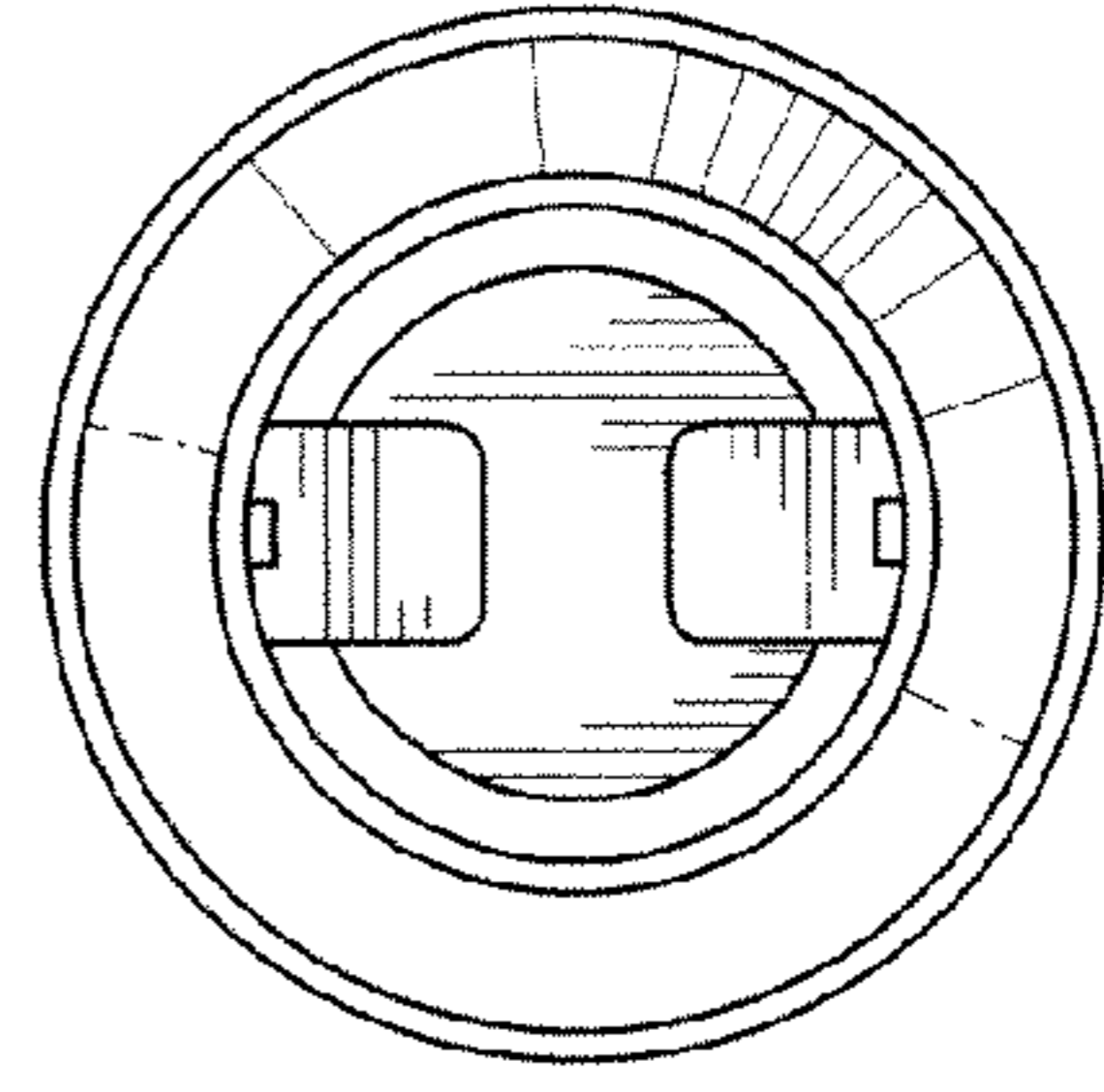


FIG. 7