

US00D604436S

(12) **United States Design Patent**
Poon

(10) **Patent No.:** **US D604,436 S**

(45) **Date of Patent:** **** Nov. 17, 2009**

(54) **LANTERN**

(75) Inventor: **Tit Wing Poon**, New Territories (HK)

(73) Assignee: **Flying Dragon Development Limited**,
New Territories (HK)

(**) Term: **14 Years**

(21) Appl. No.: **29/325,338**

(22) Filed: **Sep. 29, 2008**

(30) **Foreign Application Priority Data**

May 22, 2008 (HK) 0801394

(51) **LOC (9) Cl.** **26-02**

(52) **U.S. Cl.** **D26/40**

(58) **Field of Classification Search** D26/37-40;
362/157, 158, 171-173, 183, 186, 194, 208
See application file for complete search history.

(56) **References Cited**

U.S. PATENT DOCUMENTS

D190,674 S	6/1961	Hoenisch et al.	
D424,726 S	5/2000	Petterson et al.	
D429,354 S *	8/2000	Petterson D26/40
D433,762 S *	11/2000	Yuen D26/40
D443,088 S	5/2001	Skidmore et al.	
D462,469 S	9/2002	Poon	
D468,039 S	12/2002	Poon	
D483,892 S	12/2003	Poon	
D485,928 S	1/2004	Leung et al.	
D486,931 S	2/2004	Lee	
D486,932 S	2/2004	Dario et al.	
D487,809 S	3/2004	Leung et al.	
D491,302 S	6/2004	Krieger et al.	

D505,216 S	5/2005	Chen	
D509,920 S	9/2005	Fritz et al.	
D509,921 S	9/2005	Lam	
D521,167 S	5/2006	Krieger et al.	
D524,968 S	7/2006	Poon	
D542,953 S	5/2007	Lee	
D546,488 S	7/2007	Poon	
D546,991 S	7/2007	Poon et al.	
D553,774 S *	10/2007	Leung et al. D26/40
D556,928 S	12/2007	Poon et al.	
D559,418 S *	1/2008	Poon D26/40
D576,329 S	9/2008	Poon	

* cited by examiner

Primary Examiner—Ian Simmons

Assistant Examiner—Carissa C Fitts

(74) *Attorney, Agent, or Firm*—Intellectual Property Law
Group LLP; Juneko Jackson; Otto O. Lee

(57) **CLAIM**

The ornamental design for a lantern, as shown and described.

DESCRIPTION

FIG. 1 is a top perspective view of a lantern embodying my new design;

FIG. 2 is a bottom perspective view thereof;

FIG. 3 is a right side view thereof;

FIG. 4 is a left side view thereof;

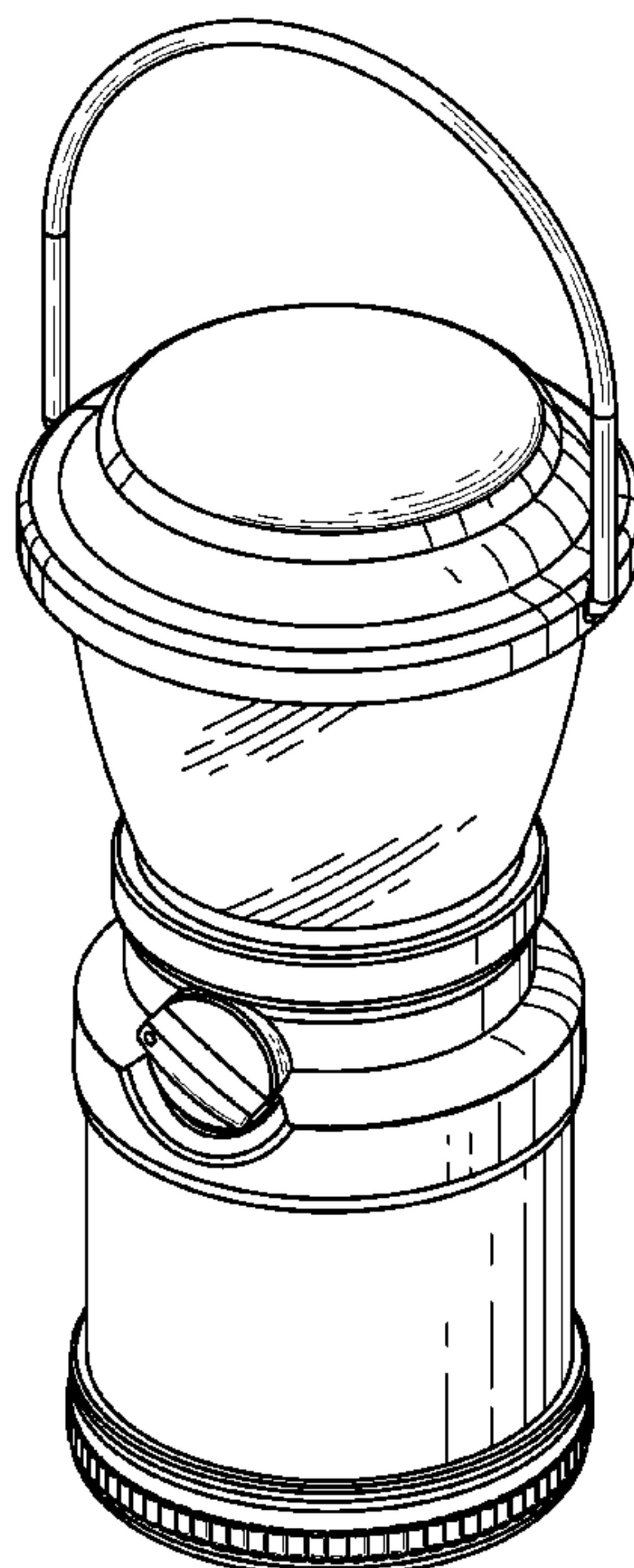
FIG. 5 is a top plan view thereof;

FIG. 6 is a bottom plan view thereof;

FIG. 7 is a front view thereof; and,

FIG. 8 is a back view thereof.

1 Claim, 4 Drawing Sheets



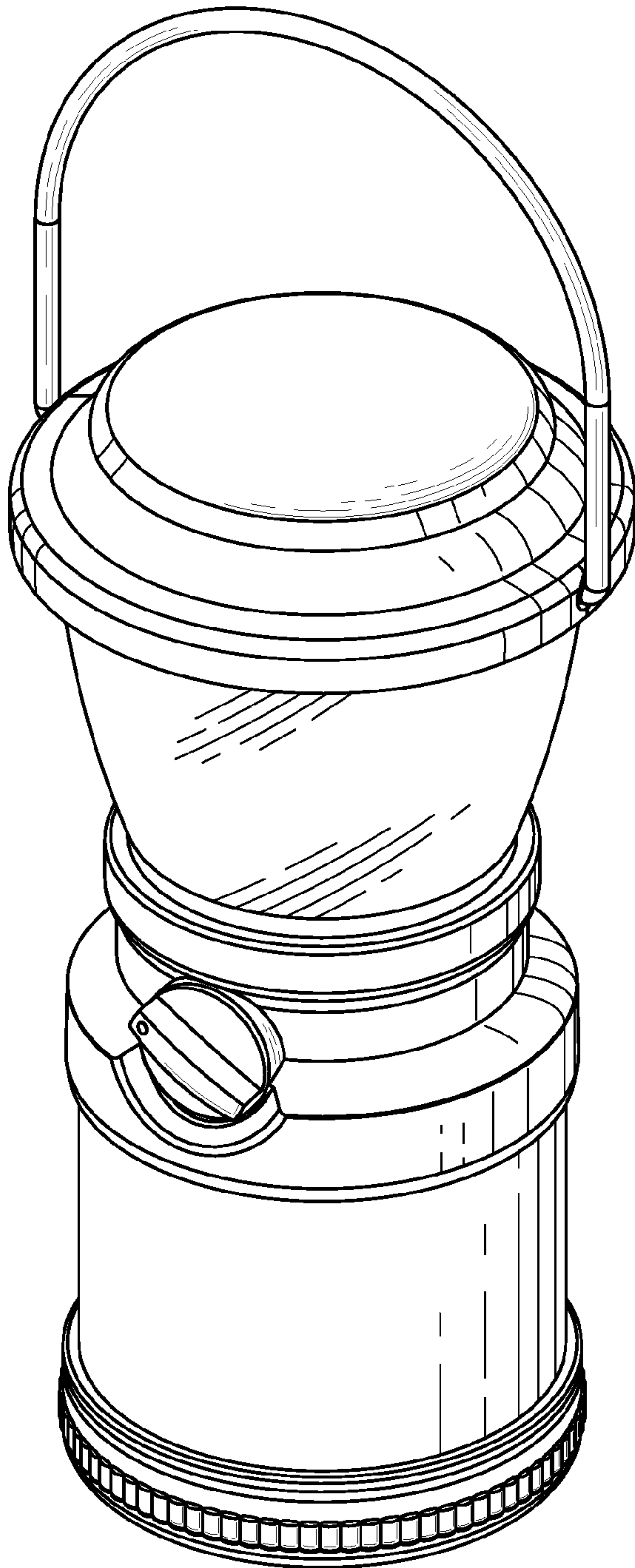


FIG. 1

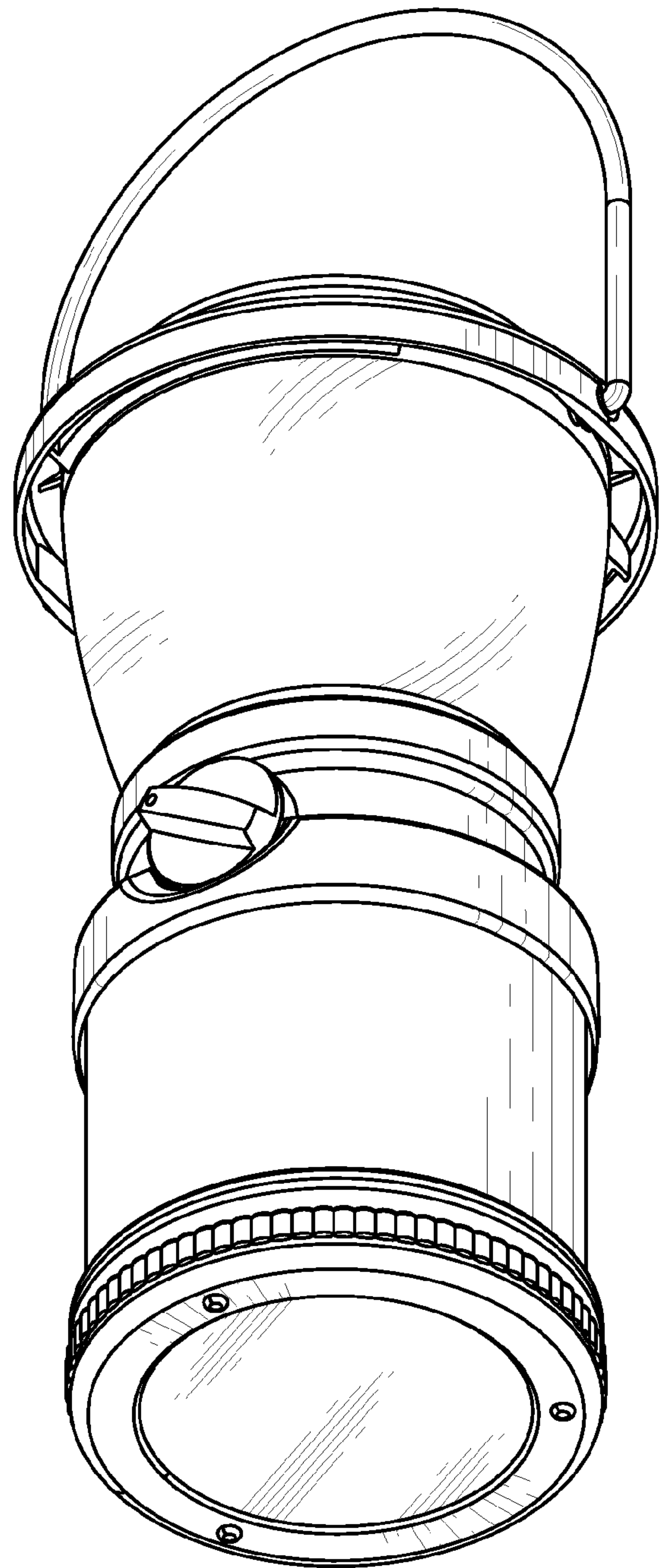


FIG. 2

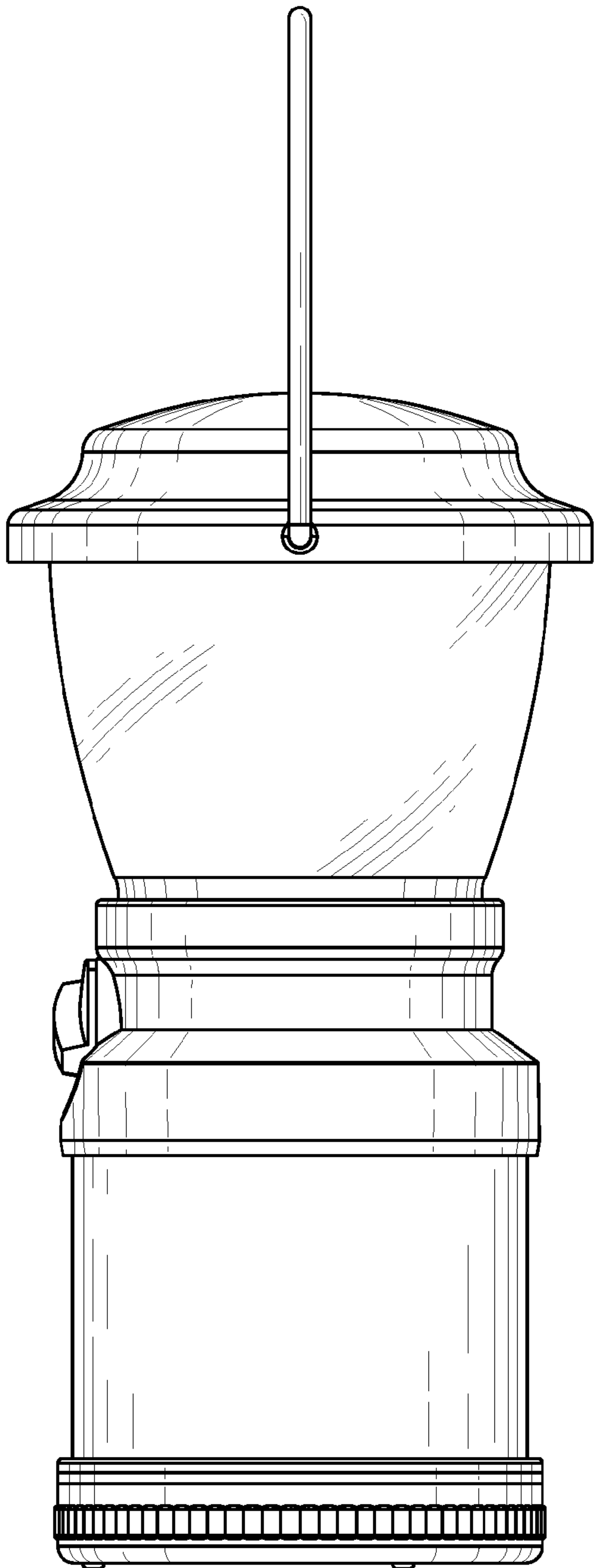


FIG. 3

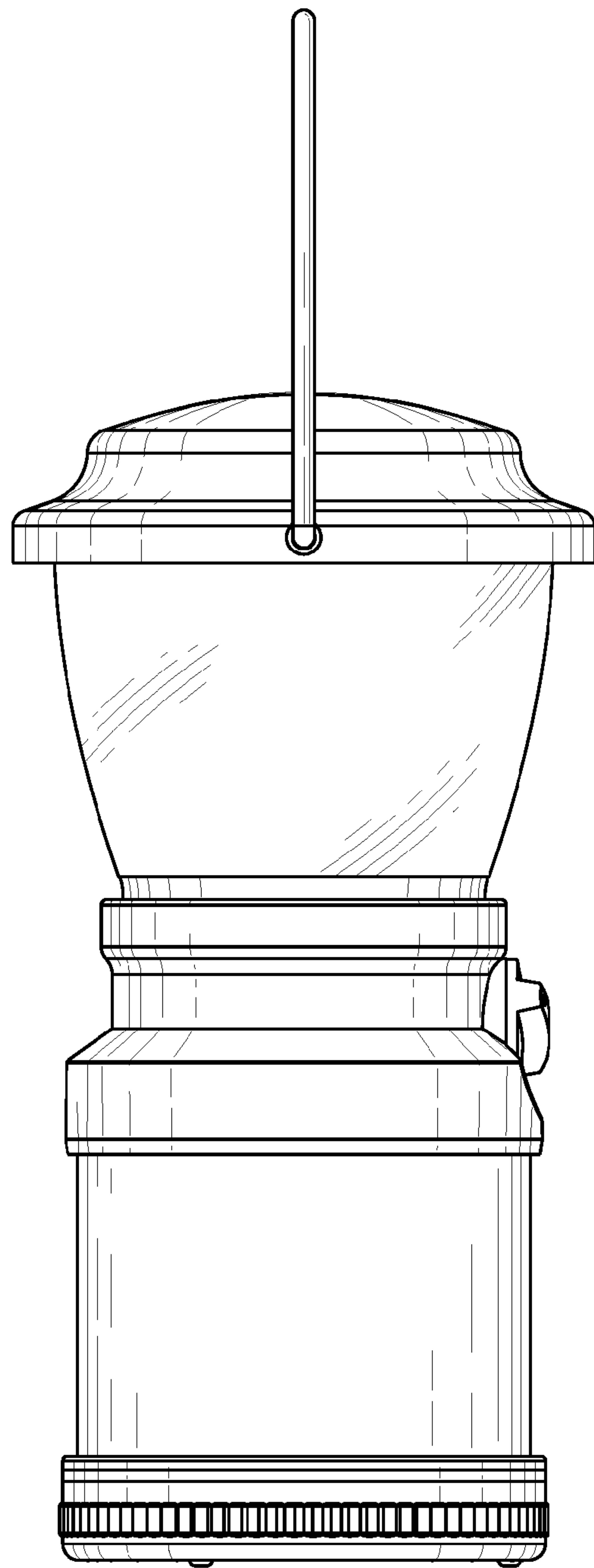


FIG. 4

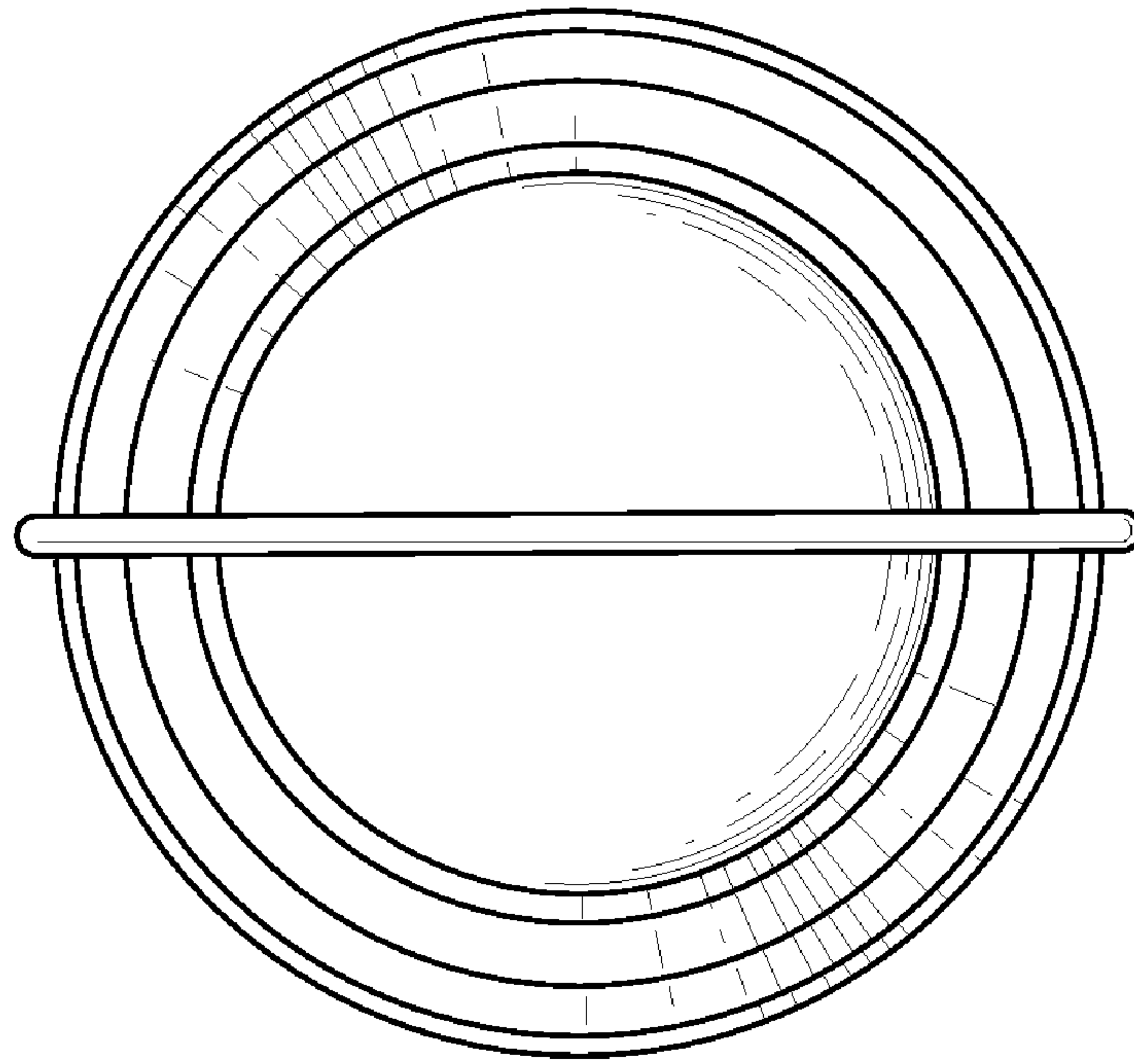


FIG. 5

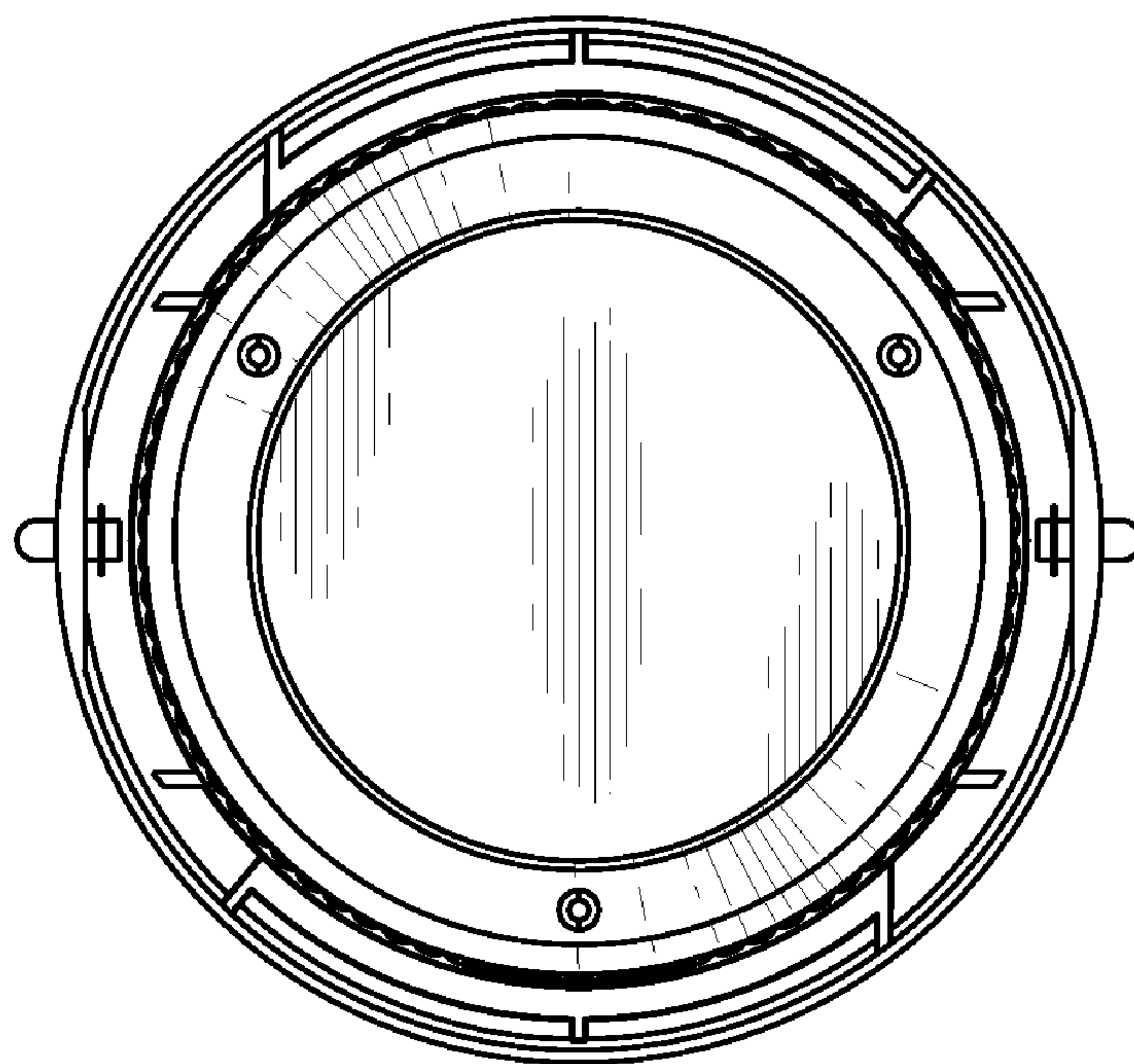


FIG. 6

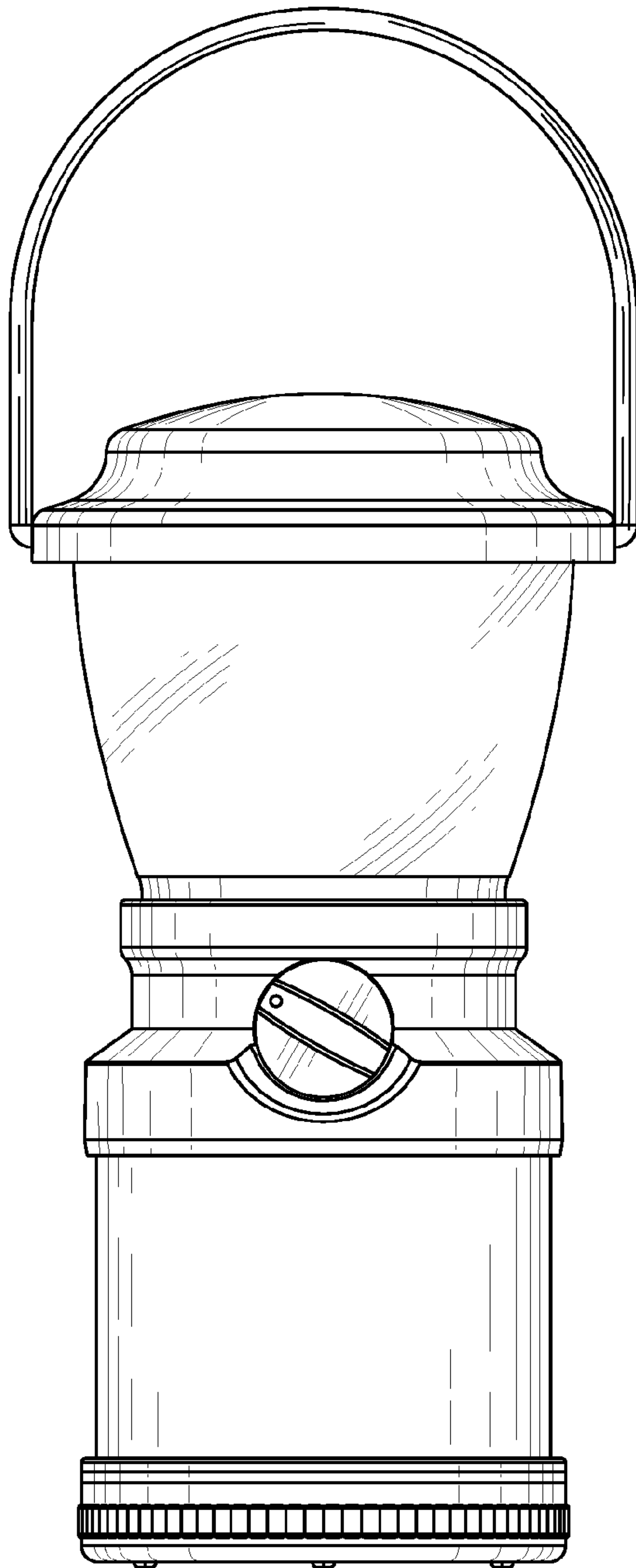


FIG. 7

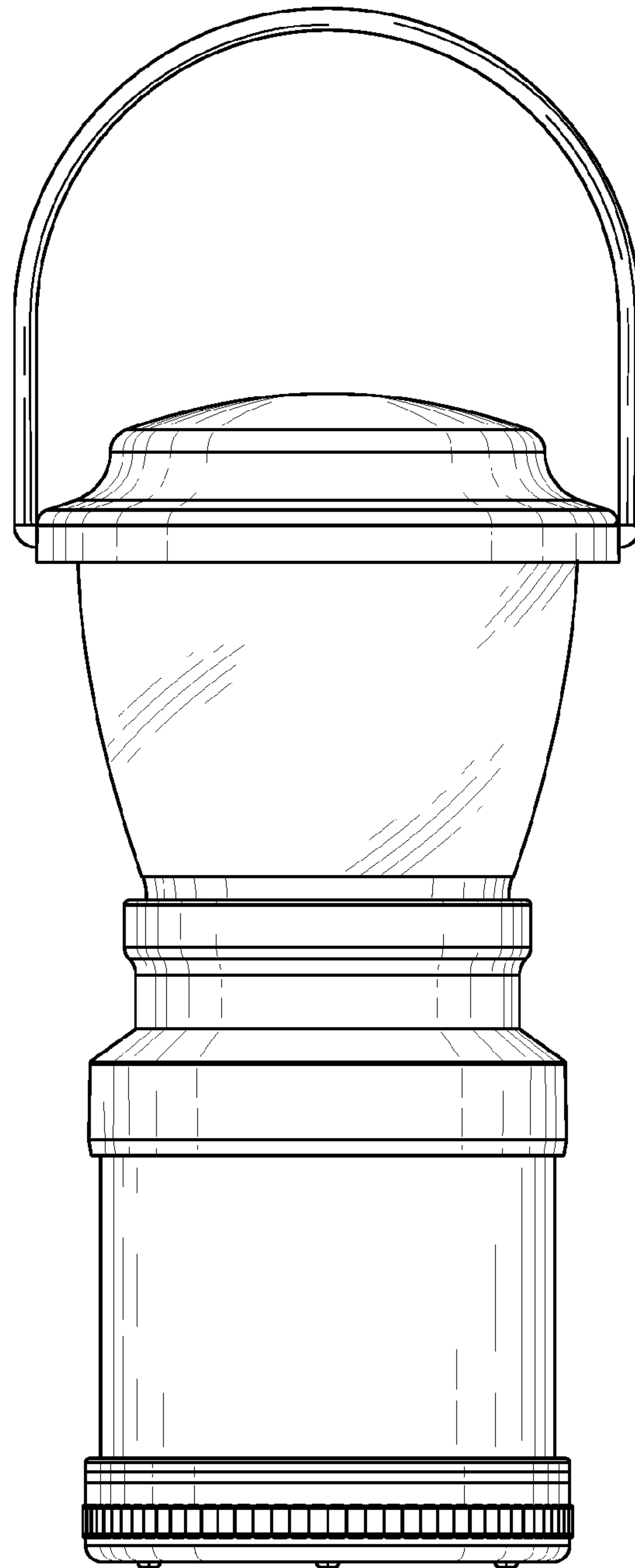


FIG. 8