



US00D604433S

(12) **United States Design Patent**
Fifield et al.

(10) **Patent No.:** **US D604,433 S**

(45) **Date of Patent:** **** Nov. 17, 2009**

(54) **NOTCHED MISSION ROOF TILE**

GB 2178773 2/1987

(75) Inventors: **John A. Fifield**, Aylesbury (GB); **Brian Austin**, Casa Grande, AZ (US); **Jason Rhees**, Castle Rock, CO (US); **David Skierkowski**, Rio Rancho, NM (US); **Michael McVey**, Casa Grande, AZ (US)

(Continued)

OTHER PUBLICATIONS

Westile Roofing Products - <http://web.archive.org/web/20070613054119/http://www.westile.com/newconstr.asp>—1 pg.

(73) Assignee: **Oldcastle Architectural, Inc.**, Atlanta, GA (US)

(Continued)

Primary Examiner—Catherine R Oliver

(**) Term: **14 Years**

(74) *Attorney, Agent, or Firm*—Kilpatrick Stockton LLP; Camilla C. Williams; Tiffany L. Williams

(21) Appl. No.: **29/317,331**

(57) **CLAIM**

(22) Filed: **Apr. 28, 2008**

The ornamental design for a notched mission roof tile, as shown and described.

(51) **LOC (9) Cl.** **25-01**

(52) **U.S. Cl.** **D25/141**

(58) **Field of Classification Search** D25/140, D25/138–139, 141; 52/518–519, 520, 529, 52/537, 542, 545–546, 554–555, 557, 559–560, 52/592.1, 592.5

DESCRIPTION

See application file for complete search history.

FIG. 1 shows a top perspective view of a notched mission tile according to the present invention.

FIG. 2 shows a bottom perspective view of the notched mission tile of FIG. 1.

(56) **References Cited**

U.S. PATENT DOCUMENTS

479,442 A	7/1892	Marvick	
522,879 A *	7/1894	Cohen, S.K.	52/519
2,510,416 A	6/1950	Pretty	
2,624,298 A	1/1953	Farren	
3,309,831 A	3/1967	Misch, A. et al.	
3,440,777 A	4/1969	Martin et al.	
D218,540 S *	8/1970	Powell	D25/140

FIG. 3 shows a left side view of the notched mission tile of FIG. 1.

FIG. 4 shows a front view of the notched mission tile of FIG. 1.

FIG. 5 shows a right side view of the notched mission tile of FIG. 1.

FIG. 6 shows a rear view of the notched mission tile of FIG. 1.

FIG. 7 shows a top view of the notched mission tile of FIG. 1; and,

(Continued)

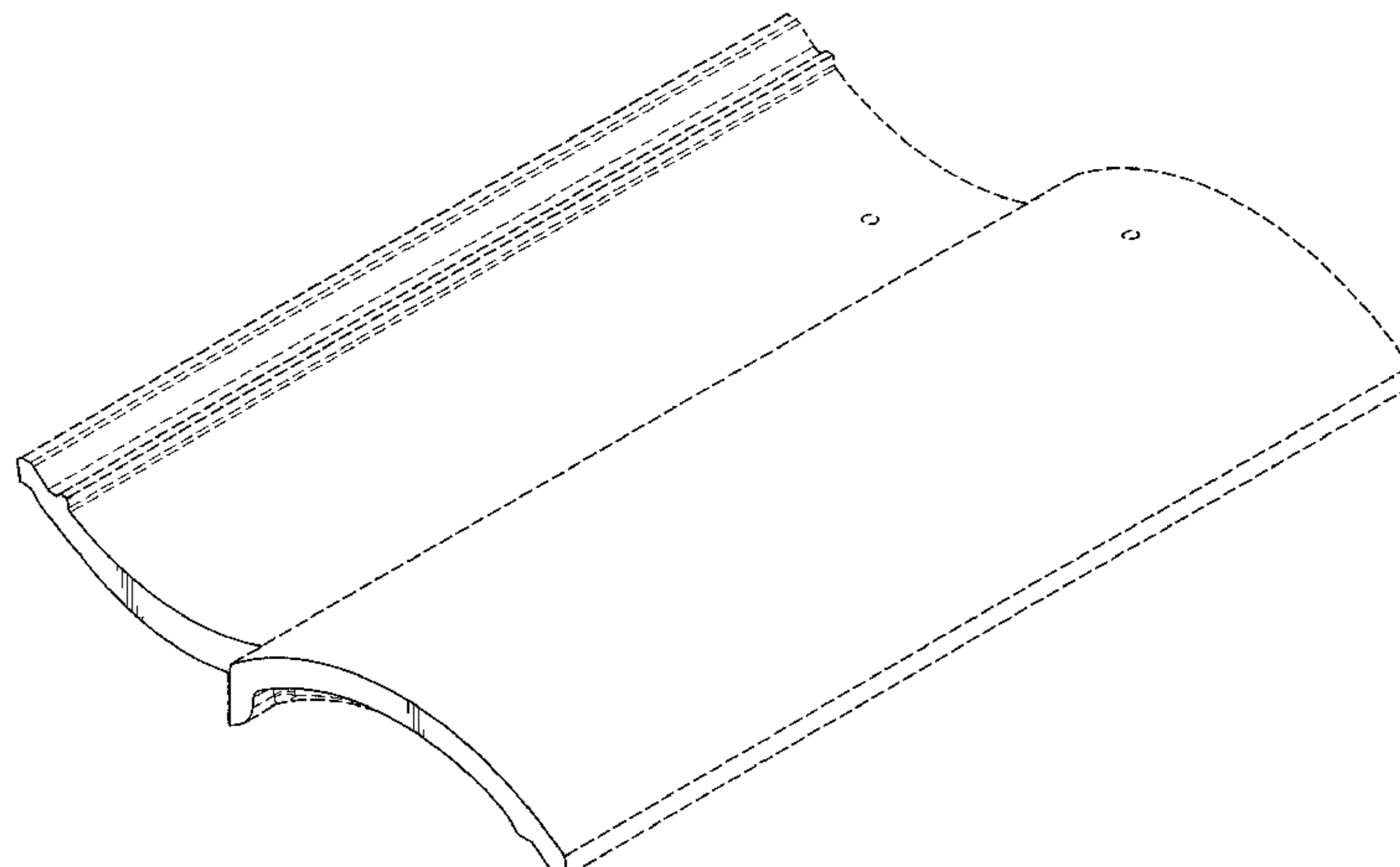
FOREIGN PATENT DOCUMENTS

DE	93888	11/1972
EP	0095420	11/1983
EP	0175500	3/1986
FR	1259641	3/1961
GB	416649	9/1934
GB	2046808	11/1980

FIG. 8 shows a bottom view of the notched mission tile of FIG. 1.

Portions or features of the notched mission tile shown in broken lines in the drawings form no part of the claimed design. Portions or features of the notched mission tile absent in the drawings form no part of the claimed design.

1 Claim, 6 Drawing Sheets



US D604,433 S

Page 2

U.S. PATENT DOCUMENTS

4,084,365 A * 4/1978 Read 52/529
4,731,969 A 3/1988 Baker et al.
4,752,520 A 6/1988 Franklin
D302,732 S 8/1989 Ferland et al.
4,901,496 A 2/1990 Fritz et al.
4,959,250 A 9/1990 McKinnon
4,975,303 A 12/1990 McKinnon
5,070,671 A 12/1991 Fifield et al.
D338,541 S 8/1993 Fifield
5,268,028 A 12/1993 Fifield
D356,873 S 3/1995 Bamber et al.
5,490,360 A 2/1996 Fifield et al.
5,502,940 A 4/1996 Fifield
5,743,059 A 4/1998 Fifield
D435,121 S 12/2000 Bamber et al.
D446,871 S 8/2001 Thomas
D467,671 S * 12/2002 Suzuki D25/140
D498,546 S * 11/2004 Chuang D25/140
7,060,212 B2 6/2006 Bane et al.
D542,942 S * 5/2007 Wilkinson D25/141

D562,993 S 2/2008 Shepherd et al.
D574,973 S * 8/2008 Simmons D25/140

FOREIGN PATENT DOCUMENTS

WO WO89/06728 7/1989

OTHER PUBLICATIONS

Westile Roofing Products - <http://web.archive.org/web/20061112040042/http://www.westile.com/newconstr.asp>—1 pg .
ICC ES Legacy Report—Legacy report on the 1997 Uniform Building Code™, the 2000 International Building Code®, the 2000 International Residential Code®, and the 1999 Standard Building Code© —Reissued Mar. 1, 2005 (ER-4202)—pp. 1-7.
ES Report —Filing Category: Roof Covering and Roof Deck Construction —Roof Covering —Reissued May 1, 2002 (ER-3909) —pp. 1-3.
ICC ES Legacy Report —Legacy report on the 1997 Uniform Building Code™, the 2000 International Building Code®, the 2000 International Residential Code® (ER-3984) —pp. 1-2.

* cited by examiner

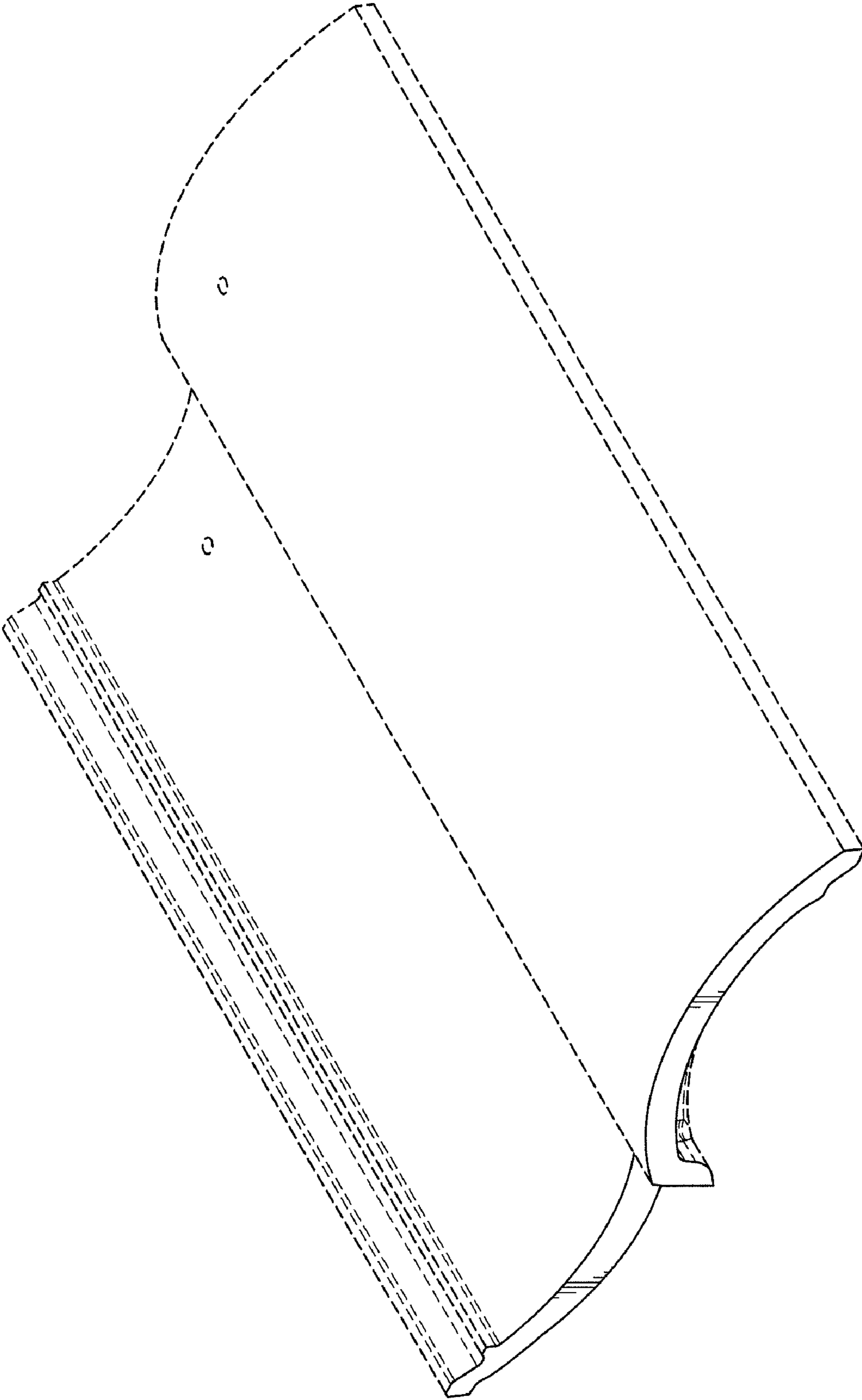


FIG. 1

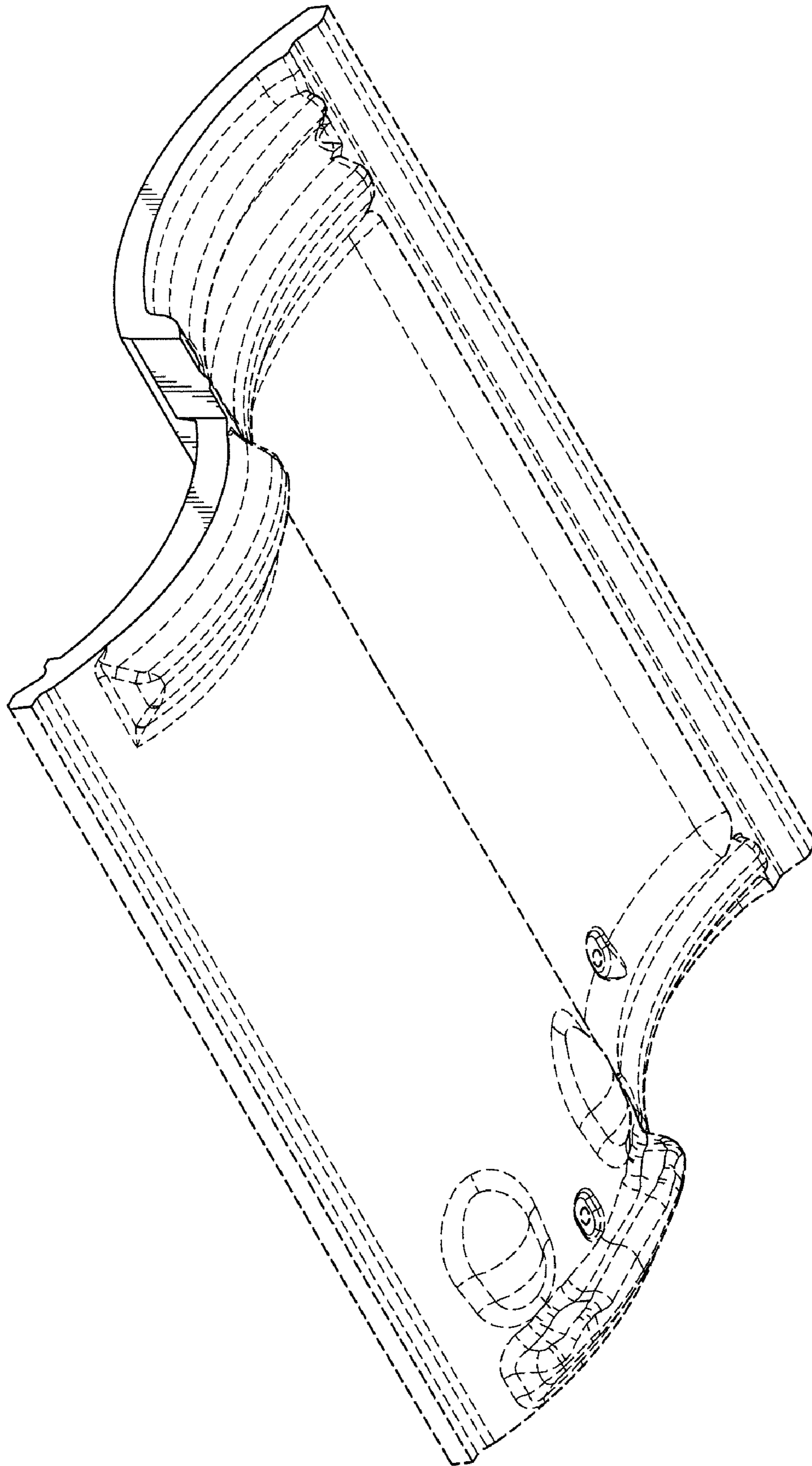


FIG. 2

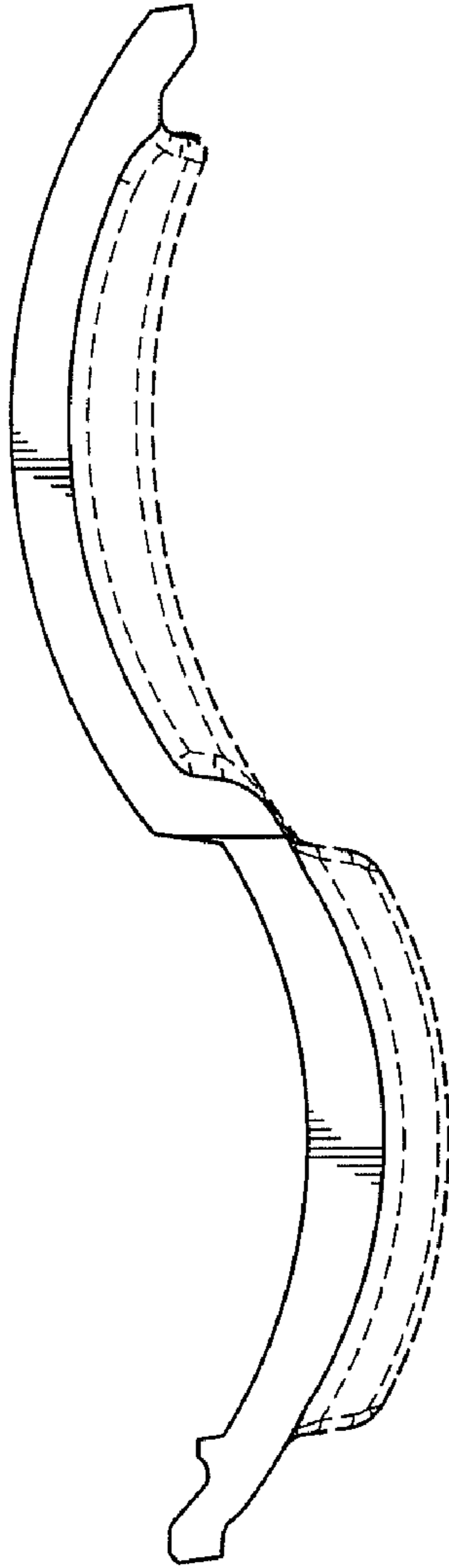


FIG. 3

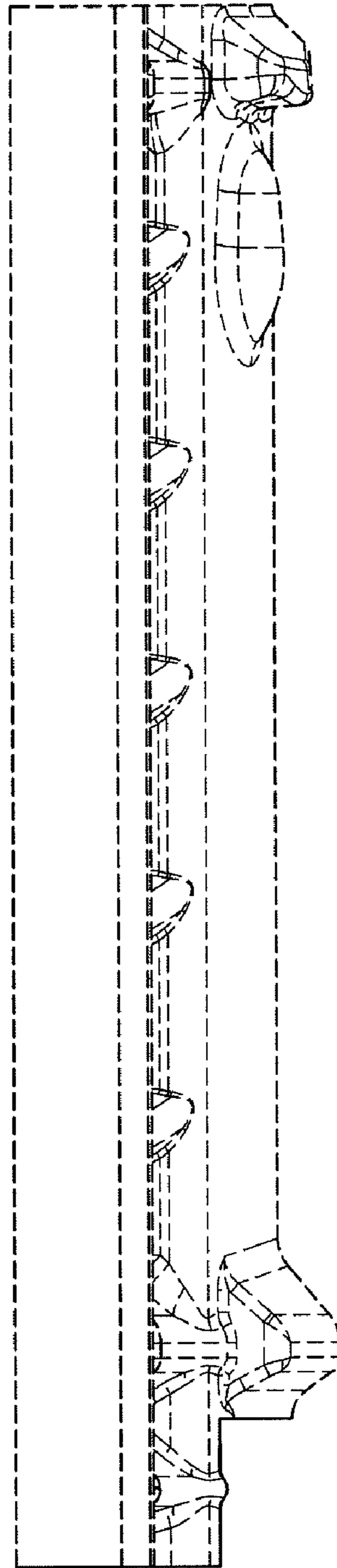


FIG. 4

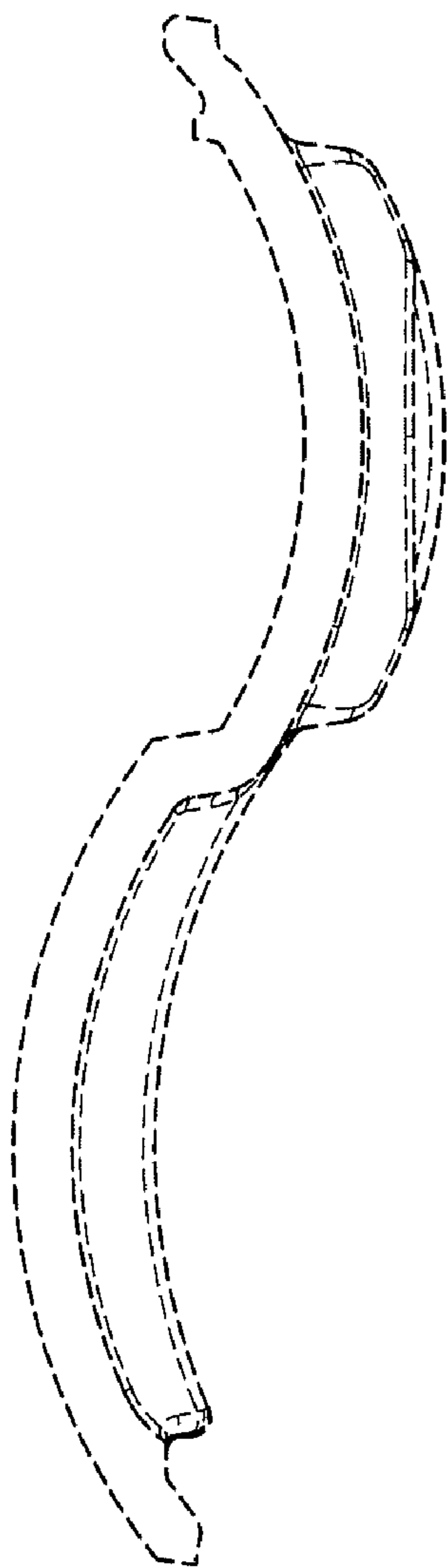


FIG. 5

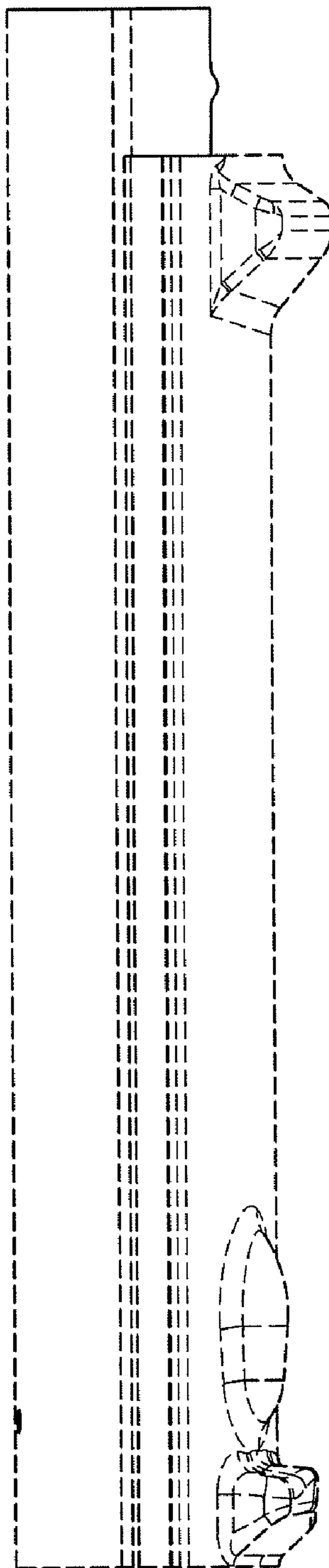


FIG. 6

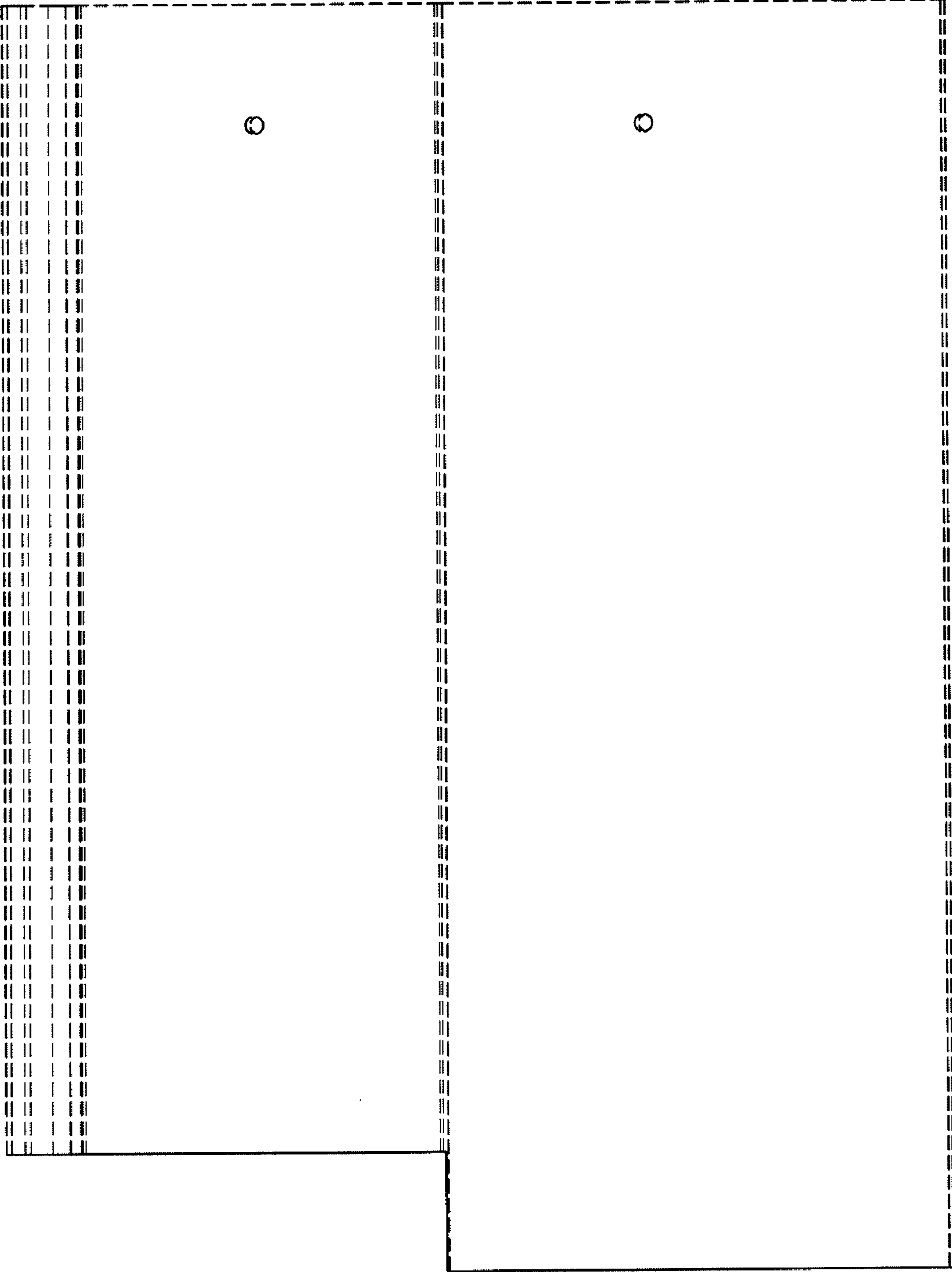


FIG. 7

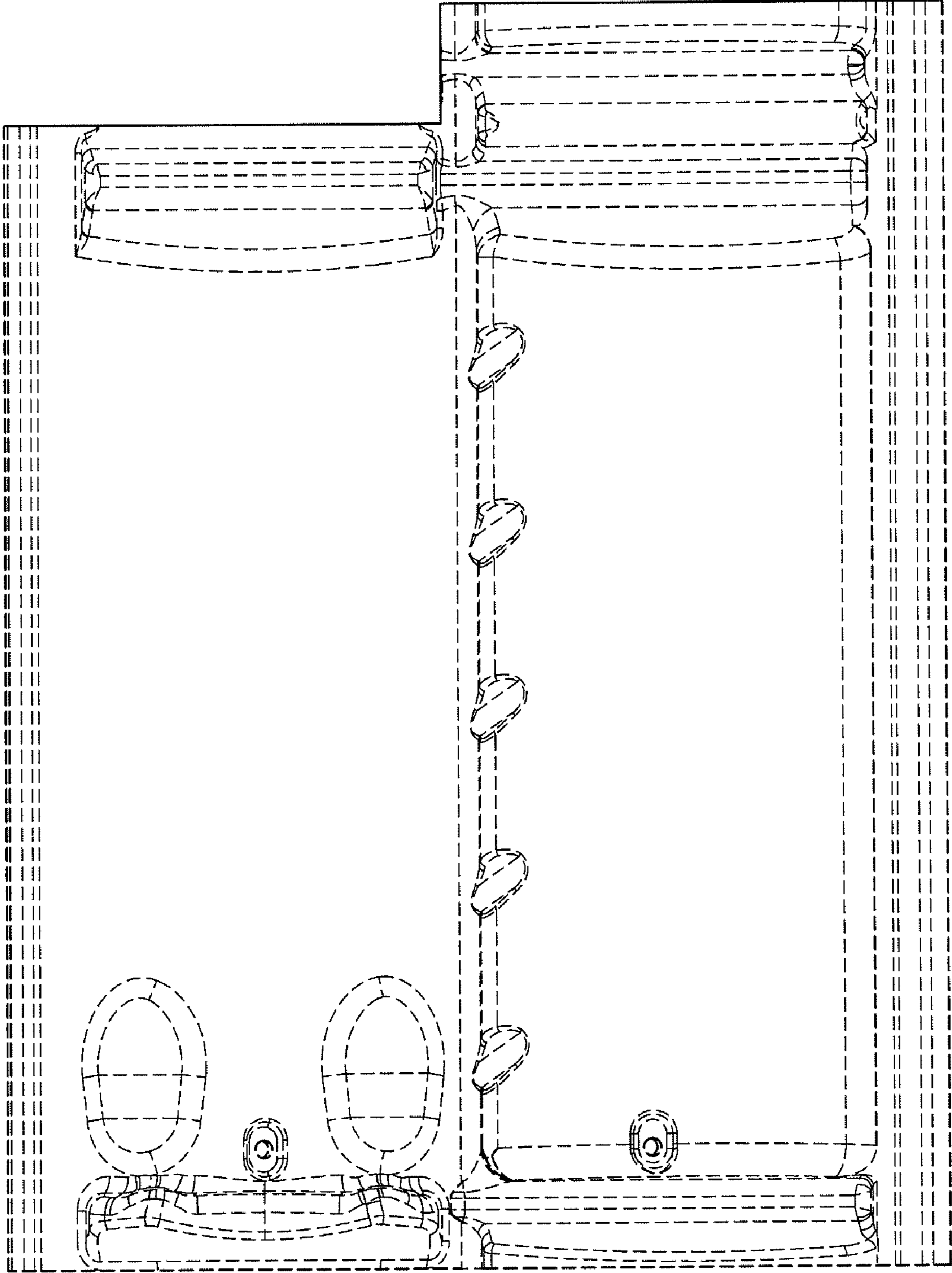


FIG. 8