



US00D604432S

(12) **United States Design Patent**
Fifield et al.

(10) **Patent No.:** **US D604,432 S**

(45) **Date of Patent:** **** Nov. 17, 2009**

(54) **CAP AND PAN ROOF TILES**

(75) Inventors: **John A. Fifield**, Aylesbury (GB); **Brian Austin**, Casa Grande, AZ (US); **Jason Rhees**, Castle Rock, CO (US); **David Skierkowski**, Rio Rancho, NM (US); **Michael McVey**, Casa Grande, AZ (US)

(73) Assignee: **Oldcastle Architectural, Inc.**, Atlanta, GA (US)

(**) Term: **14 Years**

(21) Appl. No.: **29/317,334**

(22) Filed: **Apr. 28, 2008**

(51) **LOC (9) Cl.** **25-01**

(52) **U.S. Cl.** **D25/140**

(58) **Field of Classification Search** D25/140-141, D25/138-139; 52/518-520, 529, 537, 542, 52/545-546, 552, 554, 557, 559, 578
See application file for complete search history.

(56) **References Cited**

U.S. PATENT DOCUMENTS

479,442 A	7/1892	Marvick
522,879 A	7/1894	Cohen
2,510,416 A	6/1950	Pretty

(Continued)

FOREIGN PATENT DOCUMENTS

DE	93888	11/1972
EP	0095420	11/1983
EP	0175500	3/1986
FR	1259641	3/1961
GB	416649	9/1934
GB	2046808	11/1980
GB	2178773	2/1987

(Continued)

OTHER PUBLICATIONS

Westile Roofing Products—<http://web.archive.org/web/20070613054119/http://www.westile.com/newconstr.asp>—1 pg.

(Continued)

Primary Examiner—Catherine R Oliver

(74) *Attorney, Agent, or Firm*—Kilpatrick Stockton LLP; Camilla C. Williams; Tiffany L. Williams

(57) **CLAIM**

The ornamental design for cap and pan roof tiles, as shown and described.

DESCRIPTION

FIG. 1 shows a top perspective view of a cap tile according to the present invention.

FIG. 2 shows a bottom perspective view of the cap tile of FIG. 1.

FIG. 3 shows a right side view of the cap tile of FIG. 1.

FIG. 4 shows a front view of the cap tile of FIG. 1, the rear view being the same.

FIG. 5 shows a left side view of the cap tile of FIG. 1.

FIG. 6 shows a top view of the cap tile of FIG. 1.

FIG. 7 shows a bottom view of the cap tile of FIG. 1.

FIG. 8 shows a top perspective view of a pan tile according to the present invention.

FIG. 9 shows a bottom perspective view of the pan tile of FIG. 8.

FIG. 10 shows a right side view of the pan tile of FIG. 8.

FIG. 11 shows a front view of the pan tile of FIG. 8, the rear view being the same.

FIG. 12 shows a left side view of the pan tile of FIG. 8.

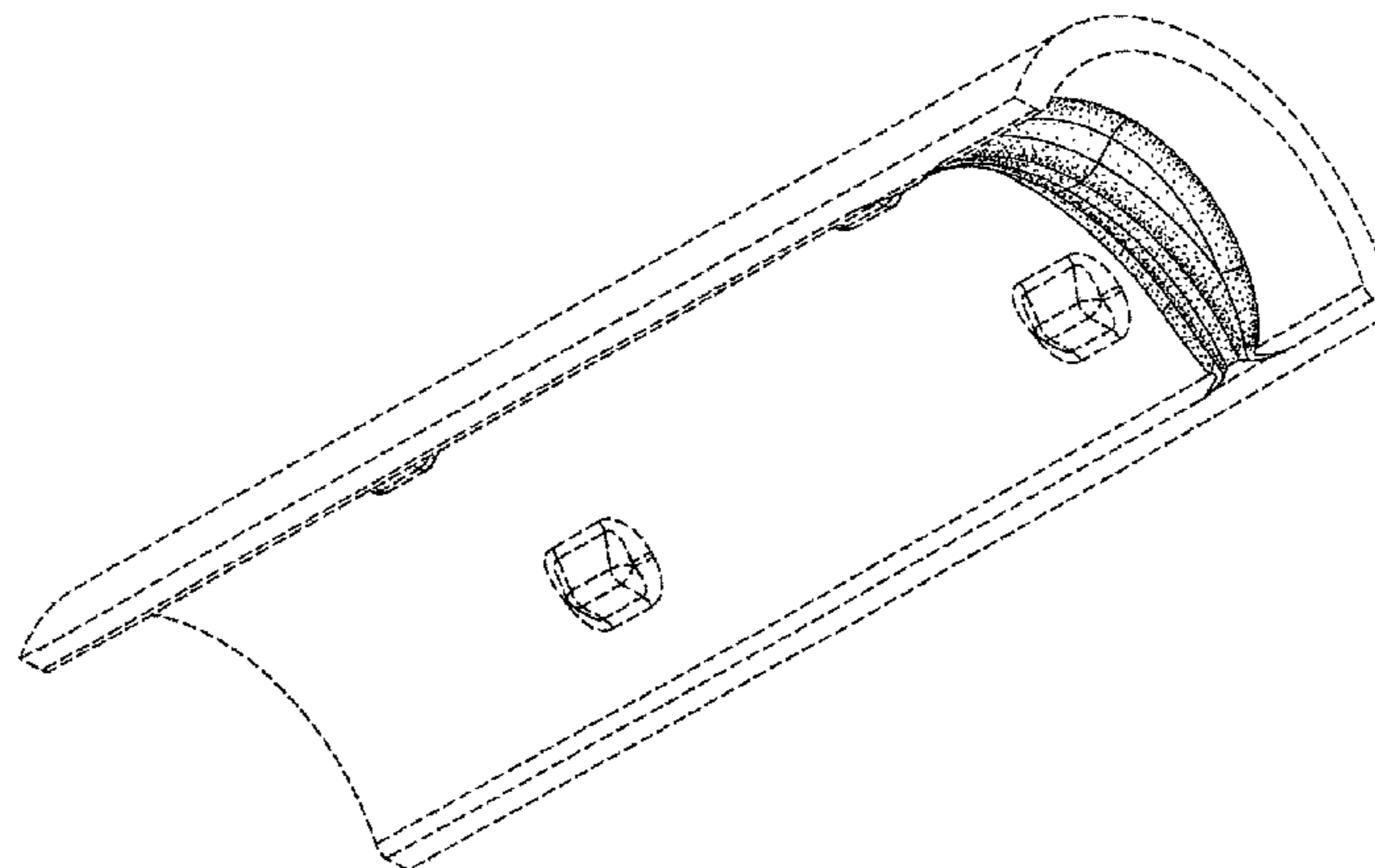
FIG. 13 shows a top view of the pan tile of FIG. 8.

FIG. 14 shows a bottom view of the pan tile of FIG. 8; and,

FIG. 15 shows a perspective view of the cap and pan tiles in combination according to the present invention.

Portions or features of the cap and pan tiles shown in broken lines in the drawings form no part of the claimed design. Portions or features of the cap and pan roof tiles absent in the drawings form no part of the claimed design.

1 Claim, 7 Drawing Sheets



US D604,432 S

Page 2

U.S. PATENT DOCUMENTS

2,624,298 A 1/1953 Farren
3,309,831 A * 3/1967 Misch et al. 52/519
3,440,777 A 4/1969 Martin et al.
D218,540 S 8/1970 Powel et al.
4,084,365 A 4/1978 Read
4,731,969 A 3/1988 Baker et al.
4,752,520 A 6/1988 Franklin
D302,732 S * 8/1989 Ferland D25/140
4,901,496 A * 2/1990 Fritz et al. 52/578
4,959,250 A 9/1990 McKinnon
4,975,303 A 12/1990 McKinnon
5,070,671 A 12/1991 Fifield et al.
D338,541 S 8/1993 Fifield
5,268,028 A 12/1993 Fifield
D356,873 S 3/1995 Bamber et al.
5,490,360 A 2/1996 Fifield et al.
5,502,940 A 4/1996 Fifield
5,743,059 A 4/1998 Fifield
D435,121 S 12/2000 Bamber et al.
D446,871 S 8/2001 Thomas
D467,671 S 12/2002 Suzuki
D498,546 S 11/2004 Chuang

7,060,212 B2 6/2006 Bane et al.
D542,942 S 5/2007 Wilkinson
D562,993 S 2/2008 Shepherd et al.
D574,973 S 8/2008 Simmons

FOREIGN PATENT DOCUMENTS

WO WO89/06728 7/1989

OTHER PUBLICATIONS

Westile Roofing Products—<http://web.archive.org/web/20061112040042/http://www.westile.com/newconstr.asp>—1 pg.
ICC ES Legacy Report—Legacy report on the 1997 Uniform Building Code™, the 2000 International Building Code®, the 2000 International Residential Code®, and the 1999 Standard Building Code ©—Reissued Mar. 1, 2005 (ER-4202)—pp. 1-7.
ES Report—Filing Category: Roof Covering and Roof Deck Construction—Roof Covering—Reissued May 1, 2002 (ER-3909)—pp. 1-3.
ICC ES Legacy Report—Legacy report on the 1997 Uniform Building Code™, the 2000 International Building Code®, the 2000 International Residential Code® (ER-3984)—pp. 1-2.

* cited by examiner

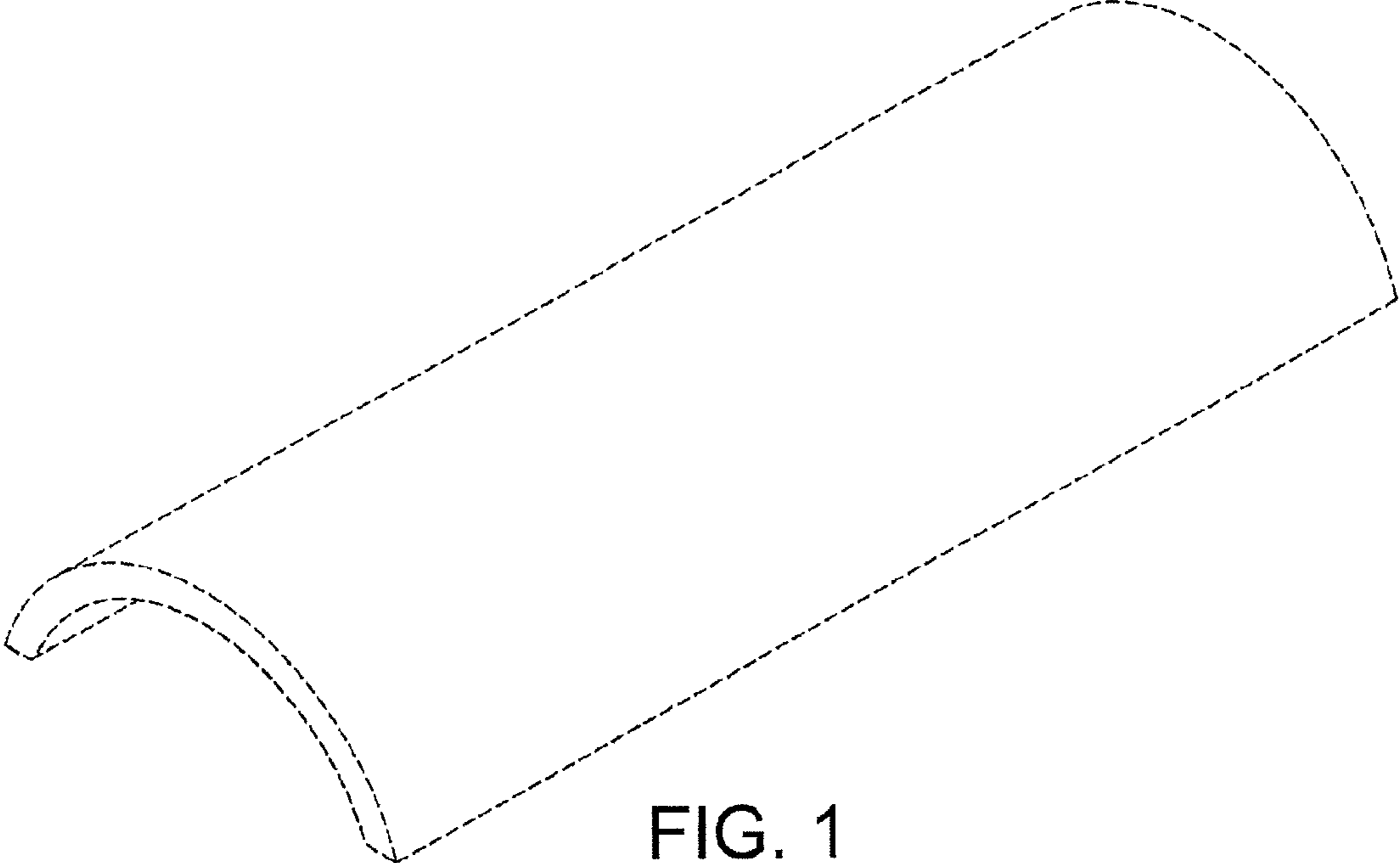


FIG. 1

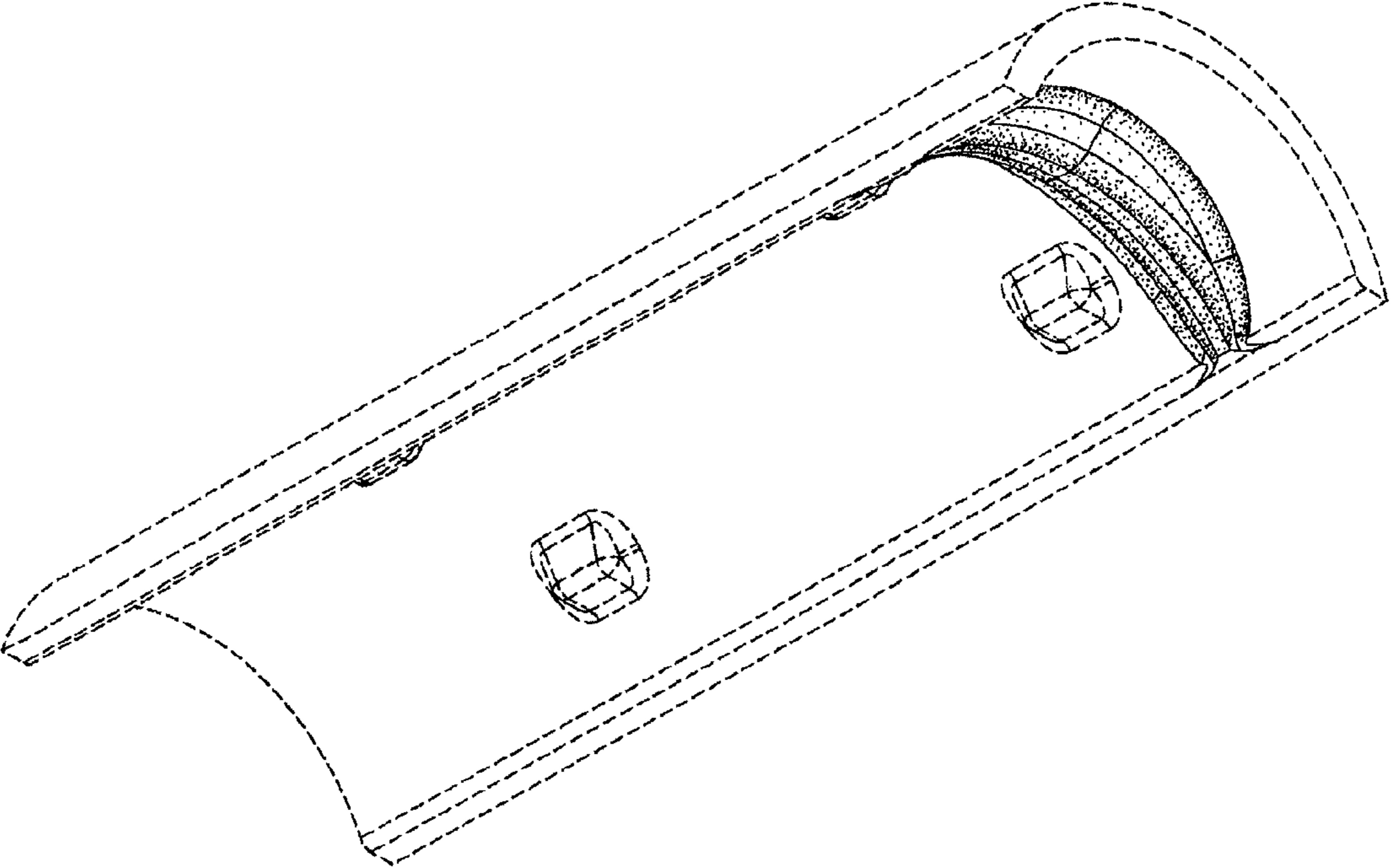


FIG. 2

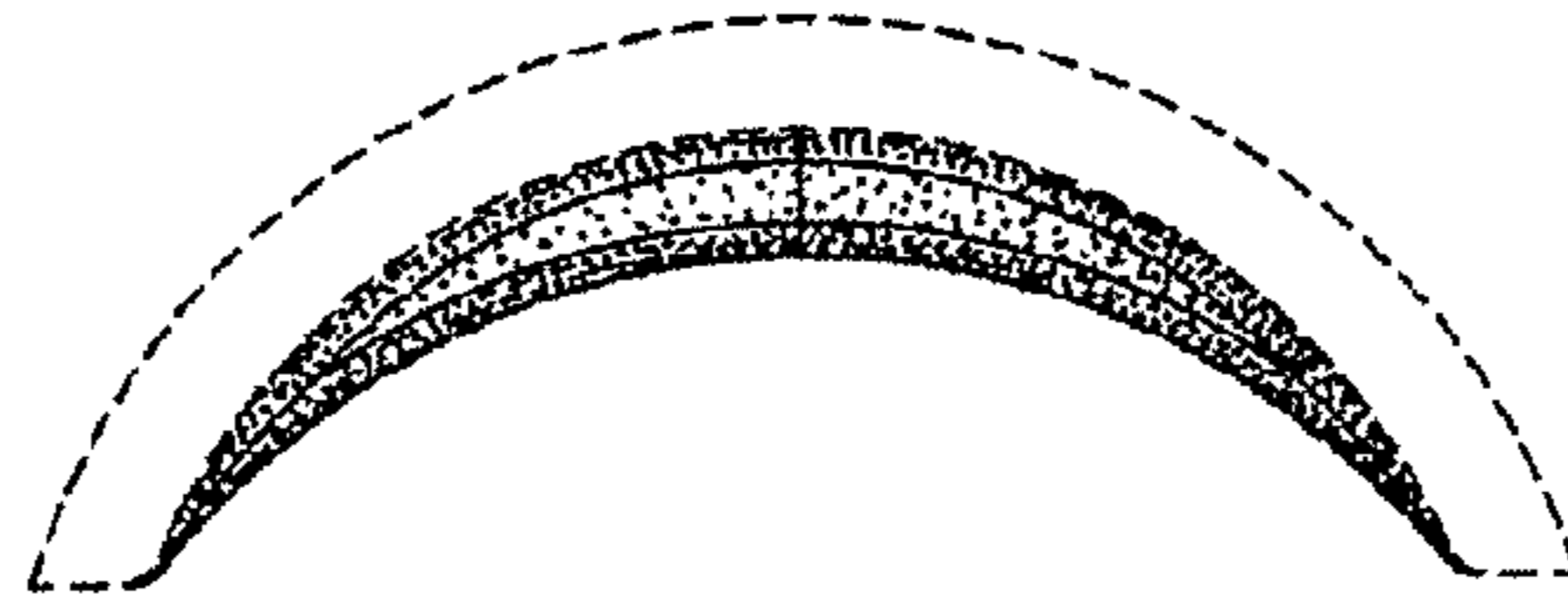


FIG. 3



FIG. 4



FIG. 5

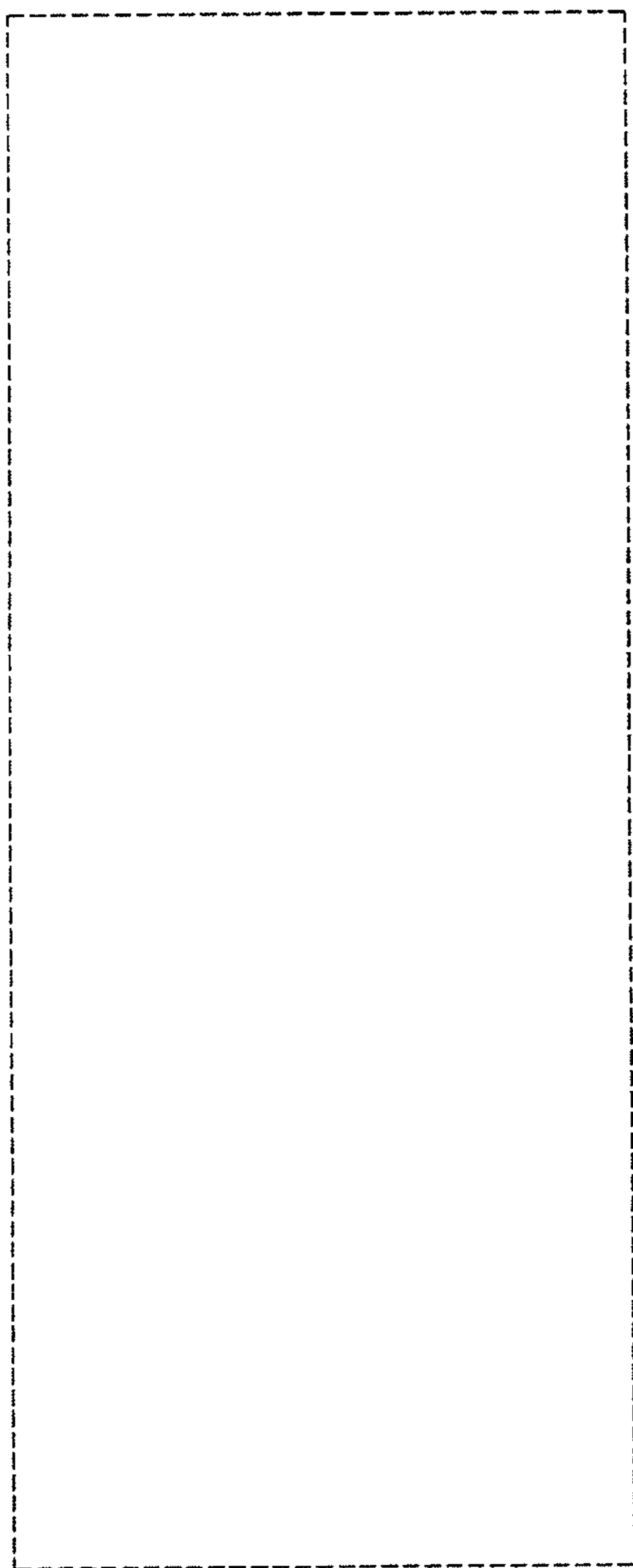


FIG. 6

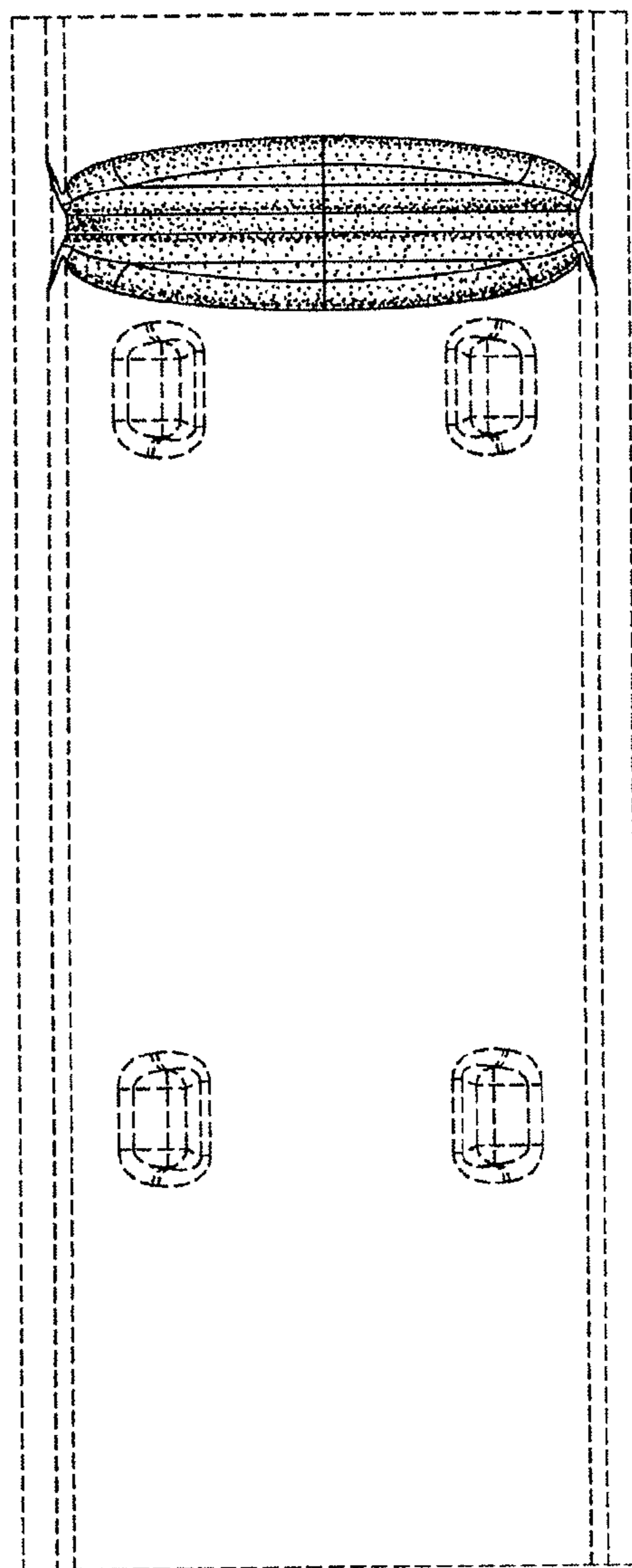


FIG. 7

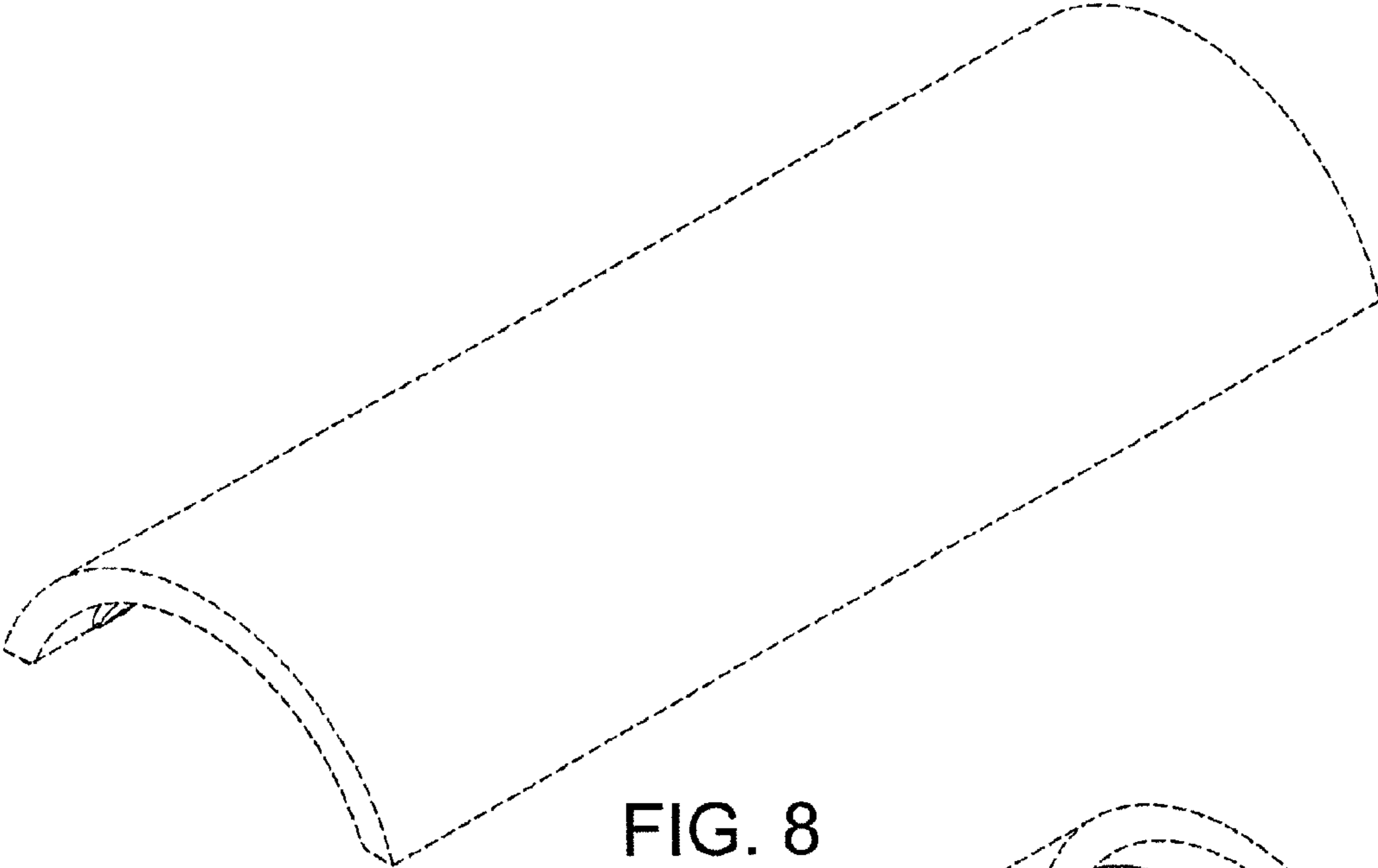


FIG. 8

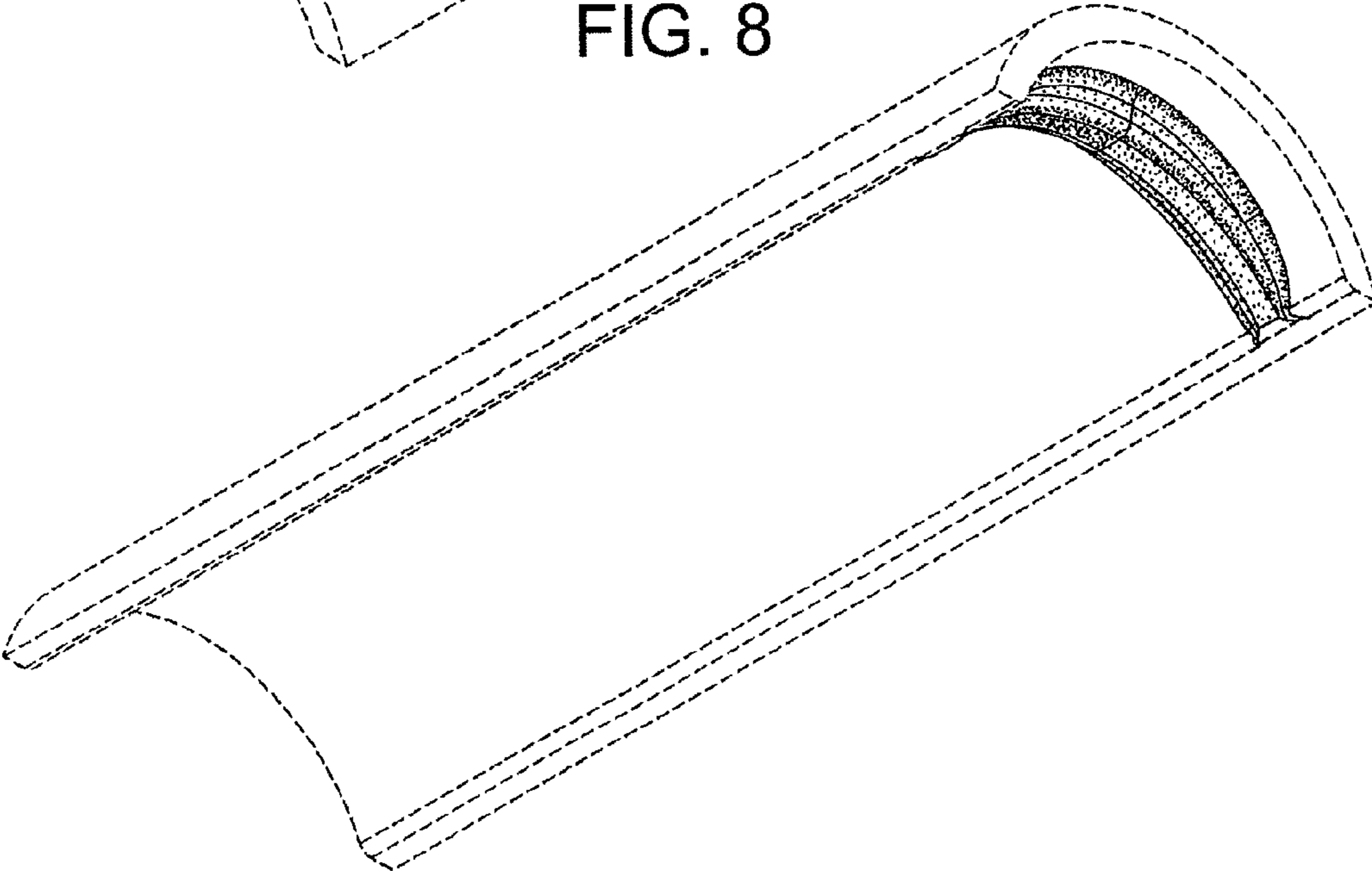


FIG. 9

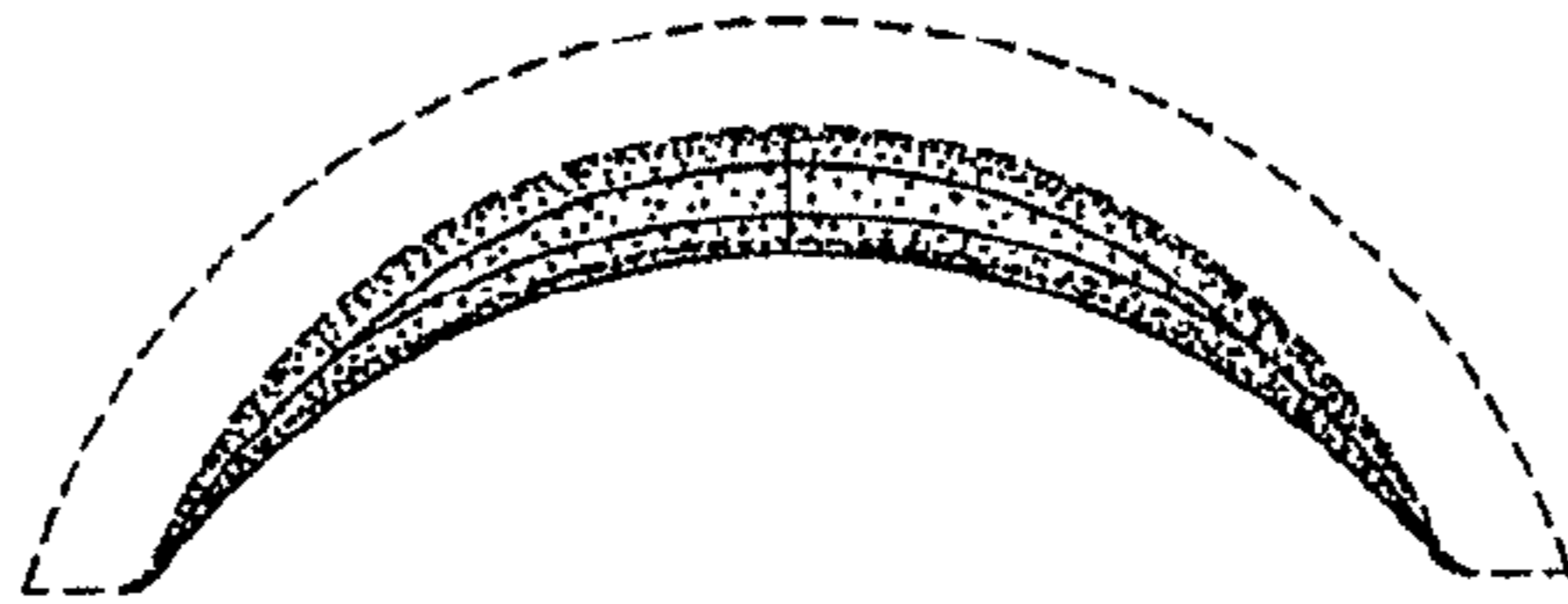


FIG. 10



FIG. 11

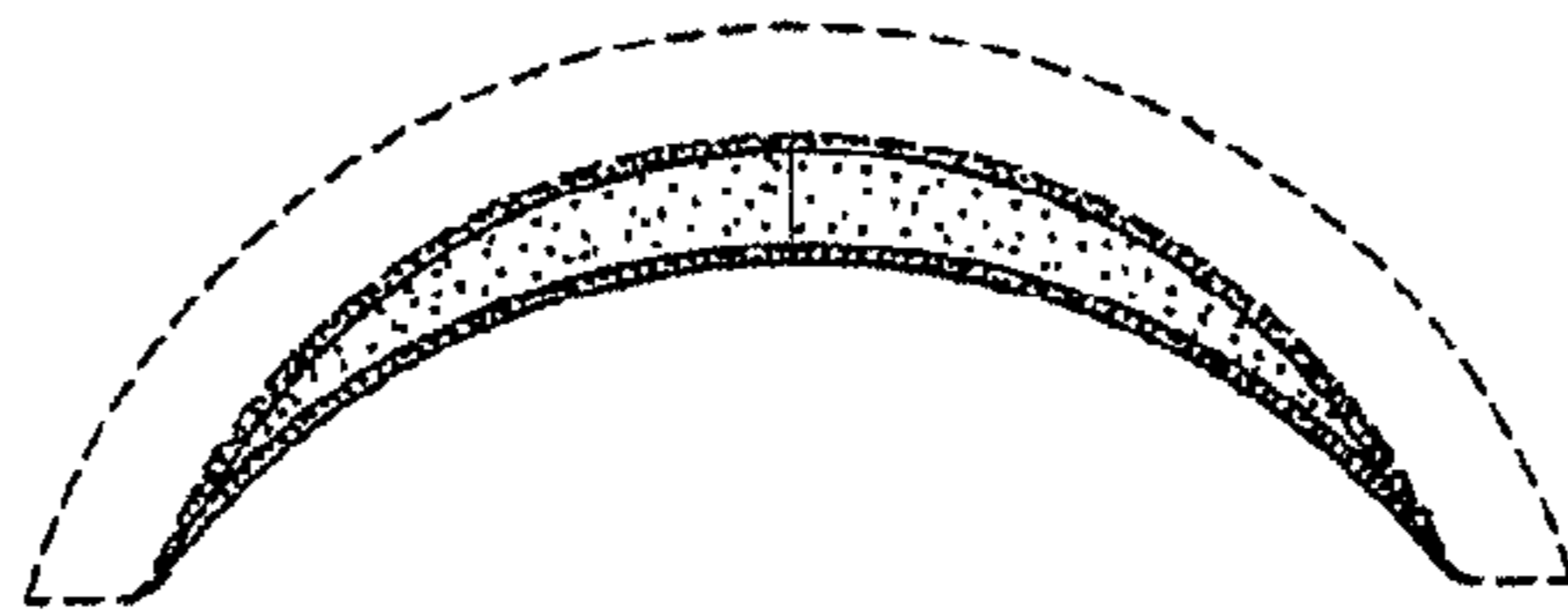


FIG. 12

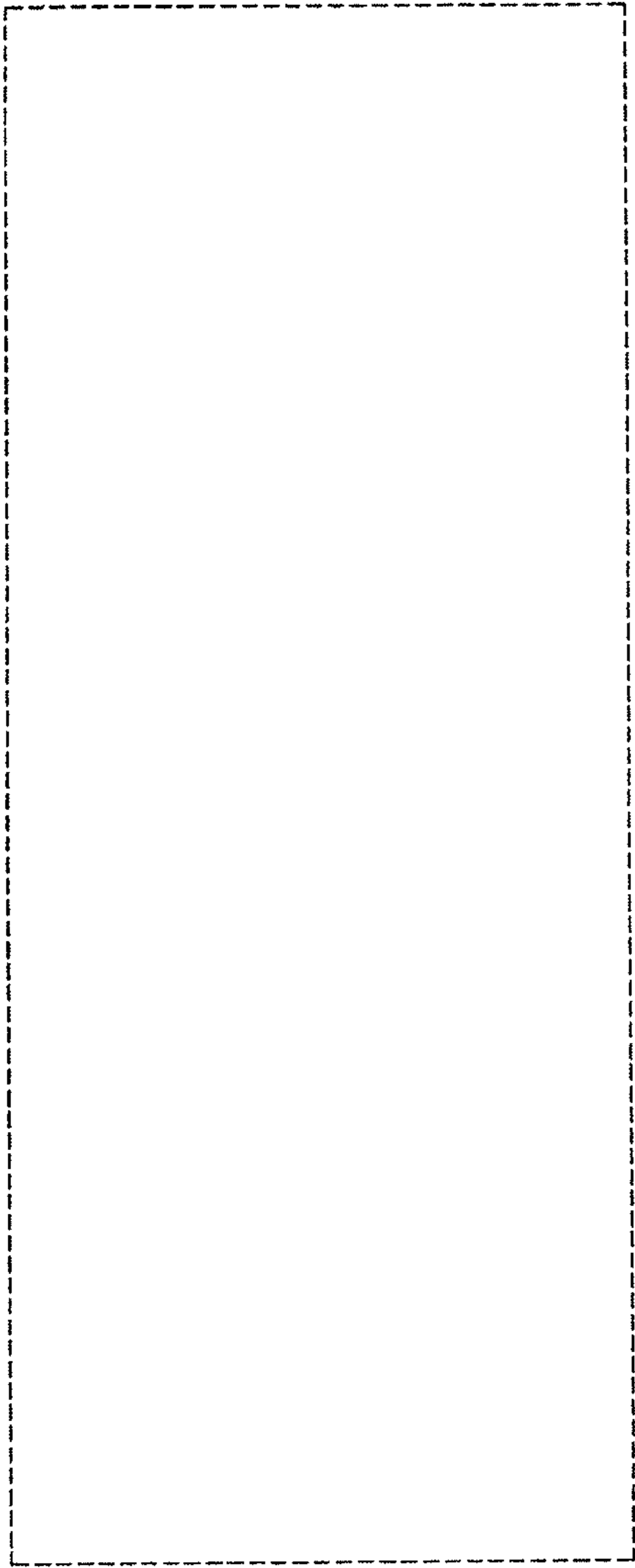


FIG. 13

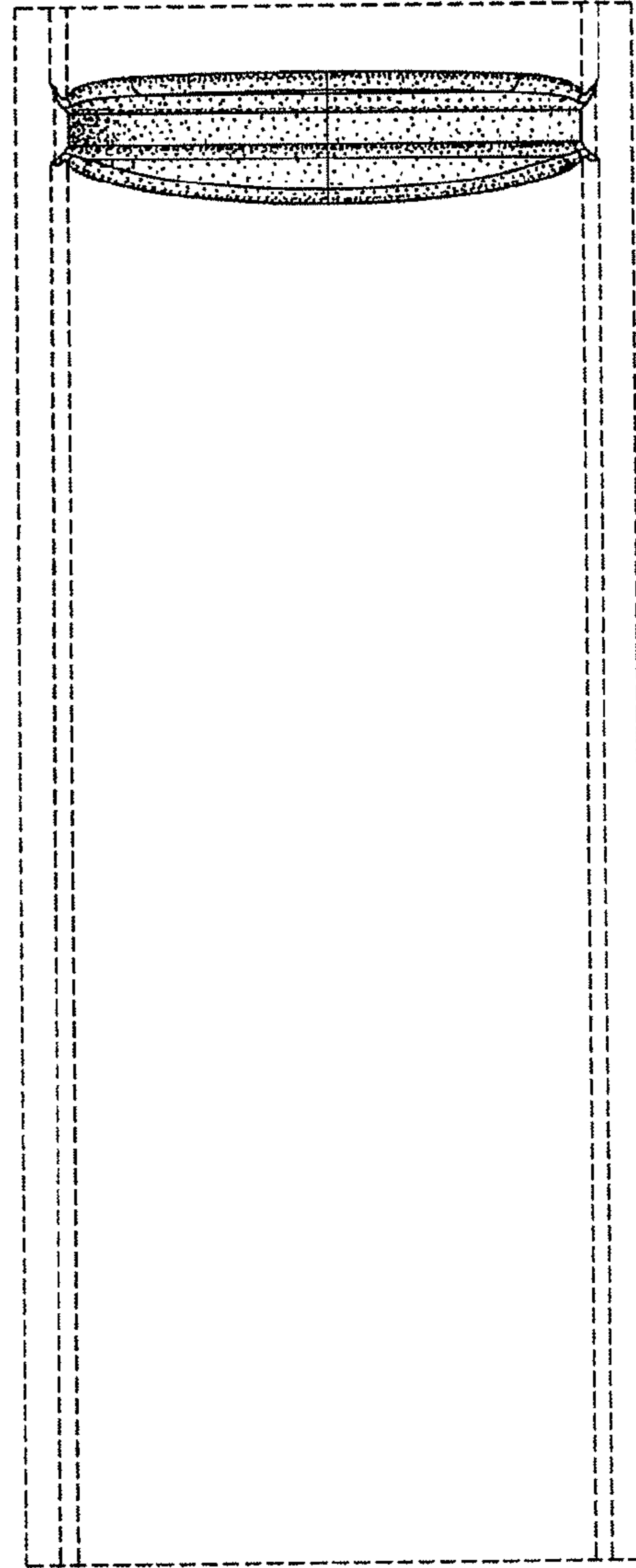


FIG. 14

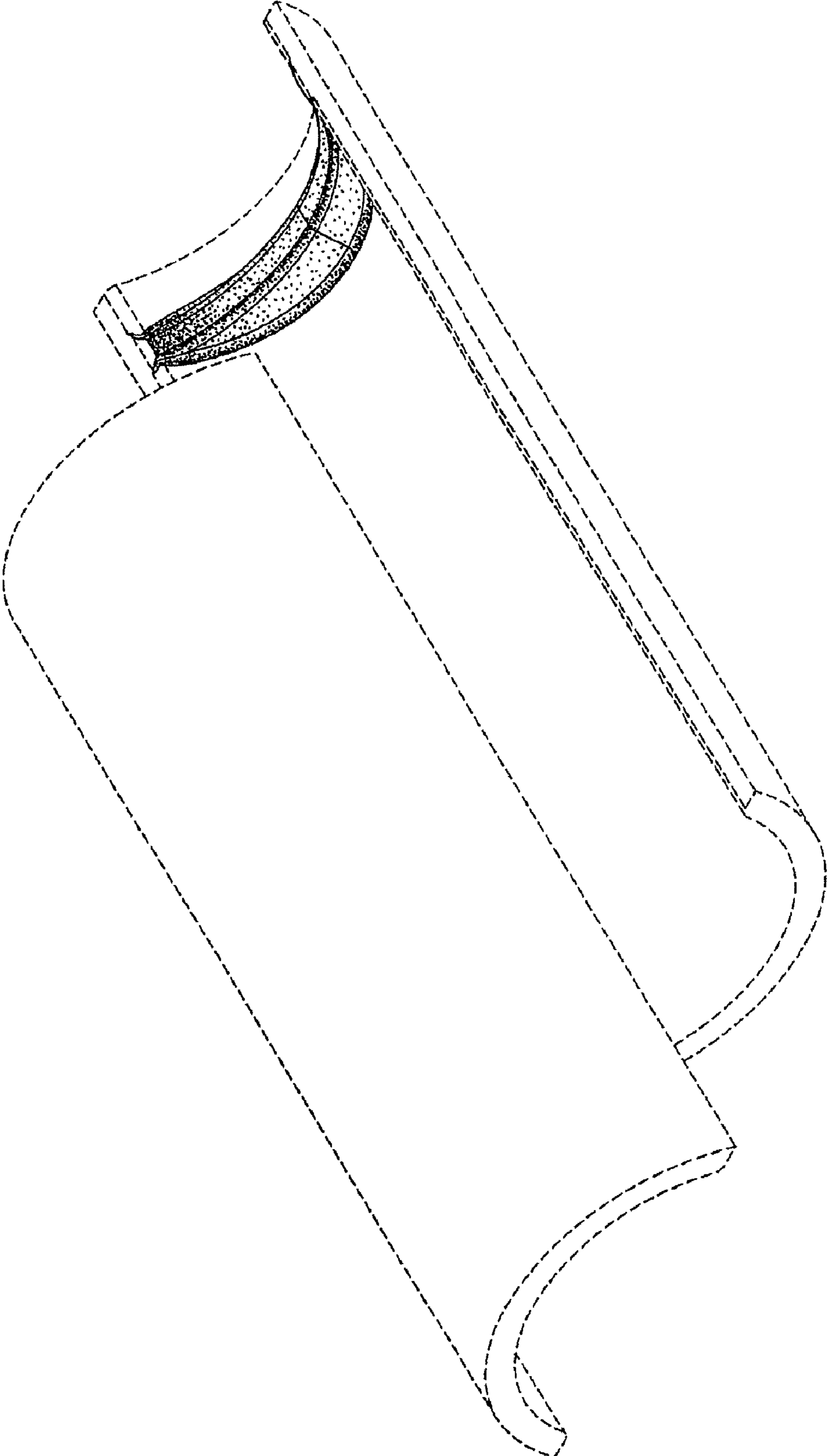


FIG. 15