



US00D604428S

(12) **United States Design Patent**  
**Waters**

(10) **Patent No.:** **US D604,428 S**

(45) **Date of Patent:** **\*\* Nov. 17, 2009**

(54) **CEILING CANOPY**

(75) Inventor: **James R. Waters**, Lancaster, PA (US)

(73) Assignee: **AWI Licensing Company**, Wilmington, DE (US)

(\*\*) Term: **14 Years**

(21) Appl. No.: **29/288,338**

(22) Filed: **Jun. 7, 2007**

(51) **LOC (9) Cl.** ..... **25-02**

(52) **U.S. Cl.** ..... **D25/58**

(58) **Field of Classification Search** ..... D25/58,  
D25/138, 153, 157-158; 52/384, 506.01,  
52/506.06, 507, 506.08, 311.2, 144-145,  
52/484-485

See application file for complete search history.

(56) **References Cited**

**U.S. PATENT DOCUMENTS**

D324,737 S \* 3/1992 Stafford ..... D25/58

D373,831 S \* 9/1996 Lechleiter et al. .... D25/58

D464,737 S \* 10/2002 Gulbrandsen et al. .... D25/58

D489,827 S \* 5/2004 Birsal et al. .... D25/58

D530,024 S \* 10/2006 Elliott ..... D25/58

D582,053 S \* 12/2008 Williams ..... D25/58

\* cited by examiner

*Primary Examiner*—Catherine R Oliver

(57) **CLAIM**

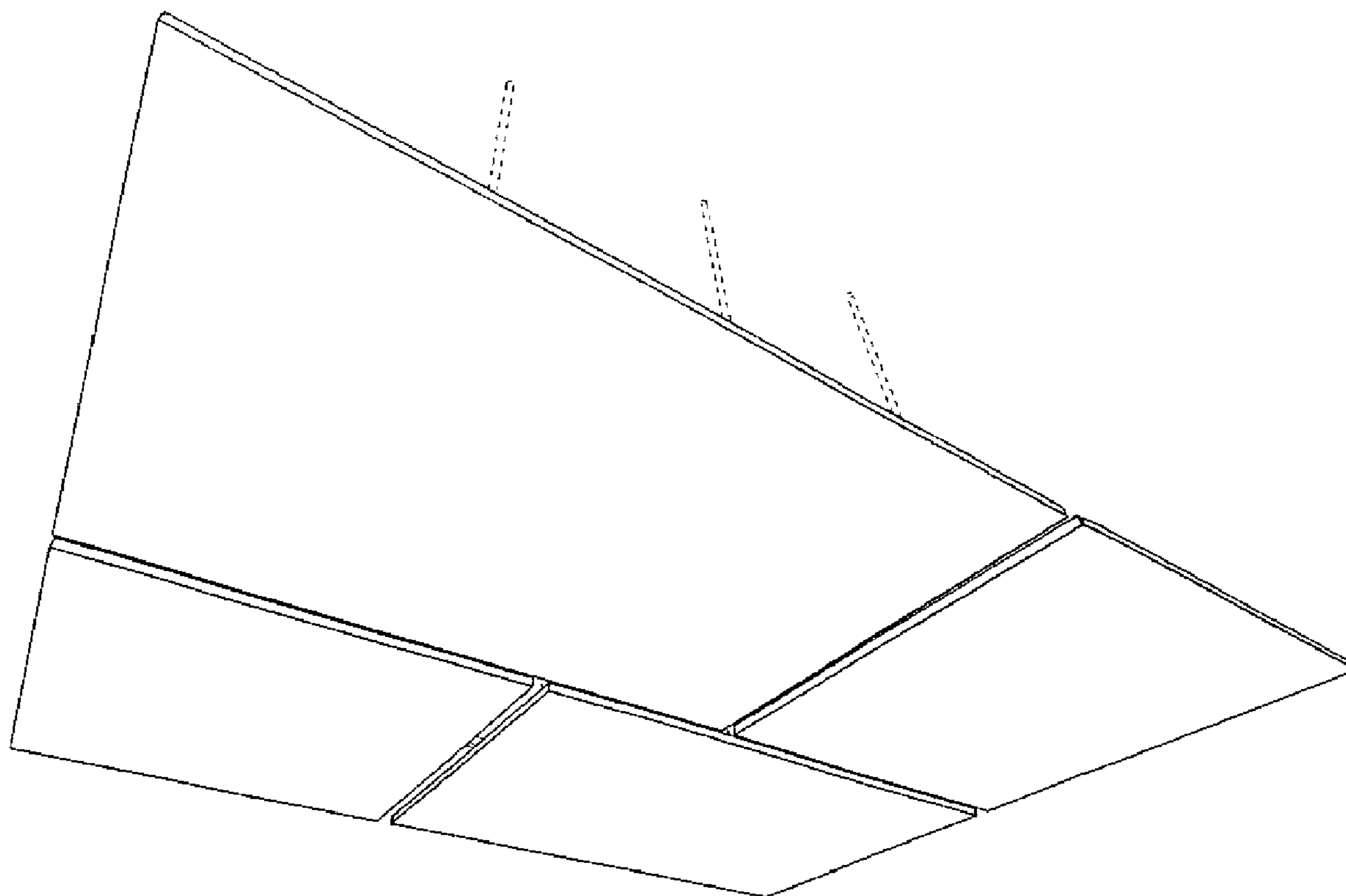
The ornamental design for a ceiling canopy, as shown.

**DESCRIPTION**

FIG. 1 is a front perspective view of a ceiling canopy showing an exemplary embodiment of our new design. The broken lines showing suspension frames and hanging hardware are for illustrative purposes only and form no part of the claimed design; and,

FIG. 2 is a perspective view of FIG. 1 shown at an alternate viewing angle.

**1 Claim, 2 Drawing Sheets**



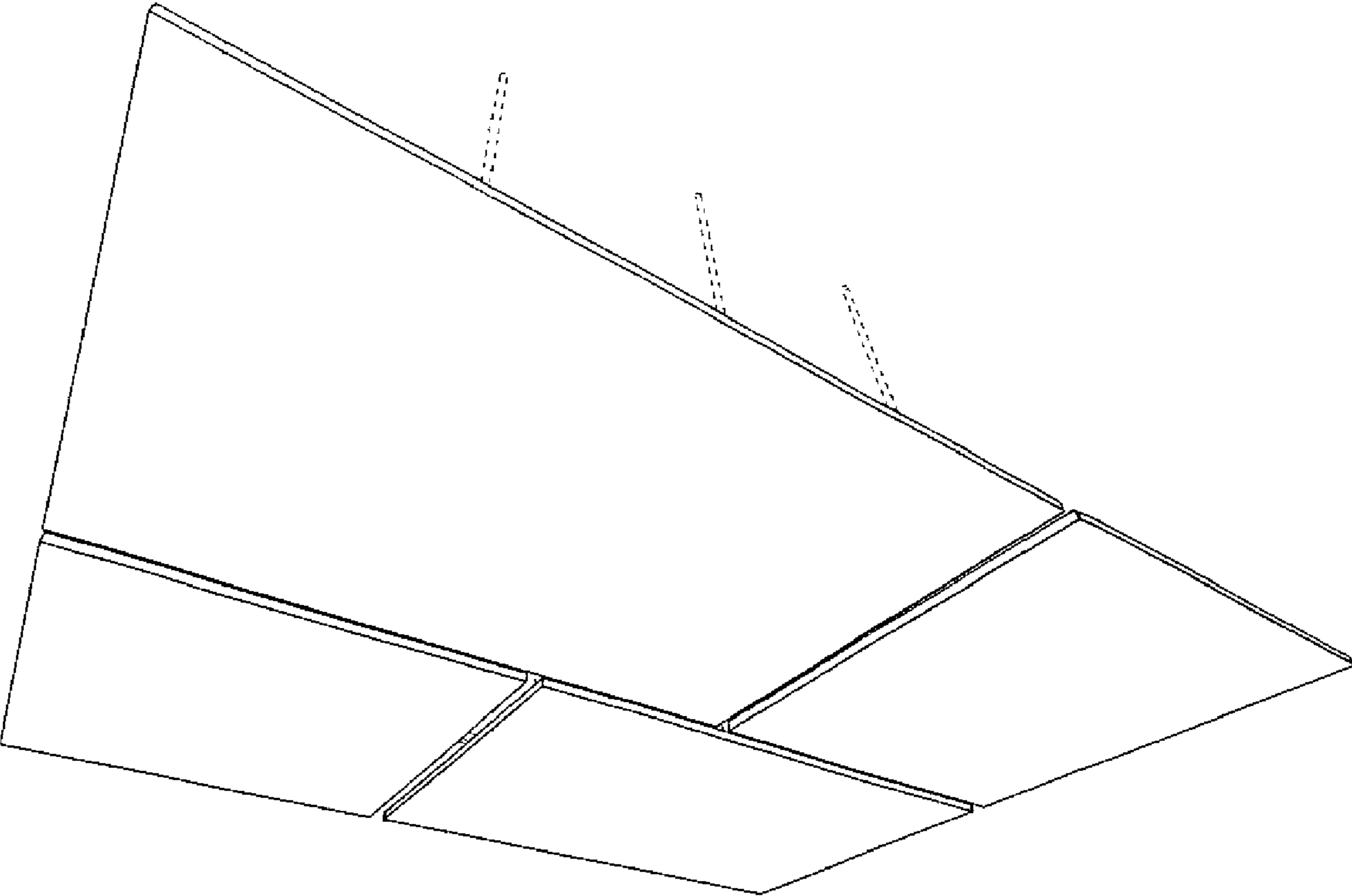


Figure 1

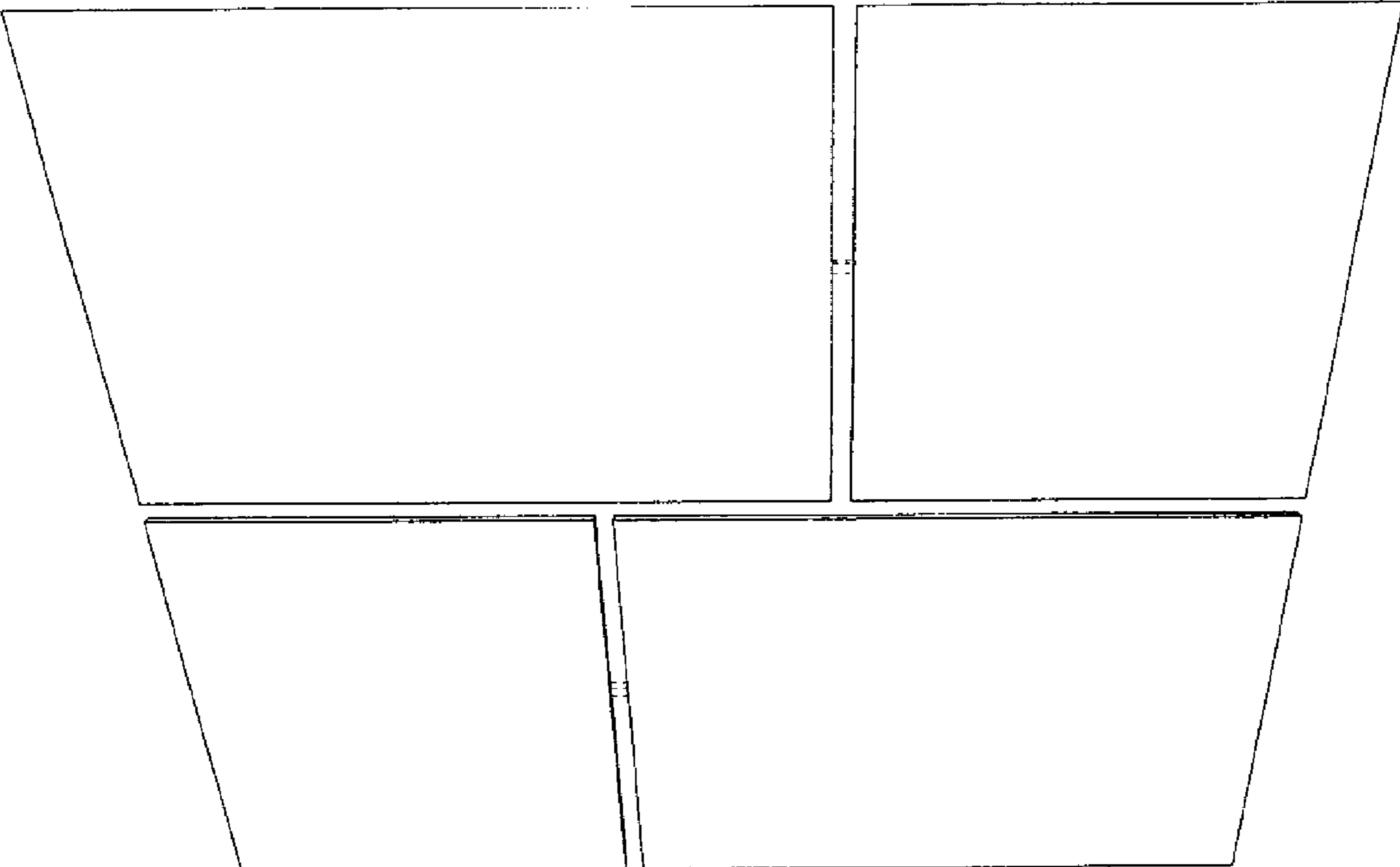


Figure 2