



US00D604427S

(12) **United States Design Patent**
Kramer

(10) **Patent No.:** **US D604,427 S**

(45) **Date of Patent:** **** Nov. 17, 2009**

(54) **AWNING**

4,615,371 A * 10/1986 Claus 160/22
5,333,663 A * 8/1994 Eger 160/22
5,365,989 A * 11/1994 Eger et al. 160/22

(75) Inventor: **Andreas Kramer**, Wildeshausen (DE)

(73) Assignee: **Schmitz-Werke GmbH & Co. KG**,
Emsdetten (DE)

* cited by examiner

Primary Examiner—Doris Clark

(**) Term: **14 Years**

(74) *Attorney, Agent, or Firm*—Browdy and Neimark,
P.L.L.C.

(21) Appl. No.: **29/330,004**

(57) **CLAIM**

(22) Filed: **Dec. 24, 2008**

The ornamental design for an awning, as shown and
described.

(30) **Foreign Application Priority Data**

DESCRIPTION

Jun. 25, 2008 (EM) 000958137-0004

(51) **LOC (9) Cl.** **25-02**

FIG. 1 is a front view of an awning, showing my new design;

(52) **U.S. Cl.** **D25/57**

FIG. 2 is a rear view thereof;

(58) **Field of Classification Search** D25/57;
160/19, 22, 45, 23.1, 24, 26, 29; 52/75, 74,
52/202, 203; 49/71

FIG. 3 is a top view thereof;

FIG. 4 is a bottom view thereof;

See application file for complete search history.

FIG. 5 is a lateral view (right side) thereof;

FIG. 6 is a lateral view (left side) thereof; and,

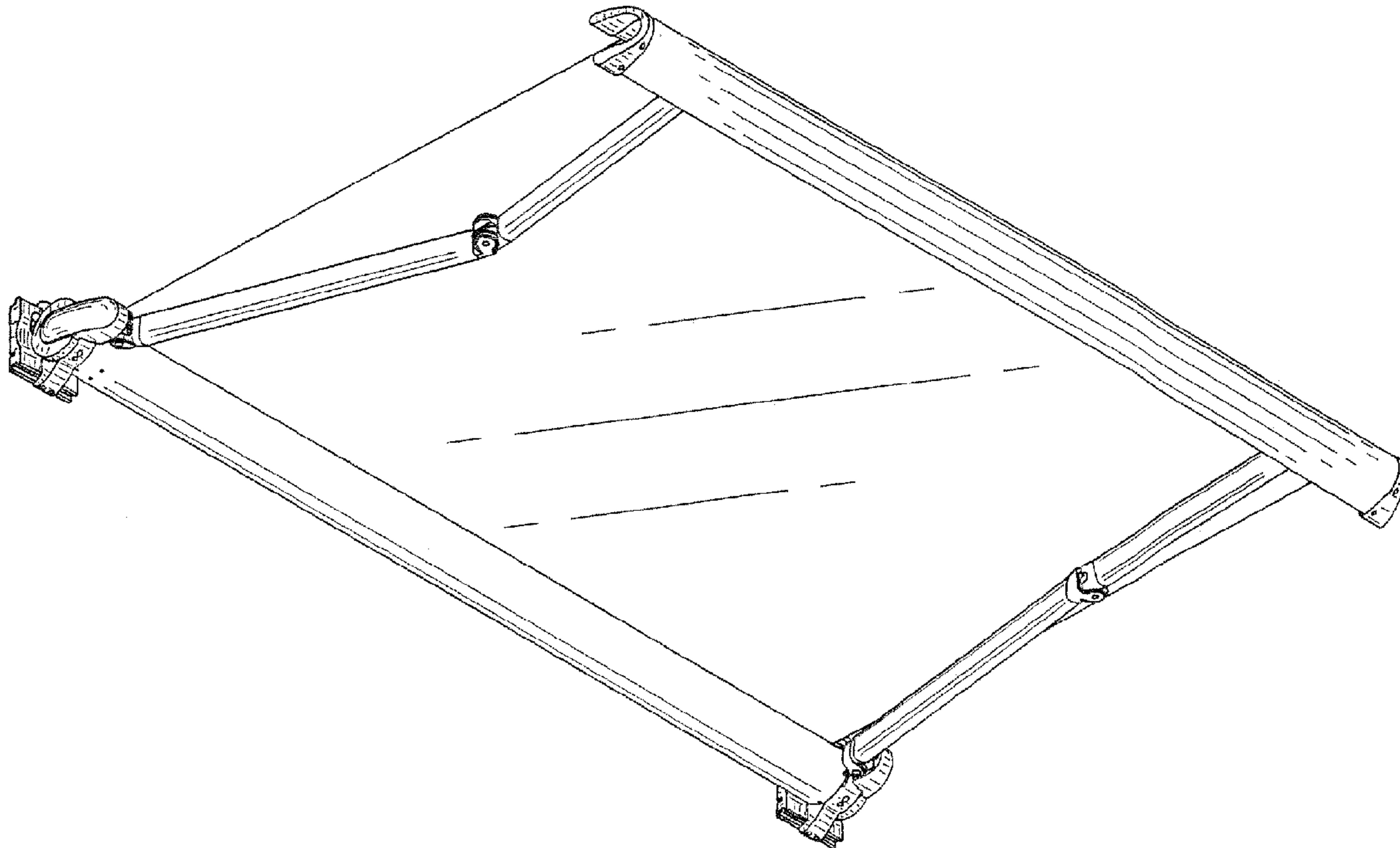
FIG. 7 is a perspective view thereof.

(56) **References Cited**

U.S. PATENT DOCUMENTS

1 Claim, 3 Drawing Sheets

D167,524 S * 8/1952 Moore D25/57



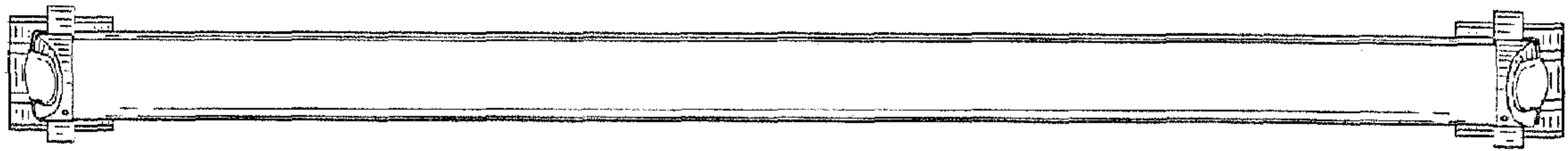


FIG. 1

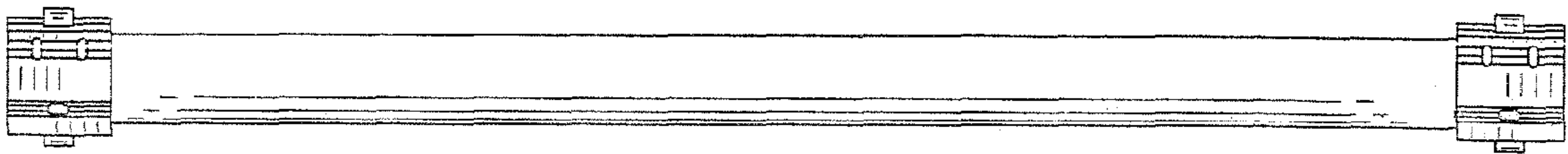


FIG. 2

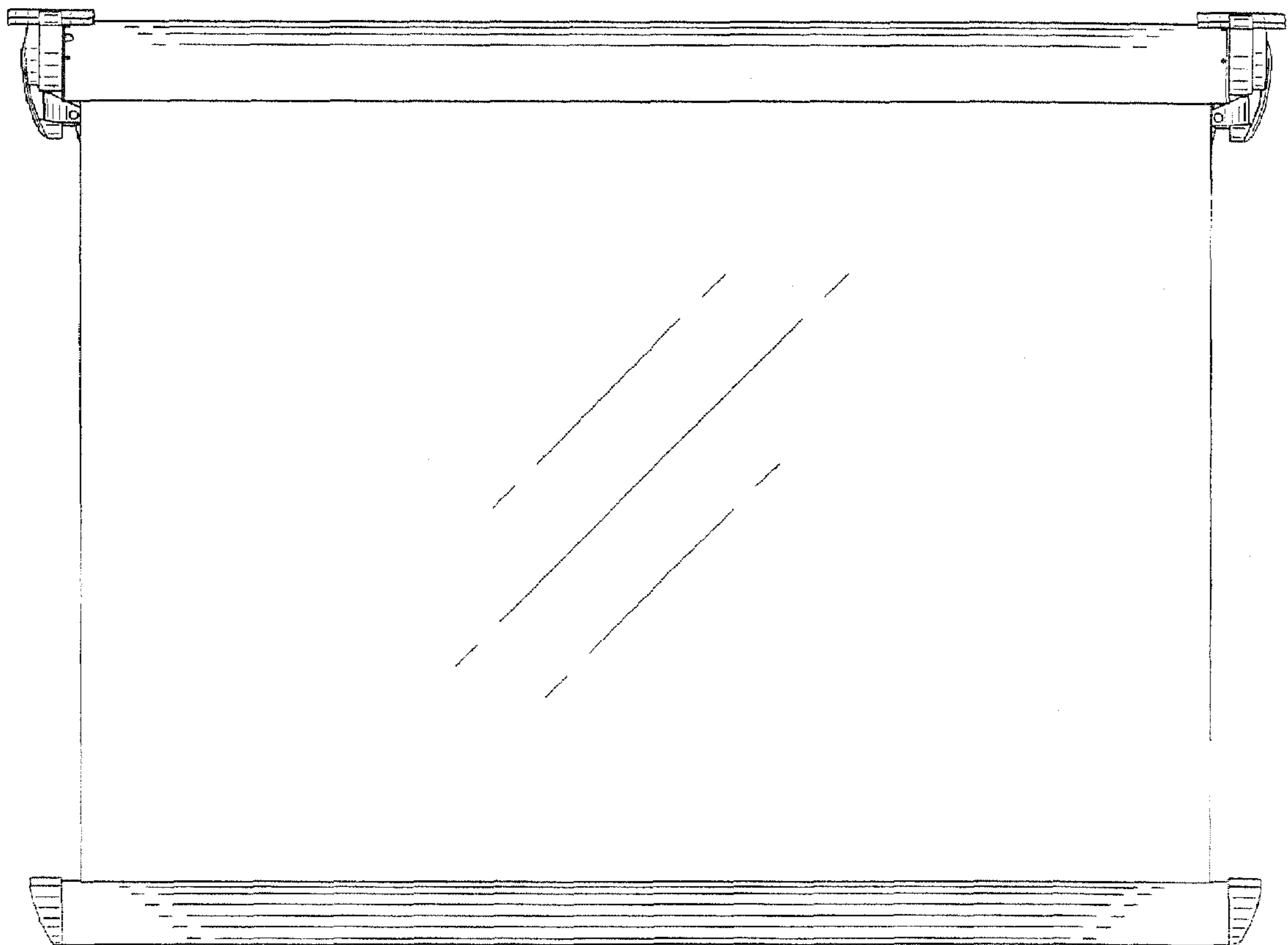


FIG. 3

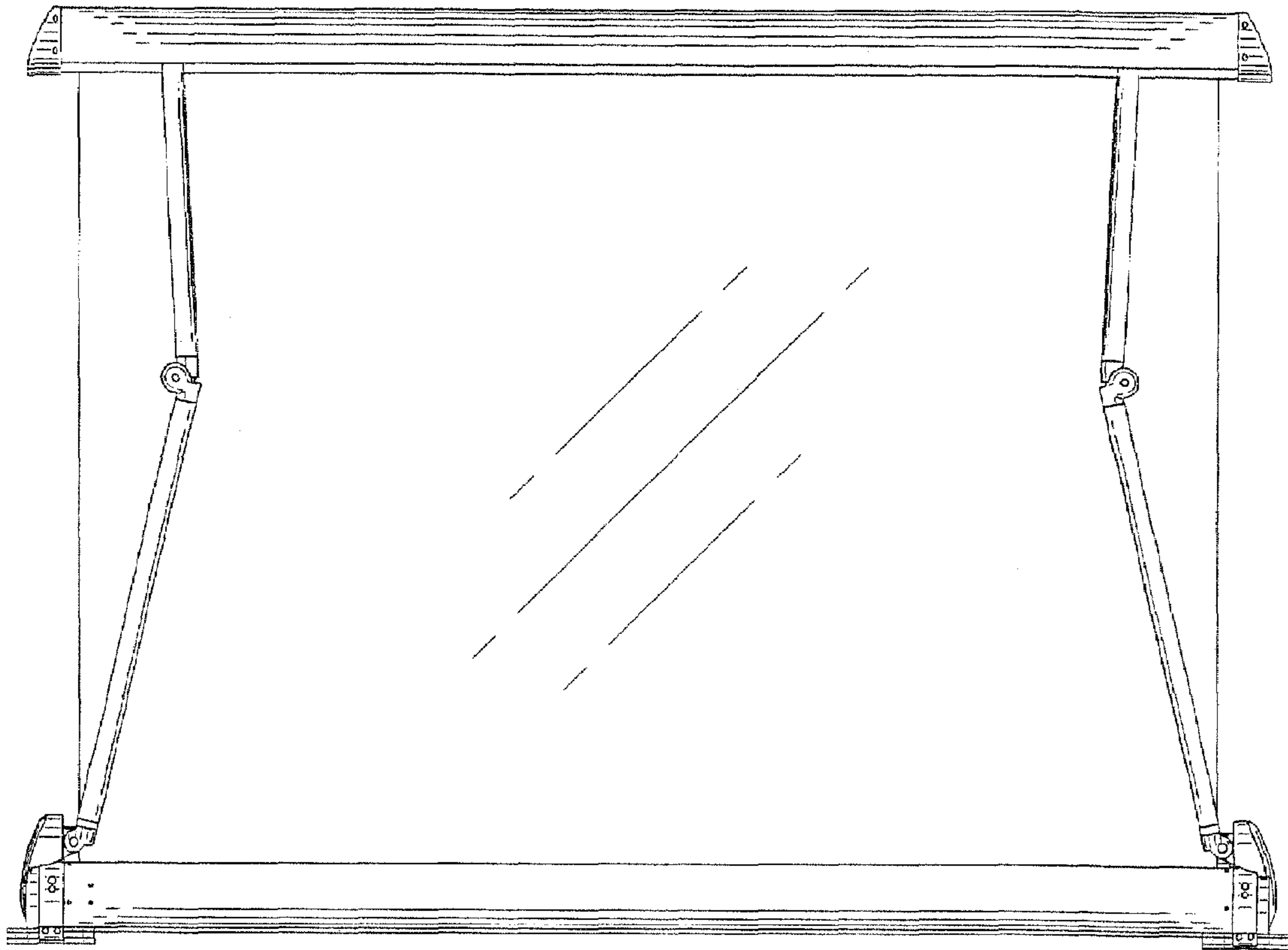


FIG. 4

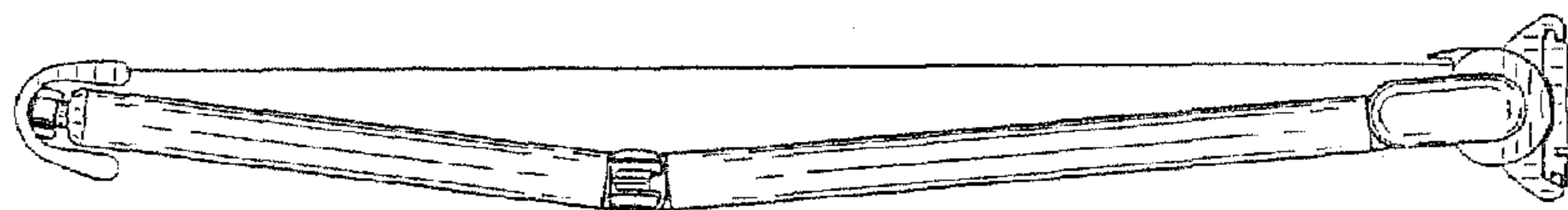


FIG. 5



FIG. 6

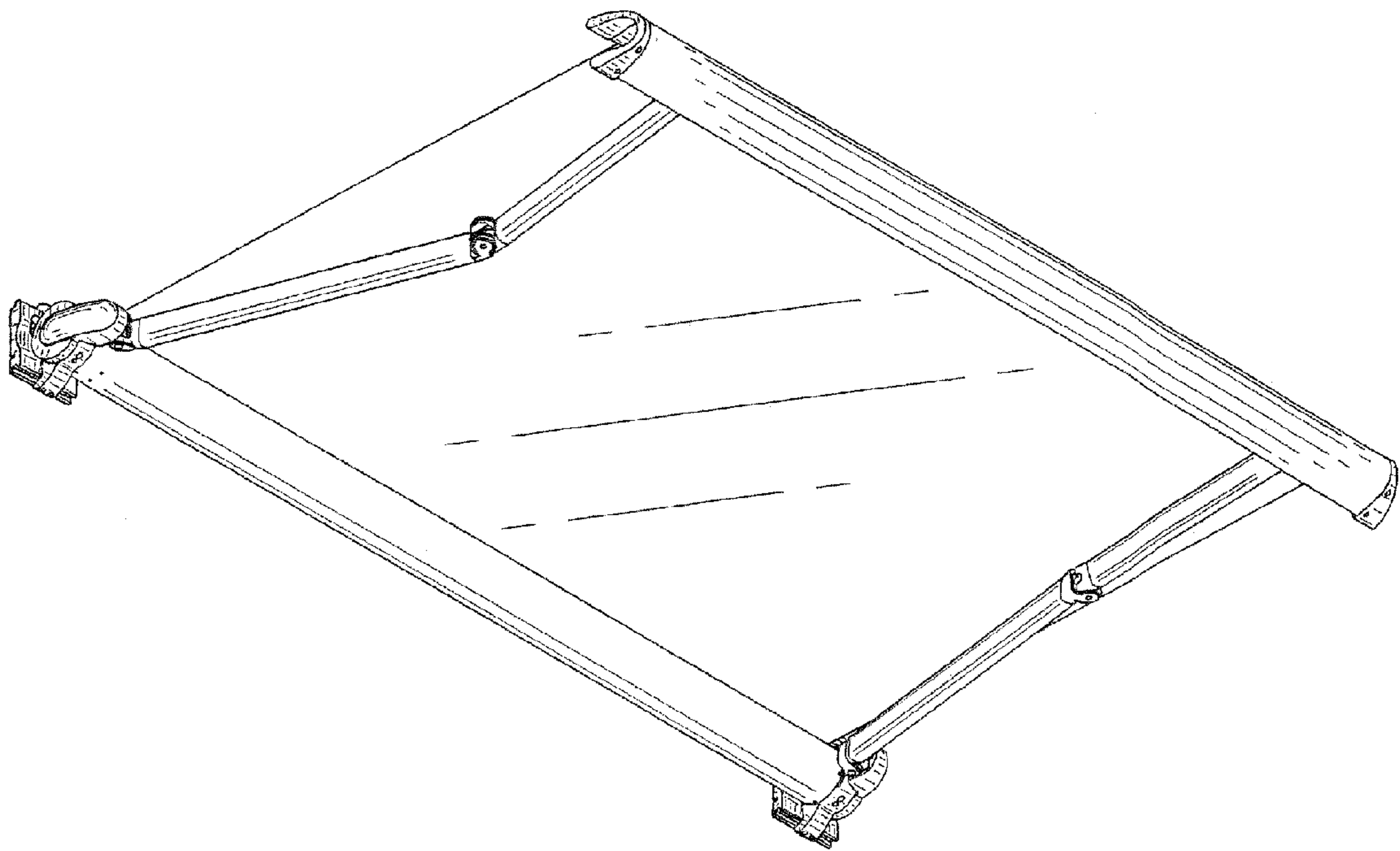


FIG. 7

UNITED STATES PATENT AND TRADEMARK OFFICE
CERTIFICATE OF CORRECTION

PATENT NO. : Des. 604,427 S
APPLICATION NO. : 29/330004
DATED : November 17, 2009
INVENTOR(S) : Andreas Kramer

Page 1 of 1

It is certified that error appears in the above-identified patent and that said Letters Patent is hereby corrected as shown below:

On the Title Page Item (73) Assignee, correct the incorrectly spelled assignee name by deleting "SCHMITZ-WERKE GMBH & CO. KG," and insert --SCHMITZ-WERKE GMBH + CO. KG--.

Signed and Sealed this

Sixth Day of July, 2010

A handwritten signature in black ink that reads "David J. Kappos". The signature is written in a cursive style with a large initial 'D' and a stylized 'K'.

David J. Kappos
Director of the United States Patent and Trademark Office