



US00D604423S

(12) **United States Design Patent**
Dunshee

(10) **Patent No.:** **US D604,423 S**

(45) **Date of Patent:** **** *Nov. 17, 2009**

(54) **BANDAGE**

2,880,863 A 4/1959 Stanton
2,889,039 A 6/1959 Schladermundt et al.

(75) Inventor: **Wayne K. Dunshee**, Maplewood, MN
(US)

(Continued)

(73) Assignee: **3M Innovative Properties Company**,
St. Paul, MN (US)

FOREIGN PATENT DOCUMENTS

CN 3530953D 5/2006

(*) Notice: This patent is subject to a terminal disclaimer.

(Continued)

(**) Term: **14 Years**

OTHER PUBLICATIONS

(21) Appl. No.: **29/261,303**

Band-Aid®, Water Block Plus® Bandage, by Johnson & Johnson, believed to have been on sale more than one year prior to the filing date of the instant application.

(22) Filed: **Jun. 12, 2006**

(Continued)

(51) **LOC (9) Cl.** **24-04**

(52) **U.S. Cl.** **D24/189**

(58) **Field of Classification Search** D24/188,
D24/189, 130, 191; 602/41-47

See application file for complete search history.

Primary Examiner—T. Chase Nelson
Assistant Examiner—Michelle E Wilson
(74) *Attorney, Agent, or Firm*—Lisa P. Fulton

(57) **CLAIM**

(56) **References Cited**

The ornamental design for a bandage, as shown and described.

U.S. PATENT DOCUMENTS

DESCRIPTION

1,949,271 A	2/1934	Duhamel	
2,068,703 A	1/1937	Powdermaker	
2,172,455 A	9/1939	Samuel	
2,280,506 A	4/1942	Betts	
2,402,982 A	7/1946	Steenbergen	
2,432,541 A	12/1947	Peck	
2,529,060 A	11/1950	Trillich	
2,532,011 A	11/1950	Dahlquist et al.	
2,627,341 A	2/1953	Morgan	
2,676,702 A	4/1954	Whitefoot, Jr.	
2,703,083 A	3/1955	Gross	
2,721,550 A	10/1955	Banff	
2,734,503 A	2/1956	Doyle	
2,752,038 A	6/1956	Abbott	
2,806,593 A	9/1957	Abbott	
2,823,673 A *	2/1958	Schladermundt et al.	602/57
2,826,200 A	3/1958	Brien et al.	
2,836,178 A	5/1958	Barr	
2,840,080 A	6/1958	Clark	
2,858,830 A	11/1958	Robins	

FIG. 1 is a perspective view of a bandage showing my new design;

FIG. 2 is a bottom view thereof;

FIG. 3 is a side view thereof (the view from the other side is a mirror image);

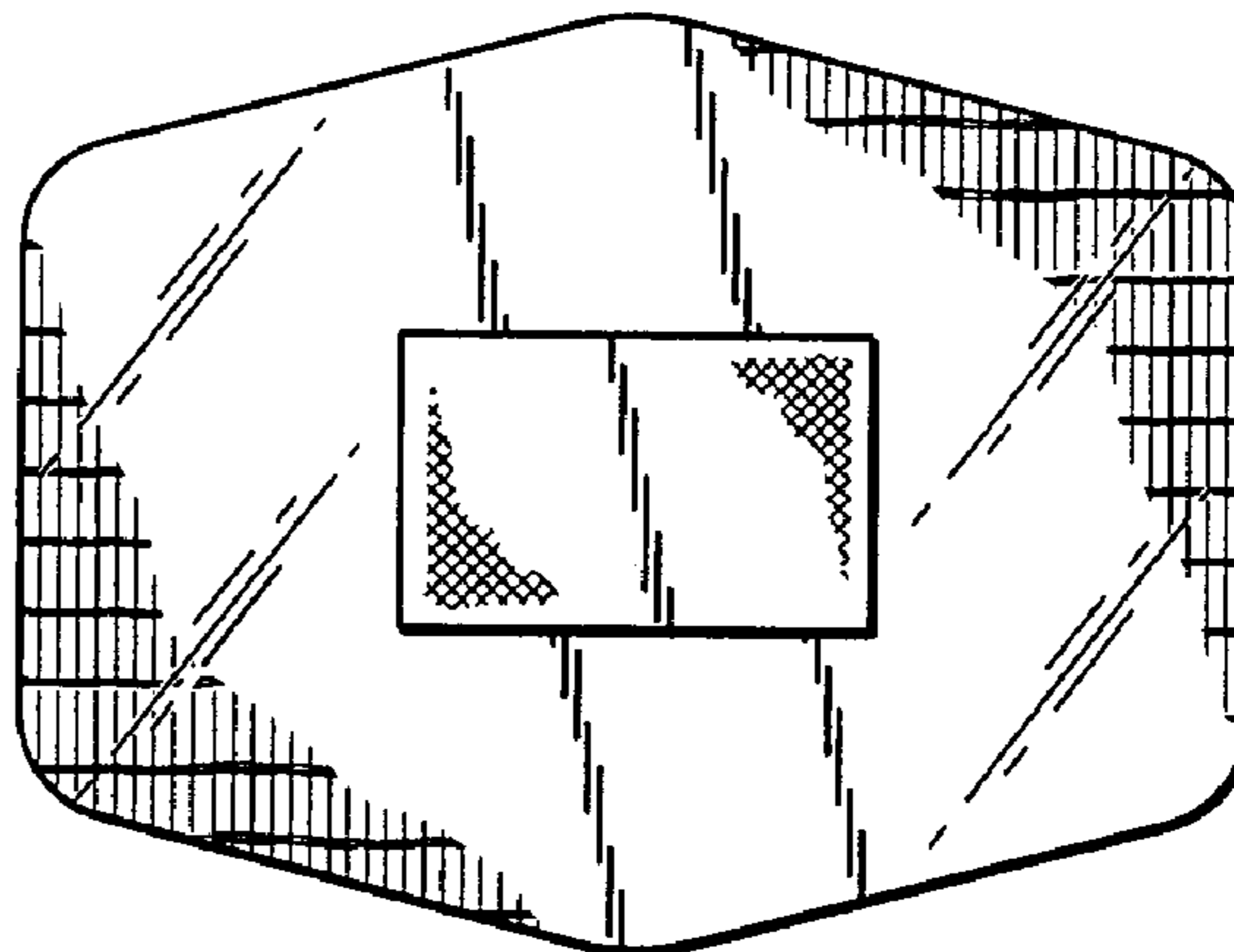
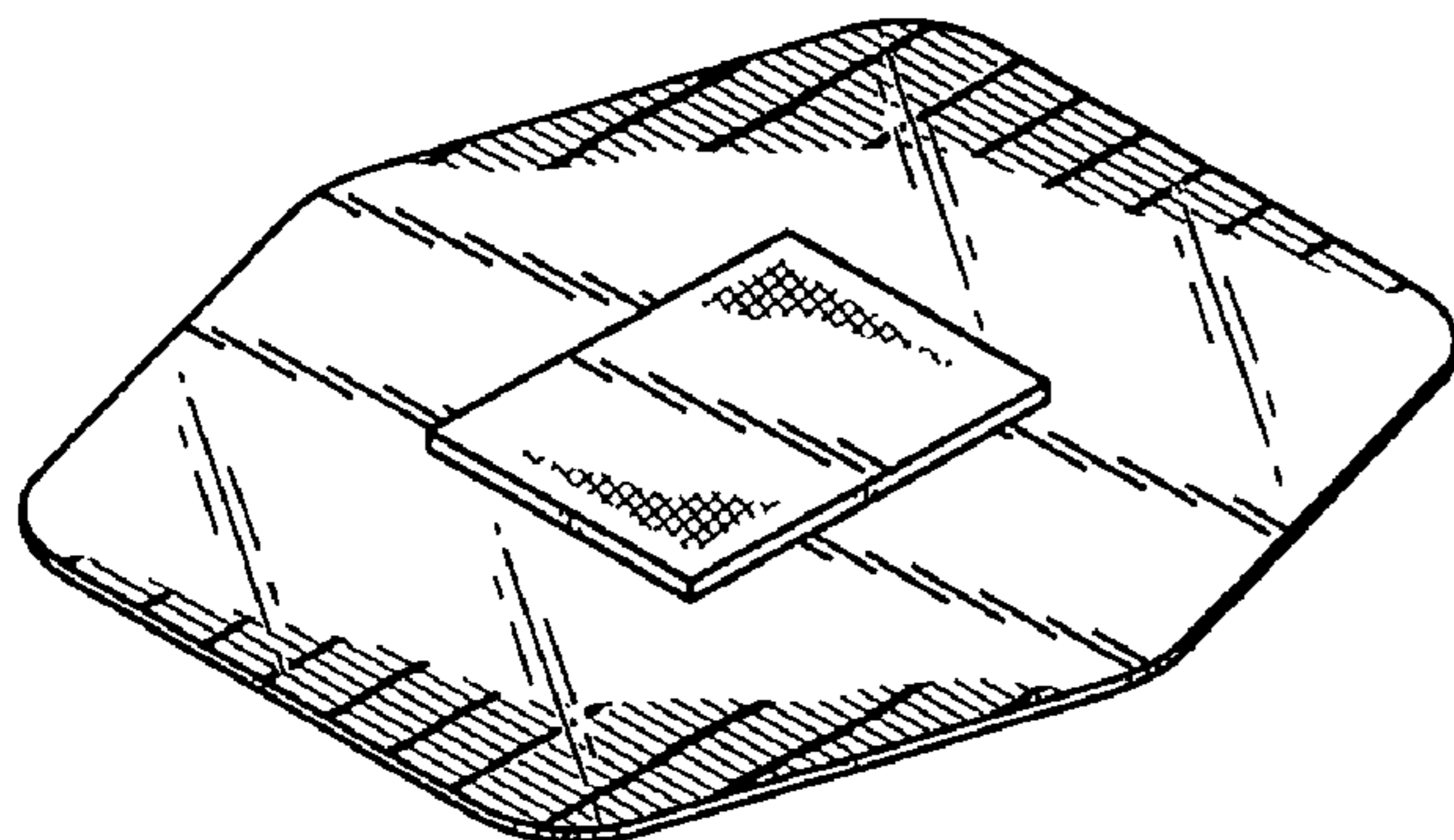
FIG. 4 is an end view thereof (the view from the other end is a mirror image); and,

FIG. 5 is a top view thereof.

FIGS. 1, 2, and 5, are presented to indicate the transparent nature of the backing for the bandage of my new design.

The fragmentary pattern of a rectangular grid seen in FIGS. 1, 2, and 5 is understood to repeat uniformly throughout the surfaces upon which it is shown.

1 Claim, 1 Drawing Sheet



US D604,423 S

U.S. PATENT DOCUMENTS					
		4,832,008 A	5/1989	Gilman	
2,905,174 A	9/1959 Smith	4,884,563 A	12/1989	Sessions	
2,924,331 A	2/1960 Hoey	4,901,714 A	2/1990	Jensen	
2,927,689 A	3/1960 Look, Jr.	4,913,138 A	4/1990	Yoshida et al.	
2,946,435 A	7/1960 Schladermundt et al.	4,915,227 A	4/1990	Johns	
RE24,906 E	12/1960 Ulrich	4,915,228 A	4/1990	Johns	
2,969,144 A	1/1961 Zackheim	4,917,112 A	4/1990	Kalt	
2,969,145 A	1/1961 Hannauer, Jr.	4,917,928 A	4/1990	Heinecke	
2,973,859 A	3/1961 Schladermundt et al.	4,917,929 A	4/1990	Heinecke	
2,992,644 A	7/1961 Plantinga et al.	RE33,353 E	9/1990	Heinecke	
3,017,990 A	1/1962 Singerman	5,018,516 A	5/1991	Gilman	
3,018,881 A	1/1962 Wall	5,035,687 A	7/1991	Sandbank	
3,020,186 A	2/1962 Lawrence	RE33,727 E	10/1991	Sims	
3,313,405 A	4/1967 Blackford	5,052,381 A	10/1991	Gilbert et al.	
3,329,548 A	7/1967 Blatz	5,061,258 A	10/1991	Martz	
3,389,827 A	6/1968 Abere et al.	5,086,764 A	2/1992	Gilman	
3,612,265 A	10/1971 Dickerson	5,088,483 A	2/1992	Heinecke	
3,645,835 A	2/1972 Hodgson	5,099,832 A	3/1992	Ward	
3,678,933 A	7/1972 Moore et al.	5,106,383 A	4/1992	Mulder et al.	
3,687,136 A	8/1972 Carmody	5,108,815 A	4/1992	Adams et al.	
3,899,077 A	8/1975 Spiegelberg	5,123,900 A	6/1992	Wick	
3,900,105 A	8/1975 Wolfelsperger	5,153,040 A	10/1992	Faasse, Jr.	
4,094,316 A	6/1978 Nathanson	5,158,555 A	10/1992	Porzilli	
4,112,177 A	9/1978 Salditt et al.	5,160,315 A	11/1992	Heinecke et al.	
4,112,213 A	9/1978 Waldman	5,230,350 A	7/1993	Fentress	
4,126,130 A	11/1978 Cowden et al.	5,264,281 A	11/1993	Arakawa et al.	
4,161,176 A	7/1979 Harris, II et al.	5,275,285 A	1/1994	Onotsky	
4,182,449 A	1/1980 Kozlow	5,277,954 A	1/1994	Carpenter et al.	
4,264,008 A	4/1981 Kozlow	5,336,162 A	8/1994	Ota et al.	
4,265,234 A	5/1981 Schaar	5,344,415 A	9/1994	DeBusk et al.	
4,281,650 A	8/1981 Spiegelberg	5,370,924 A	12/1994	Kochinke	
4,304,333 A	12/1981 Kozlow, Sr.	5,413,567 A	5/1995	Barth et al.	
4,310,509 A	1/1982 Berglund et al.	5,480,717 A	1/1996	Kundel	
4,323,557 A	4/1982 Rosso et al.	5,489,262 A	2/1996	Cartmell et al.	
4,328,057 A	5/1982 Gutow	5,520,629 A	5/1996	Heinecke et al.	
4,366,814 A	1/1983 Riedel	5,531,855 A	7/1996	Heinecke et al.	
4,374,520 A	2/1983 Grossmann et al.	5,630,430 A	5/1997	Shultz et al.	
4,413,621 A	11/1983 McCracken et al.	5,648,166 A	7/1997	Dunshee	
4,472,480 A	9/1984 Olson	5,738,642 A	4/1998	Heinecke et al.	
4,485,809 A	12/1984 Dellas	D402,371 S *	12/1998	Haynes et al.	D24/189
4,499,896 A	2/1985 Heinecke	D408,540 S	4/1999	Dunshee et al.	
4,513,739 A	4/1985 Johns	D408,541 S	4/1999	Dunshee et al.	
4,524,095 A	6/1985 Gockel et al.	D409,754 S *	5/1999	Dunshee et al.	D24/189
4,545,371 A	10/1985 Grossmann et al.	D410,087 S *	5/1999	Dunshee et al.	D24/189
4,549,063 A	10/1985 Ang et al.	D410,546 S *	6/1999	Brogden et al.	D24/189
4,549,653 A	10/1985 Lauritzen	5,910,557 A	6/1999	Audenaert et al.	
4,561,435 A	12/1985 McKnight et al.	5,939,339 A	8/1999	Delmore et al.	
4,574,030 A	3/1986 Pilcher	6,018,092 A	1/2000	Dunshee	
4,587,146 A	5/1986 Anhä user et al.	D433,139 S *	10/2000	Brogden et al.	D24/189
4,590,022 A	5/1986 Cloca et al.	D452,324 S *	12/2001	Brogden et al.	D24/189
4,595,001 A	6/1986 Potter et al.	6,372,342 B1	4/2002	Karaoglu	
4,595,011 A	6/1986 Phillips	6,384,295 B2	5/2002	Wehde	
4,596,738 A	6/1986 Metcalfe et al.	6,441,092 B1	8/2002	Gieselman	
4,598,004 A	7/1986 Heinecke	D463,564 S	9/2002	Sieglwart et al.	
4,600,001 A	7/1986 Gilman	6,497,949 B1	12/2002	Hyde et al.	
4,614,183 A	9/1986 McCracken et al.	D495,419 S *	8/2004	Dunshee	D24/189
4,664,106 A	5/1987 Snedeker	6,894,204 B2	5/2005	Dunshee	
4,669,458 A	6/1987 Abraham et al.	6,977,324 B2 *	12/2005	Serrano	602/54
4,678,462 A	7/1987 Vaillancourt	2003/0093024 A1	5/2003	Falleiros et al.	
D292,826 S *	11/1987 Sproles	2003/0114056 A1	6/2003	Sheely	
	D24/189	2004/0127121 A1	7/2004	Schwab et al.	
4,706,662 A	11/1987 Thompson				
4,718,412 A	1/1988 Nesbitt				
4,733,659 A	3/1988 Edenbaum et al.				
4,737,410 A	4/1988 Kantner	EP	0 051 935	5/1982	
4,738,257 A	4/1988 Meyer et al.	EP	0 066 899	12/1982	
4,742,826 A	5/1988 McLorg	EP	0 081 990	6/1983	
4,743,232 A	5/1988 Kruger	EP	0 161 865	11/1985	
4,744,355 A	5/1988 Faasse, Jr.	EP	0 236 104	9/1987	
4,753,232 A	6/1988 Ward	EP	0 303 422	2/1989	
4,773,409 A	9/1988 Cilento et al.	EP	0 465 023	1/1992	
4,781,293 A	11/1988 Johns	EP	0 541 251	5/1993	
4,787,380 A	11/1988 Scott	GB	2 120 104	11/1983	

FOREIGN PATENT DOCUMENTS

GB	2 131 299	6/1984	Brochure "3M Tegaserb™ Hydrocolloid Dressing 3M Tegaserb™ Thin Hydrocolloid Dressing Product Profile"; 3M Health Care; Form No. 70-2008-3817-8(861)ii; 1996. Flyer "Tegaserb™ Ulcer Dressing"; Medical-Surgical Division 3M Health Care; Form No. 70-2008-2728-8 (301)ii; 1990. Flyer "3M Tegaserb™ THIN hydrocolloid dressing"; 3M Health Care; Form No. 70-2008-6475-2(43.5)ii; 1993. Flyer "3M Tegaserb™ ulcer dressing" Medical-Surgical Division 3M Health Care; Form No. 70-2008-4530-6(5115)VP; 1991. Brochure "Wound Care"; Medical-Surgical Division 3M Health Care; Form No. 70-2008-4526-4(70.8)VP; 2-90. Flyer "3M Tegaderm™ 1624W transparent dressing"; 3M Health Care; Form No. 70-2008-6769-8(73.75)ii; 1993. Flyer "3M Tegaderm Transparent Dressing"; 3M Health Care; Form No. 70-2008-7408-2(644)ii; 1994. Brochure "Tegaderm™ Transparent Dressing—Suggested Applications and Special Techniques"; 3M Health Care; Form No. 70-2008-5413-4(321.5)11; Oct., 1991. * cited by examiner
JP	59-214449	12/1984	
JP	0907566	9/1994	
JP	D1038068	5/1999	
JP	D1264231	3/2006	
KR	30-0335503	10/2003	
TW	552061	10/1991	
TW	D 100649	6/1992	
WO	WO 94/21207	9/1994	
WO	WO 98/00080	1/1998	
WO	WO2005/112852	12/2005	

OTHER PUBLICATIONS

Fey et al., "Chapter 18—Silicone Release Coatings"; Handbook of Pressure-Sensitive Adhesive Technology; 1982; pp. 384-403.

Limová et al.; "Clinical Evaluation of Two Hydrocolloid Dressings in the Management of Venous Insufficiency Ulcers"; 3M Health Care; Form No. 70-200809650-7(76.25)ii; 1996.

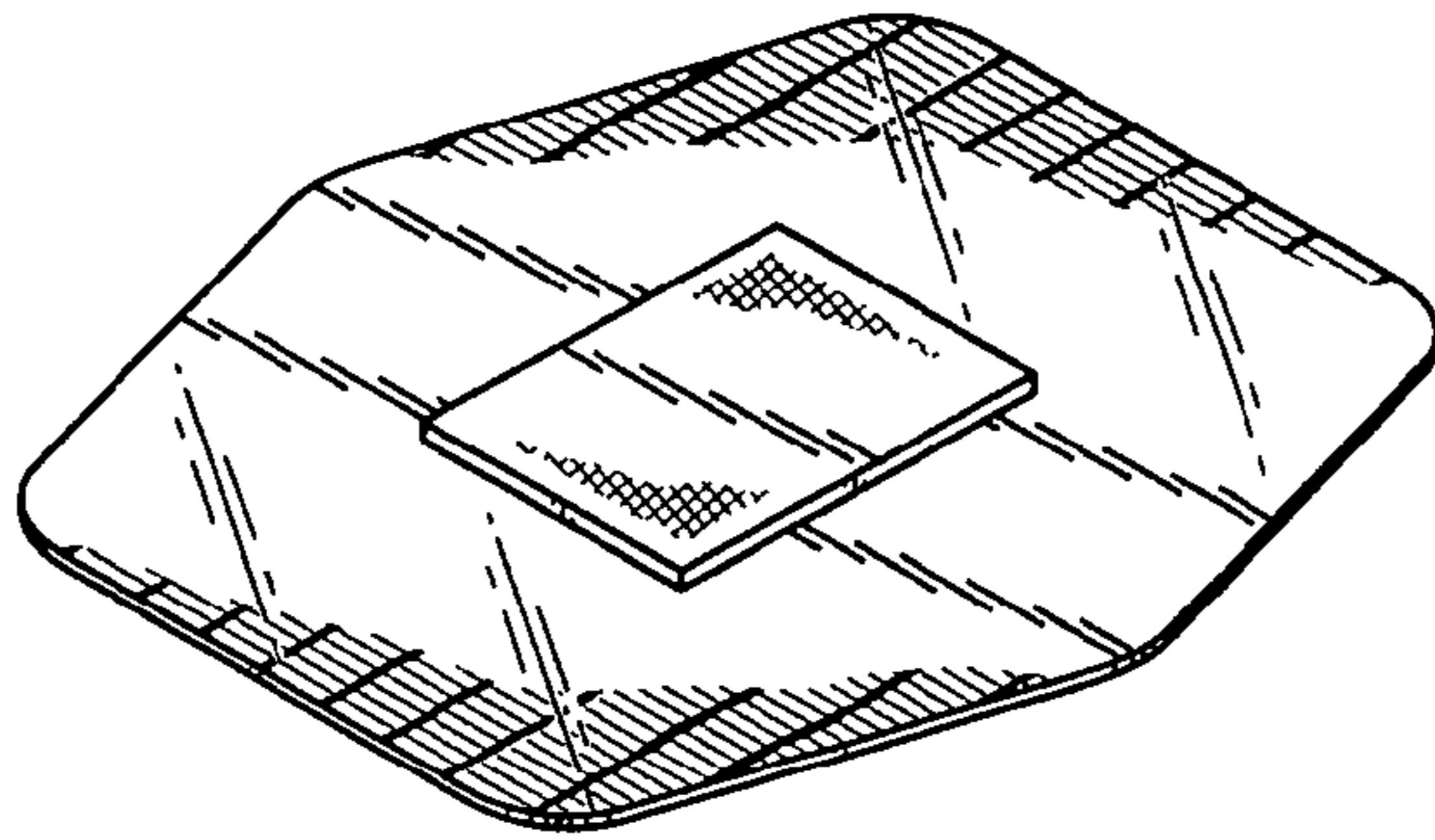


FIG. 1

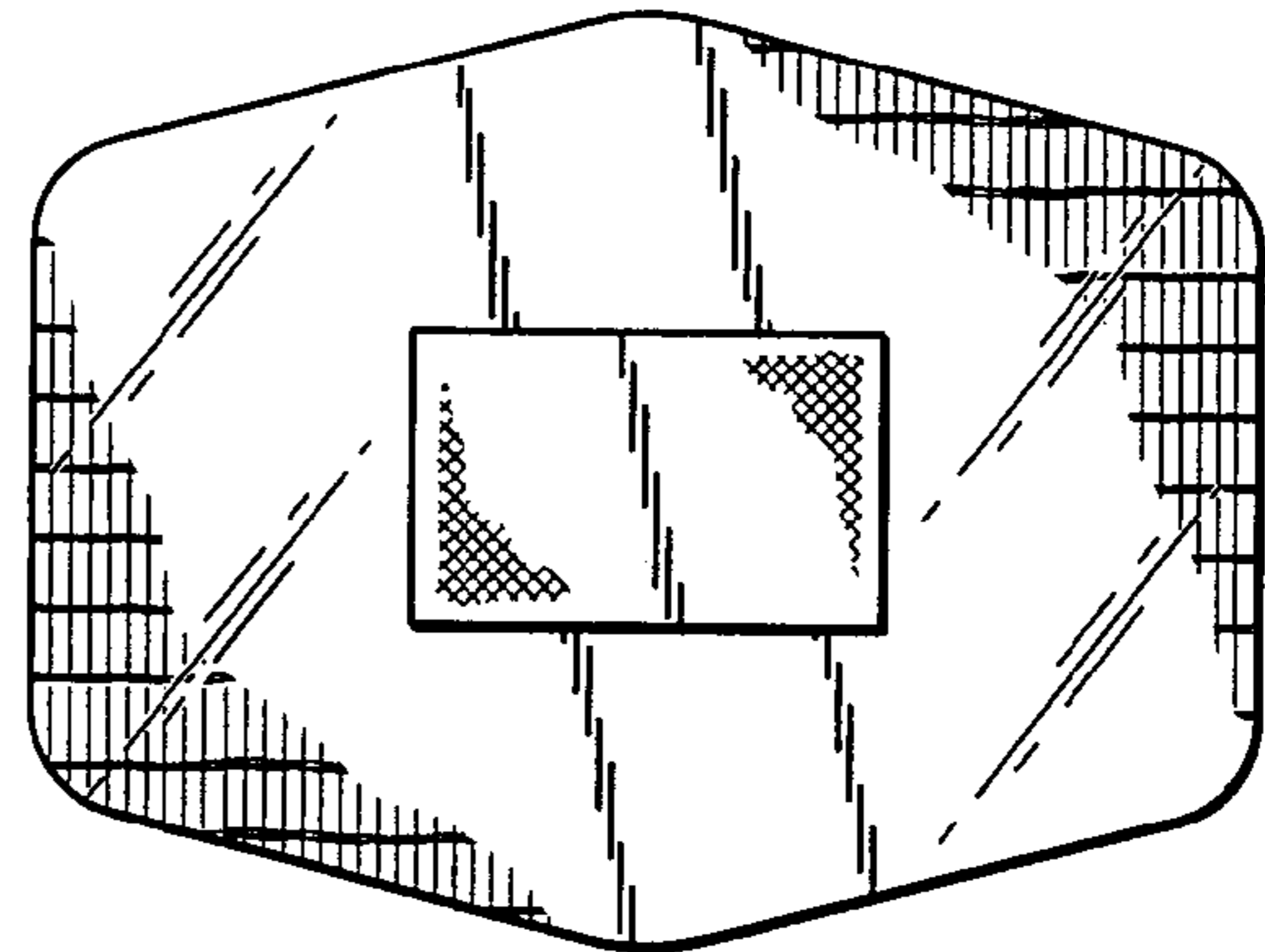


FIG. 2



FIG. 3

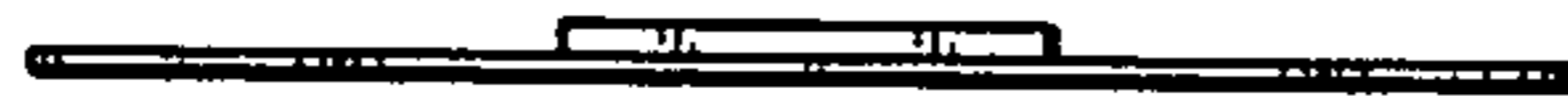


FIG. 4

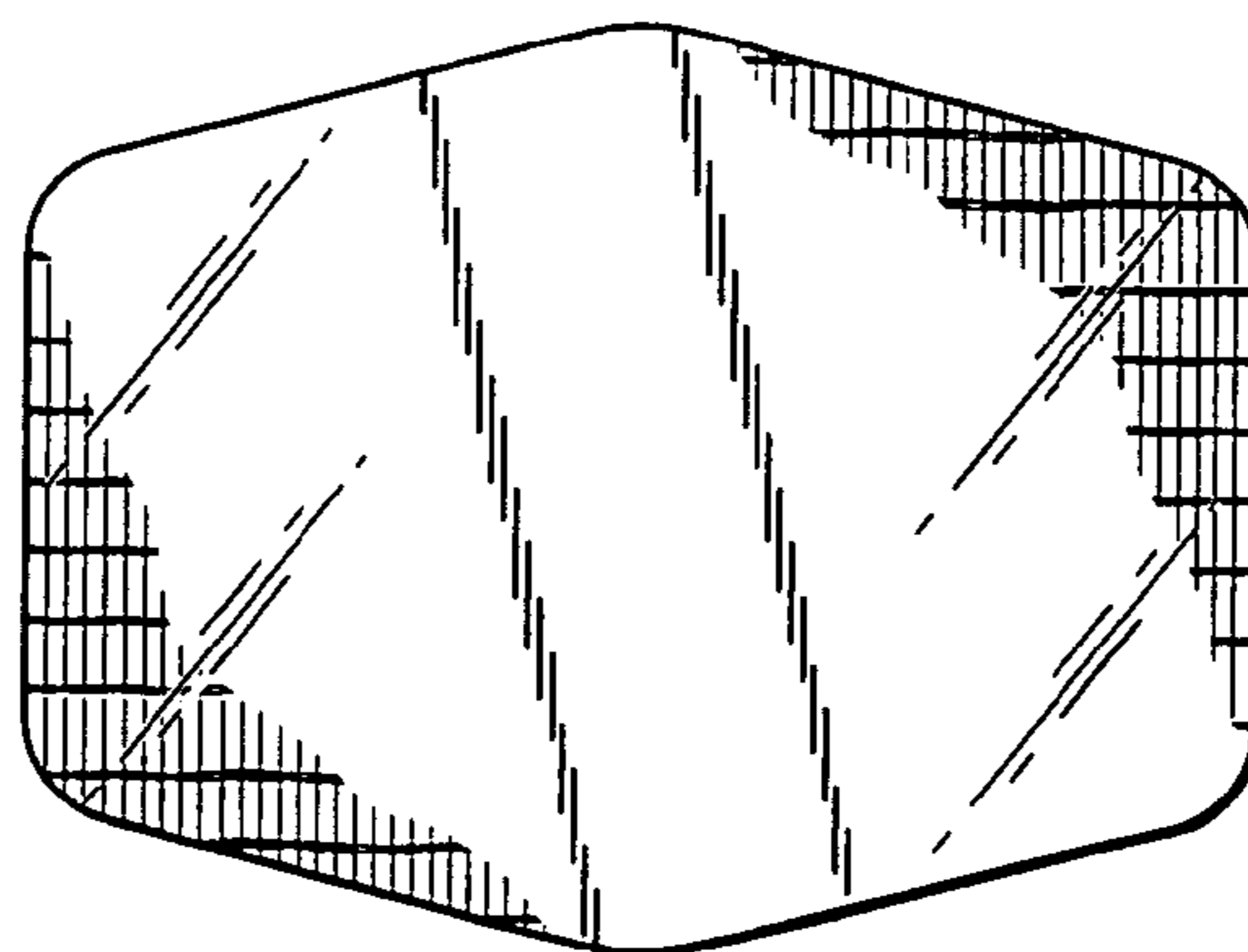


FIG. 5