



US00D604422S

(12) **United States Design Patent**  
**Albrecht et al.**

(10) **Patent No.:** **US D604,422 S**

(45) **Date of Patent:** **\*\* Nov. 17, 2009**

(54) **PATIENT-SUPPORTING PANEL OF AN OPERATING TABLE**

(75) Inventors: **Dirk Albrecht**, Jena (DE); **Martin Stohr**, Jena (DE); **Ilka Schlesiger**, Jena (DE)

(73) Assignee: **Trumpf Medizin Systeme GmbH**, Seefeld (DE)

(\*\*) Term: **14 Years**

(21) Appl. No.: **29/331,760**

(22) Filed: **Jan. 30, 2009**

(30) **Foreign Application Priority Data**

Jul. 30, 2008 (EM) ..... 000986344-0003

(51) **LOC (9) Cl.** ..... **24-01**

(52) **U.S. Cl.** ..... **D24/183**

(58) **Field of Classification Search** ..... D24/183, D24/184; D6/360-366, 367, 382, 392; 5/600, 5/607-614, 617-619, 632, 713; 108/147  
See application file for complete search history.

(56) **References Cited**

**U.S. PATENT DOCUMENTS**

3,281,141	A *	10/1966	Smiley et al. ....	5/614
D248,406	S *	7/1978	Hodge .....	D6/360
D249,359	S *	9/1978	Stott et al. ....	D6/361
D250,043	S *	10/1978	Shine .....	D24/183
D260,172	S *	8/1981	Kyle .....	D6/392
D344,802	S *	3/1994	Kuck et al. ....	D24/183
5,528,782	A *	6/1996	Pfeuffer et al. ....	5/611
D408,539	S *	4/1999	Simpkins .....	D24/184
D438,623	S *	3/2001	Tantau .....	D24/183

D461,900	S *	8/2002	Siepmann et al. ....	D24/184
D496,105	S *	9/2004	Walters et al. ....	D24/183
D574,960	S *	8/2008	Parrish et al. ....	D24/184
2004/0133979	A1 *	7/2004	Newkirk et al. ....	5/600
2004/0148703	A1 *	8/2004	Doering et al. ....	5/610
2005/0097675	A1 *	5/2005	Borders et al. ....	5/713

\* cited by examiner

*Primary Examiner*—T. Chase Nelson

*Assistant Examiner*—Mark Cavanna

(74) *Attorney, Agent, or Firm*—Fish & Richardson P.C.

(57) **CLAIM**

The ornamental design for a patient-supporting panel of an operating table, substantially as shown and described.

**DESCRIPTION**

FIG. 1 shows a perspective view of a patient-supporting panel of an operating table showing our new design,

FIG. 2 shows a head end view thereof;

FIG. 3 shows a foot end view thereof;

FIG. 4 shows a right side view thereof;

FIG. 5 shows a left side view thereof;

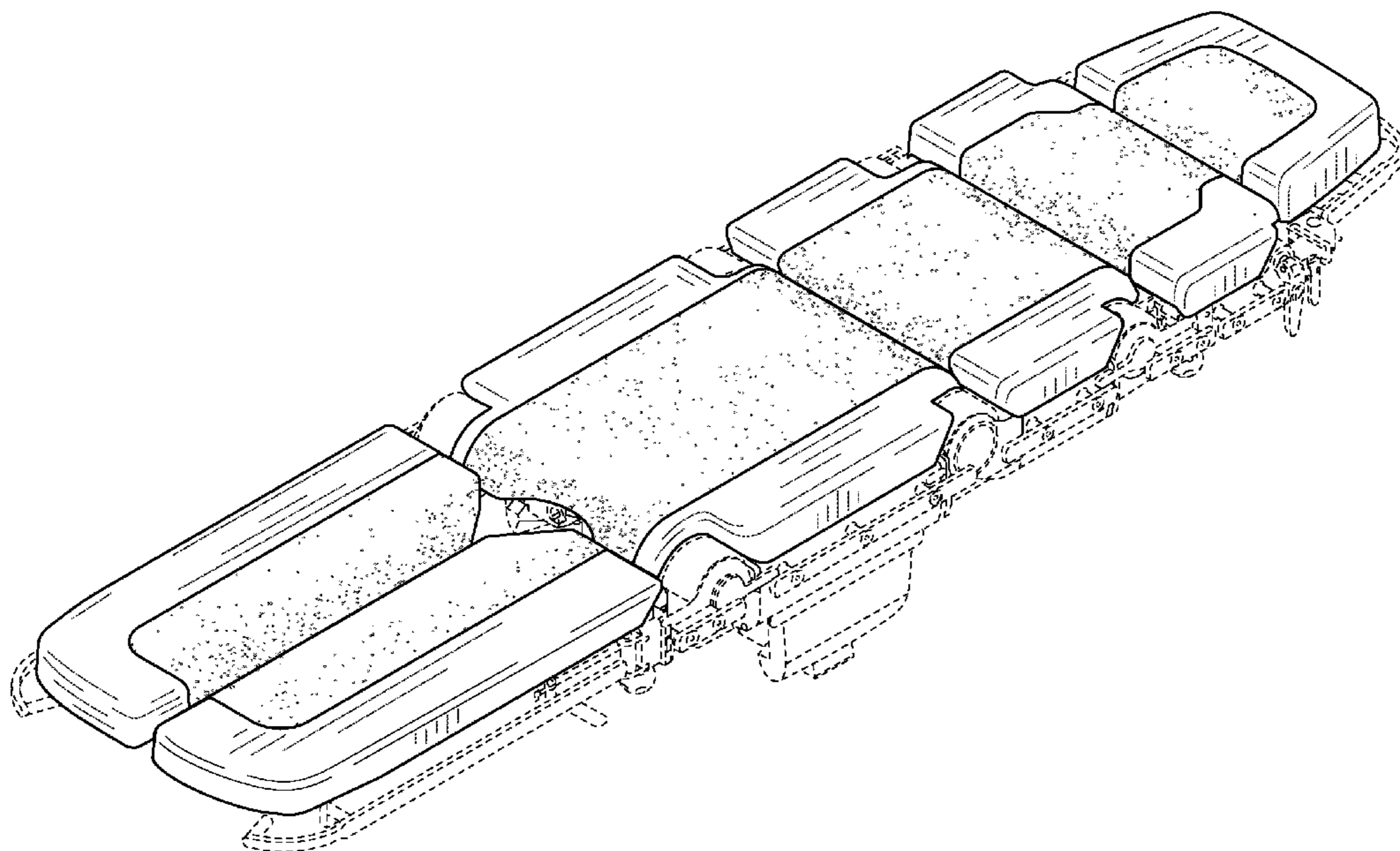
FIG. 6 shows a top view thereof; and,

FIG. 7 shows a bottom view thereof.

The broken lines are included for the purpose of illustrating portions of the patient-supporting panel of an operating table that forms no part of the claimed design.

The outer edge portions of the bolsters are illustrated with a different shading than the central bolster regions, in top view, to indicate a difference in color or texture.

**1 Claim, 4 Drawing Sheets**



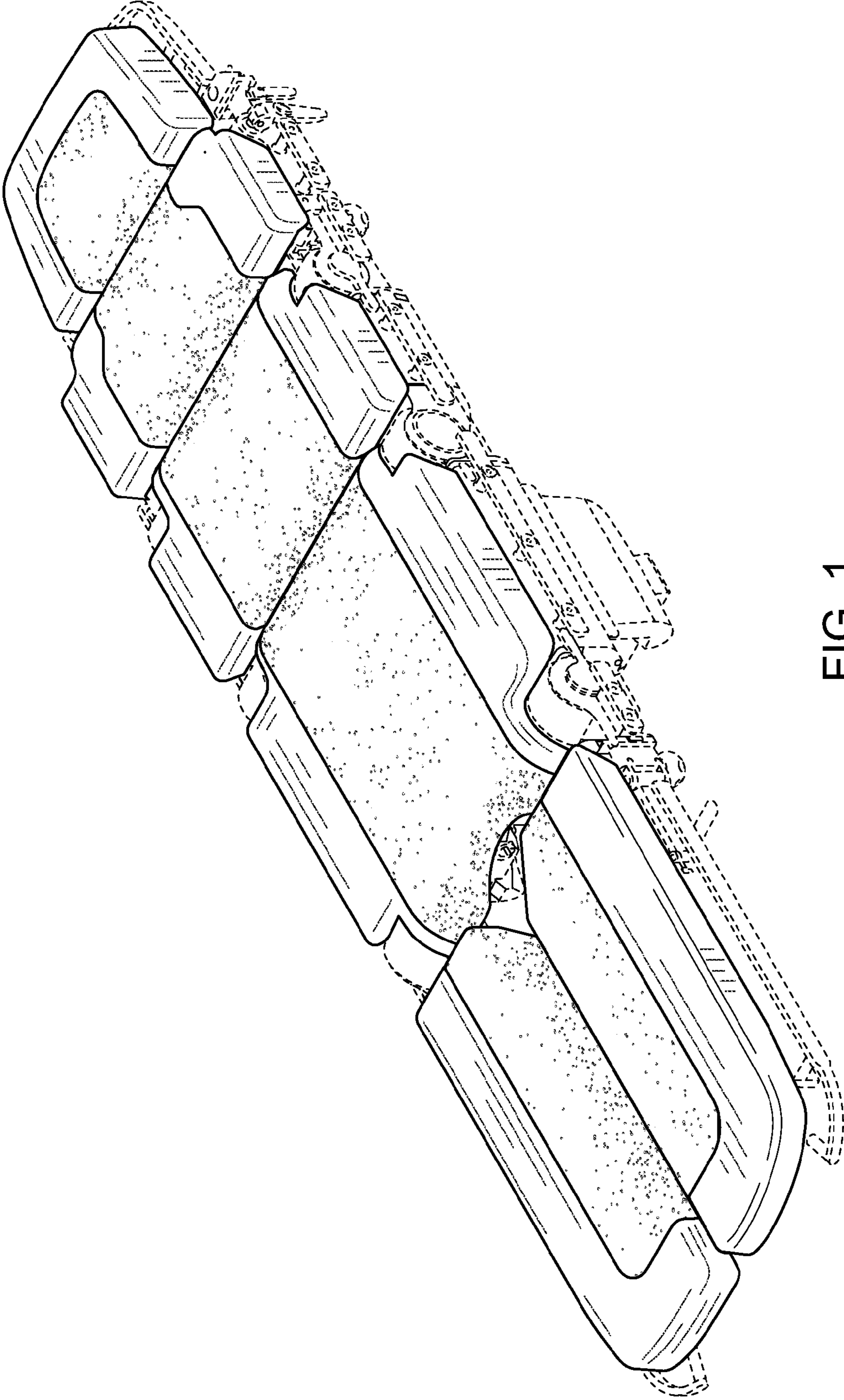


FIG. 1

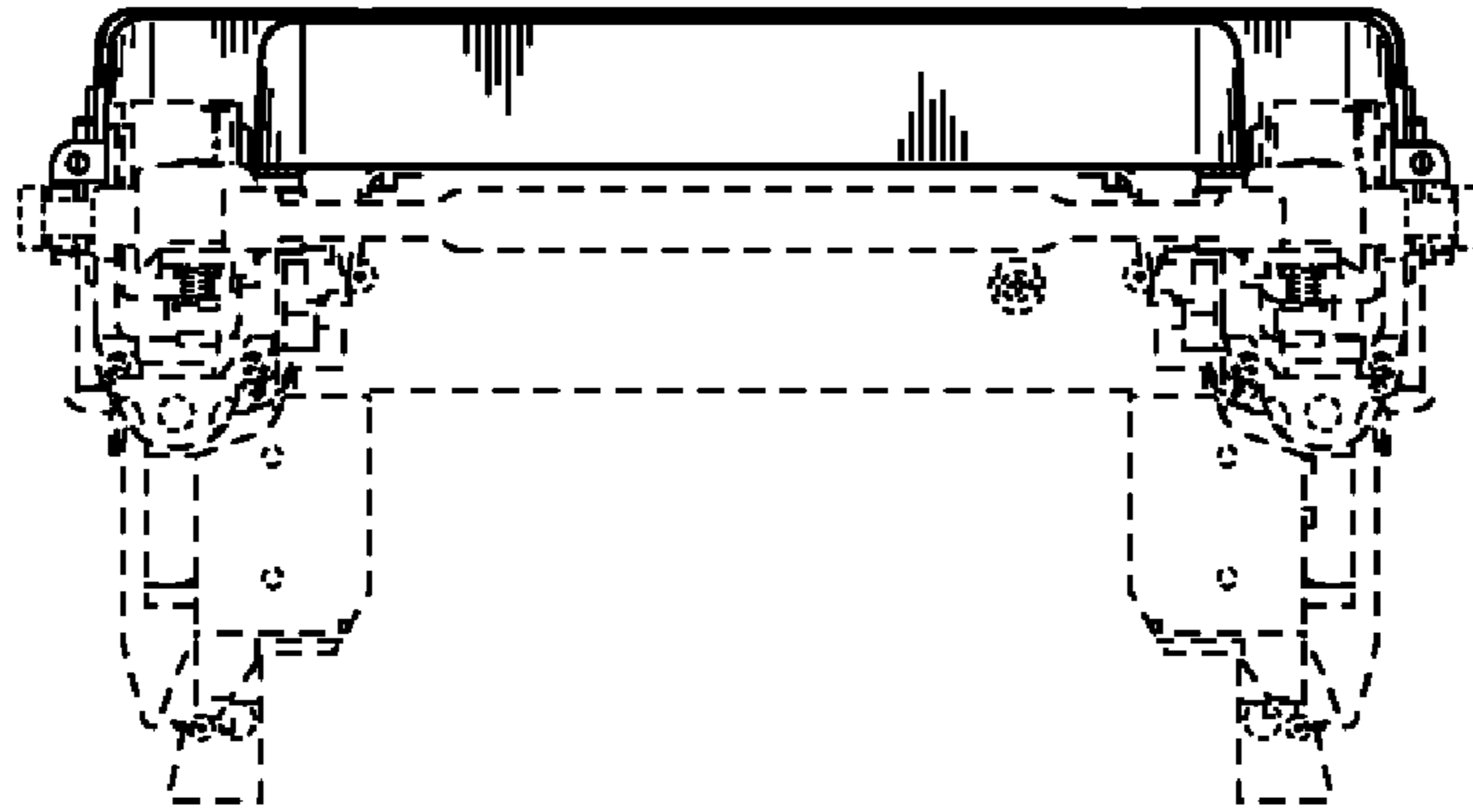


FIG. 2

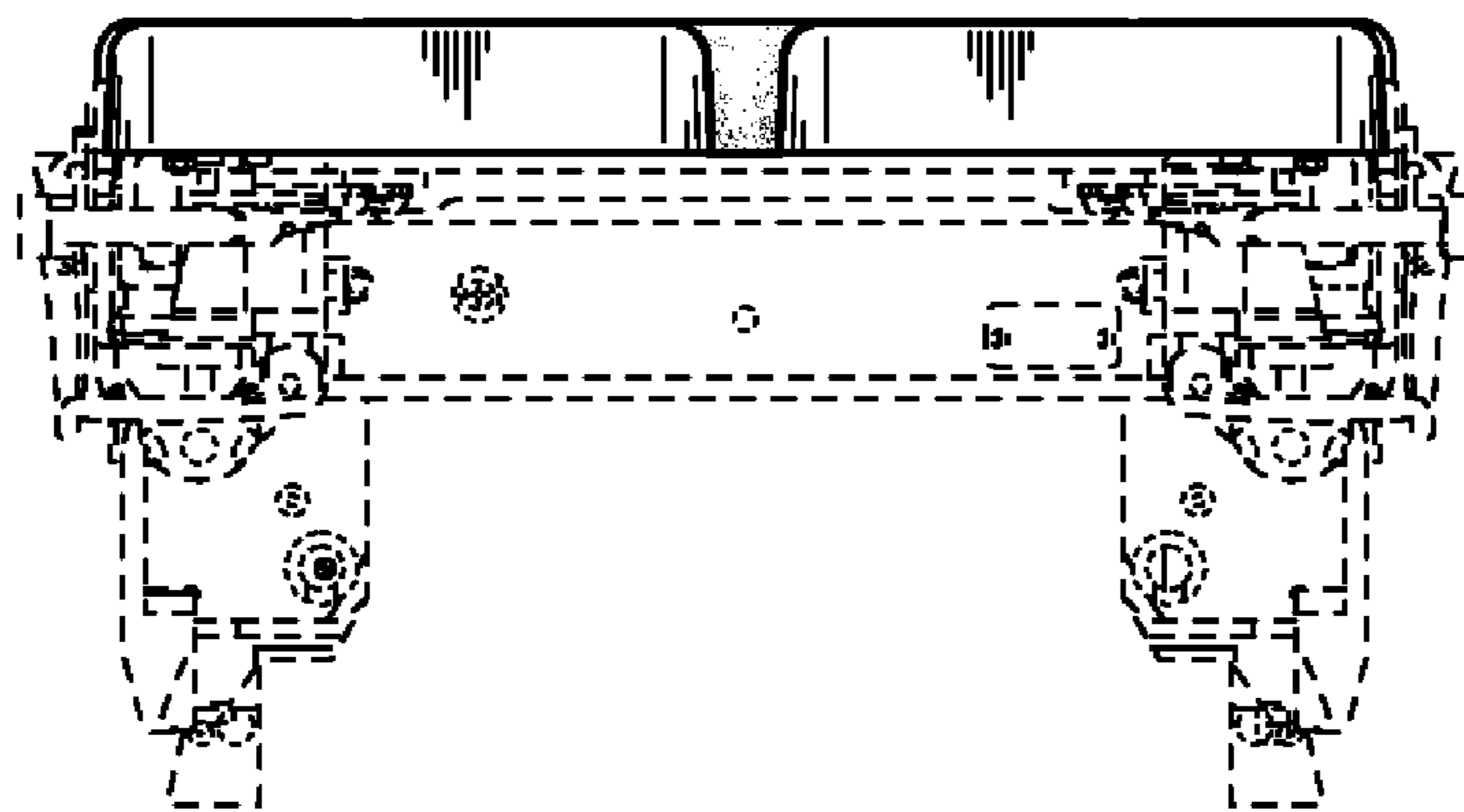


FIG. 3

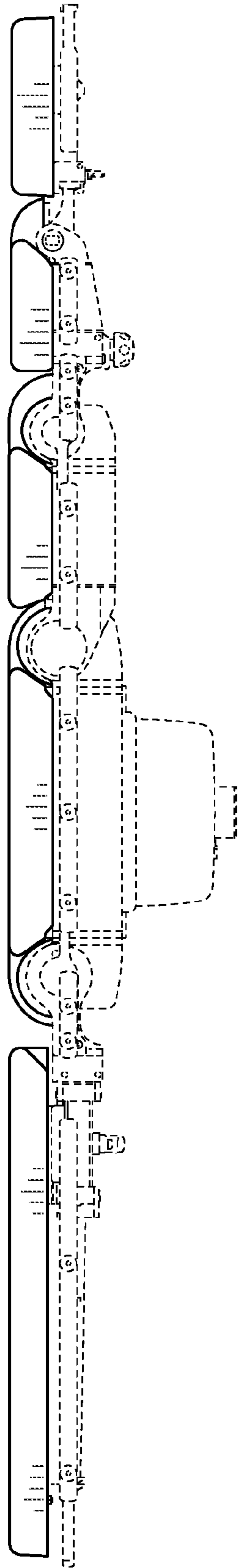


FIG. 4

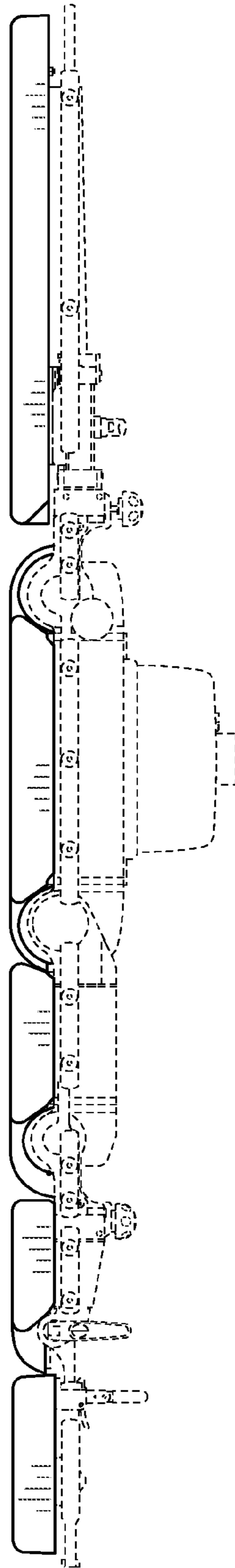


FIG. 5

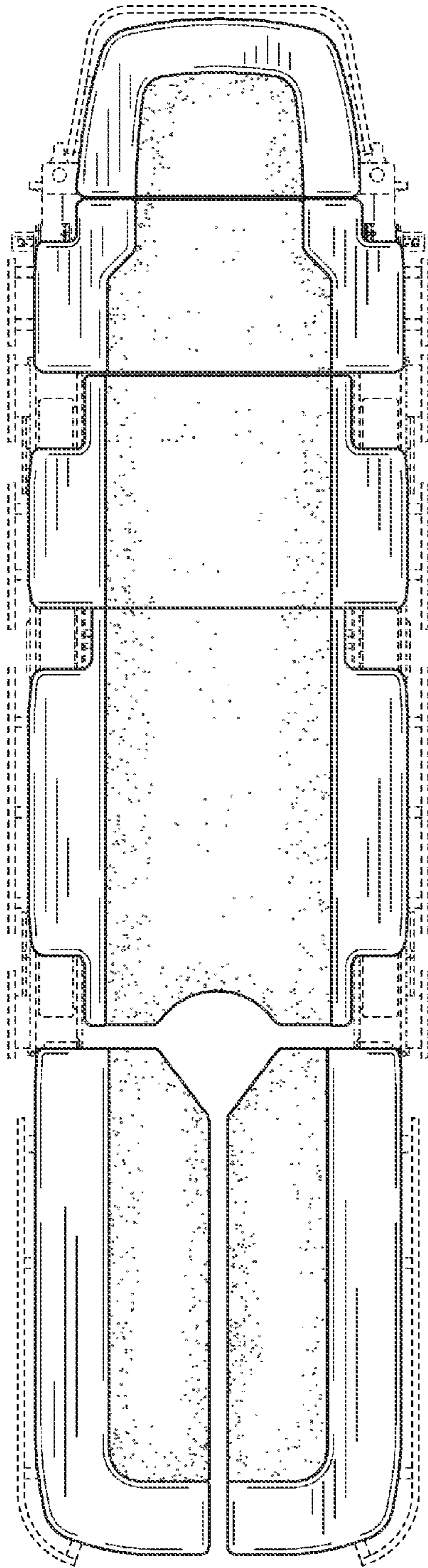


FIG. 6

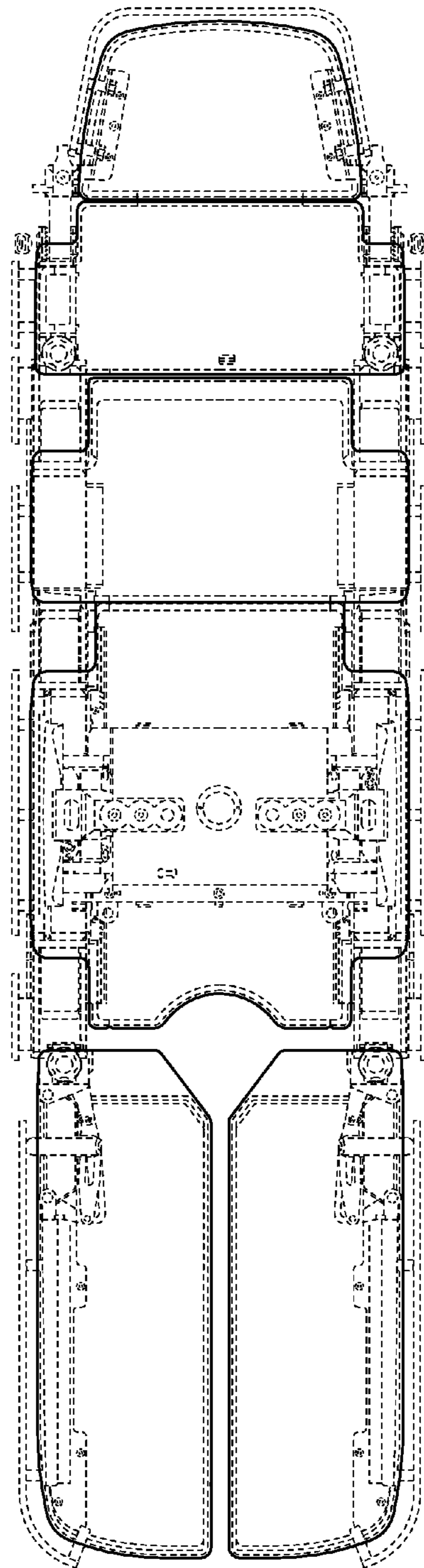


FIG. 7

UNITED STATES PATENT AND TRADEMARK OFFICE  
**CERTIFICATE OF CORRECTION**

PATENT NO. : Des. 604,422 S  
APPLICATION NO. : 29/331760  
DATED : November 17, 2009  
INVENTOR(S) : Dirk Albrecht, Martin Stohr and Ilka Schlesiger

Page 1 of 1

It is certified that error appears in the above-identified patent and that said Letters Patent is hereby corrected as shown below:

**On the Title Page, Item (73) in the listing of the Assignee, please delete “Seafeld” and insert --Saalfeld--.**

Signed and Sealed this

Twenty-third Day of February, 2010

A handwritten signature in black ink that reads "David J. Kappos". The signature is written in a cursive style with a large initial 'D' and 'K'.

David J. Kappos  
*Director of the United States Patent and Trademark Office*