



US00D604421S

(12) **United States Design Patent**
Albrecht et al.

(10) **Patent No.:** **US D604,421 S**

(45) **Date of Patent:** **** Nov. 17, 2009**

(54) **PATIENT-SUPPORTING PANEL OF AN OPERATING TABLE**
(75) Inventors: **Dirk Albrecht**, Jena (DE); **Martin Stohr**, Jena (DE); **Ilka Schlesiger**, Jena (DE)

(73) Assignee: **Trumpf Medizin Systeme GmbH**, Saalfeld (DE)

(**) Term: **14 Years**

(21) Appl. No.: **29/331,758**

(22) Filed: **Jan. 30, 2009**

(30) **Foreign Application Priority Data**
Jul. 30, 2008 (EM) 000986344-0002

(51) **LOC (9) Cl.** **24-01**
(52) **U.S. Cl.** **D24/183**
(58) **Field of Classification Search** D24/183, D24/184; D6/360-366, 367, 382, 392; 5/600, 5/607-614, 617-619, 622, 632, 713; 108/147
See application file for complete search history.

(56) **References Cited**

U.S. PATENT DOCUMENTS

3,281,141 A * 10/1966 Smiley et al. 5/614
D248,406 S * 7/1978 Hodge D6/360
D249,359 S * 9/1978 Stott et al. D6/361
D250,043 S * 10/1978 Shine D24/183
D260,172 S * 8/1981 Kyle D6/392
D344,802 S * 3/1994 Kuck et al. D24/183
5,528,782 A * 6/1996 Pfeuffer et al. 5/611

D408,539 S * 4/1999 Simpkins D24/184
D438,623 S * 3/2001 Tantau D24/183
D461,900 S * 8/2002 Siepmann et al. D24/184
D496,105 S * 9/2004 Walters et al. D24/183
D574,960 S * 8/2008 Parrish et al. D24/184
2004/0133979 A1 * 7/2004 Newkirk et al. 5/600
2004/0148703 A1 * 8/2004 Doering et al. 5/610
2005/0097675 A1 * 5/2005 Borders et al. 5/713

* cited by examiner

Primary Examiner—T. Chase Nelson
Assistant Examiner—Mark Cavanna
(74) *Attorney, Agent, or Firm*—Fish & Richardson P.C.

(57) **CLAIM**

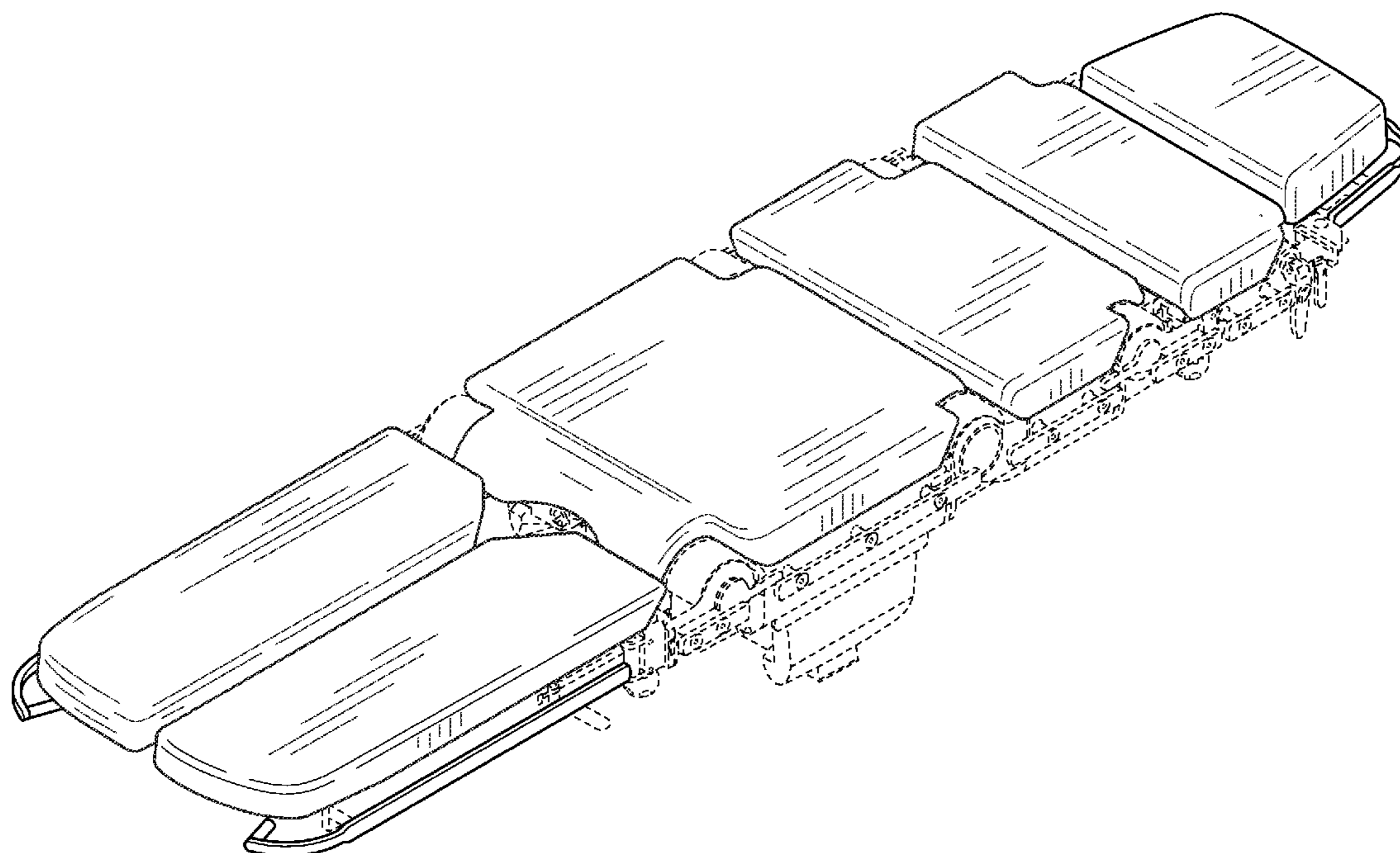
The ornamental design for a patient-supporting panel of an operating table, substantially as shown and described.

DESCRIPTION

FIG. 1 shows a perspective view of a patient-supporting panel of an operating table showing our new design,
FIG. 2 shows a head end view thereof;
FIG. 3 shows a foot end view thereof;
FIG. 4 shows a right side view thereof;
FIG. 5 shows a left side view thereof;
FIG. 6 shows a top view thereof; and,
FIG. 7 shows a bottom view thereof.

The broken lines are included for the purpose of illustrating portions of the patient-supporting panel of an operating table that form no part of the claimed design.

1 Claim, 4 Drawing Sheets



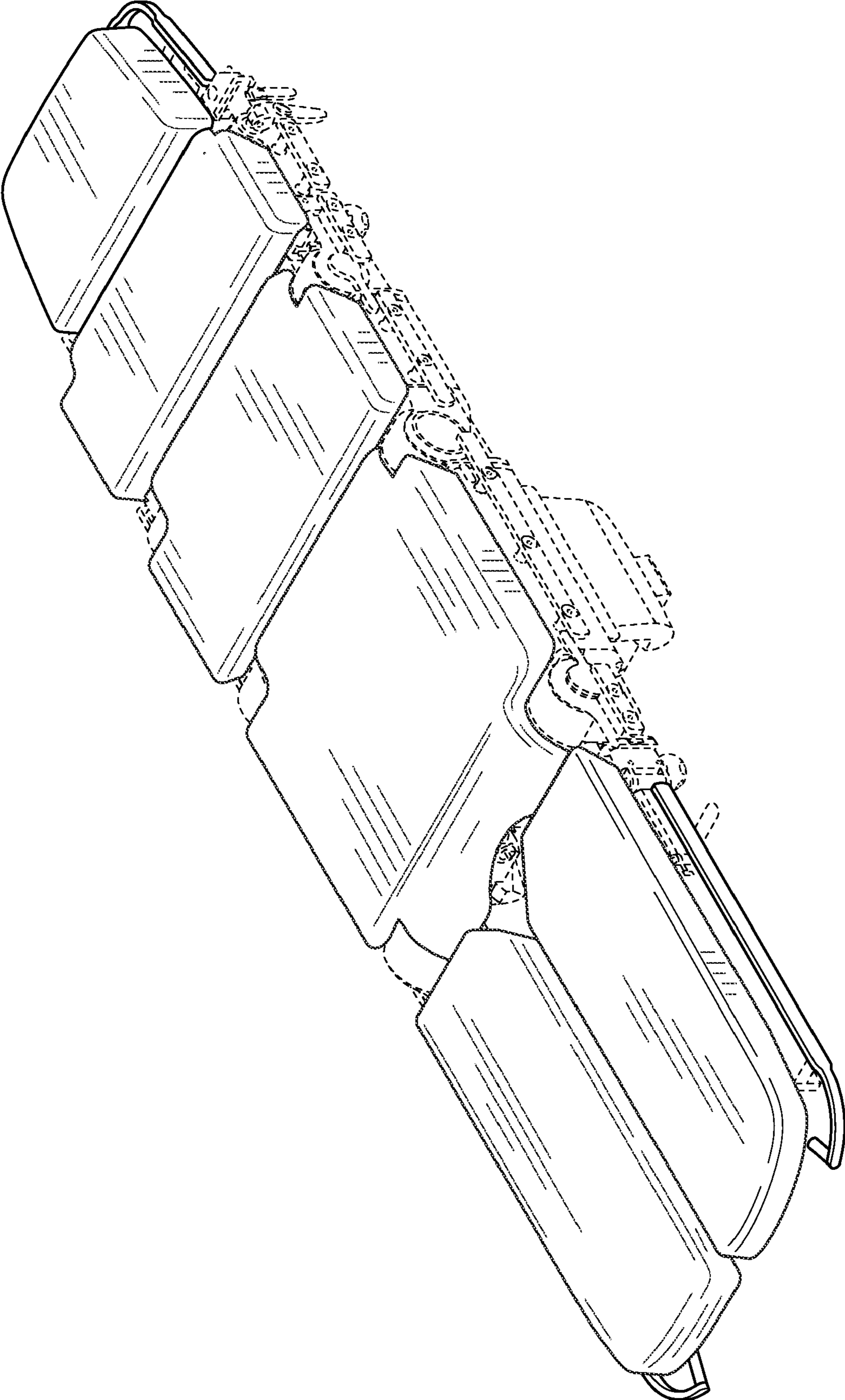


FIG. 1

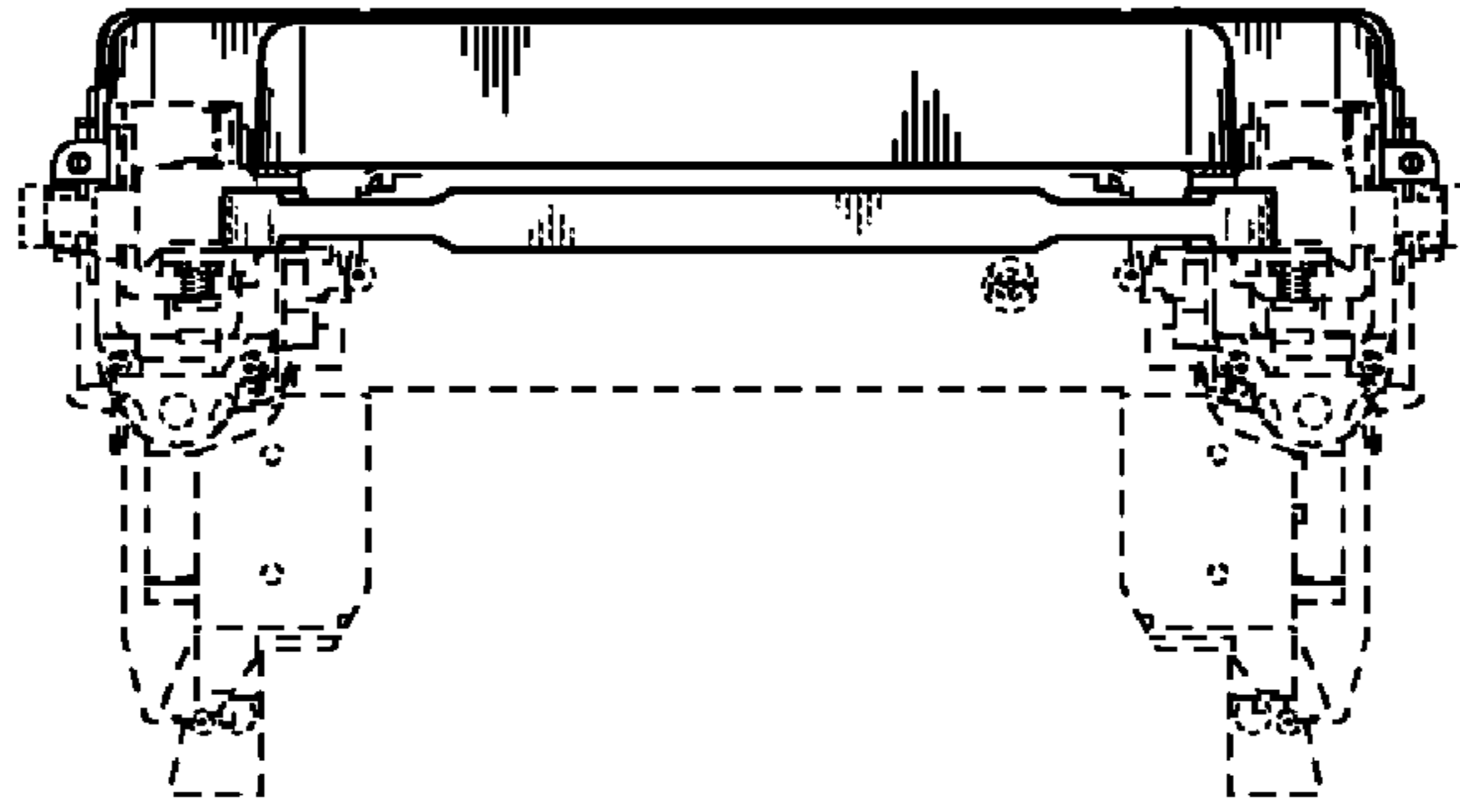


FIG. 2

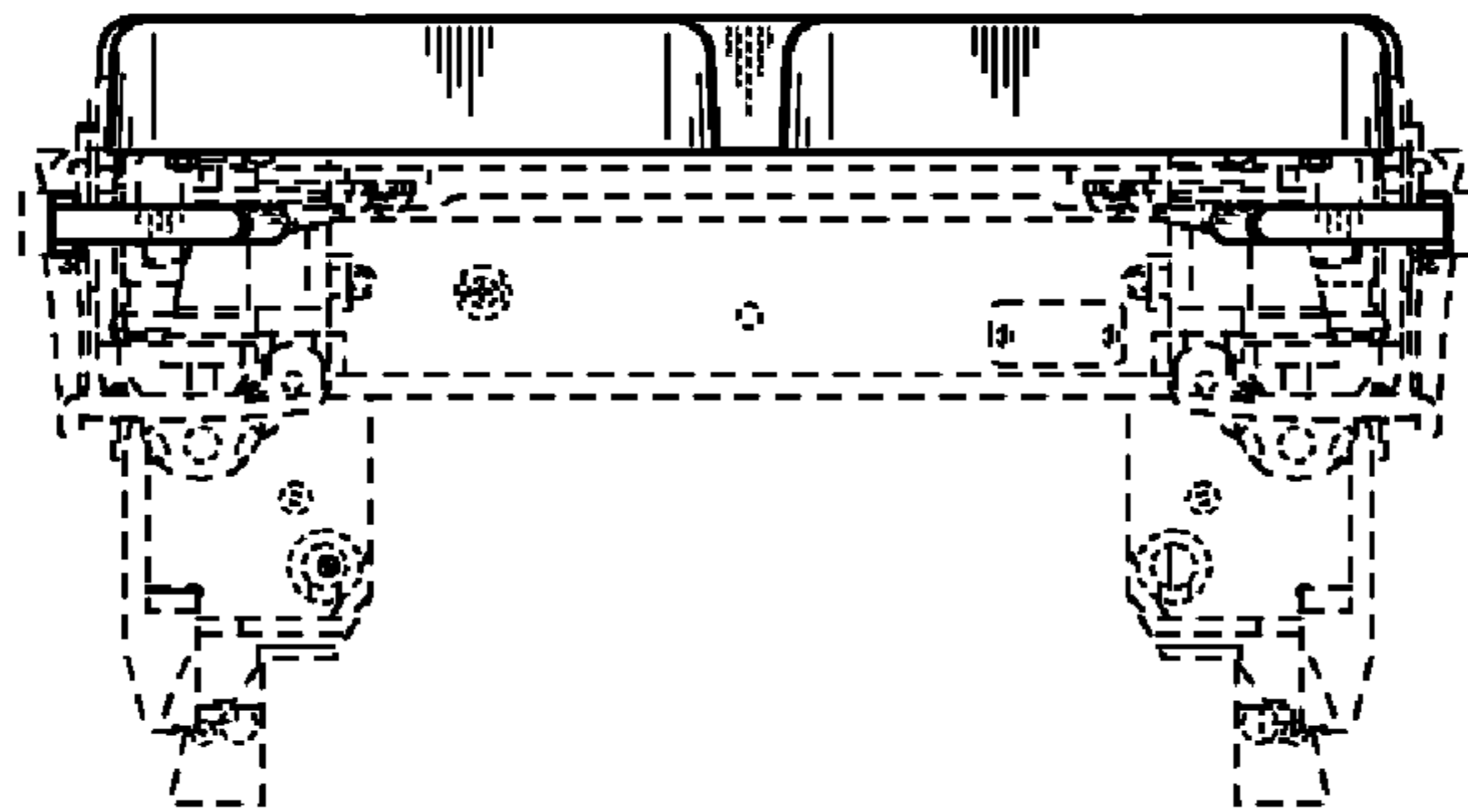


FIG. 3

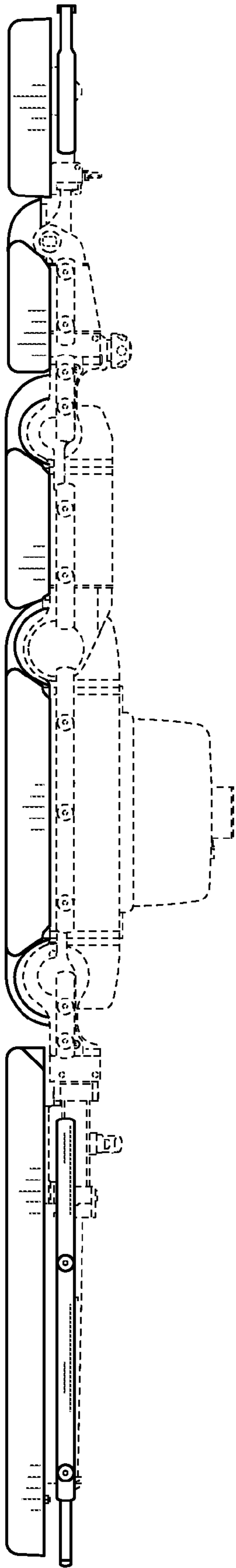


FIG. 4

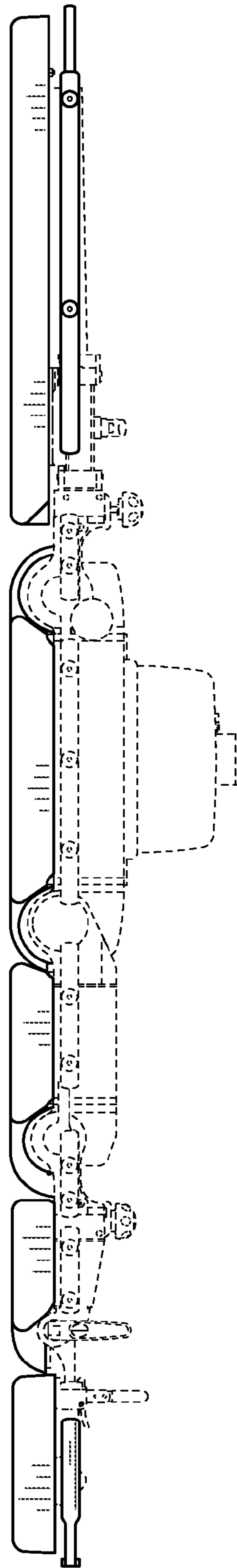


FIG. 5

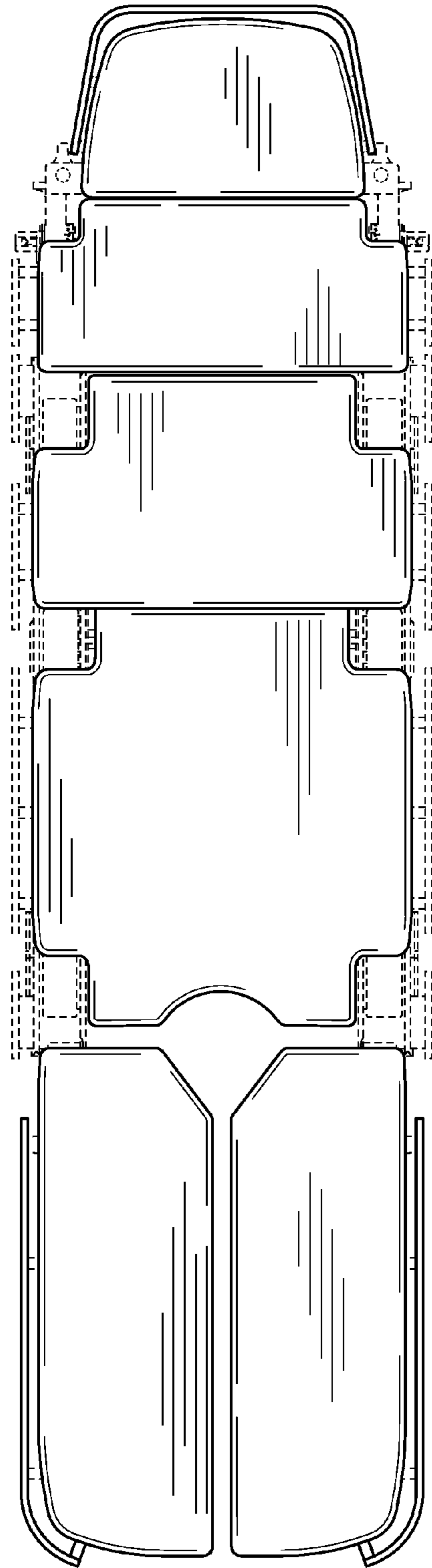


FIG. 6

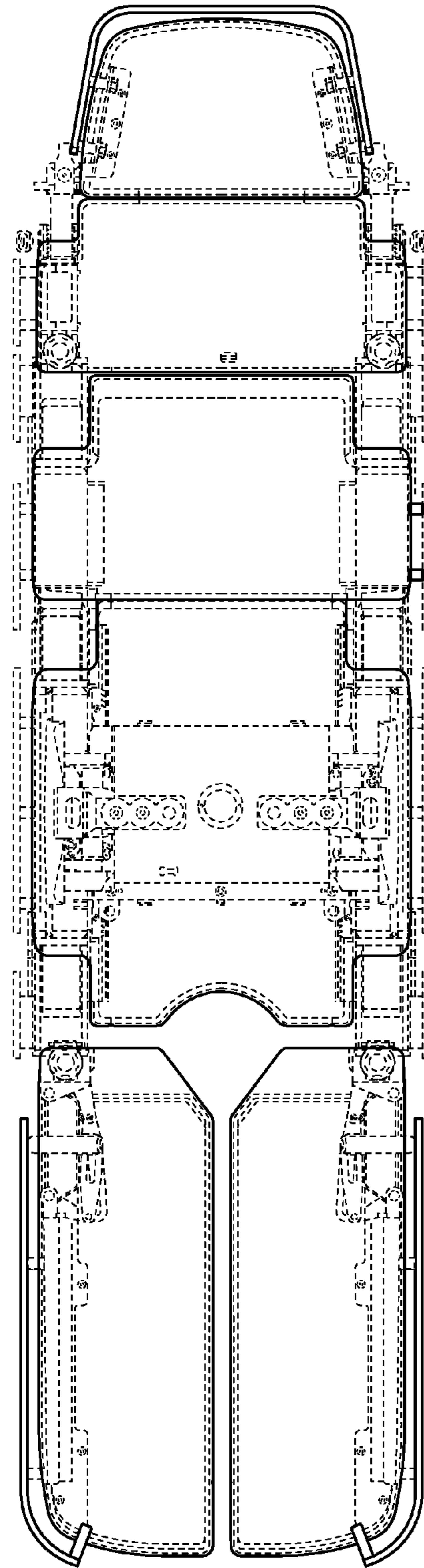


FIG. 7