



US00D604420S

(12) **United States Design Patent**  
**Riley**

(10) **Patent No.:** **US D604,420 S**

(45) **Date of Patent:** **\*\* \*Nov. 17, 2009**

(54) **ADJUSTABLE LEG SUPPORT**

(76) Inventor: **Thomas J. Riley**, 811 Bromfield Ter., St. Louis, MO (US) 63021

(\*) Notice: This patent is subject to a terminal disclaimer.

(\*\*) Term: **14 Years**

(21) Appl. No.: **29/329,071**

(22) Filed: **Dec. 8, 2008**

(51) **LOC (9) Cl.** ..... **24-04**

(52) **U.S. Cl.** ..... **D24/183**

(58) **Field of Classification Search** ..... D24/183-184, D24/188, 190, 192, 231; D6/353, 361, 367, D6/601; 5/632, 648; 601/34; 602/16, 23, 602/33, 36, 38, 40; 128/845

See application file for complete search history.

(56) **References Cited**

U.S. PATENT DOCUMENTS

D359,804 S	*	6/1995	Carter	.....	D24/183
D361,383 S	*	8/1995	Lipson et al.	.....	D24/183
D375,163 S	*	10/1996	Lipson et al.	.....	D24/183
D376,428 S	*	12/1996	Lipson et al.	.....	D24/183
D424,698 S	*	5/2000	Ames	.....	D24/190
D518,894 S	*	4/2006	Kirn	.....	D24/184
D521,301 S	*	5/2006	Dickson	.....	D6/601
D535,030 S	*	1/2007	Brefka et al.	.....	D24/184

D553,371 S	*	10/2007	Haskell	.....	D6/353
D561,341 S	*	2/2008	Riley	.....	D24/184

\* cited by examiner

*Primary Examiner*—Robert A. Delehanty

*Assistant Examiner*—Mark Cavanna

(74) *Attorney, Agent, or Firm*—Charles McCloskey

(57) **CLAIM**

The ornamental design for adjustable leg support, as shown and described.

**DESCRIPTION**

FIG. 1 is a front view of the adjustable leg support with support in the up position showing my new design;

FIG. 2 is a rear view thereof;

FIG. 3 is a side view thereof;

FIG. 4 is a front view of the adjustable leg support with support in the down position;

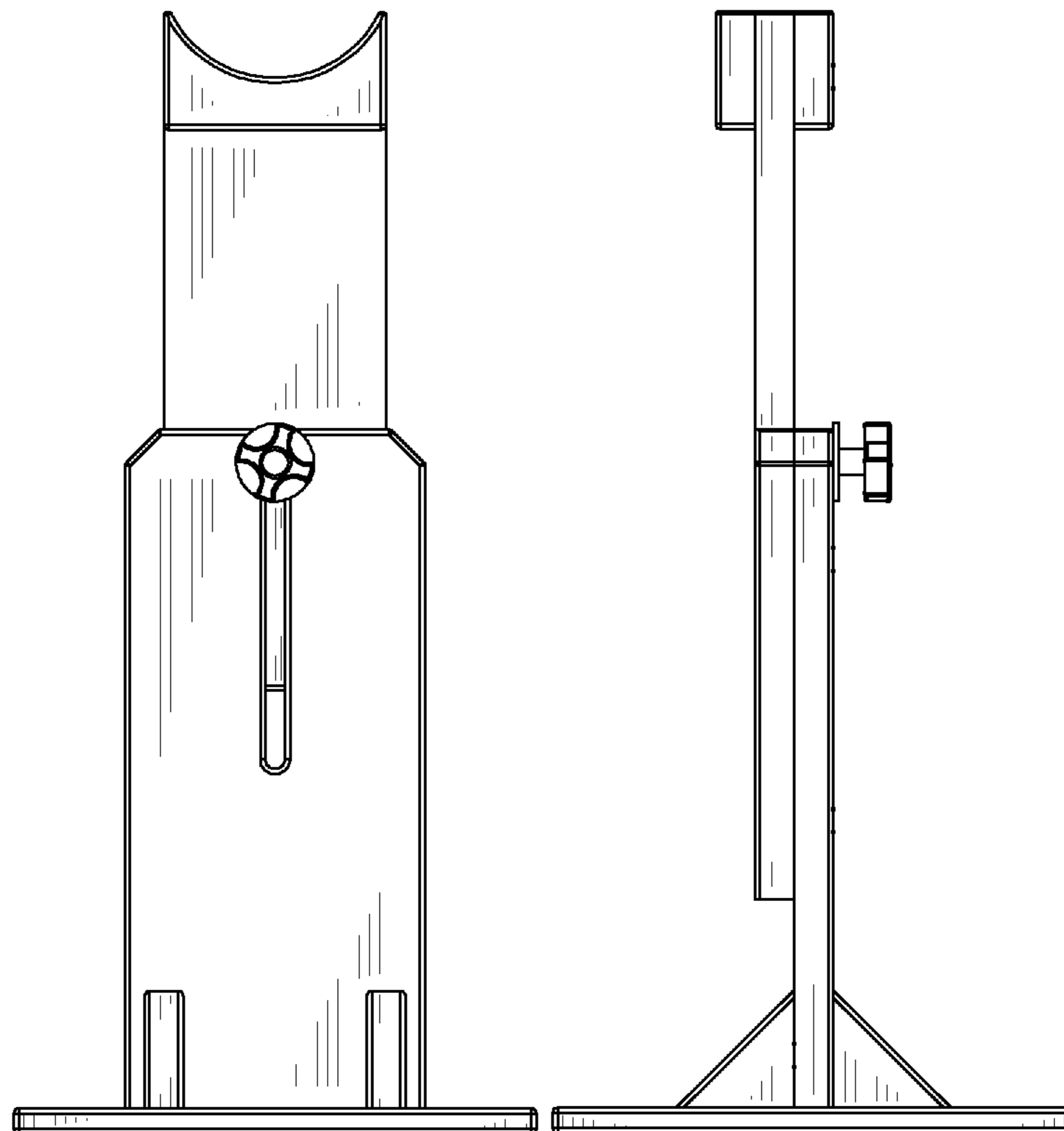
FIG. 5 is a rear view thereof;

FIG. 6 is a side view thereof; and,

FIG. 7 is a side view of the adjustable leg support shown greatly reduced in a condition of use.

The broken line showing of human form and treatment table is included for the purpose of illustrating a portion of the adjustable leg support that forms no part of the claimed design.

**1 Claim, 7 Drawing Sheets**



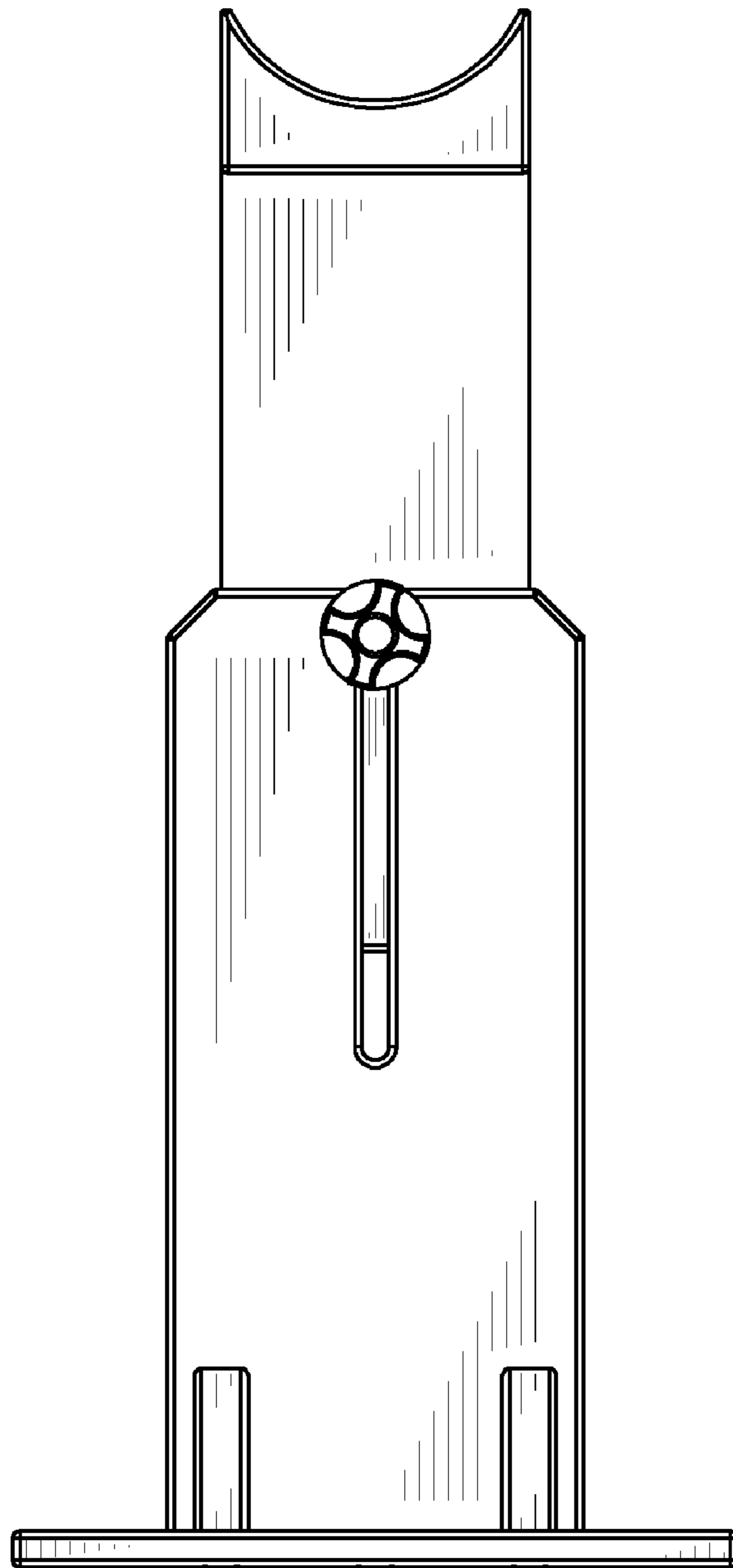


Fig. 1

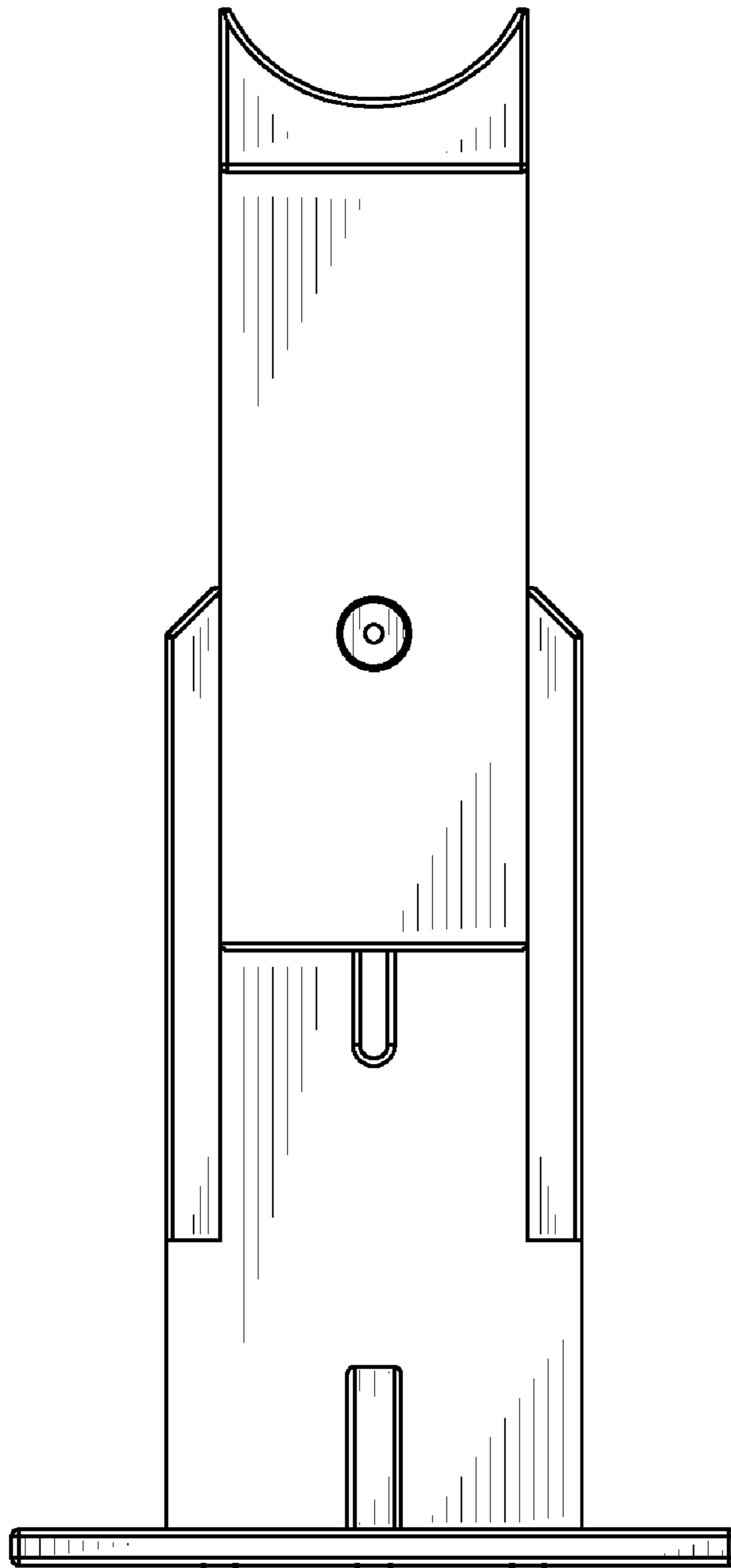


Fig. 2

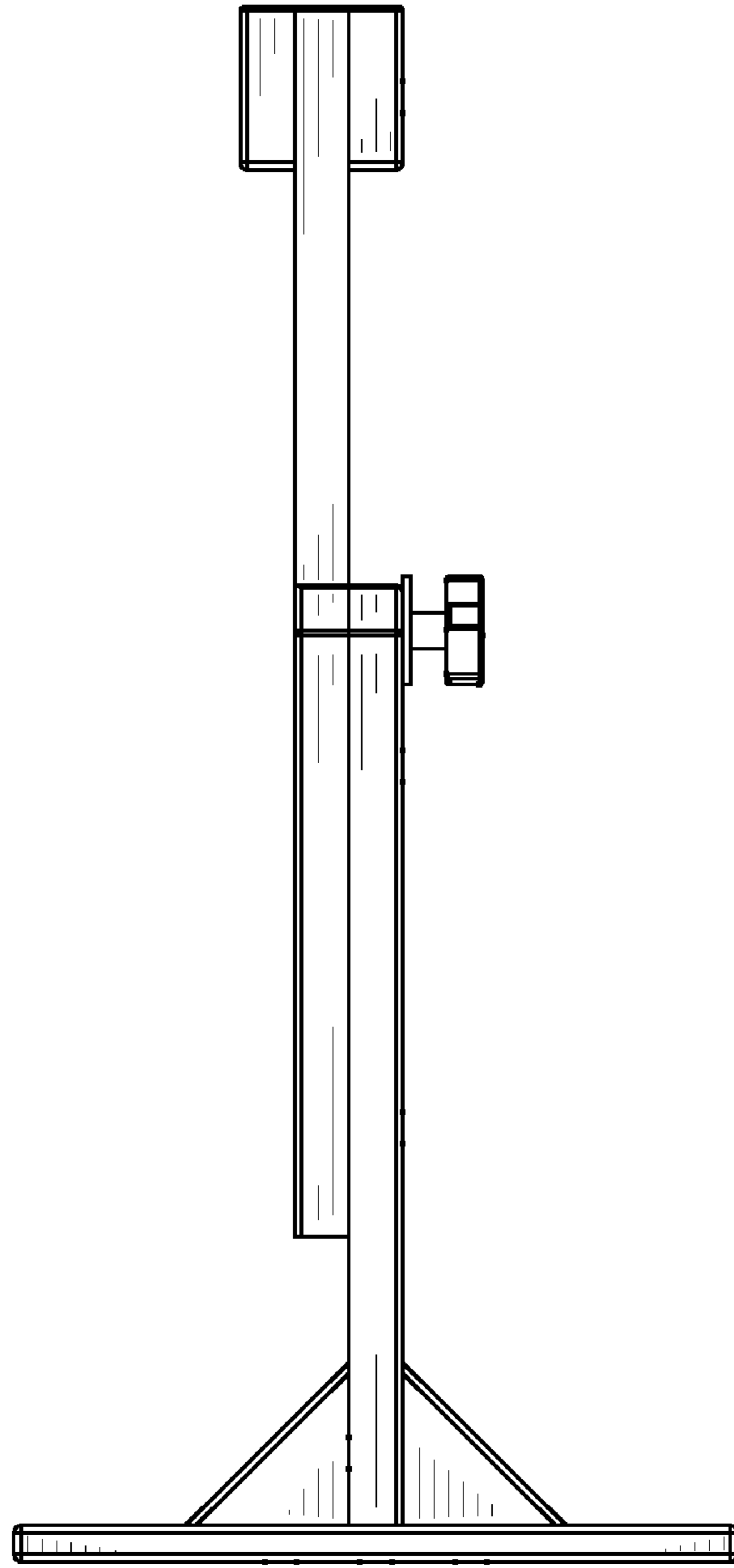


Fig. 3

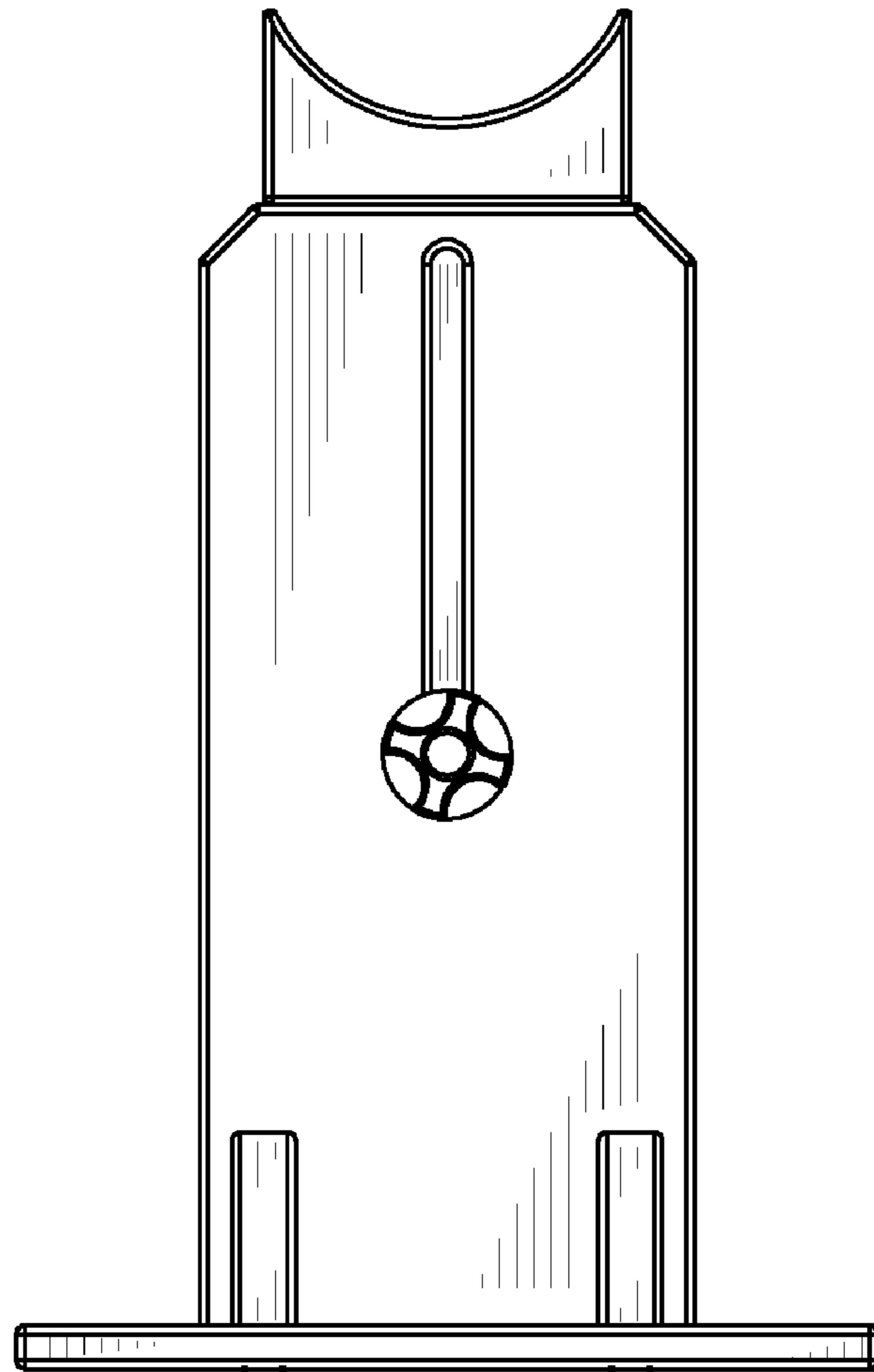


Fig. 4

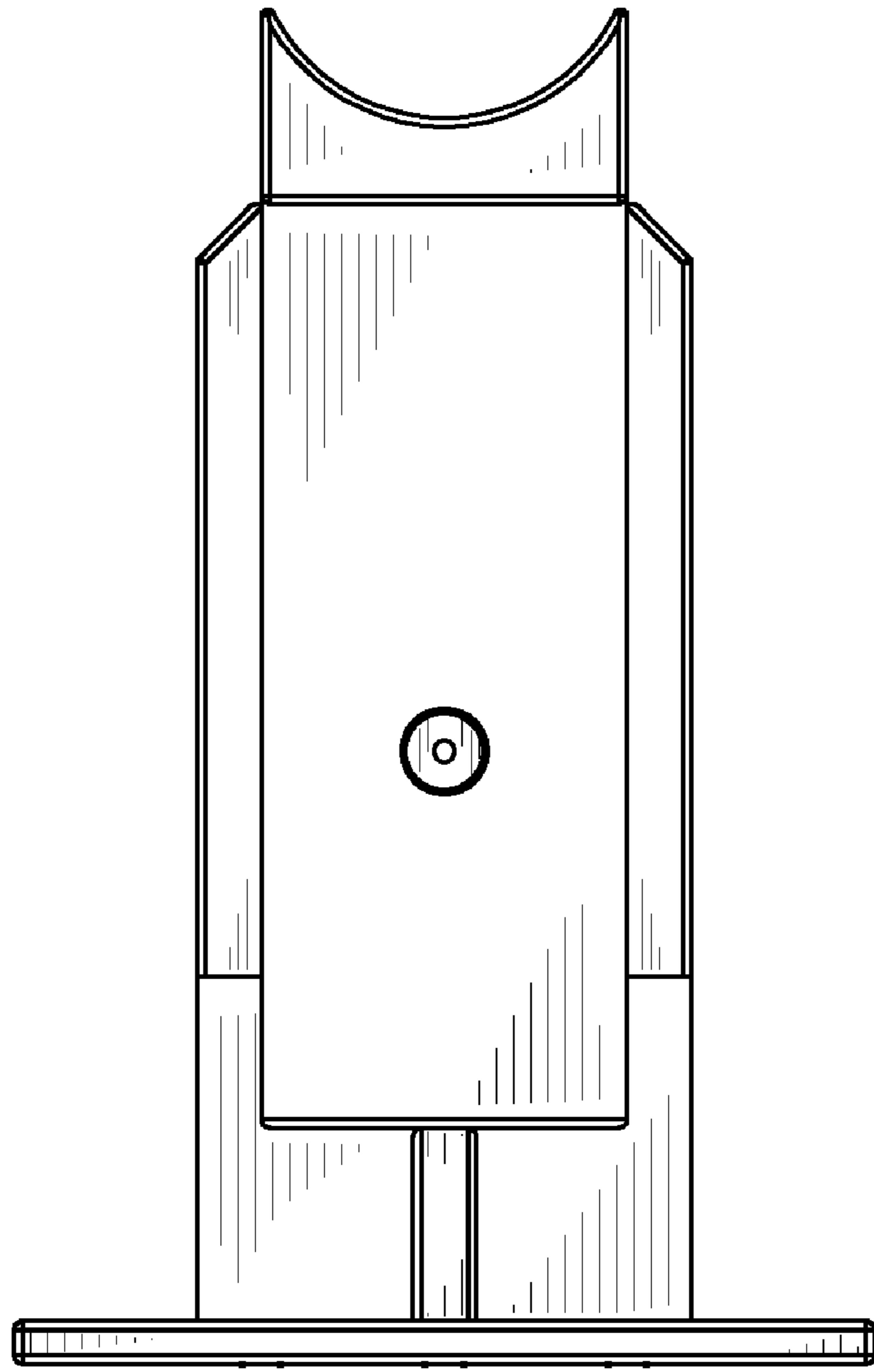


Fig. 5

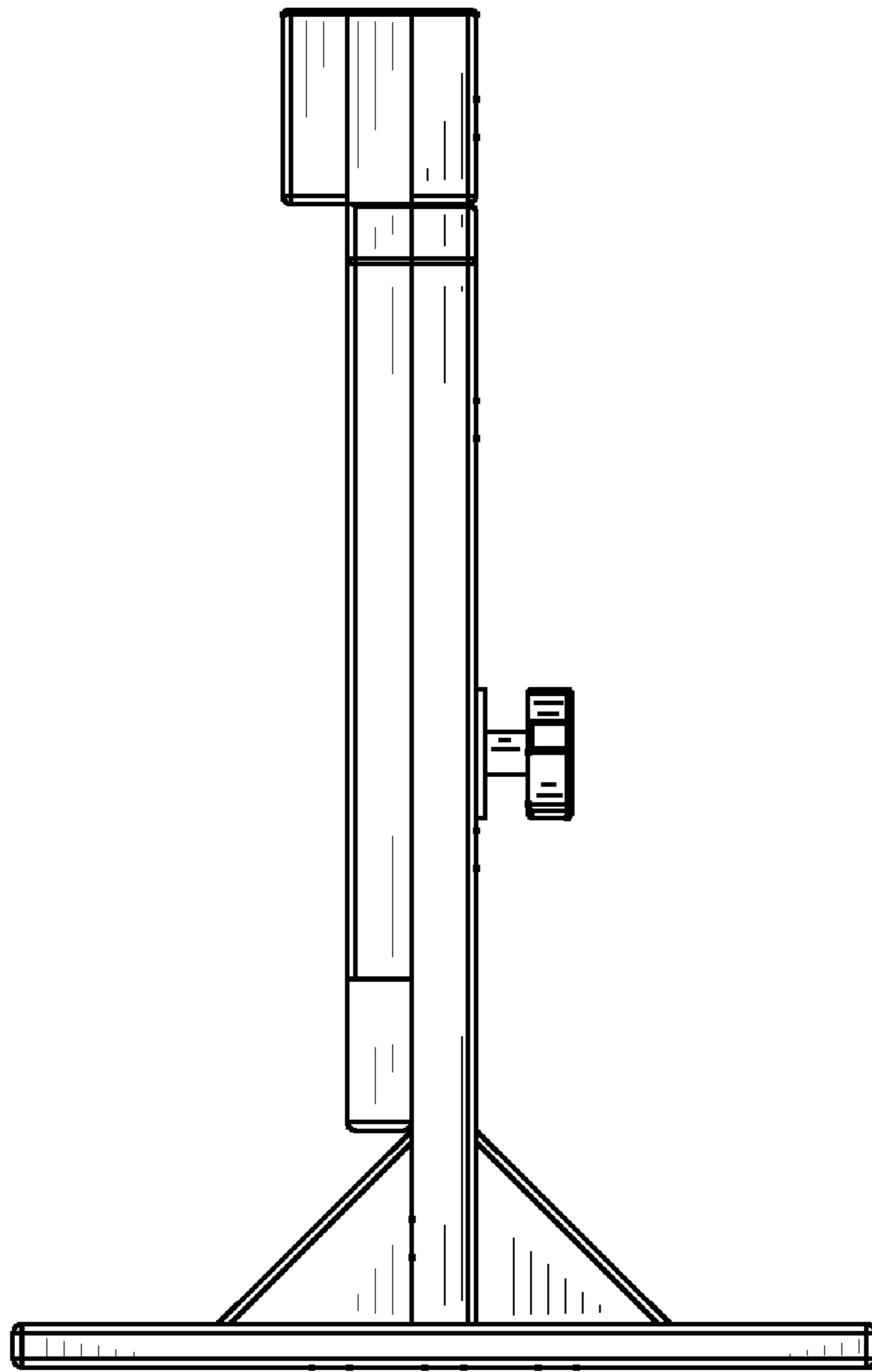


Fig. 6

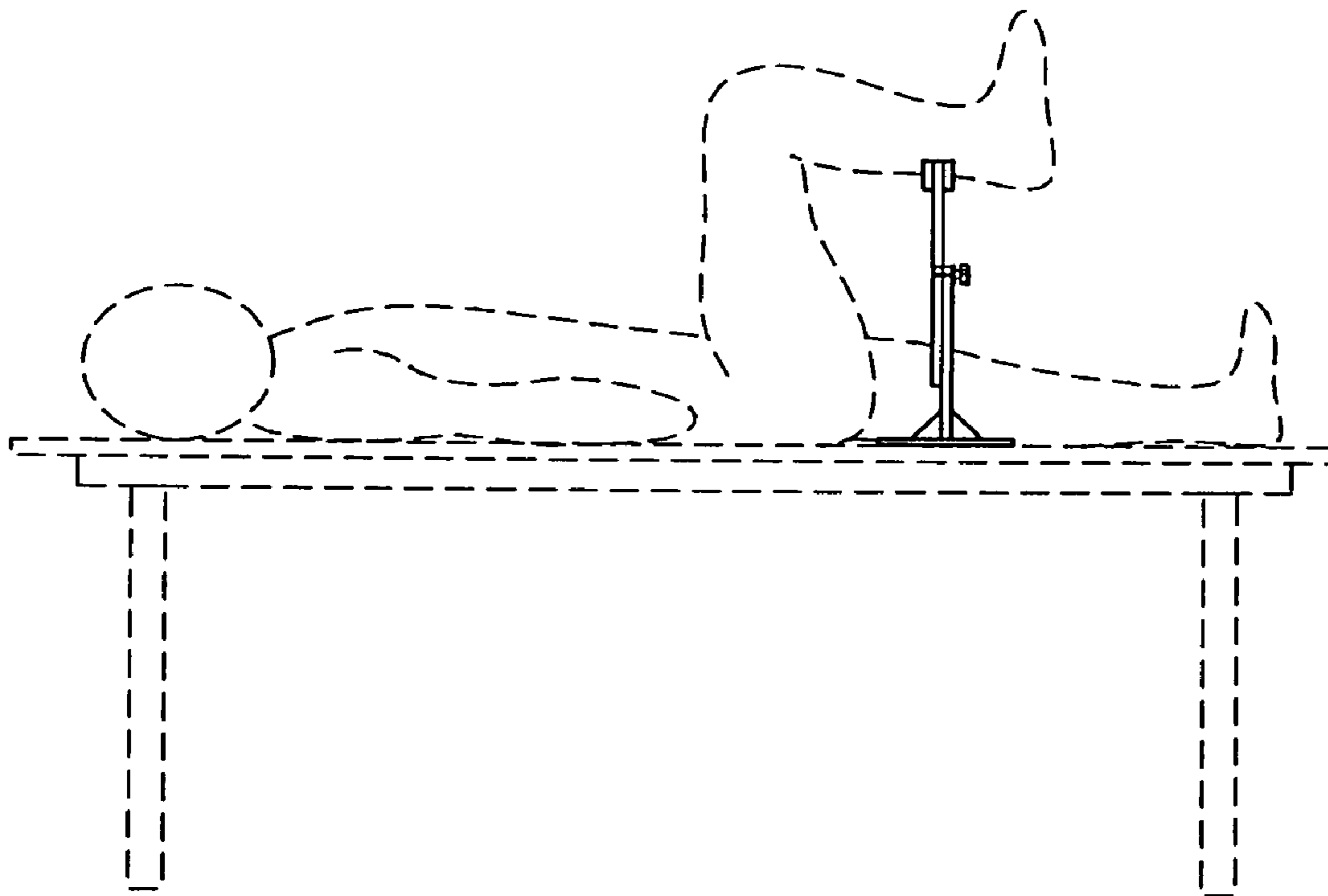


Fig. 7