



US00D604418S

(12) **United States Design Patent**
Jones et al.

(10) **Patent No.:** **US D604,418 S**

(45) **Date of Patent:** **** Nov. 17, 2009**

(54) **PULSE OXIMETER STAND**

D569,981 S * 5/2008 Collins D24/186

* cited by examiner

(75) Inventors: **Zach Jones**, Half Moon Bay, CA (US);
Eric Woods, Walnut Creek, CA (US);
Michael T. Herda, Stirling, NJ (US)

Primary Examiner—T. Chase Nelson

Assistant Examiner—Anhdao Doan

(73) Assignee: **EconoMEDics, Inc.**, Palo Alto, CA (US)

(74) *Attorney, Agent, or Firm*—Townsend and Townsend and Crew LLP

(**) Term: **14 Years**

(57) **CLAIM**

(21) Appl. No.: **29/336,029**

The ornamental design for a pulse oximeter stand, as shown and described.

(22) Filed: **Apr. 27, 2009**

DESCRIPTION

(51) **LOC (9) Cl.** **24-01**

FIG. 1 is a front perspective view of a pulse oximeter stand showing our new design, with a pulse oximeter disposed in the stand;

(52) **U.S. Cl.** **D24/169**; D24/165

FIG. 2 is a front elevational view thereof;

(58) **Field of Classification Search** D24/164,
D24/165, 169, 186, 127, 128; 600/310, 323,
600/335, 340; D13/107, 108; D14/217,
D14/434

FIG. 3 is a rear elevational view thereof;

See application file for complete search history.

FIG. 4 is a left side elevational view thereof;

(56) **References Cited**

FIG. 5 is a right side elevational view thereof;

U.S. PATENT DOCUMENTS

FIG. 6 is top plan view thereof;

D458,600 S * 6/2002 Freitag et al. D14/314

FIG. 7 is a bottom plan view thereof; and,

D474,737 S * 5/2003 Yoshida D13/108

FIG. 8 is a rear perspective view thereof.

D510,208 S * 10/2005 Klimas D13/107

The broken line showing of a pulse oximeter device represents environmental subjected matter and forms no part of the claimed design. All other broken lines are included for the purpose of illustrating portions of the pulse oximeter stand that form no part of the claimed design.

D523,847 S * 6/2006 Naruki D14/224.1

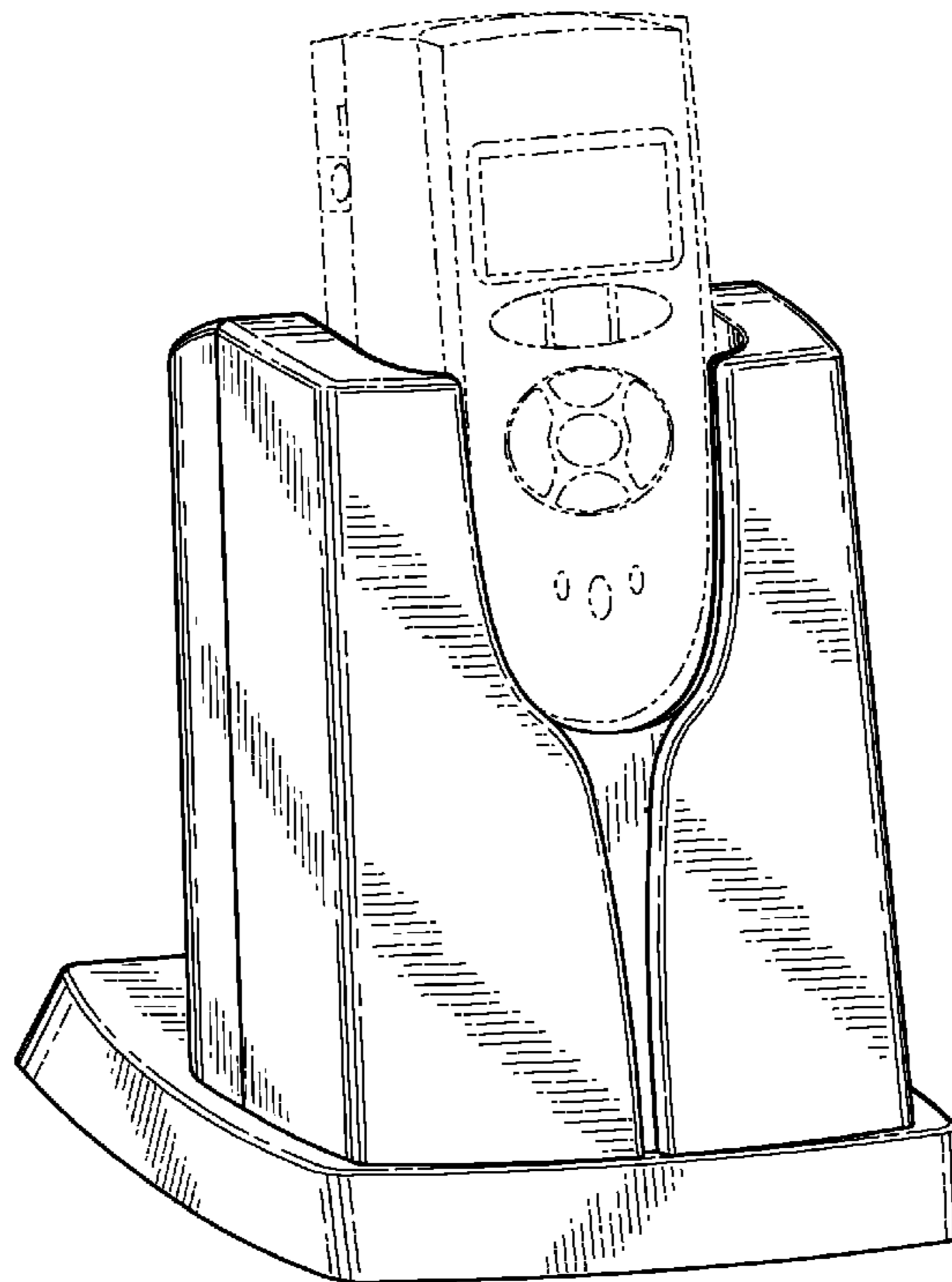
D524,944 S * 7/2006 Collins D24/186

D535,615 S * 1/2007 Iwai D13/108

D538,433 S * 3/2007 Lorimer et al. D24/169

D564,959 S * 3/2008 Heine et al. D13/107

1 Claim, 5 Drawing Sheets



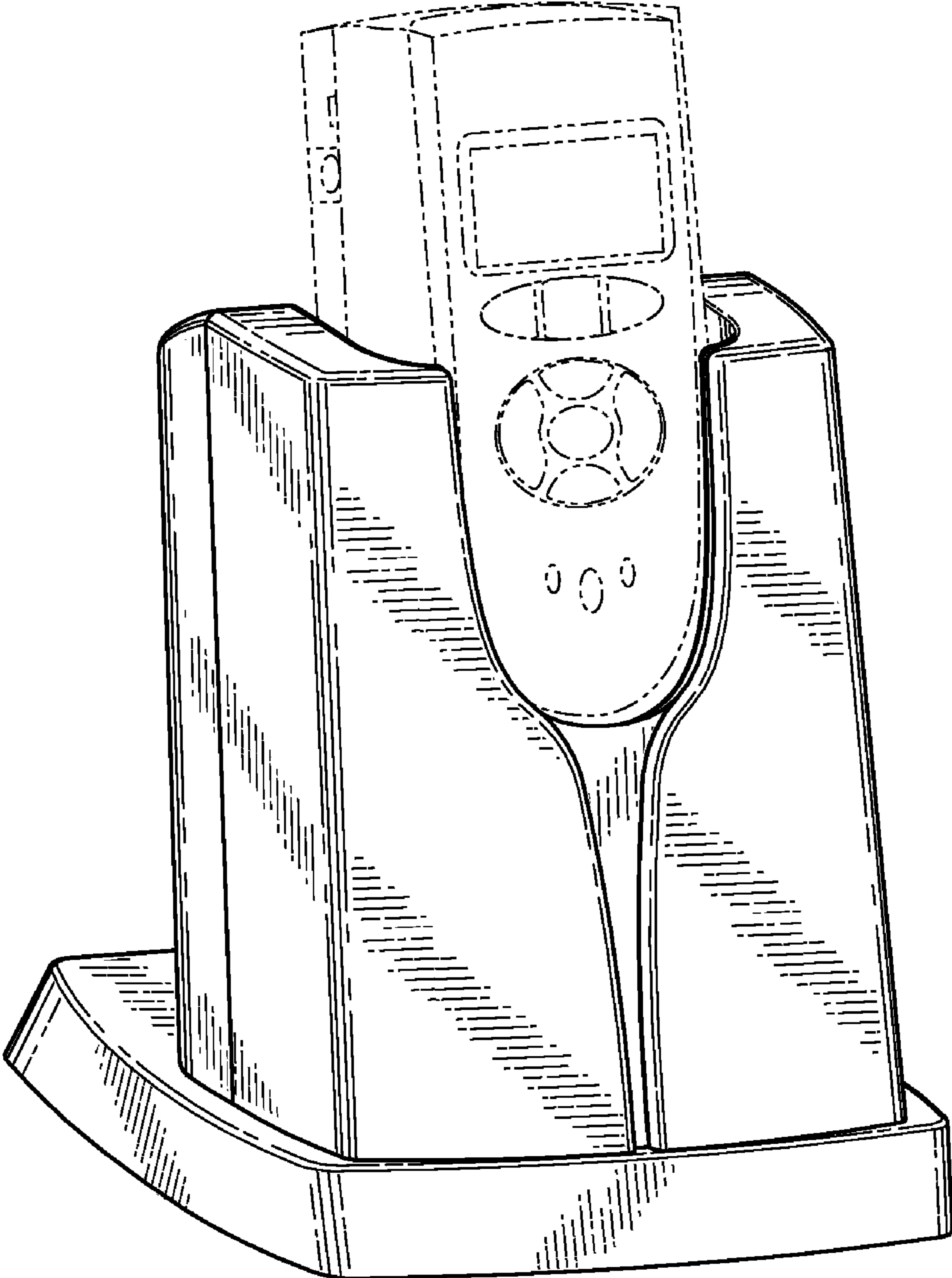


FIG. 1

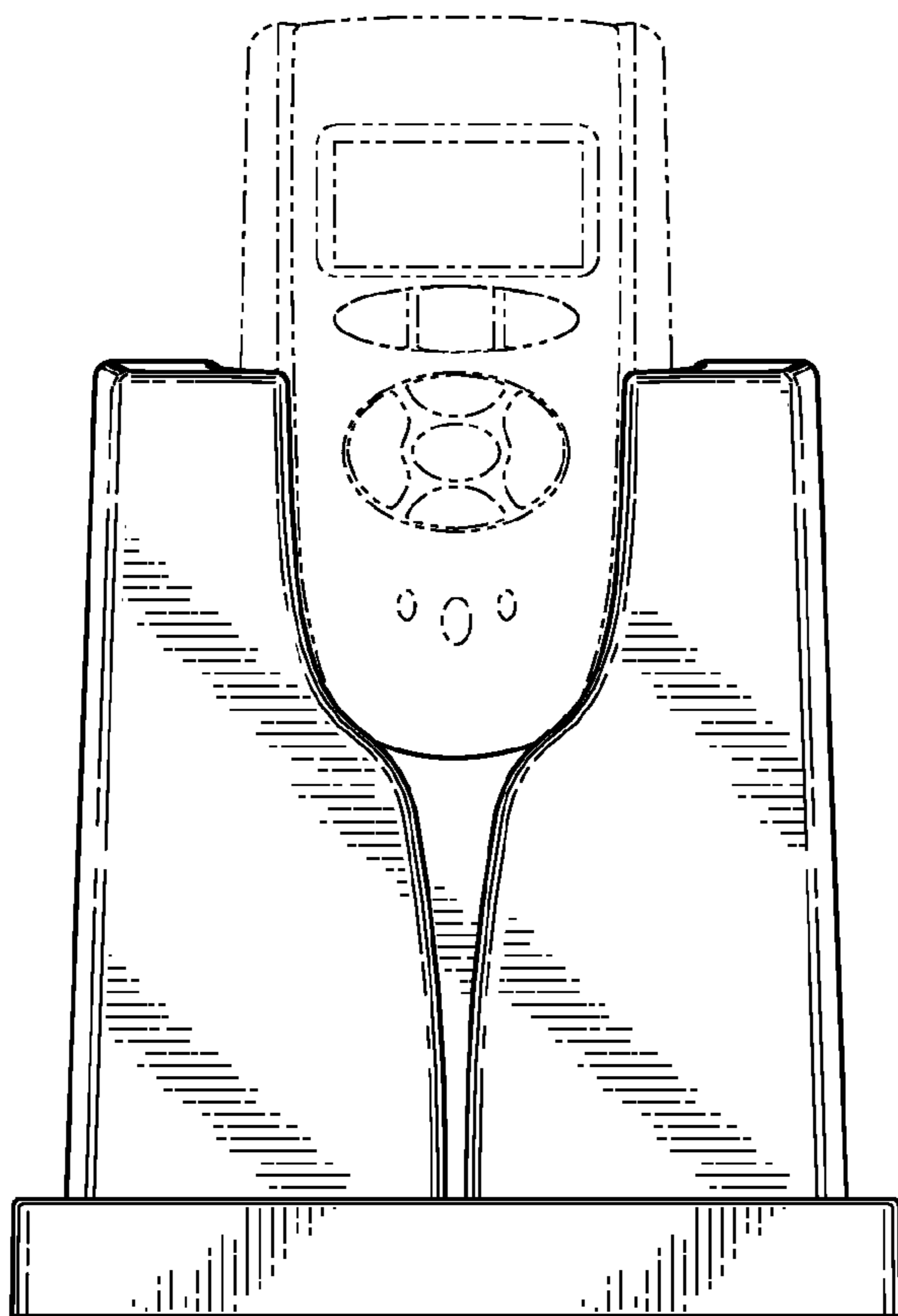


FIG. 2

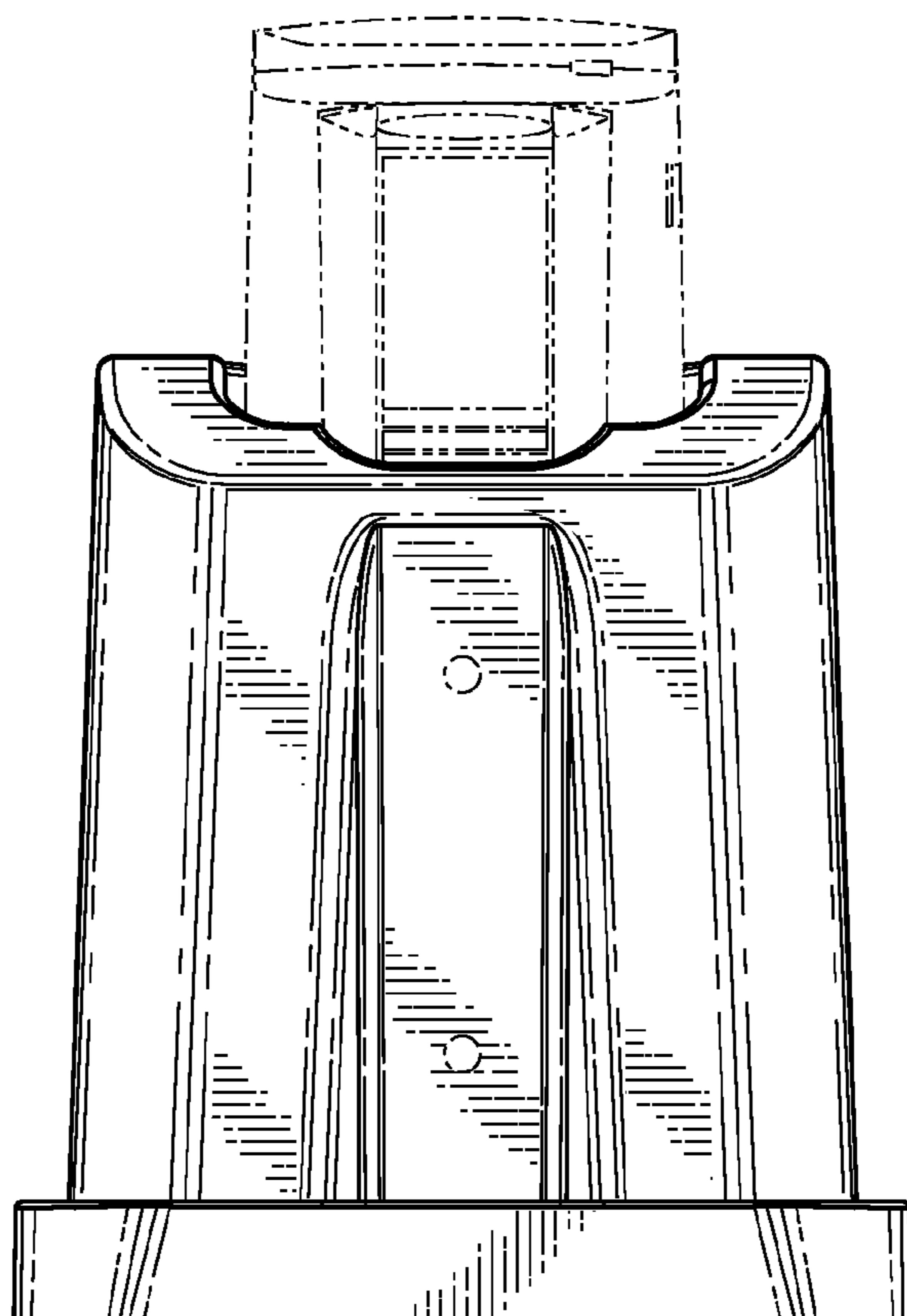


FIG. 3

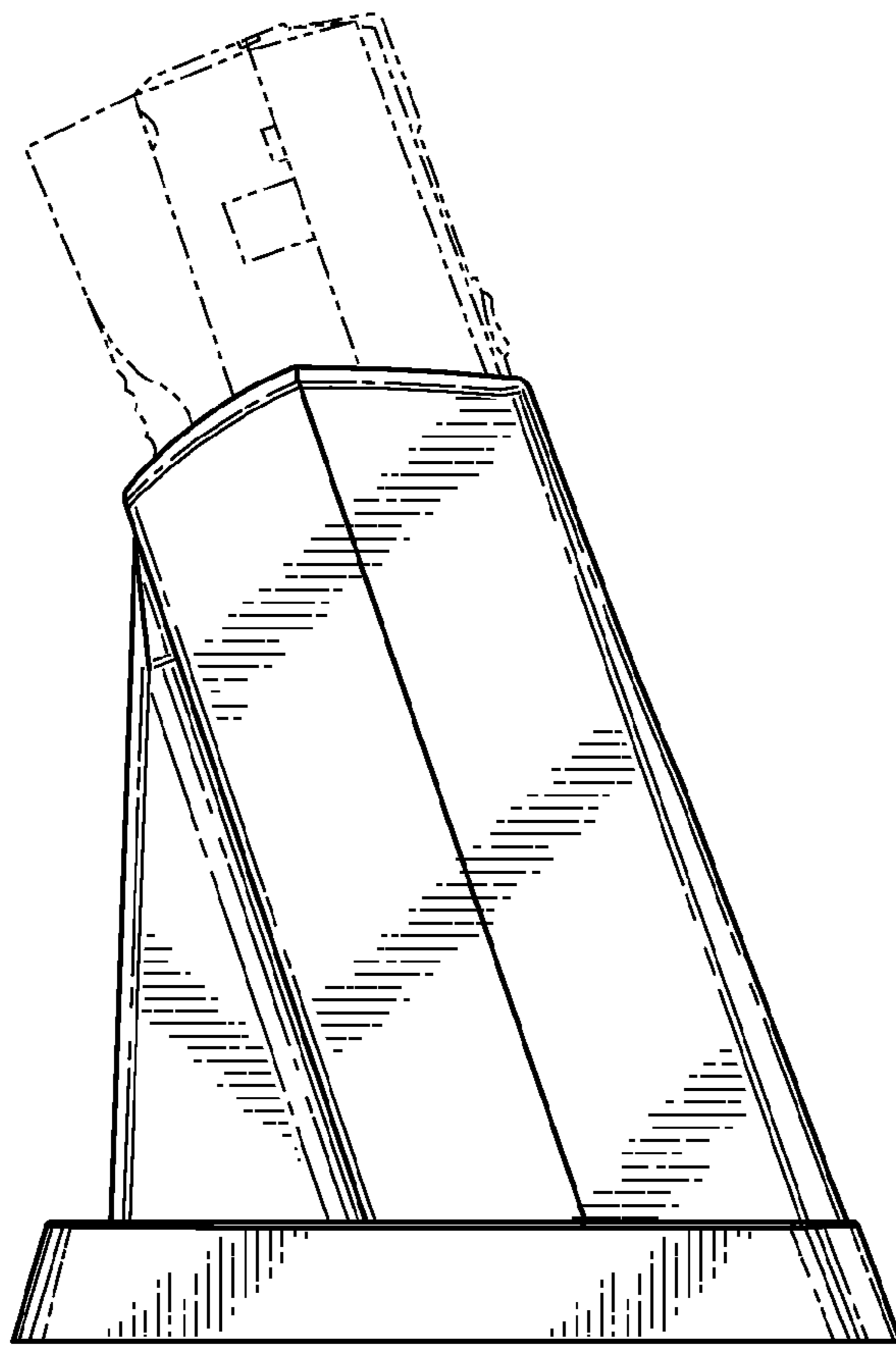


FIG. 4

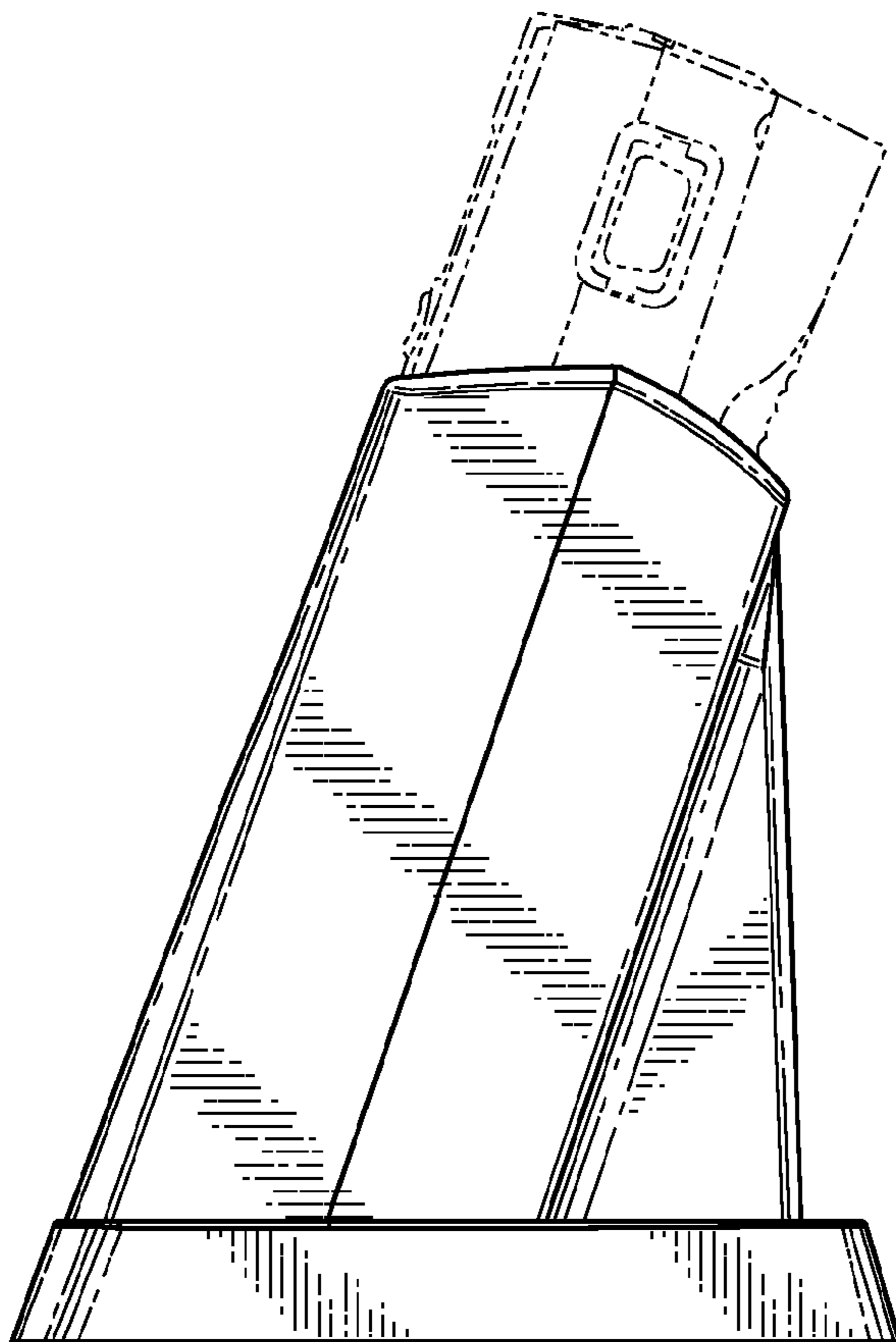


FIG. 5

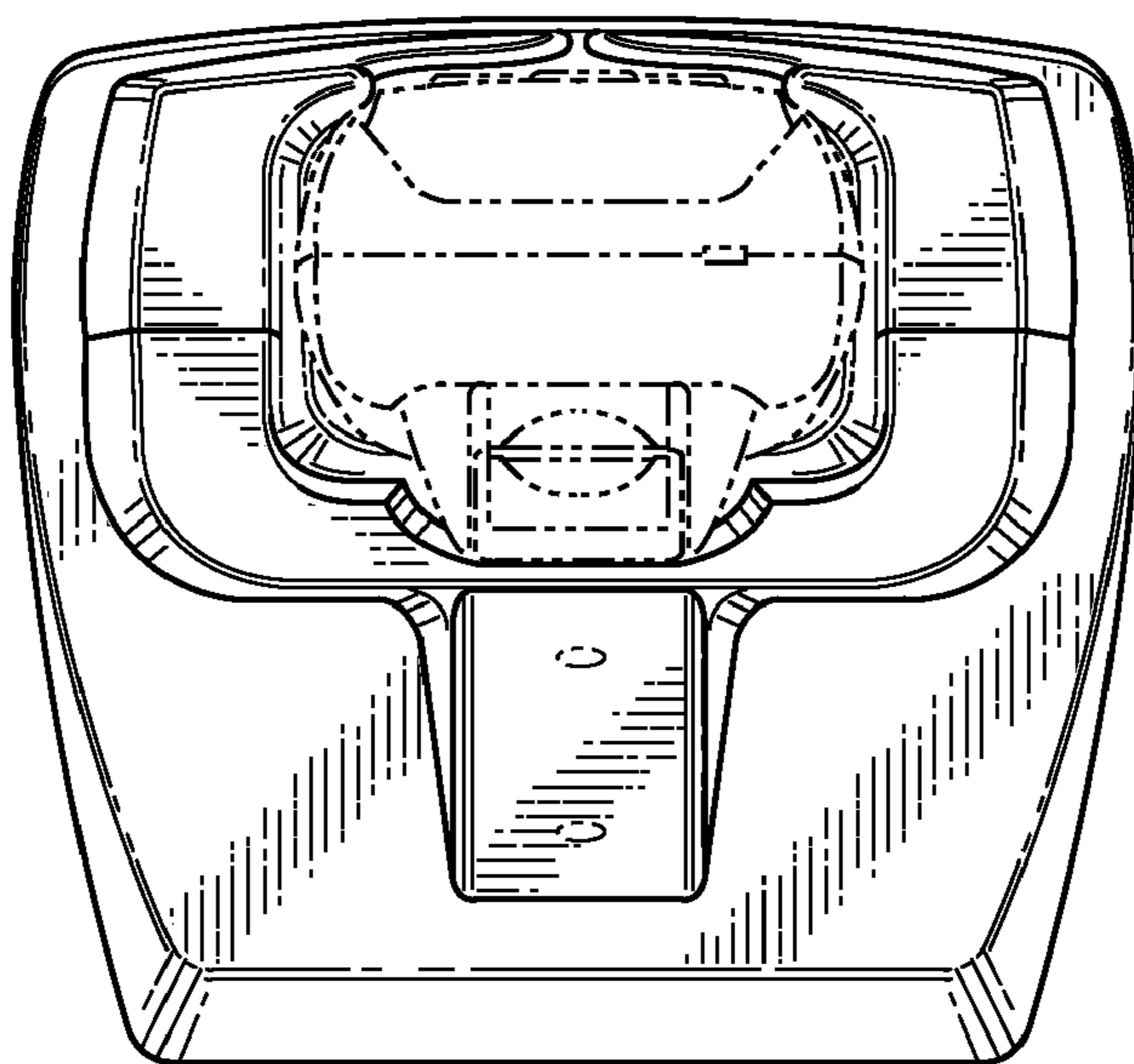


FIG. 6

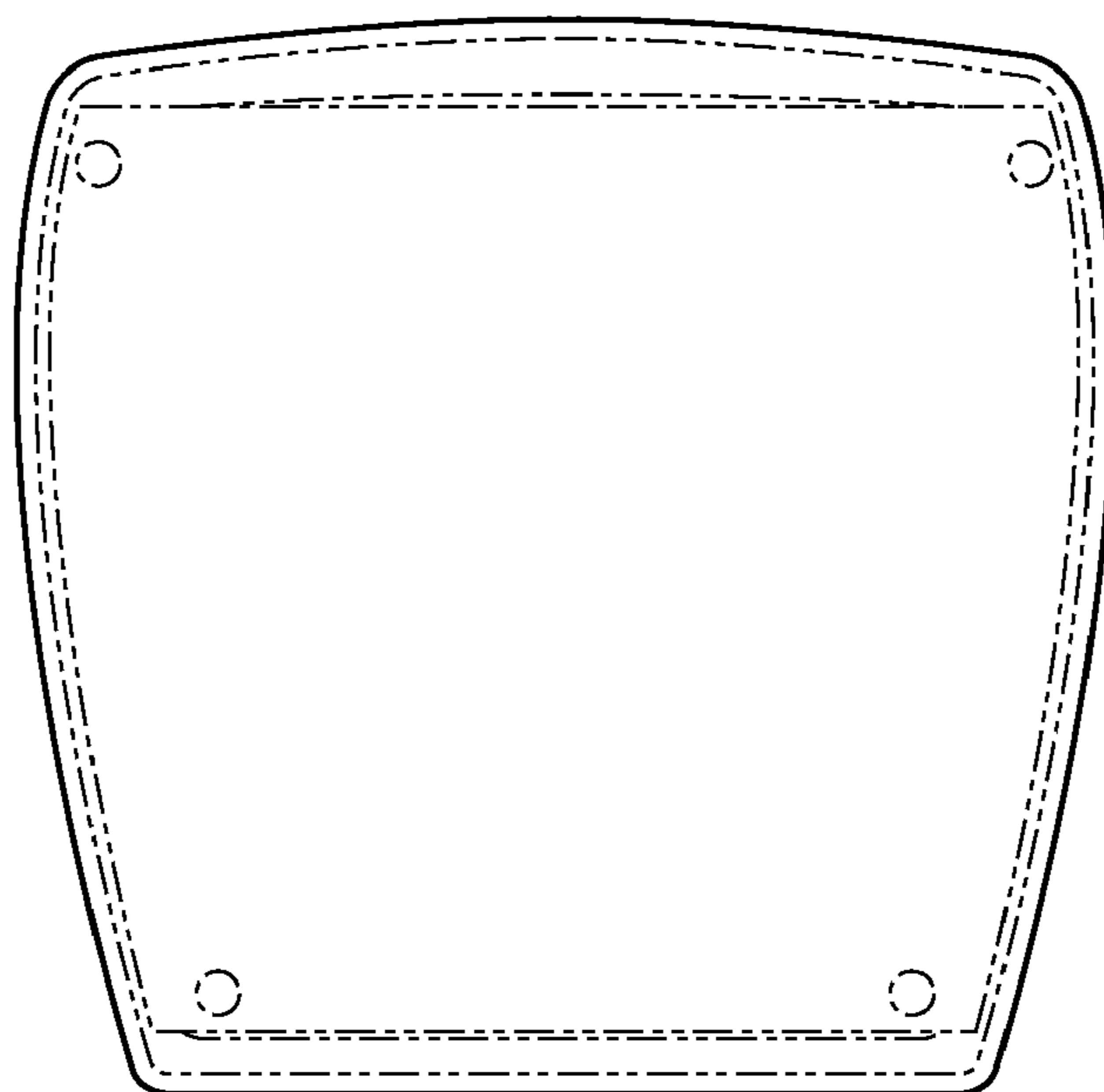


FIG. 7

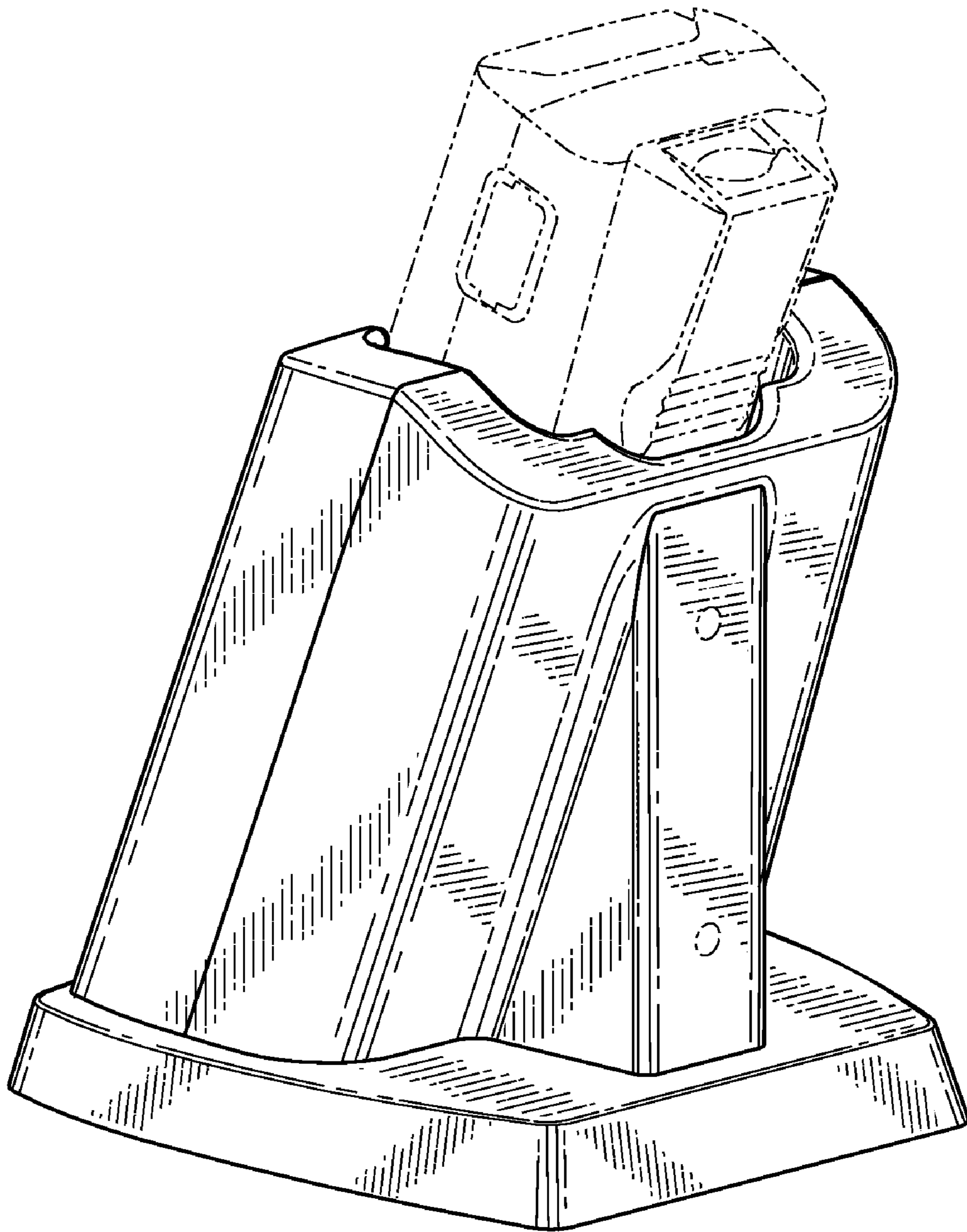


FIG. 8