



US00D604417S

(12) **United States Design Patent**
Fujimoto et al.

(10) **Patent No.:** **US D604,417 S**

(45) **Date of Patent:** **** Nov. 17, 2009**

(54) **OXYGEN CONCENTRATING APPARATUS**

JP 1167851 S 3/2003
JP 1349622 S 1/2009

(75) Inventors: **Katsushi Fujimoto**, Iwakuni (JP);
Hiroki Takeshima, Iwakuni (JP)

OTHER PUBLICATIONS

(73) Assignee: **Teijin Pharma Limited**, Tokyo (JP)

Teijin Human Chemistry, Human Solutions; Leaflet concerning Hi-sanso® 3R; Oct. 8, 2008; pp. 1-3.
Information taken from the Teijin-pharma website concerning Hi-sanso® 3R; Oct. 8, 2008.

(**) Term: **14 Years**

* cited by examiner

(21) Appl. No.: **29/329,318**

Primary Examiner—T. Chase Nelson

(22) Filed: **Dec. 12, 2008**

Assistant Examiner—Anhdao Doan

(51) **LOC (9) Cl.** **24-01**

(52) **U.S. Cl.** **D24/164**

(58) **Field of Classification Search** D24/163,
D24/164, 110; 95/96, 121; 96/111, 116,
96/117, 121, 130, 144; 128/205.24, 204.18,
128/204.22, 204.26

(74) *Attorney, Agent, or Firm*—Sughrue Mion, PLLC

See application file for complete search history.

(57) **CLAIM**

(56) **References Cited**

The ornamental design for an oxygen concentrating apparatus, as shown and described.

U.S. PATENT DOCUMENTS

DESCRIPTION

D437,056 S *	1/2001	Remes et al.	D24/164
D471,982 S *	3/2003	Cheng	D24/164
D490,155 S *	5/2004	Nakamura	D24/164
D510,437 S *	10/2005	Lang et al.	D24/164
D513,074 S *	12/2005	Nakamura et al.	D24/164
D528,212 S *	9/2006	Conway et al.	D24/164
D550,360 S *	9/2007	McCombs et al.	D24/164
D585,540 S *	1/2009	Lithgow et al.	D24/110

FIG. 1 is a perspective view of an oxygen concentrating apparatus showing our new design;

FIG. 2 is a front elevational view thereof;

FIG. 3 is a rear elevational view thereof;

FIG. 4 is a left side elevational view thereof;

FIG. 5 is a right side elevational view thereof;

FIG. 6 is a top plan view thereof; and,

FIG. 7 is a bottom plan view thereof.

The broken lines in FIGS. 1 to 7 are included for the purpose of illustrating portions of the oxygen concentrating apparatus that form no part of the claimed design.

FOREIGN PATENT DOCUMENTS

JP	1154513 S	9/2002
JP	1154786 S	9/2002

1 Claim, 4 Drawing Sheets

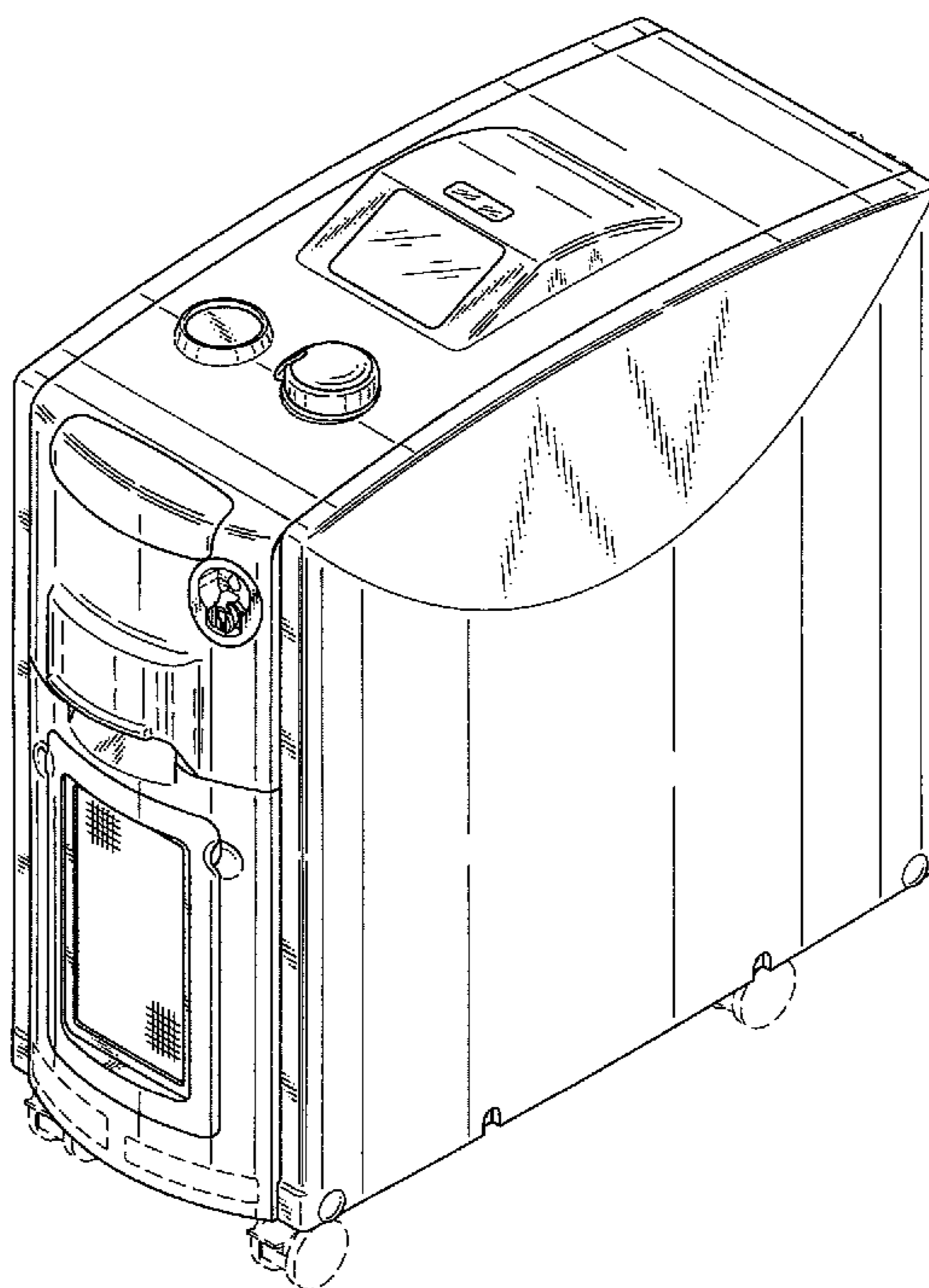


Fig. 1

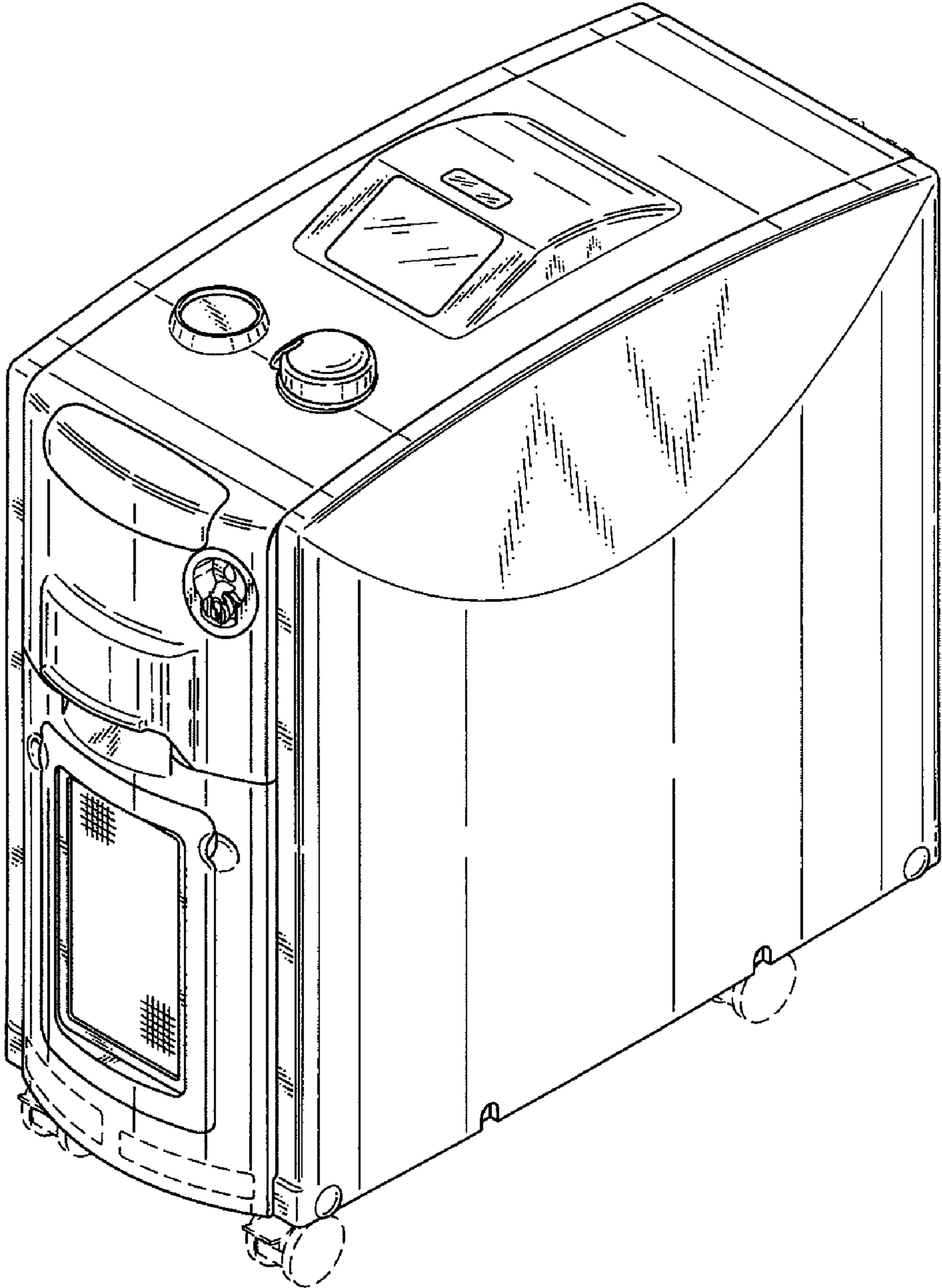


Fig.2

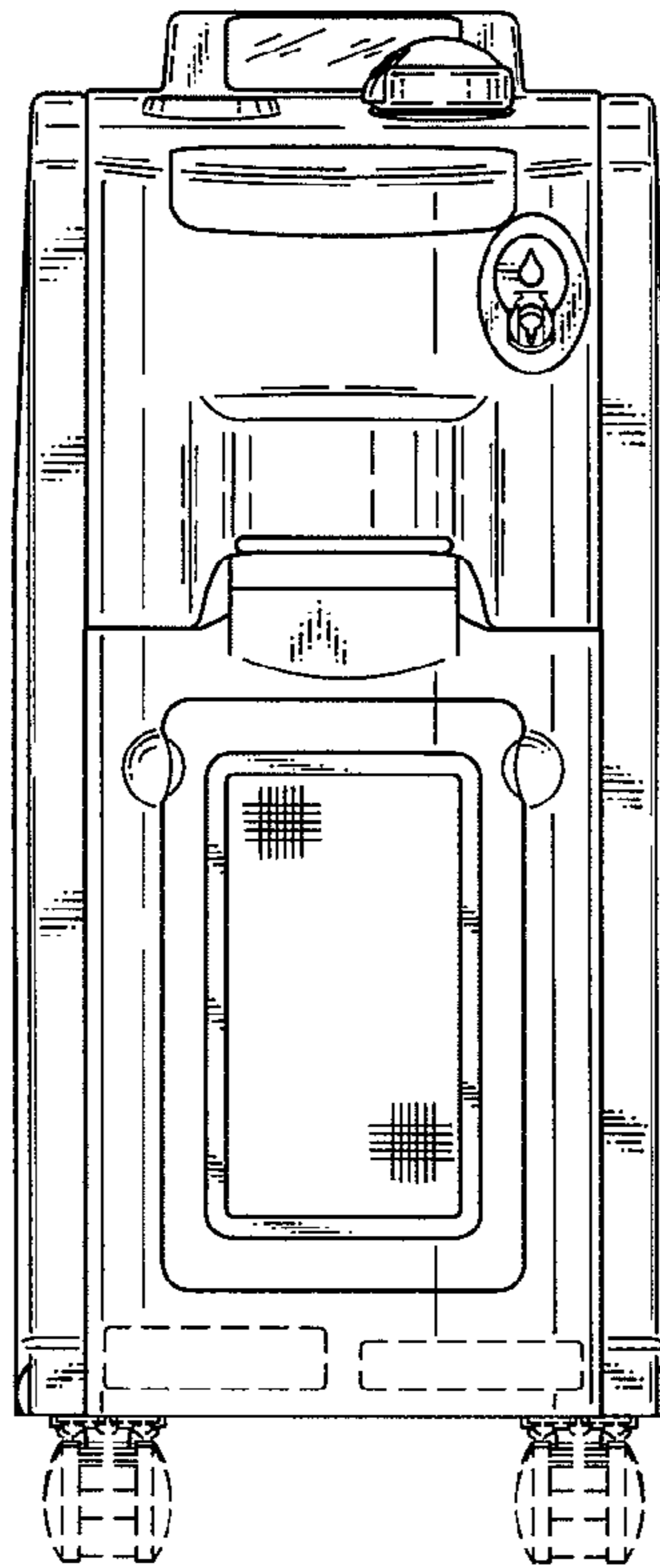


Fig.3

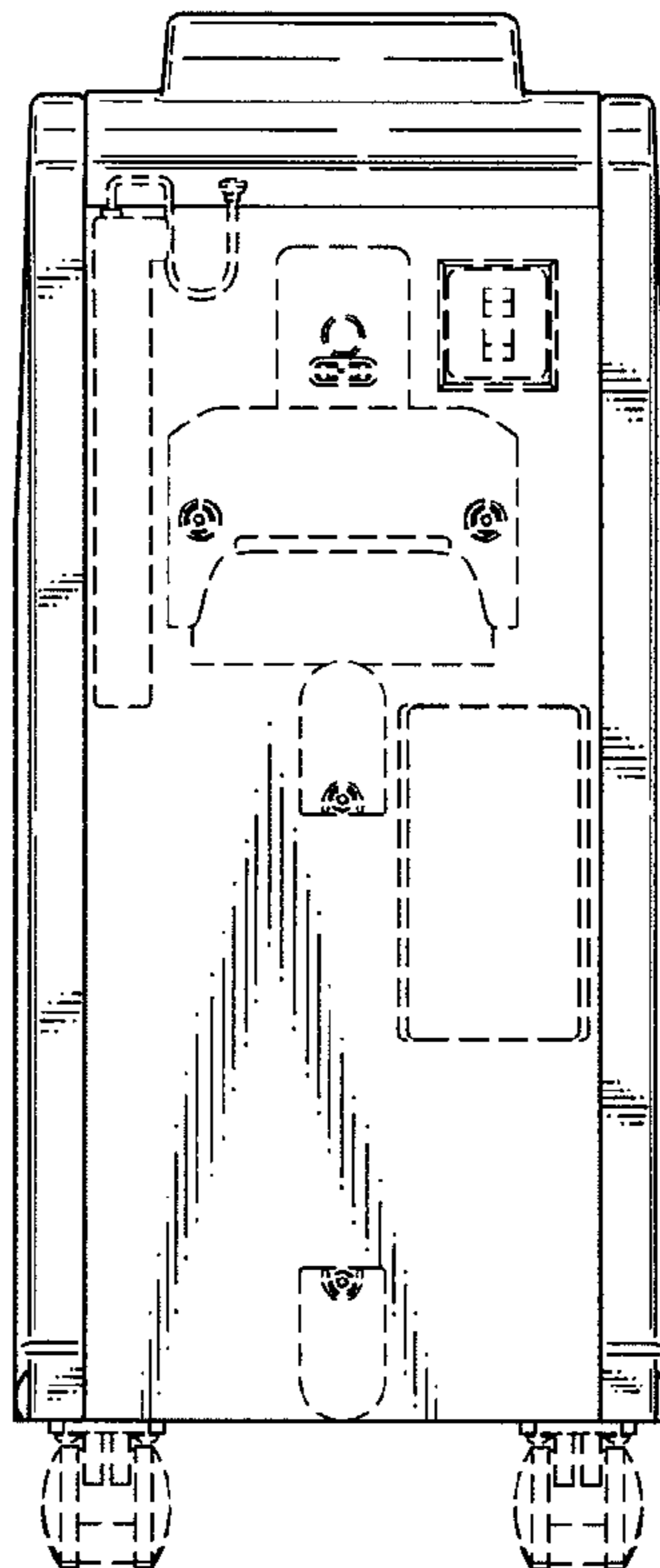


Fig.4

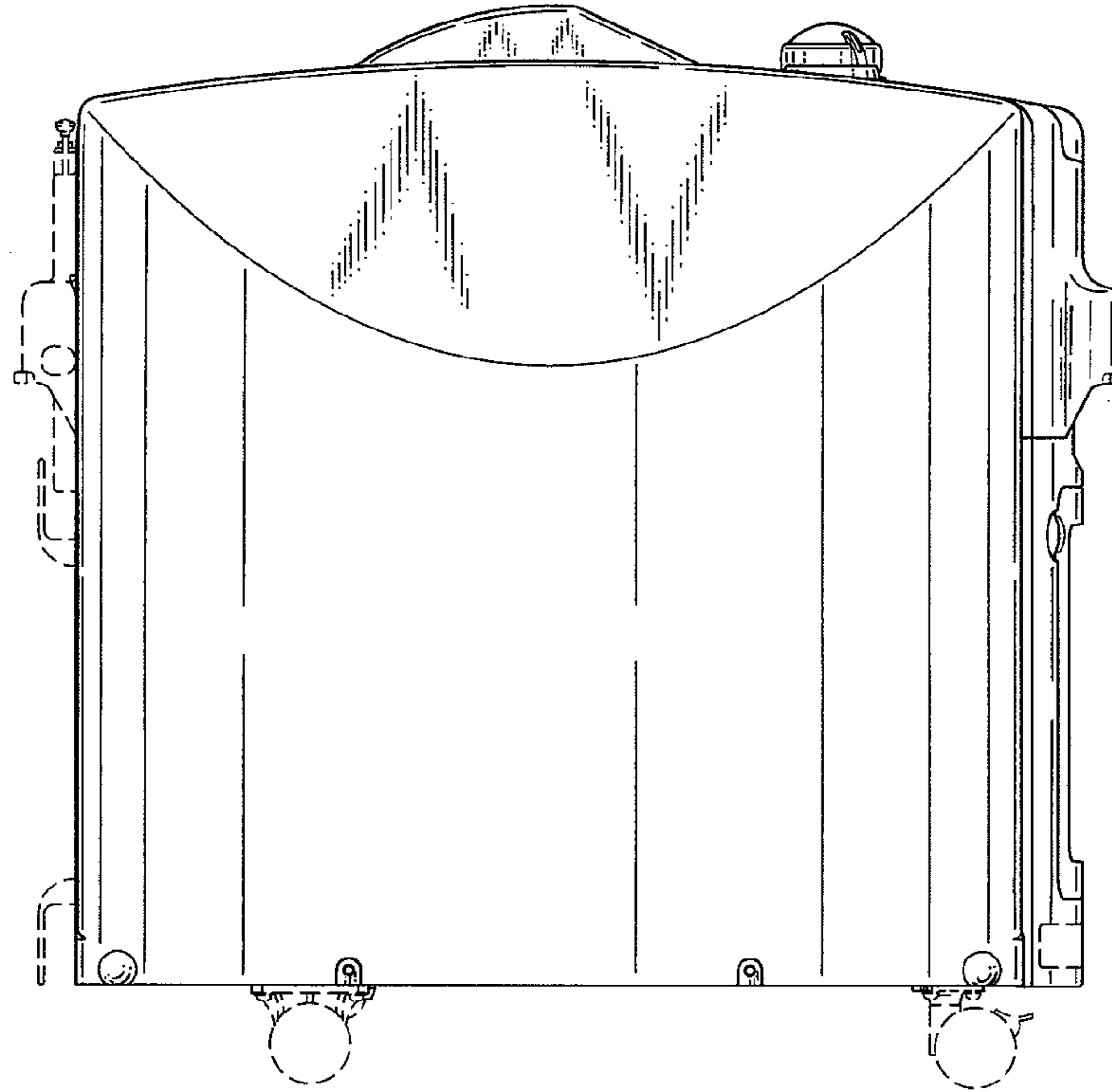


Fig.5

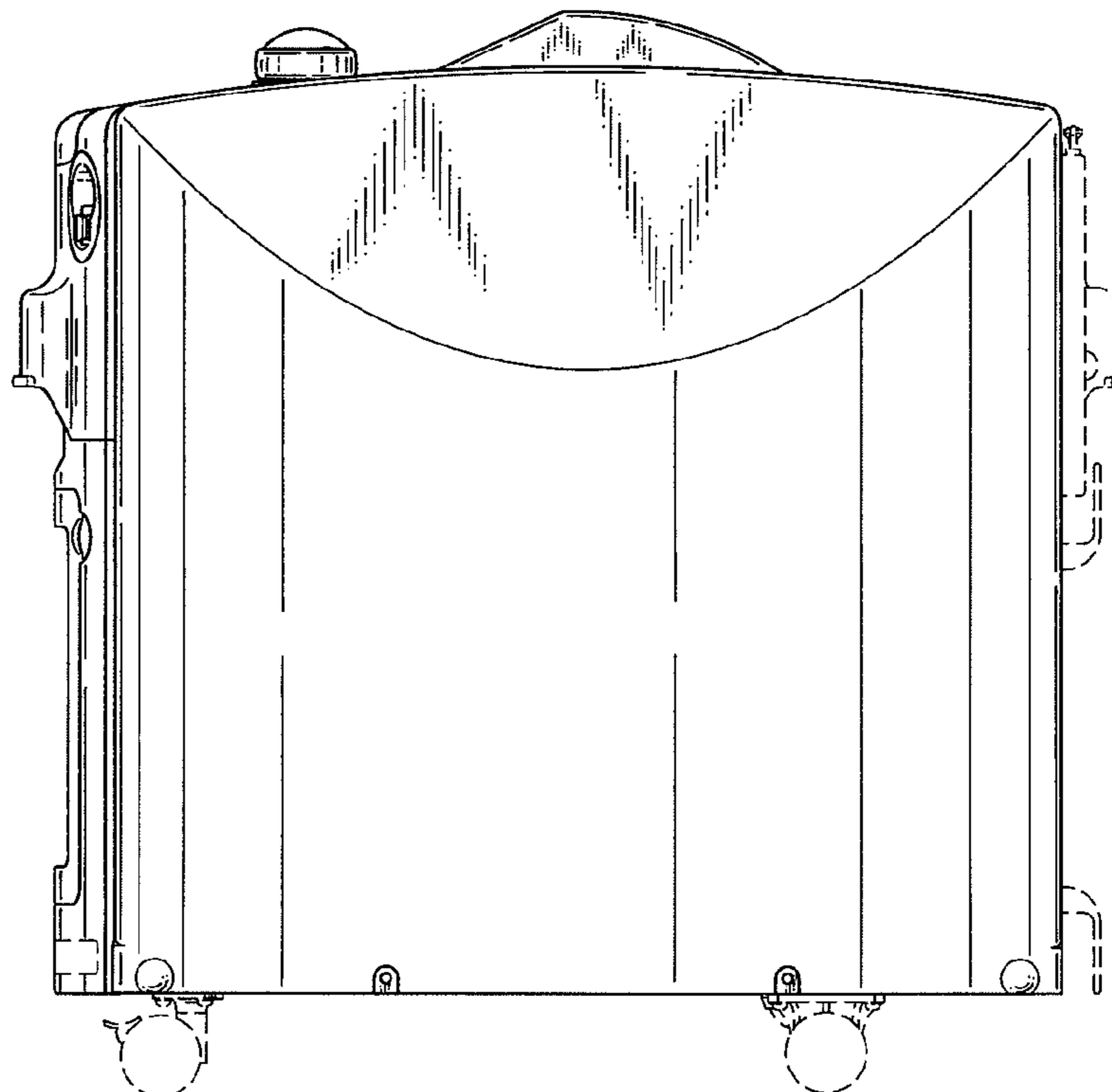


Fig.6

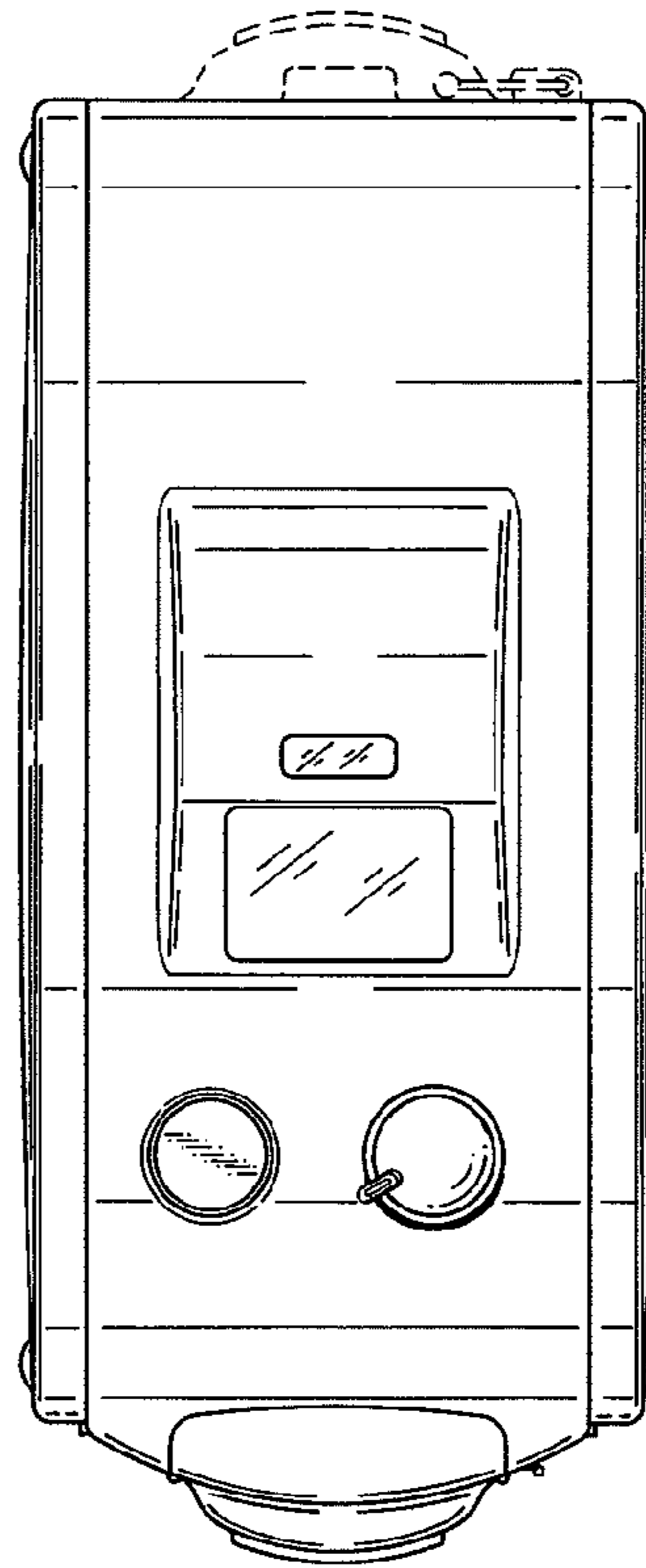


Fig.7

