

US00D604416S

(12) **United States Design Patent**  
**Chilton, III et al.**

(10) **Patent No.:** **US D604,416 S**  
(45) **Date of Patent:** **\*\* Nov. 17, 2009**

(54) **WARMING THERAPY DEVICE**

2009/0149696 A1\* 6/2009 Chilton, III ..... 600/22

(75) Inventors: **Robert J. Chilton, III**, Quakertown, PA  
(US); **Peter D. Sabota**, Warminster, PA  
(US)

**FOREIGN PATENT DOCUMENTS**

EP 0974328 1/2000

(73) Assignee: **Draeger Medical Systems, Inc.**,  
Telford, PA (US)

**OTHER PUBLICATIONS**

General Electric Company, "The Giraffe Family" brochure (copy-  
right 2009).

Dräger Medical AG & Co. KGaA, "Calco®" brochure (copyright  
2004).

International Search Report dated Jun. 4, 2009.

(\*\*) Term: **14 Years**

\* cited by examiner

(21) Appl. No.: **29/332,790**

(22) Filed: **Feb. 25, 2009**

*Primary Examiner*—T. Chase Nelson

*Assistant Examiner*—Anhdao Doan

(74) *Attorney, Agent, or Firm*—DLA Piper LLP (US)

**Related U.S. Application Data**

(63) Continuation of application No. 11/999,443, filed on  
Dec. 5, 2007.

(51) **LOC (9) Cl.** ..... **24-01**

(52) **U.S. Cl.** ..... **D24/163**

(58) **Field of Classification Search** ..... D24/163,  
D24/164, 201–207; D19/160; 600/21, 22;  
128/205.26, 205.29

See application file for complete search history.

(57) **CLAIM**

The ornamental design for a warming therapy device, as  
shown and described.

**DESCRIPTION**

FIG. 1 shows a perspective view of the invention;

FIG. 2 shows a front view of the invention;

FIG. 3 shows a rear view of the invention;

FIG. 4 shows a right side view of the invention;

FIG. 5 shows a left side view of the invention;

FIG. 6 shows a top view of the invention; and,

FIG. 7 shows a bottom view of the invention.

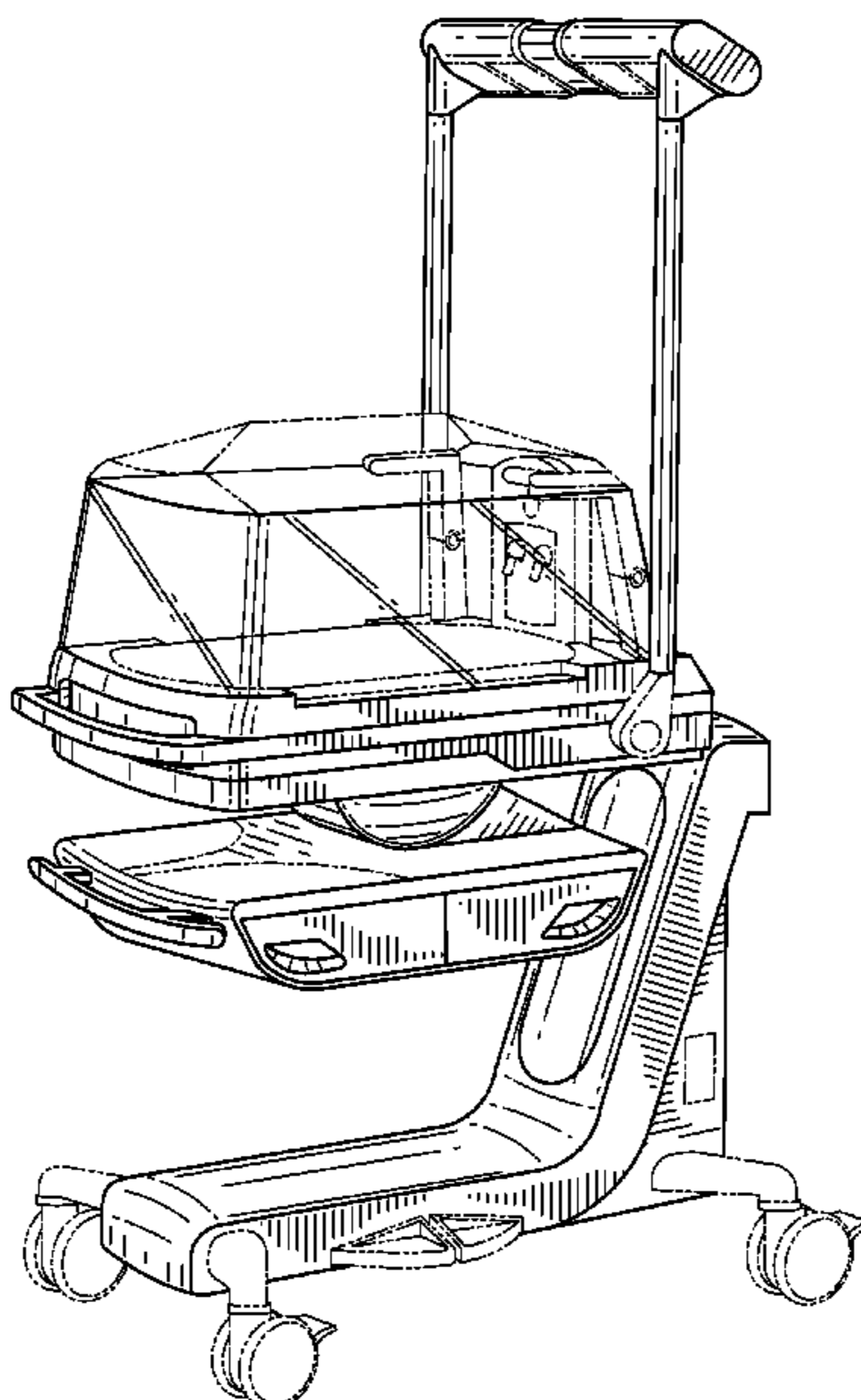
The broken lines in the FIGS. 1–7 are included for the purpose  
of illustrating portions of the warming therapy device that  
form no part of the claimed design.

(56) **References Cited**

**U.S. PATENT DOCUMENTS**

2,820,477	A	1/1958	Dorsak et al.	
3,318,308	A	5/1967	Grosholz	
D240,768	S *	7/1976	Beld et al.	D24/163
3,999,541	A	12/1976	Tabor	128/191
5,125,889	A	6/1992	Snyders	600/22
6,024,694	A	2/2000	Goldberg et al.	600/22
6,471,634	B1 *	10/2002	Dykes et al.	600/22
6,641,521	B2	11/2003	Kolarovic	600/22
7,357,811	B2 *	4/2008	Dykes et al.	600/22
7,364,539	B2 *	4/2008	Mackin et al.	600/22
2004/0186341	A1 *	9/2004	McDermott	600/22

**1 Claim, 5 Drawing Sheets**



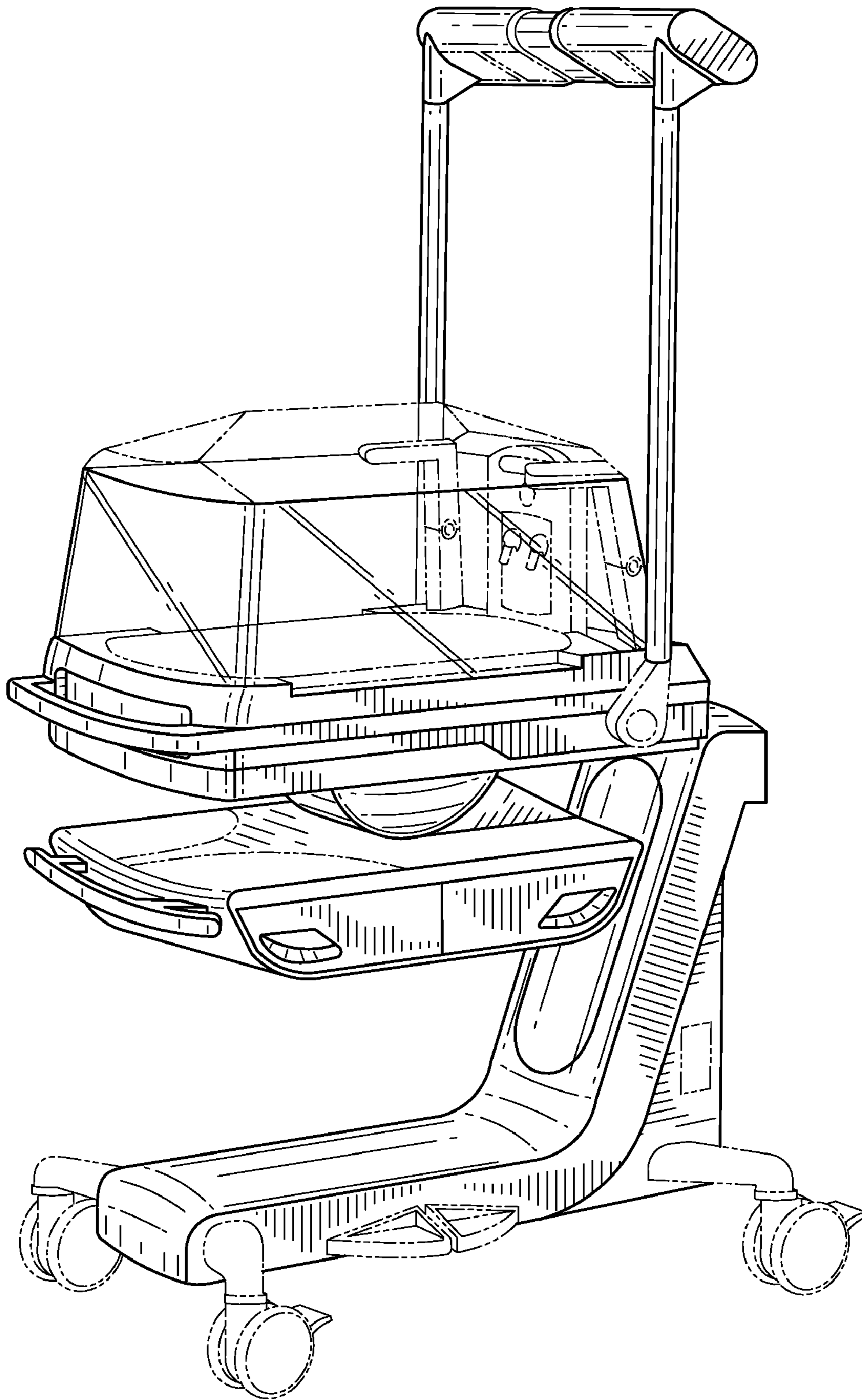


FIG. 1

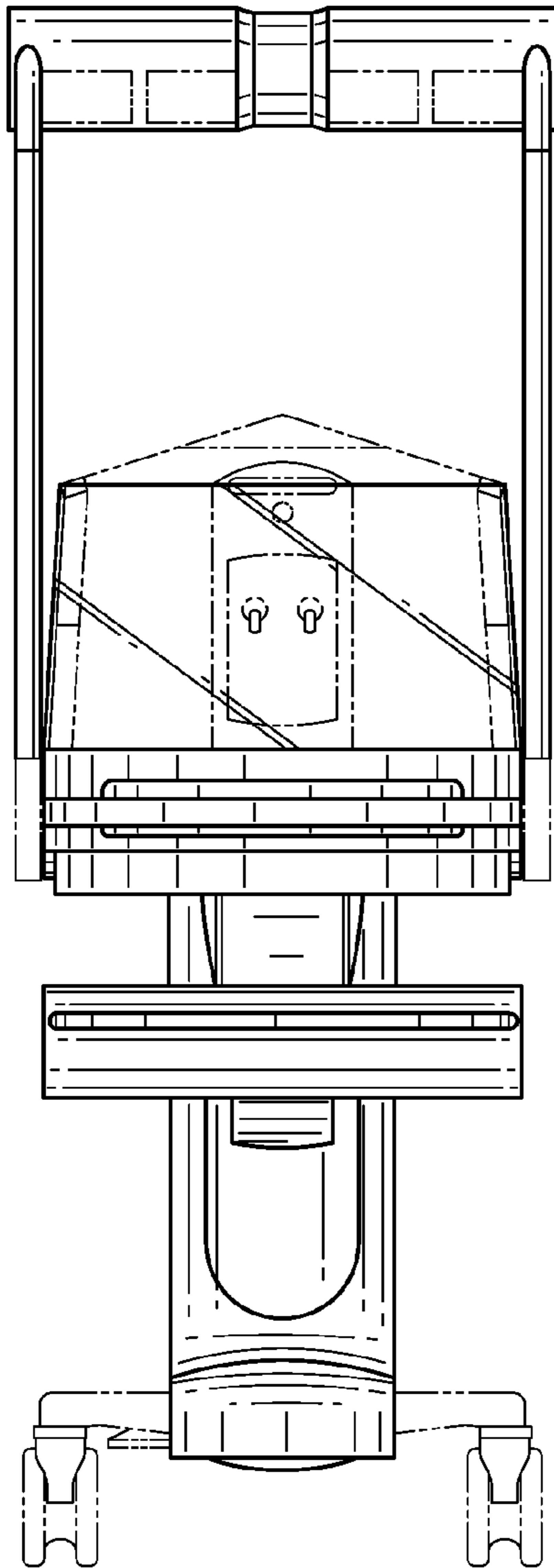


FIG. 2

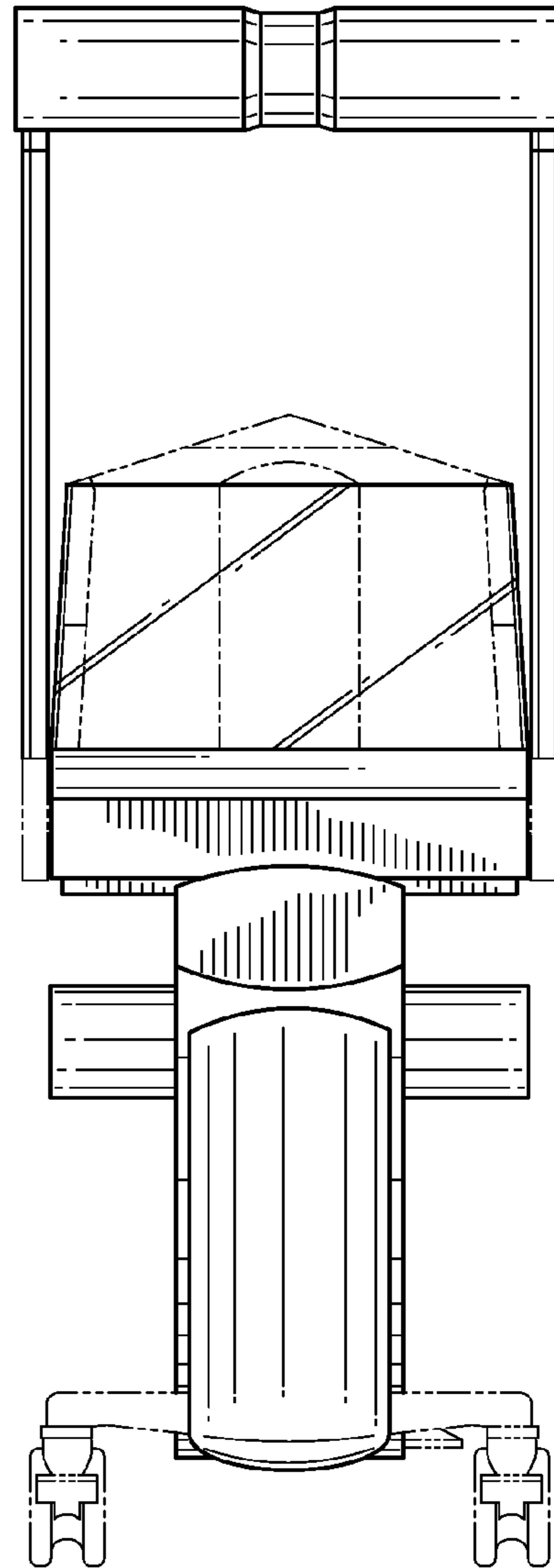


FIG. 3

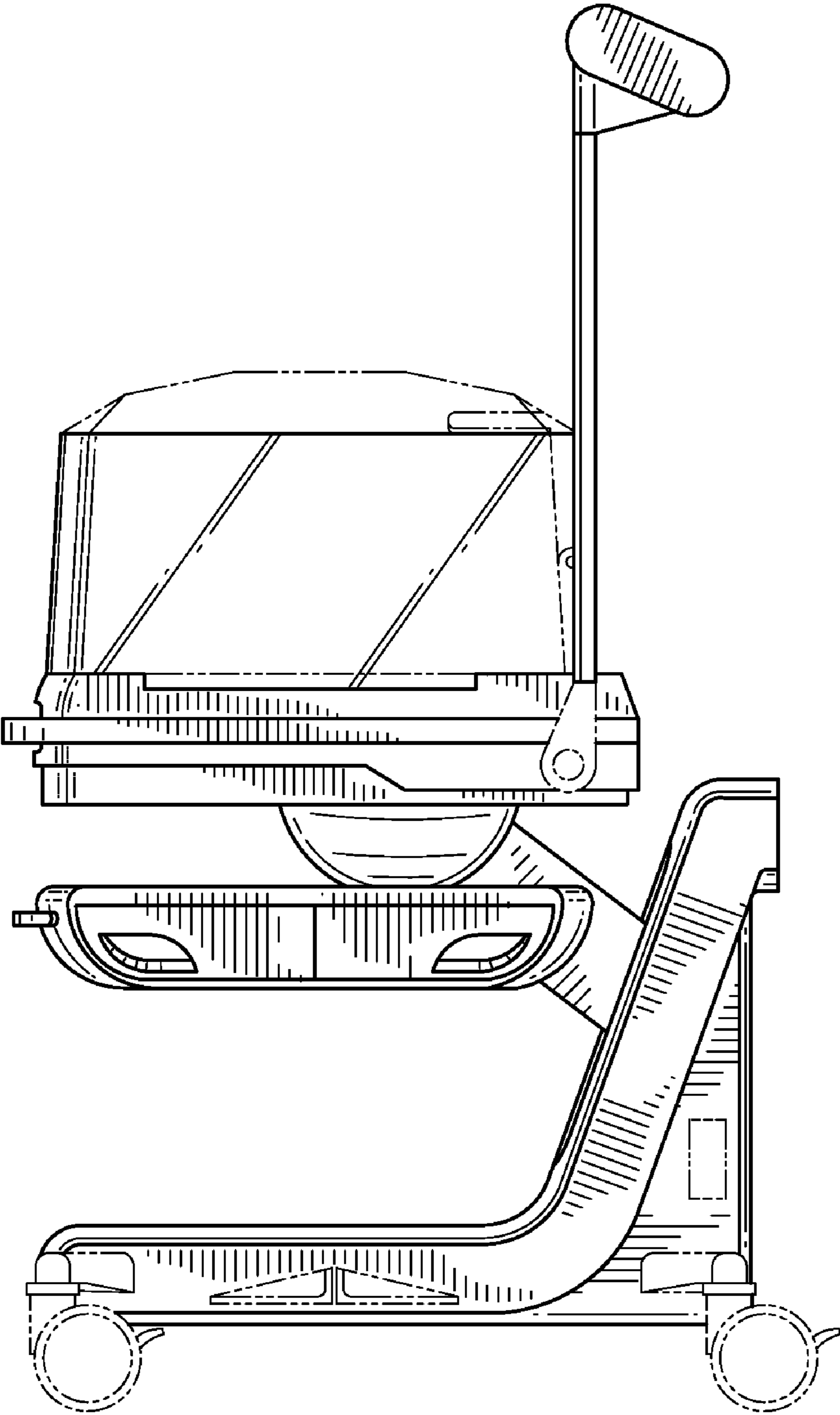


FIG.4

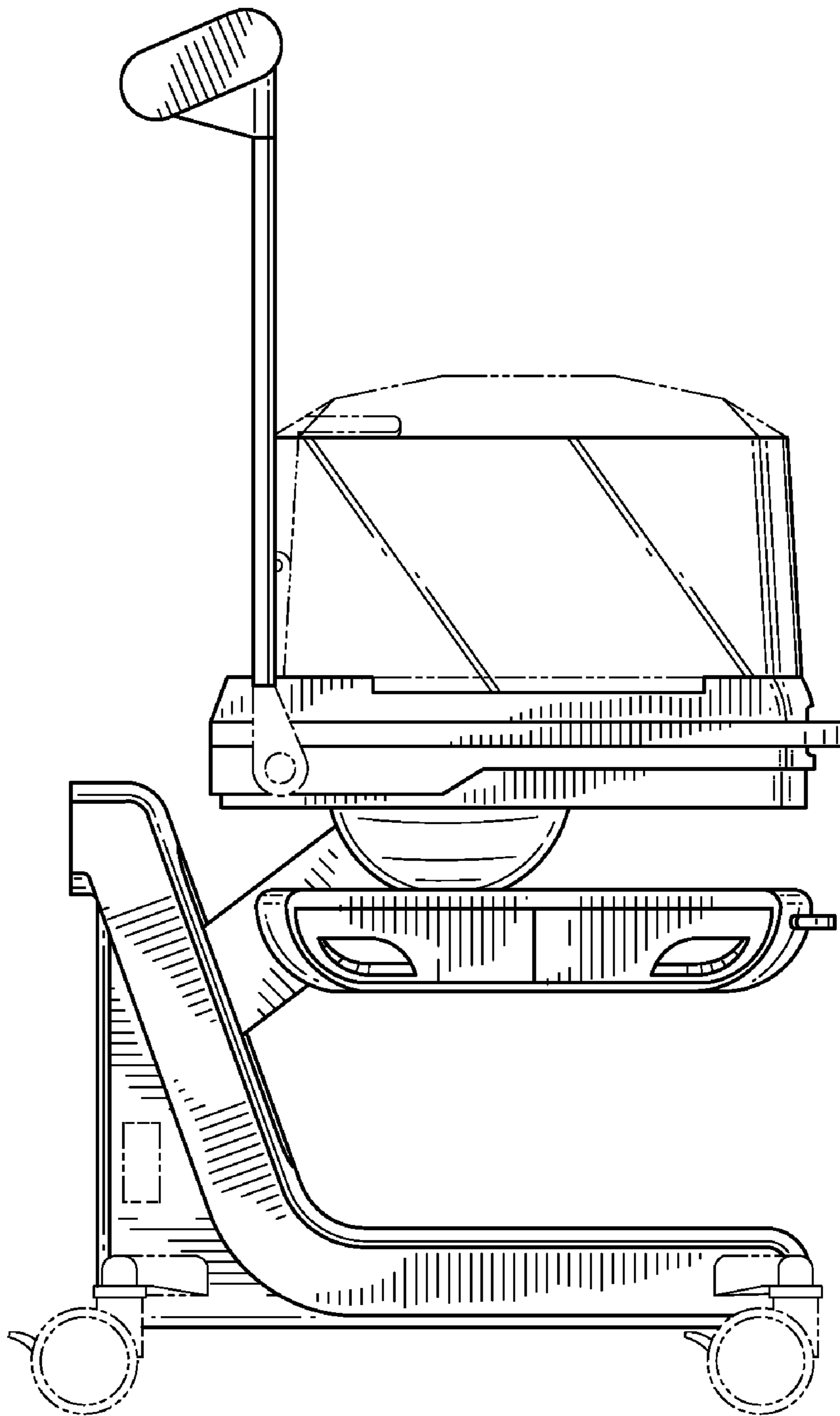


FIG.5

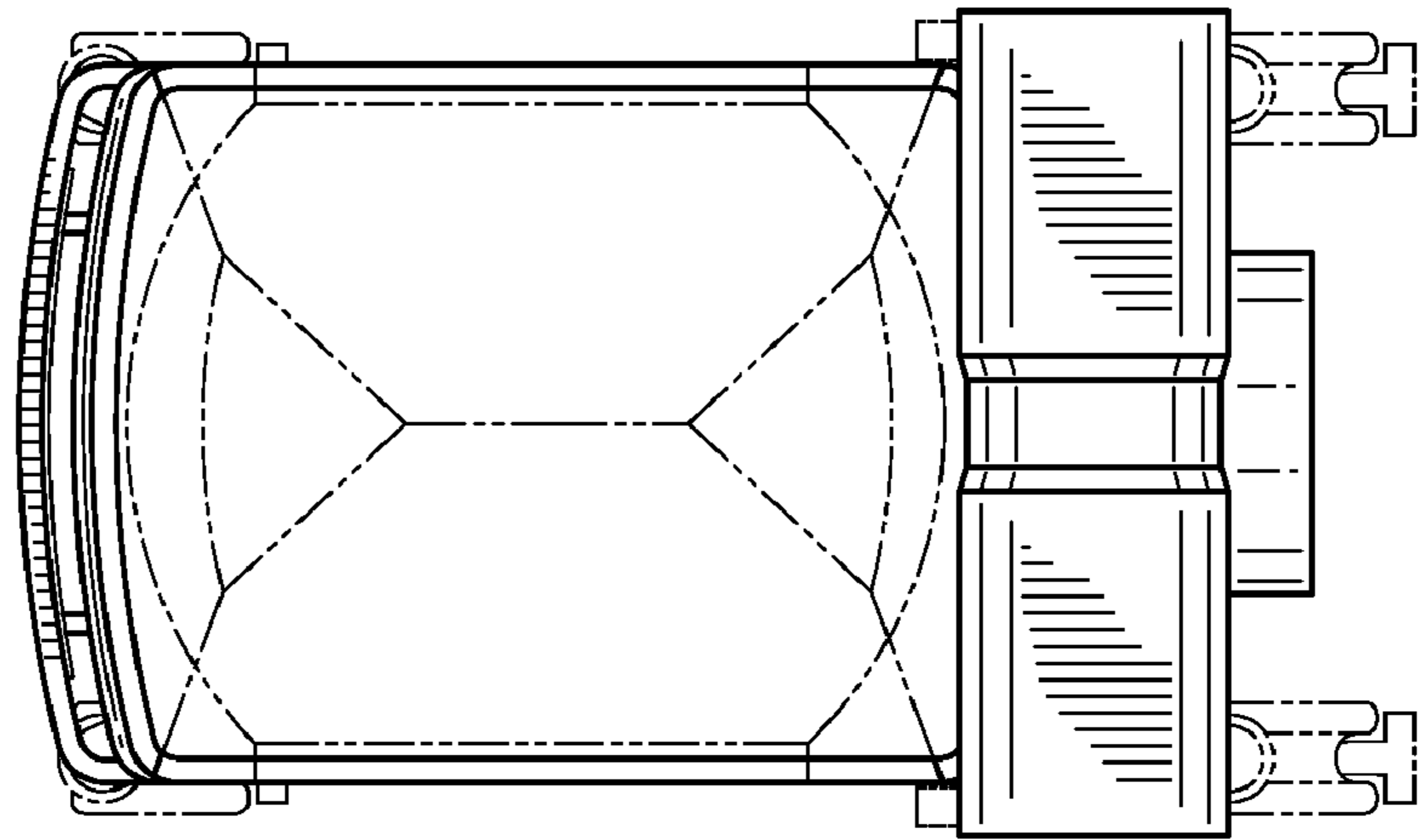


FIG. 6

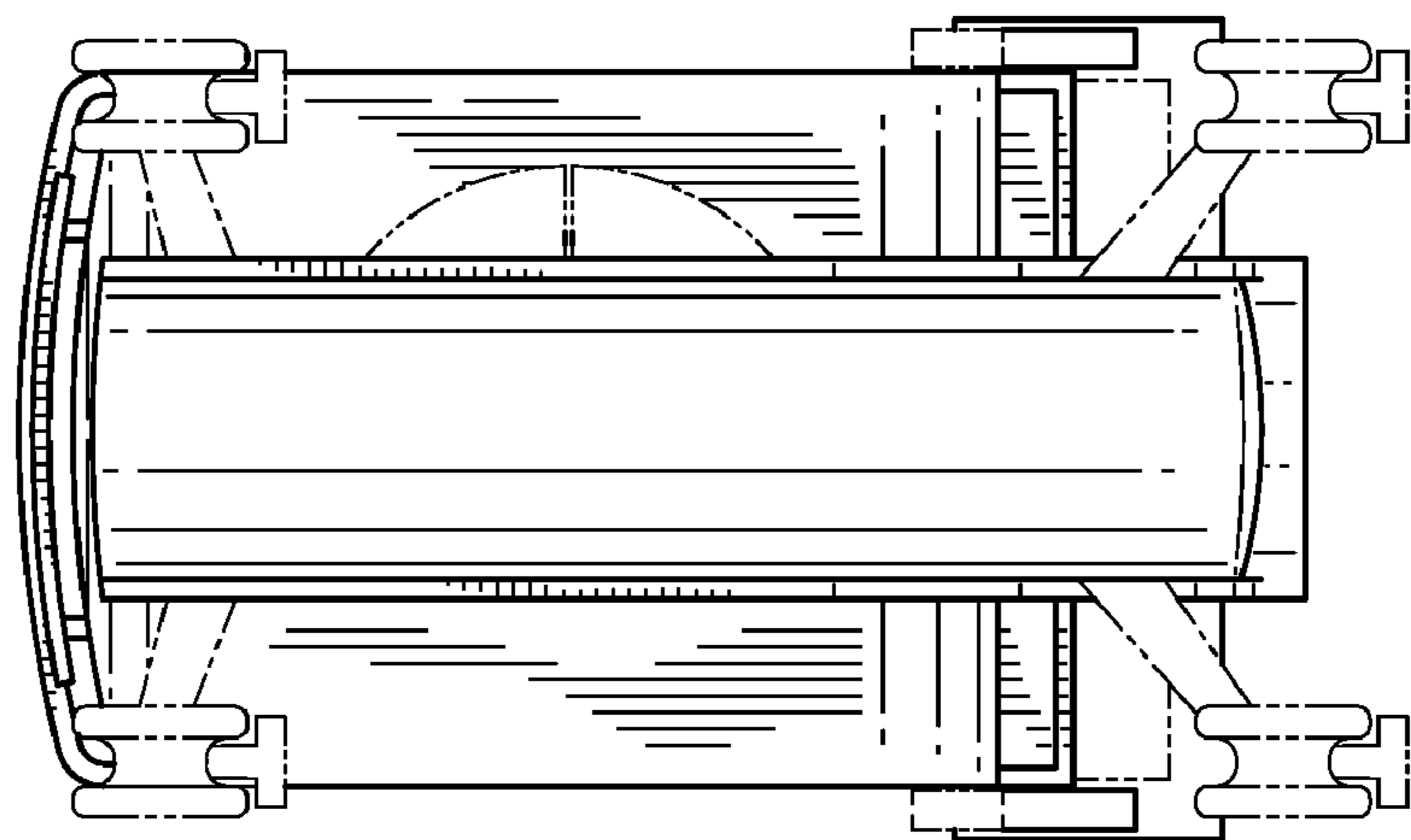


FIG. 7