



US00D604415S

(12) **United States Design Patent**  
**Otsuka et al.**

(10) **Patent No.:** **US D604,415 S**  
(45) **Date of Patent:** **\*\* Nov. 17, 2009**

(54) **RADIOGRAPHY APPARATUS FOR DENTAL TREATMENT**

D571,471 S \* 6/2008 Stockl ..... D24/158  
7,424,091 B2 \* 9/2008 Park et al. .... 378/39  
2006/0227938 A1 \* 10/2006 Walker et al. .... 378/195

(75) Inventors: **Masanori Otsuka**, Kyoto (JP); **Masaya Tatsumi**, Kyoto (JP); **Makoto Honjo**, Kyoto (JP)

FOREIGN PATENT DOCUMENTS

(73) Assignee: **J. Morita Manufacturing Corporation** (JP)

JP	578651	6/1982
JP	703247	4/1987
JP	961622	8/1996
JP	978508	4/1997
JP	978508-1	3/1999
JP	1286673	11/2006

(\*\*) Term: **14 Years**

\* cited by examiner

(21) Appl. No.: **29/291,679**

*Primary Examiner*—T. Chase Nelson

(22) Filed: **Sep. 7, 2007**

*Assistant Examiner*—Anhdao Doan

(30) **Foreign Application Priority Data**

(74) *Attorney, Agent, or Firm*—Saidman DesignLaw Group

Mar. 16, 2007 (JP) ..... 2007-010064

(57) **CLAIM**

(51) **LOC (9) Cl.** ..... **24-01**

The ornamental design for a radiography apparatus for dental treatment, as shown and described.

(52) **U.S. Cl.** ..... **D24/158**

(58) **Field of Classification Search** ..... D24/158–161,  
D24/183, 186; 378/4, 15, 17, 19, 20, 21–27,  
378/38–40, 102, 146, 195, 197, 198; 600/409,  
600/410, 425, 476

**DESCRIPTION**

See application file for complete search history.

FIG. 1 is a front view of a radiography apparatus for dental treatment, showing our new design;

FIG. 2 is a rear view thereof;

(56) **References Cited**

U.S. PATENT DOCUMENTS

D272,385 S *	1/1984	Nakano et al.	.....	D24/158
D323,892 S *	2/1992	Spoljaric	.....	D24/158
D417,503 S *	12/1999	Spoljaric	.....	D24/158
6,169,780 B1 *	1/2001	Yoshimura et al.	.....	378/39
6,243,439 B1 *	6/2001	Arai et al.	.....	378/20
6,584,171 B2 *	6/2003	Suzuki et al.	.....	378/98.8
D477,407 S *	7/2003	Malmen	.....	D24/158
D502,543 S *	3/2005	Phleps et al.	.....	D24/158

FIG. 3 is a top plan view thereof;

FIG. 4 is a bottom plan view thereof;

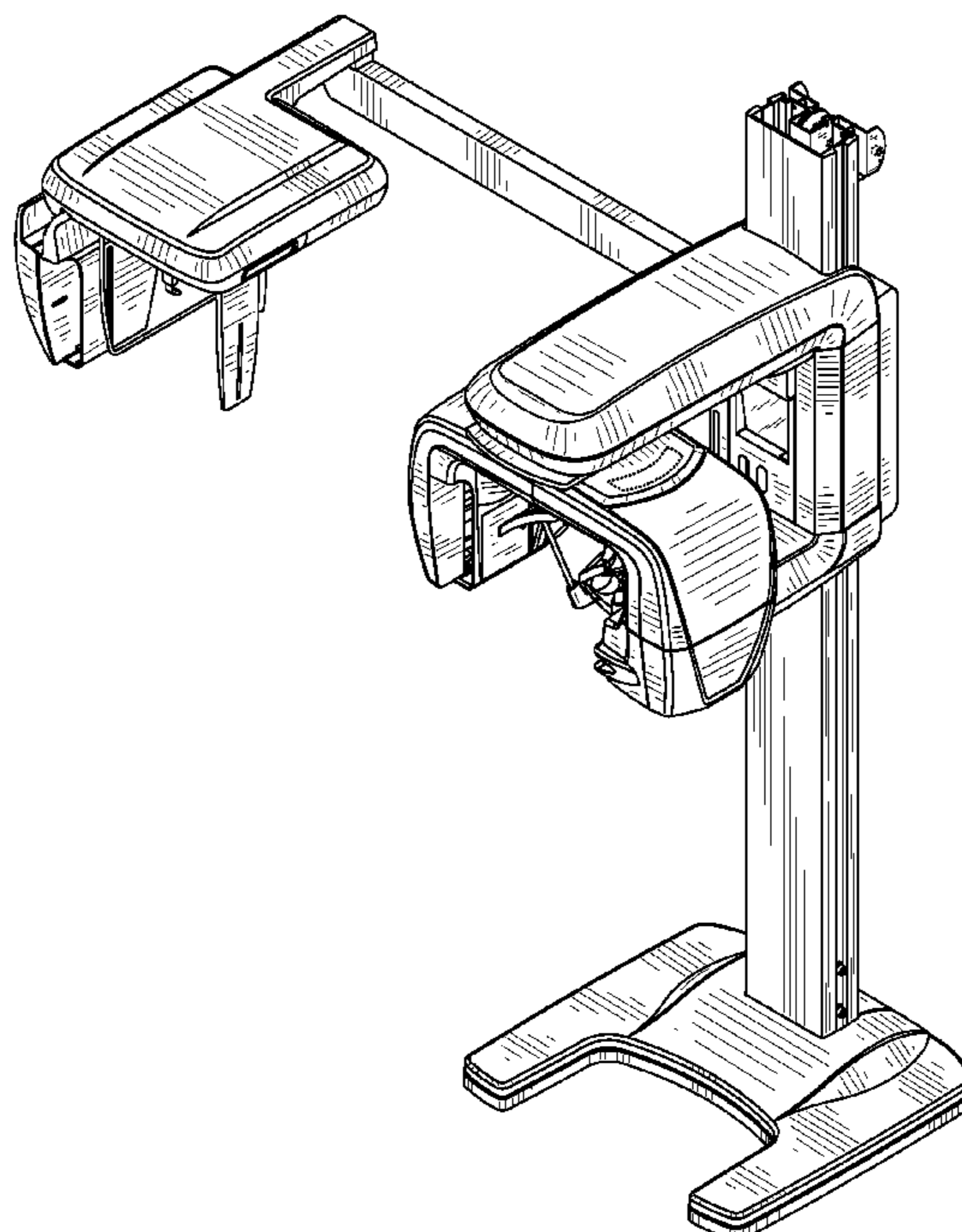
FIG. 5 is a right side view thereof;

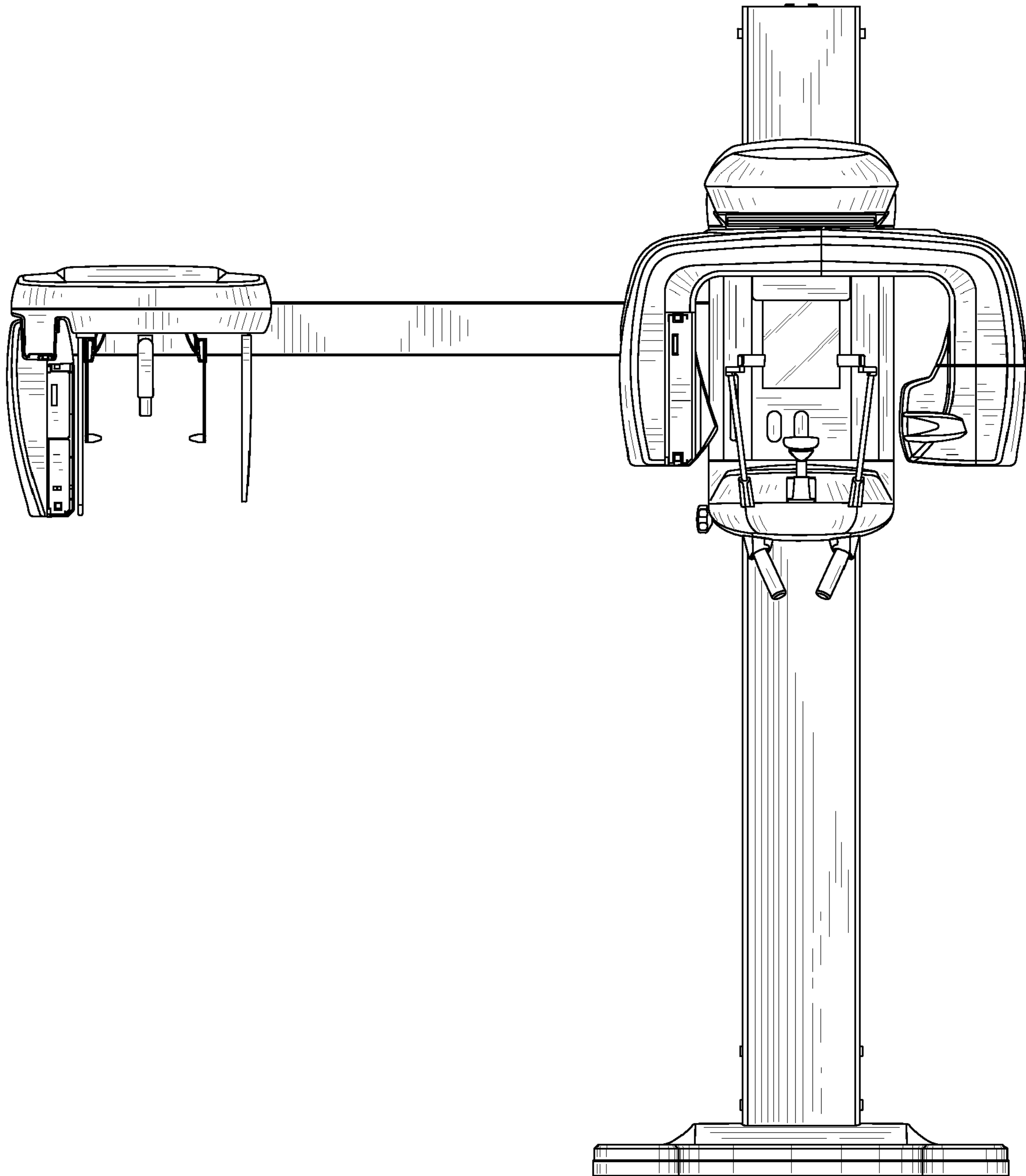
FIG. 6 is a left side view thereof; and,

FIG. 7 is a perspective view thereof.

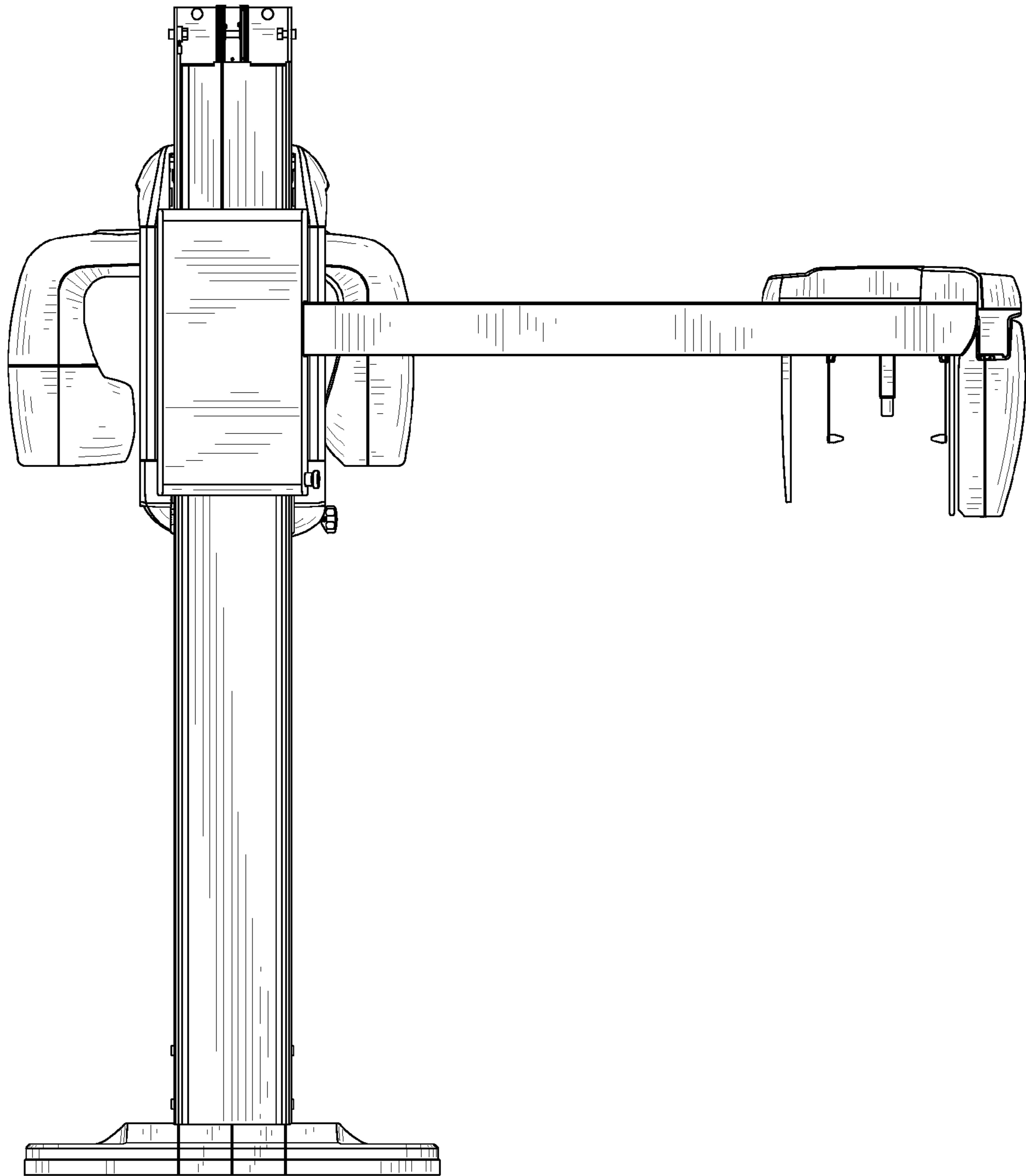
The broken lines are environmental only and form no part of the claimed design.

**1 Claim, 7 Drawing Sheets**

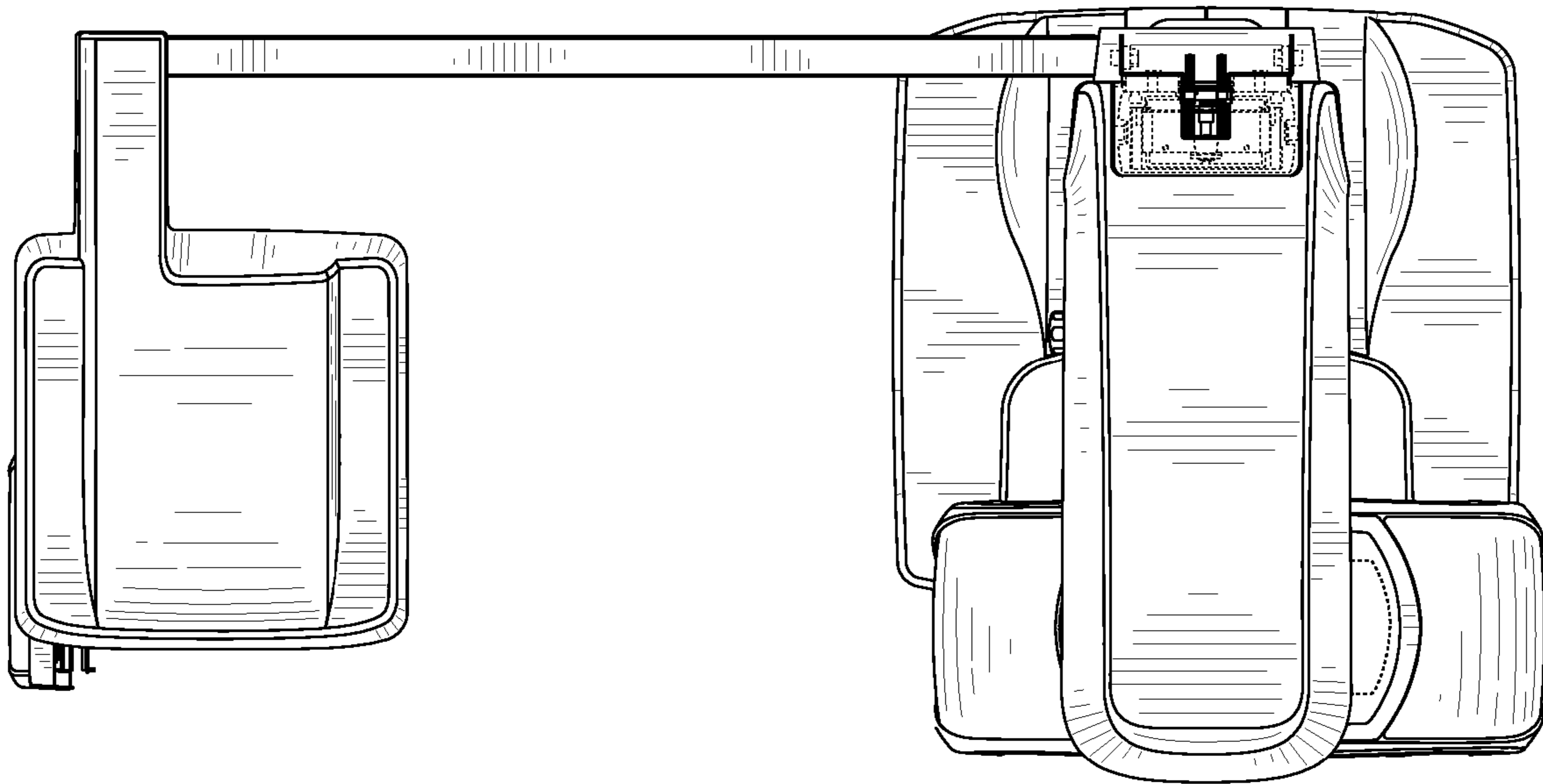




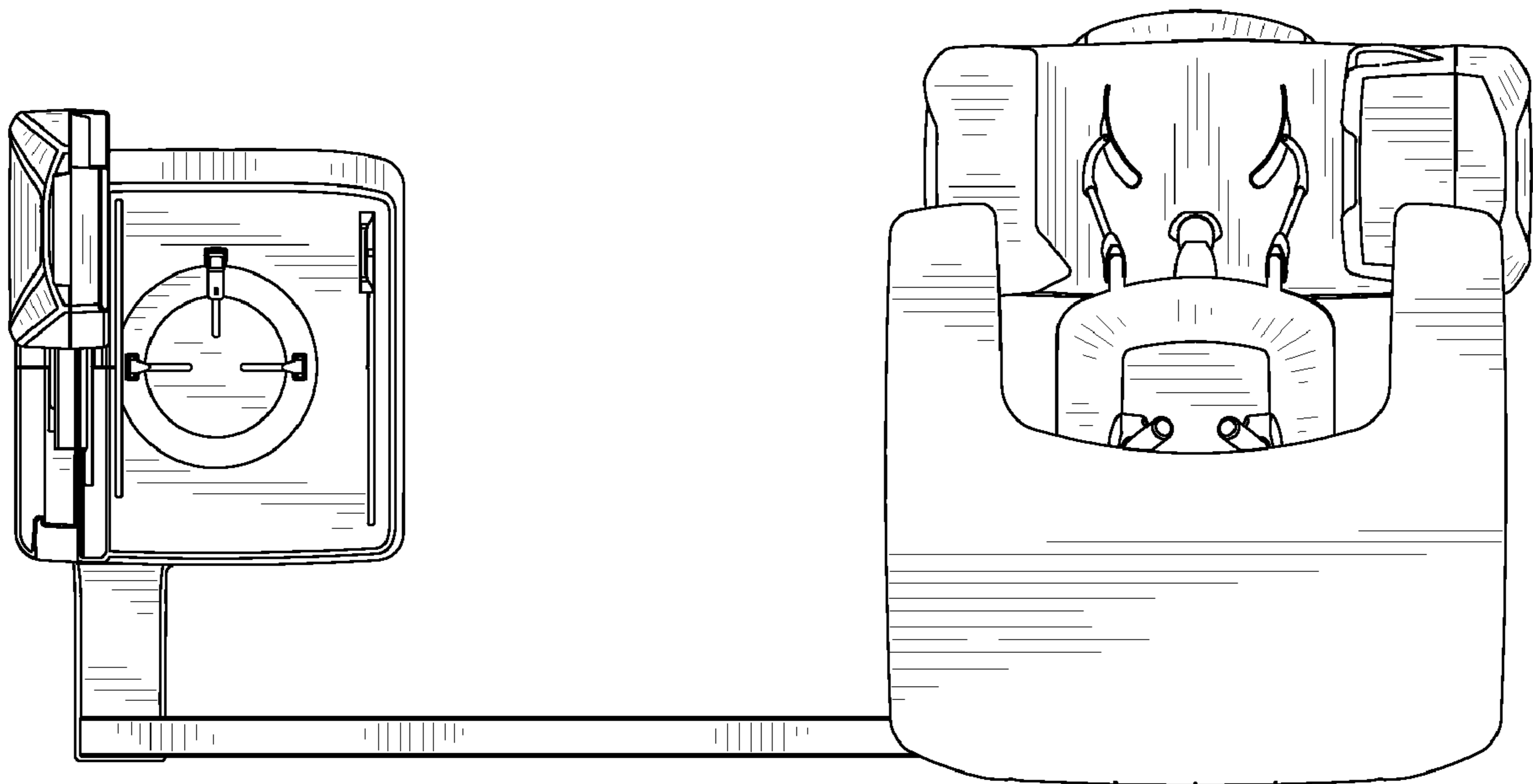
**Fig. 1**



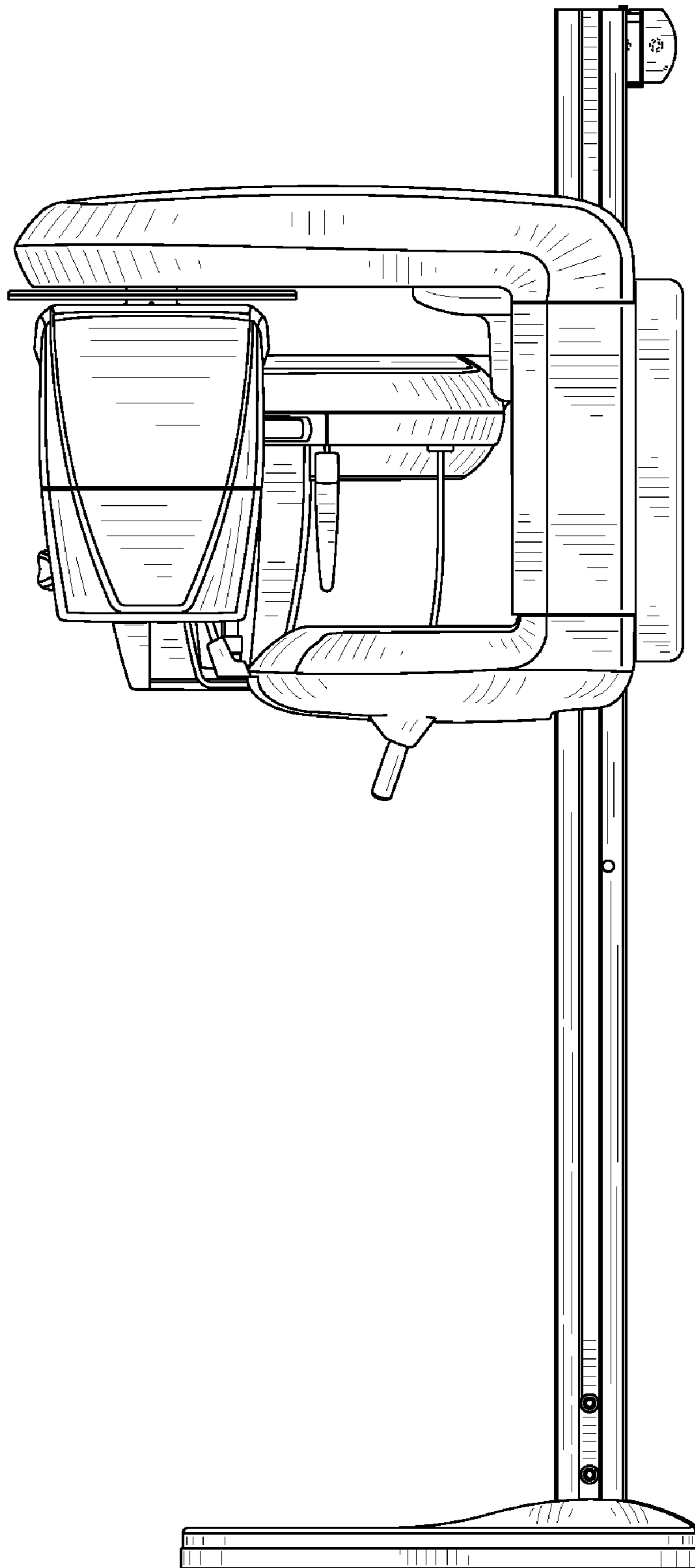
**Fig. 2**



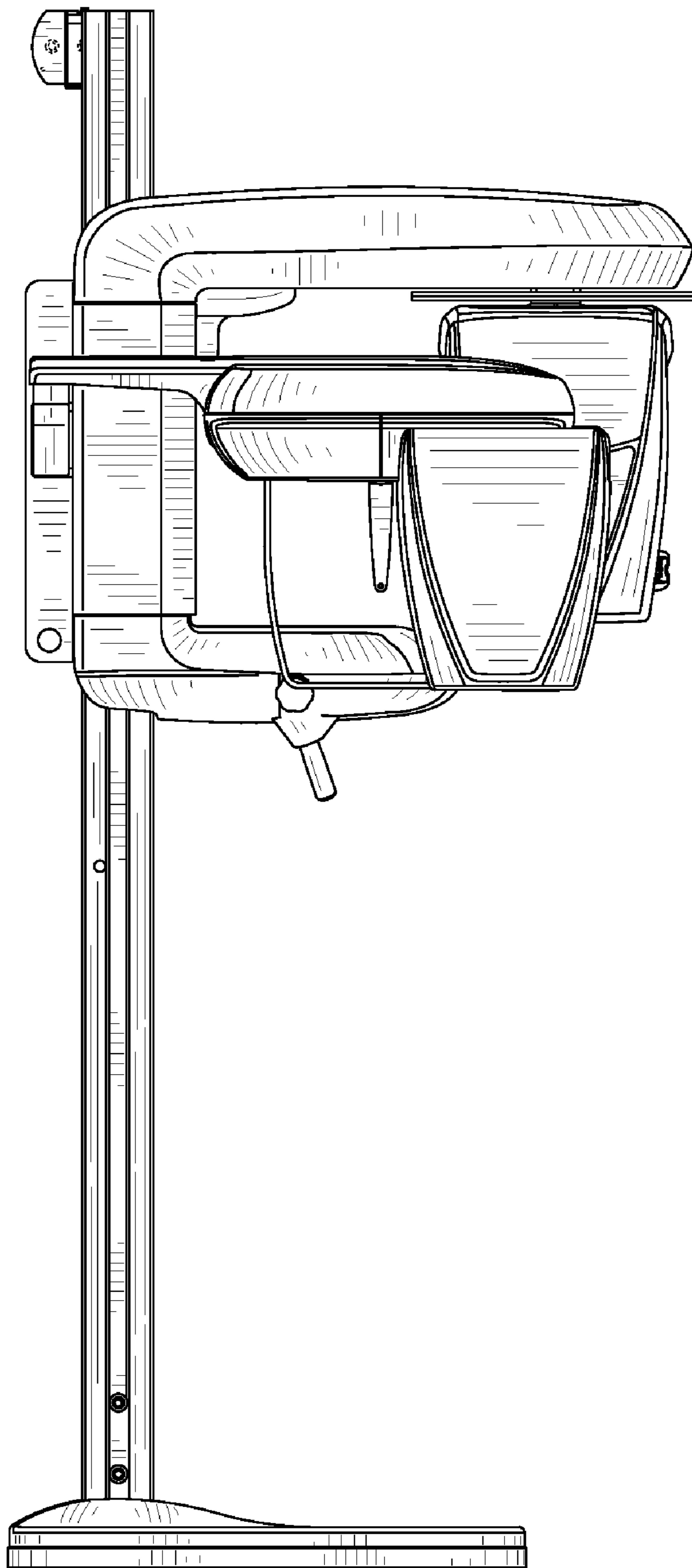
**Fig. 3**



**Fig. 4**

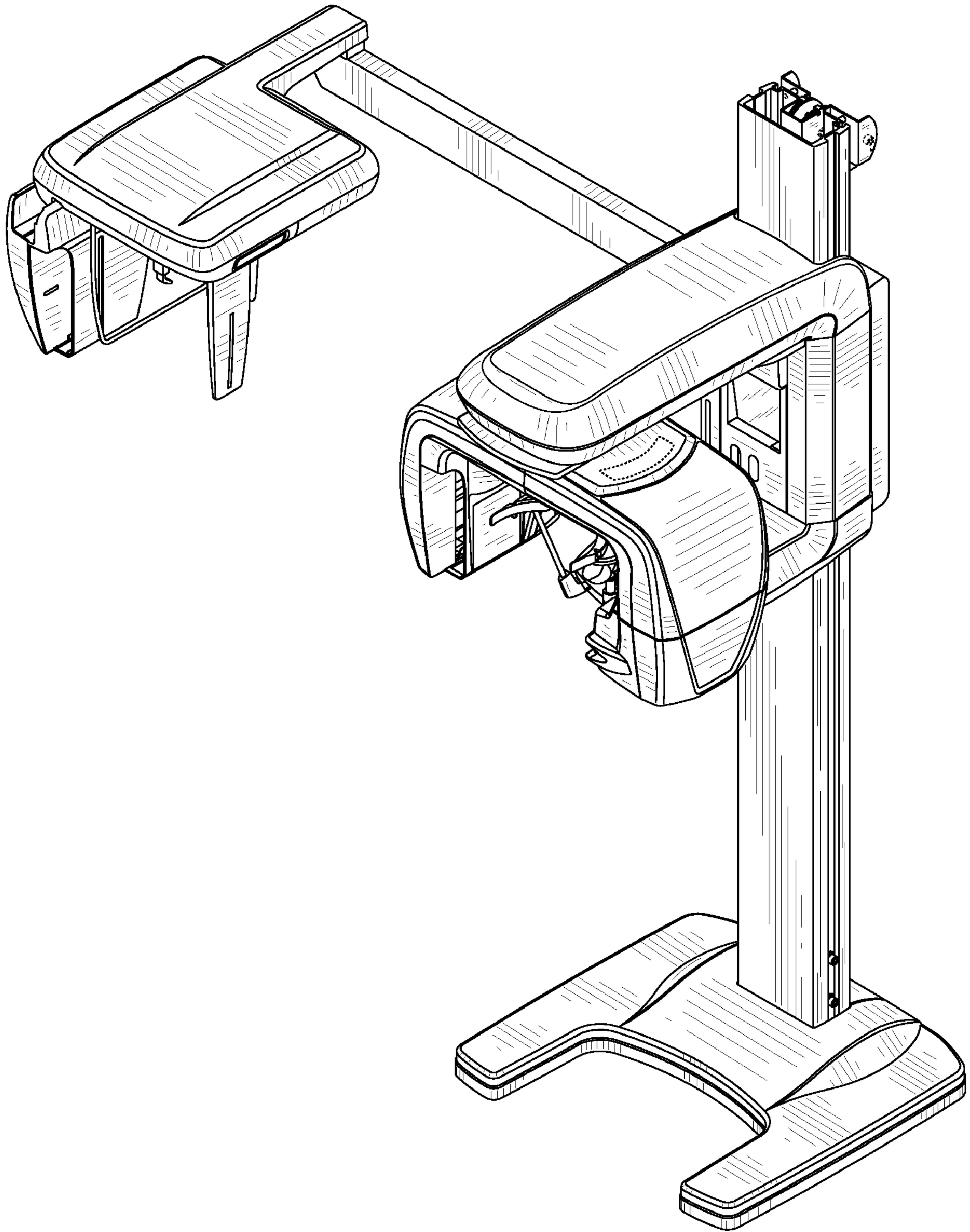


**Fig. 5**



**Fig. 6**





**Fig. 7**