



US00D604414S

(12) **United States Design Patent**
Otsuka et al.

(10) **Patent No.:** **US D604,414 S**
(45) **Date of Patent:** **** Nov. 17, 2009**

(54) **RADIOGRAPHY APPARATUS FOR DENTAL TREATMENT**

D571,471 S * 6/2008 Stockl D24/158
7,424,091 B2 * 9/2008 Park et al. 378/39
2006/0227938 A1 * 10/2006 Walker et al. 378/195

(75) Inventors: **Masanori Otsuka**, Kyoto (JP); **Masaya Tatsumi**, Kyoto (JP); **Makoto Honjo**, Kyoto (JP)

FOREIGN PATENT DOCUMENTS

(73) Assignee: **J. Morita Manufacturing Corporation** (JP)

JP	578651	6/1982
JP	703247	4/1987
JP	961622	8/1996
JP	978508	4/1997
JP	978508-1	3/1999
JP	1286673	11/2006

(**) Term: **14 Years**

* cited by examiner

(21) Appl. No.: **29/291,676**

Primary Examiner—T. Chase Nelson

(22) Filed: **Sep. 7, 2007**

Assistant Examiner—Anhdao Doan

(30) **Foreign Application Priority Data**

(74) *Attorney, Agent, or Firm*—Saidman DesignLaw Group

Mar. 16, 2007 (JP) D 2007-010063

(57) **CLAIM**

(51) **LOC (9) Cl.** **24-01**

The ornamental design for a radiography apparatus for dental treatment, as shown and described.

(52) **U.S. Cl.** **D24/158**

(58) **Field of Classification Search** D24/158–161,
D24/183, 186; 378/4, 15, 17, 19, 20, 21–27,
378/38–40, 102, 146, 195, 197, 198; 600/409,
600/410, 425, 476

DESCRIPTION

See application file for complete search history.

FIG. 1 is a front view of a radiography apparatus for dental treatment, showing our new design;

(56) **References Cited**

FIG. 2 is a rear view thereof;

U.S. PATENT DOCUMENTS

D272,385 S *	1/1984	Nakano et al.	D24/158
D323,892 S *	2/1992	Spoljaric	D24/158
D417,503 S *	12/1999	Spoljaric	D24/158
6,169,780 B1 *	1/2001	Yoshimura et al.	378/39
6,243,439 B1 *	6/2001	Arai et al.	378/20
6,584,171 B2 *	6/2003	Suzuki et al.	378/98.8
D477,407 S *	7/2003	Malmen	D24/158
D502,543 S *	3/2005	Phleps et al.	D24/158

FIG. 3 is a top plan view thereof;

FIG. 4 is a bottom plan view thereof;

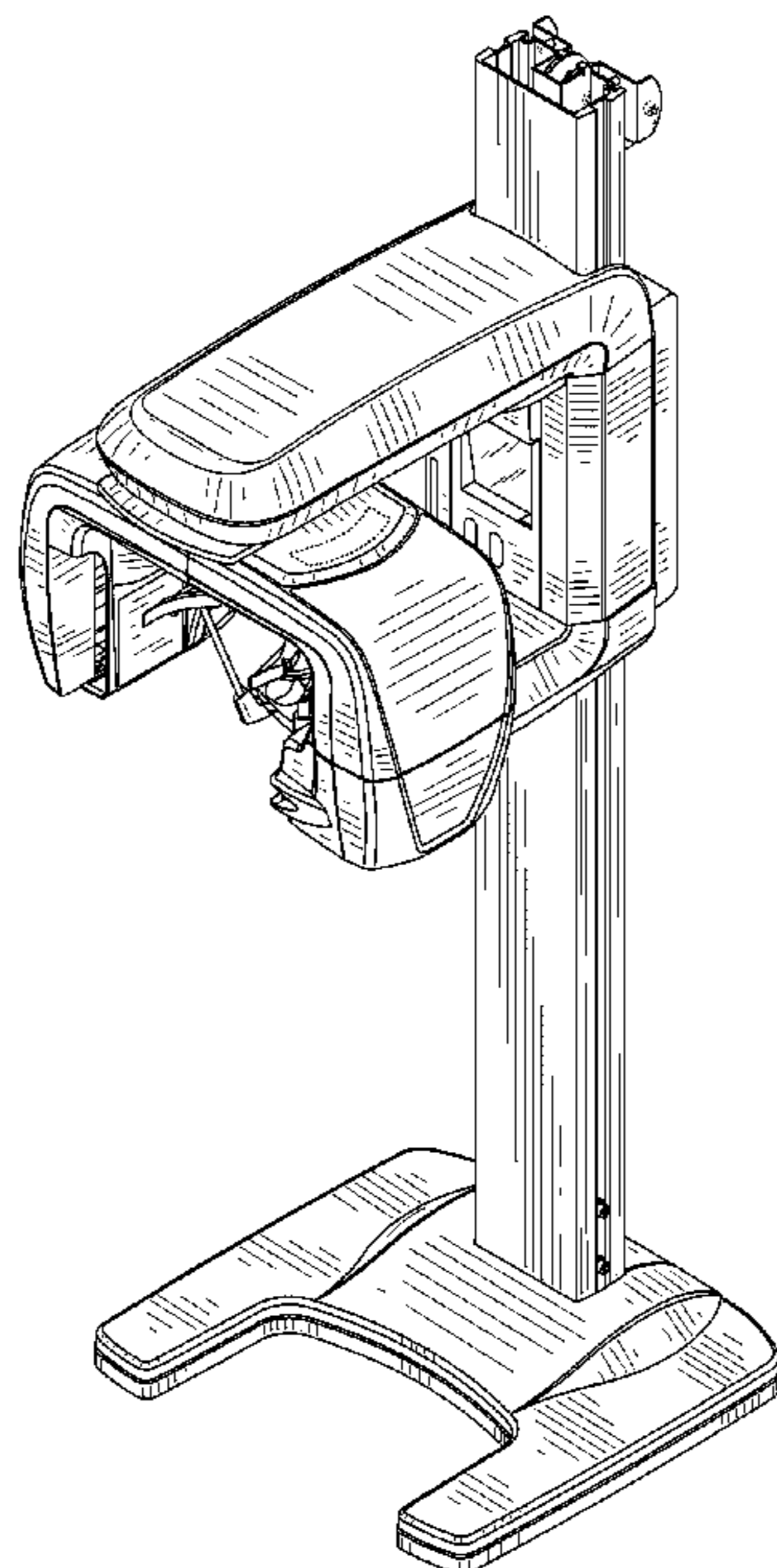
FIG. 5 is a right side view thereof;

FIG. 6 is a left side view thereof; and,

FIG. 7 is a perspective view thereof.

The broken lines are environmental only and form no part of the claimed design.

1 Claim, 7 Drawing Sheets



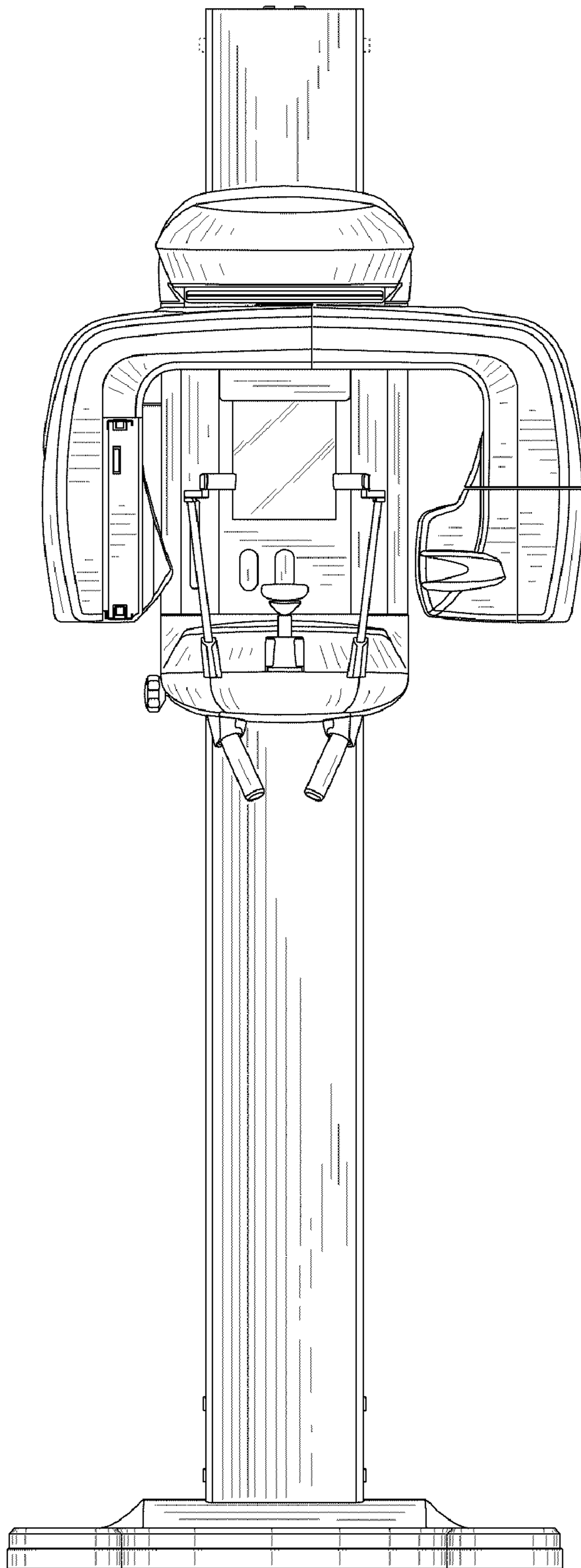


Fig. 1

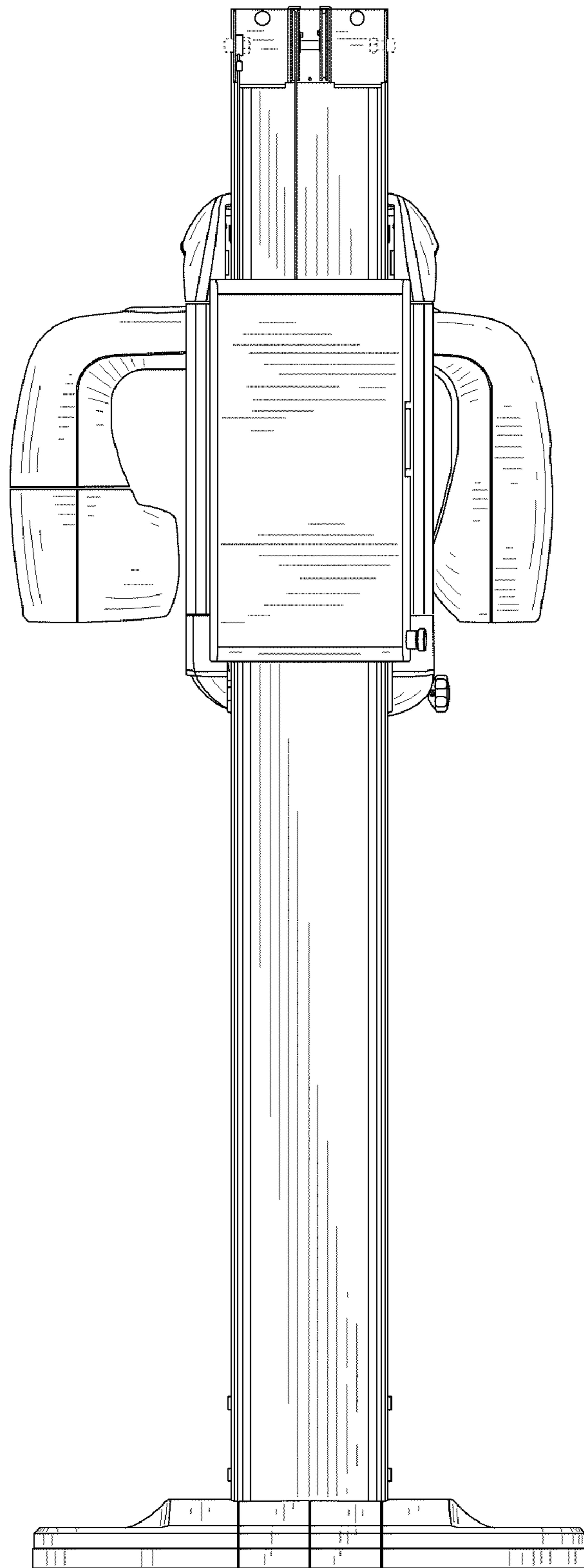


Fig. 2

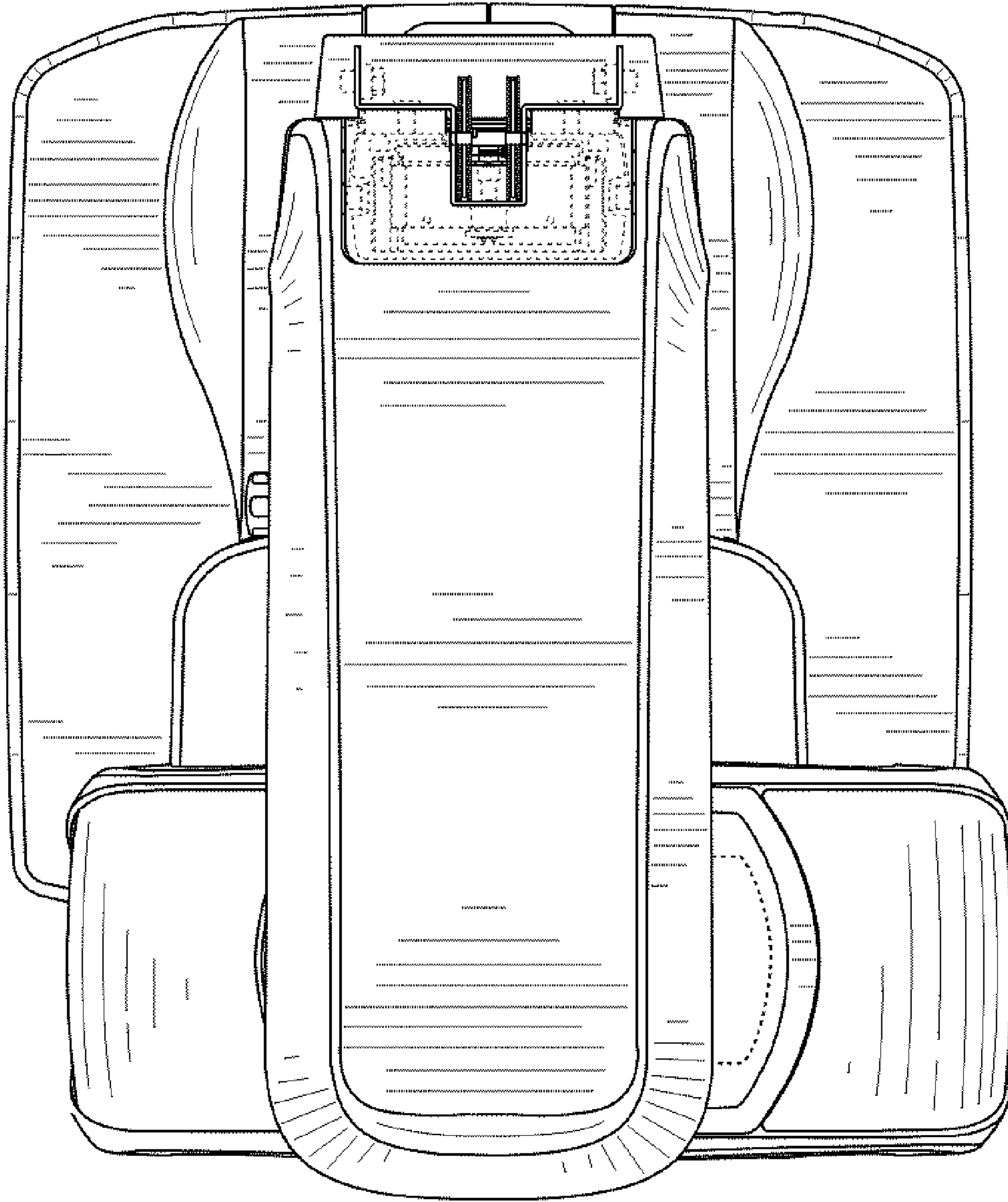


Fig. 3

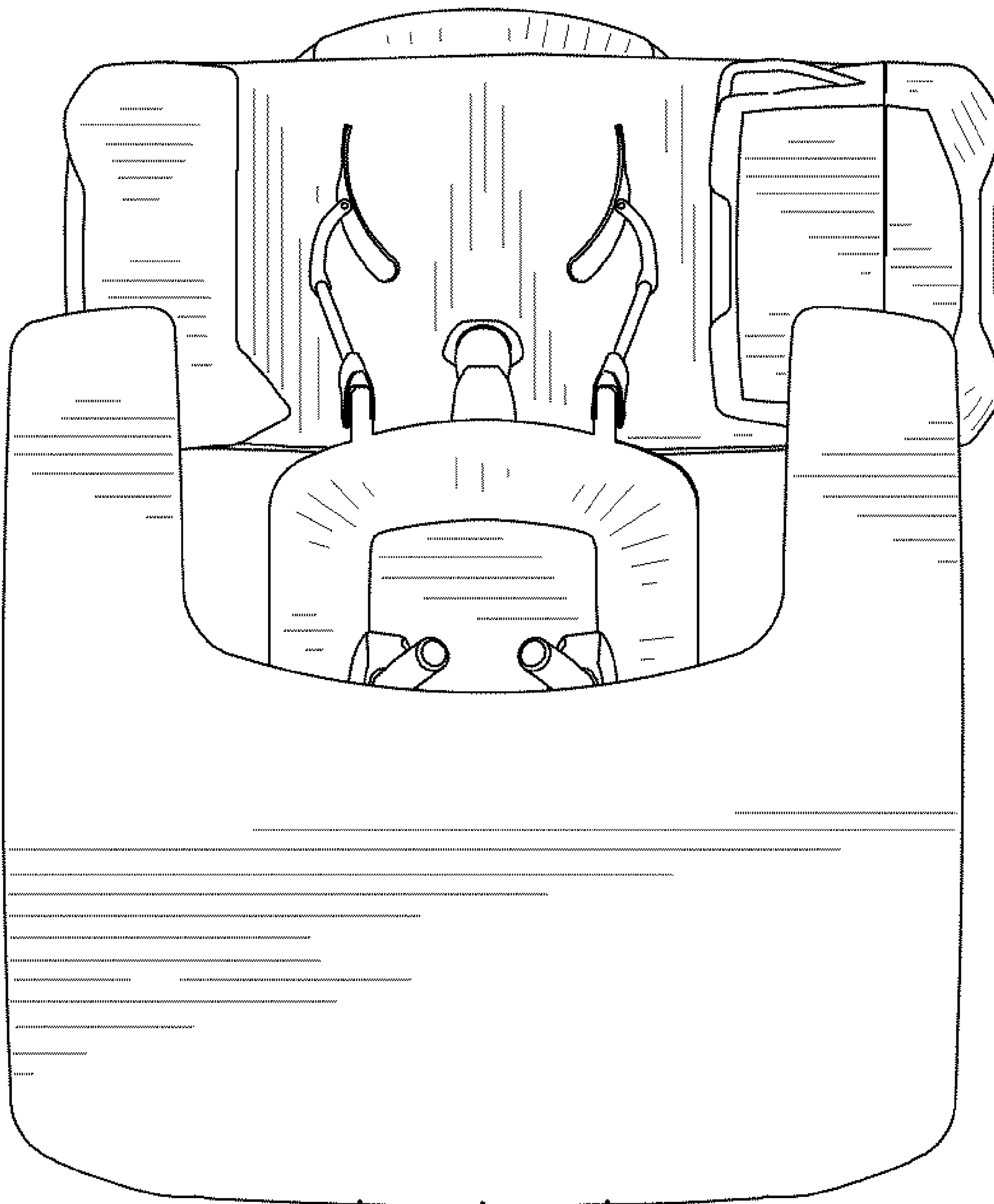


Fig. 4

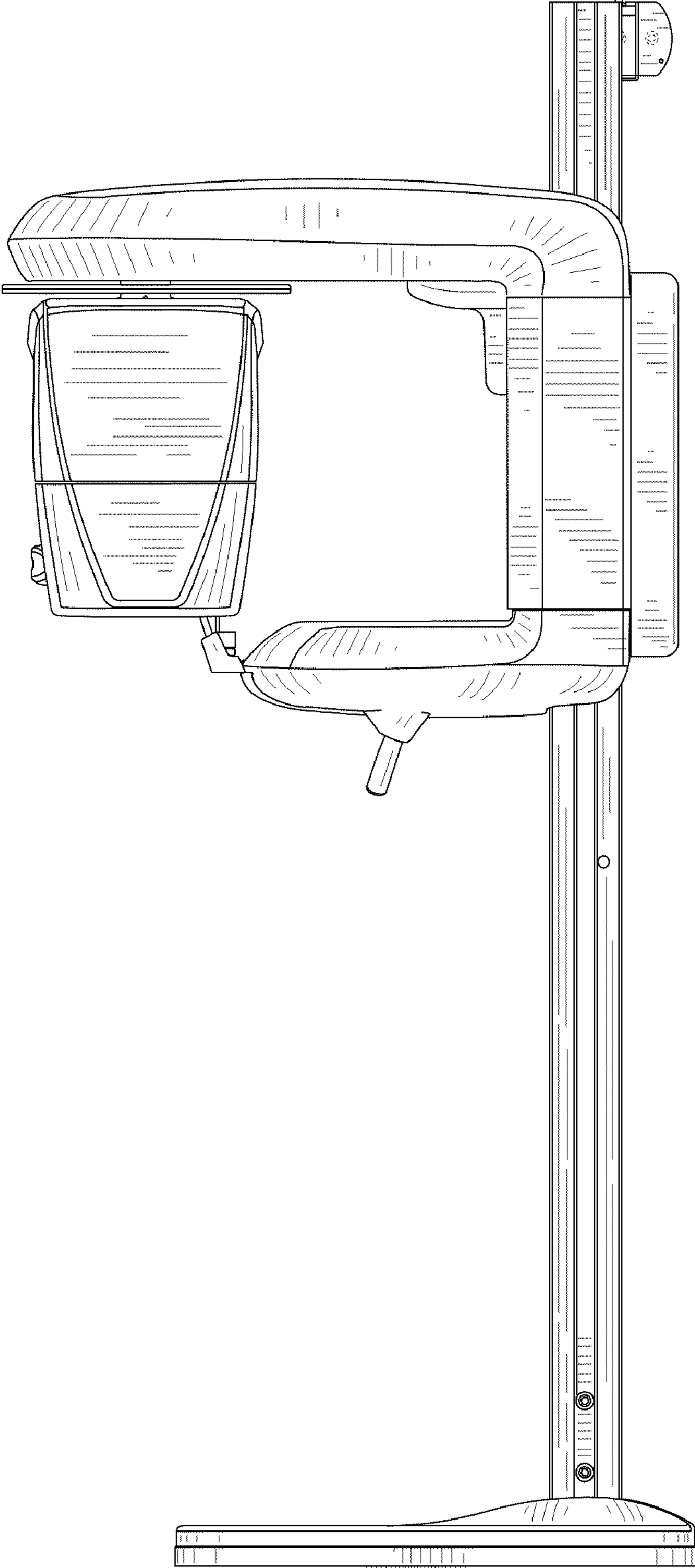


Fig. 5

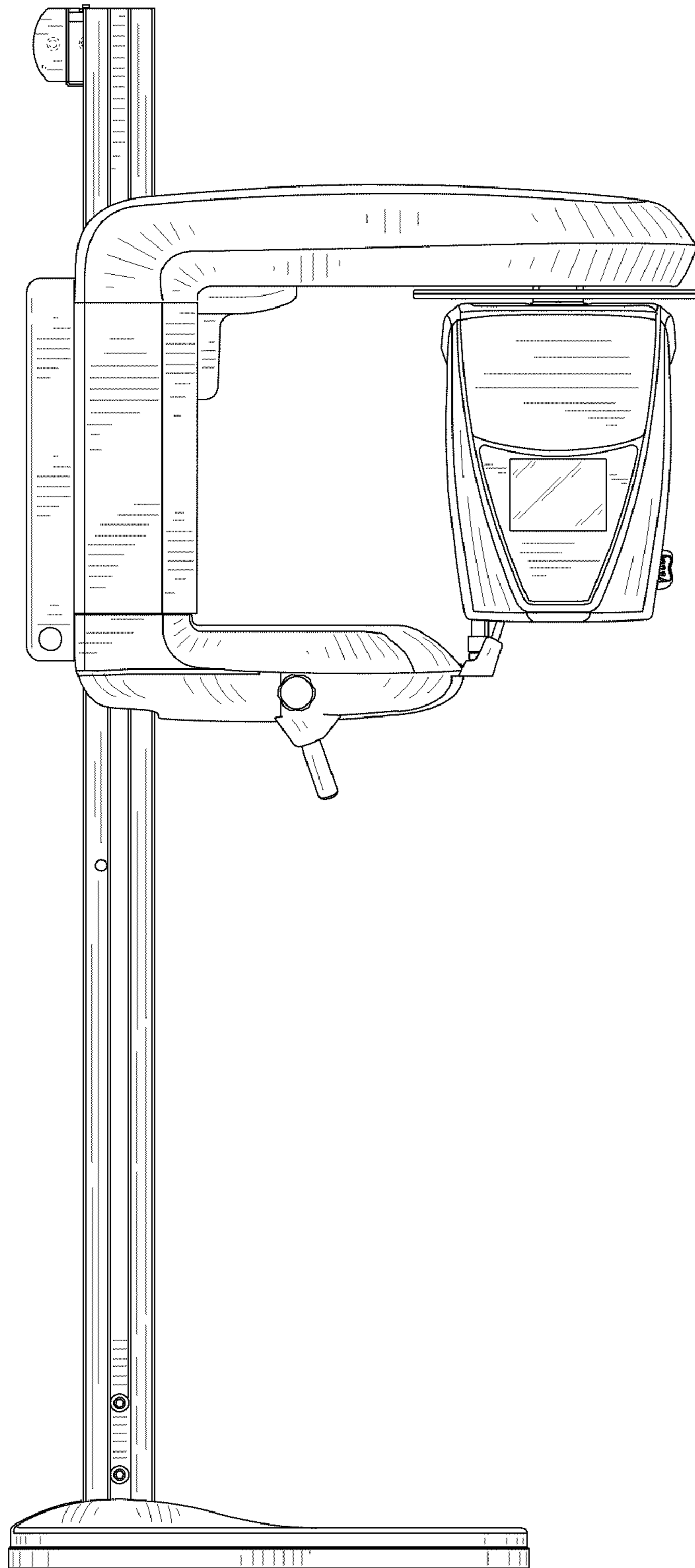


Fig. 6

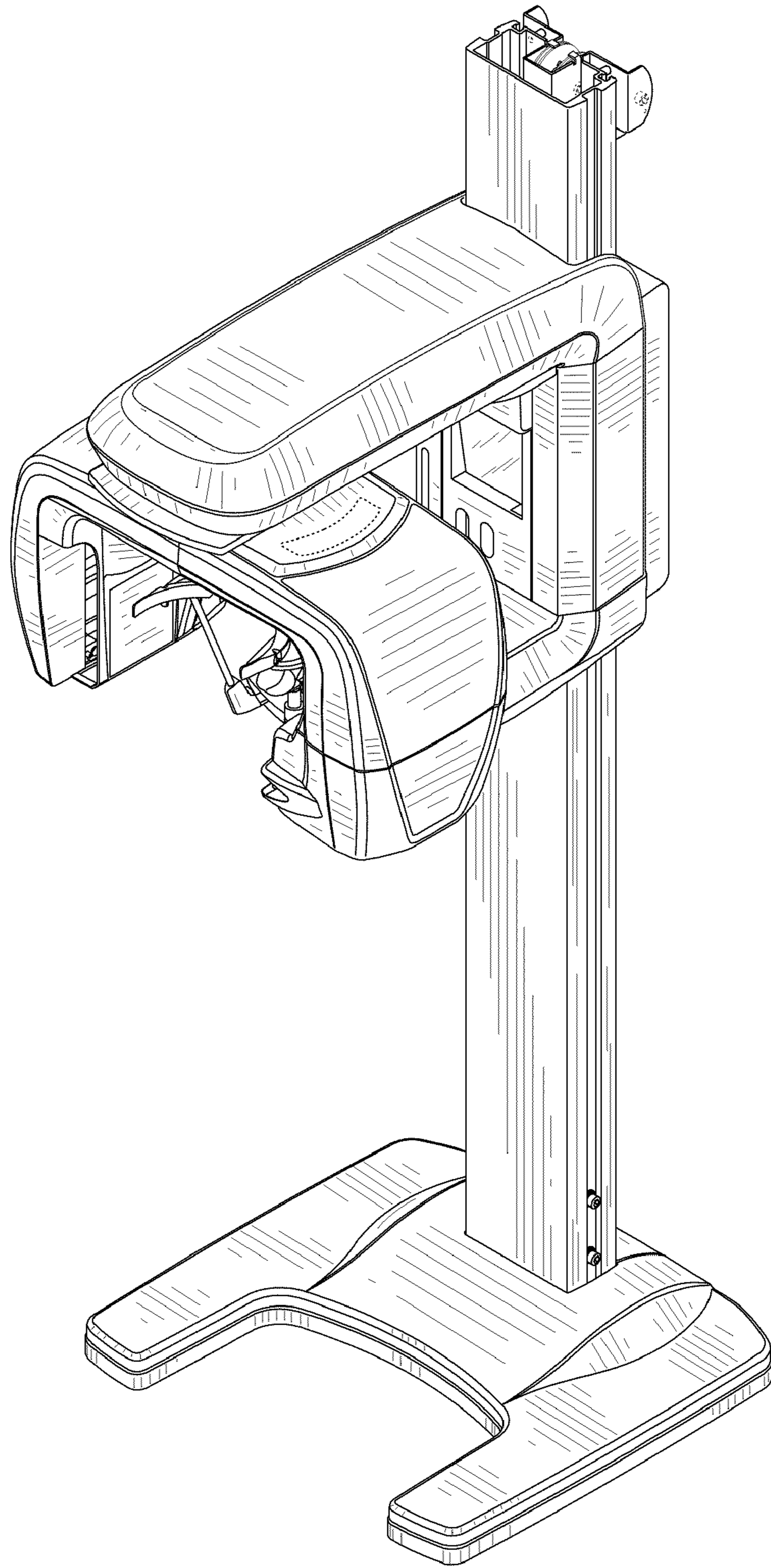


Fig. 7