



US00D604413S

(12) **United States Design Patent**
Ikeya et al.

(10) **Patent No.:** **US D604,413 S**

(45) **Date of Patent:** **** Nov. 17, 2009**

(54) **IMPRESSION COPING**

D528,210 S * 9/2006 Boettcher D24/156

(75) Inventors: **Ryosuke Ikeya**, Tokyo (JP); **Shinichiro Hanada**, Tokyo (JP); **Masashi Takahashi**, Tokyo (JP)

OTHER PUBLICATIONS

U.S. Appl. No. 12/207,069, filed Sep. 9, 2008, Sakaguchi et al.
U.S. Appl. No. 29/325,103, filed Sep. 25, 2008, Ikeya, et al.
U.S. Appl. No. 29/325,258, filed Sep. 26, 2008, Fares, et al.
U.S. Appl. No. 29/325,154, filed Sep. 26, 2008, Fares, et al.
U.S. Appl. No. 29/325,397, filed Sep. 30, 2008, Fares, et al.
U.S. Appl. No. 29/326,604, filed Oct. 21, 2008, Fares, et al.

(73) Assignee: **GC Corporation**, Tokyo (JP)

(**) Term: **14 Years**

* cited by examiner

(21) Appl. No.: **29/325,103**

Primary Examiner—Charles A Rademaker

(22) Filed: **Sep. 25, 2008**

(74) *Attorney, Agent, or Firm*—Oblon, Spivak, McClelland, Maier & Neustadt, L.L.P.

(30) **Foreign Application Priority Data**

Mar. 26, 2008 (JP) 2008-007589

(57) **CLAIM**

(51) **LOC (9) Cl.** **24-03**

The ornamental design for a retailer for an impression coping, as shown and described.

(52) **U.S. Cl.** **D24/156**

(58) **Field of Classification Search** D24/155,
D24/156, 180, 176; D8/387, 176; 433/173,
433/176; 606/304, 74, 72

DESCRIPTION

See application file for complete search history.

FIG. 1 is a front elevational view of an impression coping, showing our design, the rear elevational view being a mirror image of the front view shown;

(56) **References Cited**

U.S. PATENT DOCUMENTS

D342,314 S * 12/1993 Miller D24/156
D353,674 S * 12/1994 Jorneus D24/156
D358,212 S * 5/1995 Sullivan D24/156
D362,720 S * 9/1995 Holmen et al. D24/155
D370,978 S * 6/1996 Broberg et al. D24/156
5,533,898 A * 7/1996 Mena 433/173
D380,047 S * 6/1997 Gelb D24/156
5,759,034 A * 6/1998 Daftary 433/173
D401,694 S * 11/1998 Daftary D24/155
7,037,309 B2 * 5/2006 Weil et al. 606/304

FIG. 2 is a left side elevational view thereof;

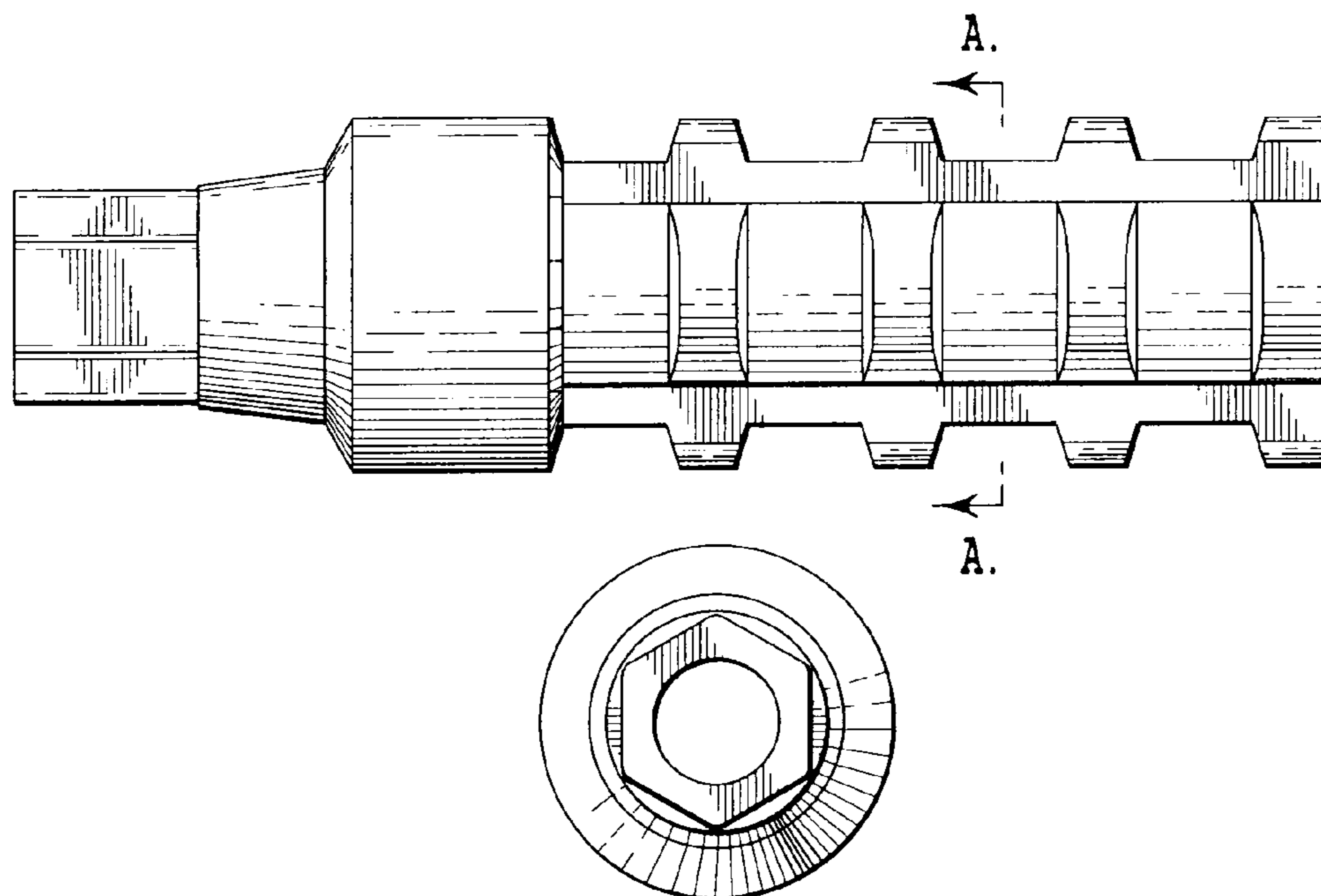
FIG. 3 is a right side elevational view thereof;

FIG. 4 is a top plan view thereof, the bottom plan view being a mirror image of the plan view shown;

FIG. 5 is a cross-sectional view thereof, taken along line A—A in FIG. 1; and,

FIG. 6 is a cross-sectional view taken along line B—B in FIG. 3.

1 Claim, 3 Drawing Sheets



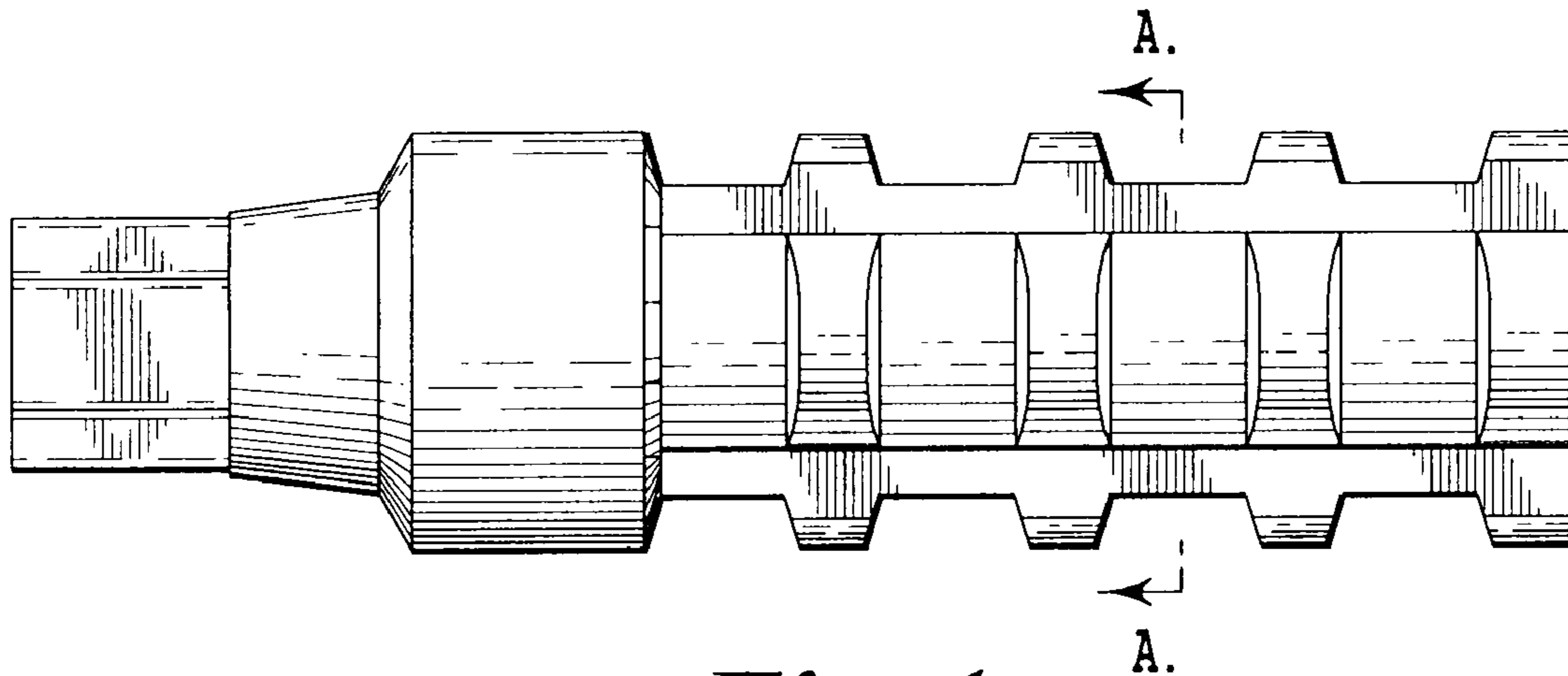


Fig. 1

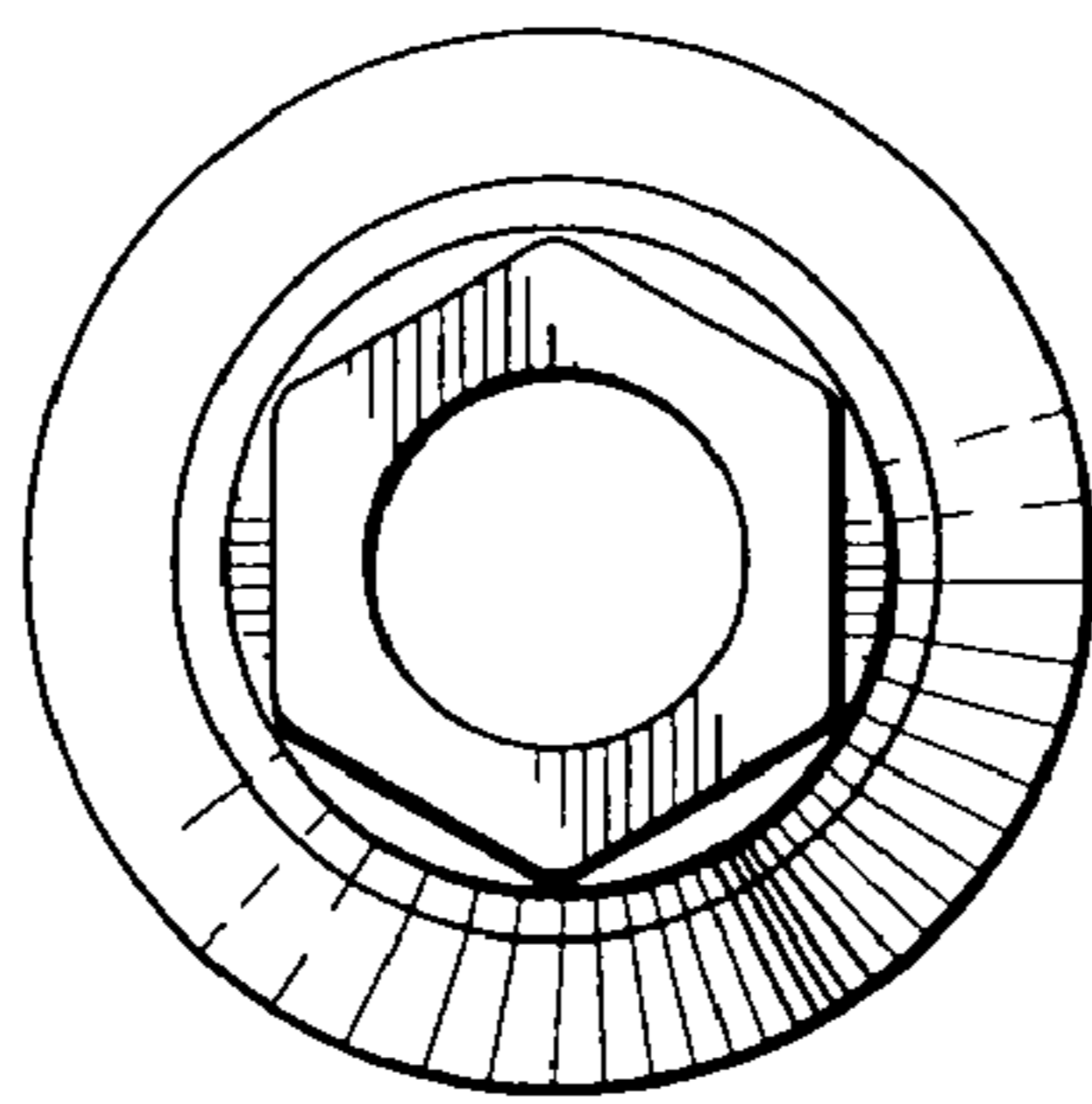


Fig. 2

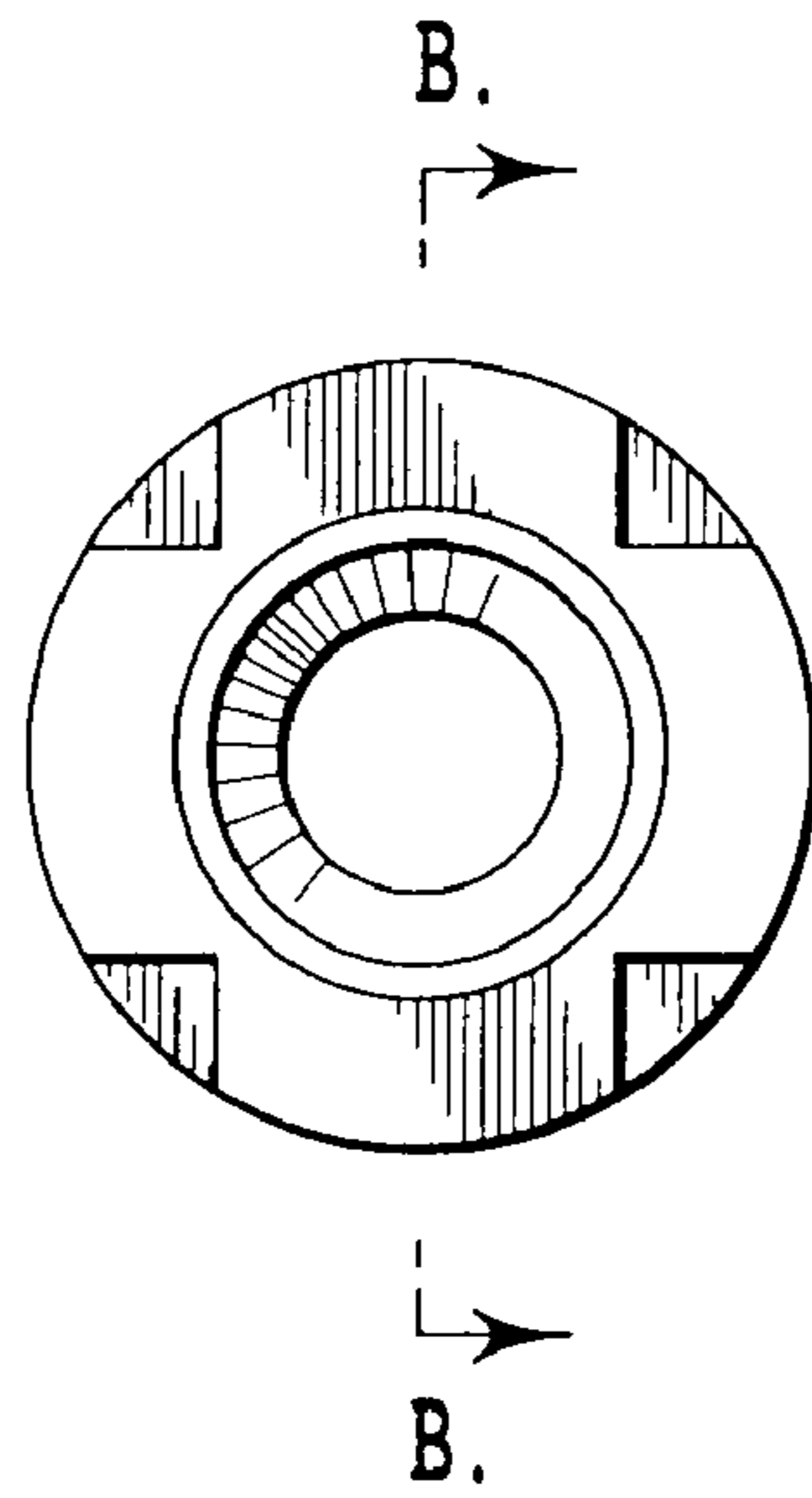


Fig. 3

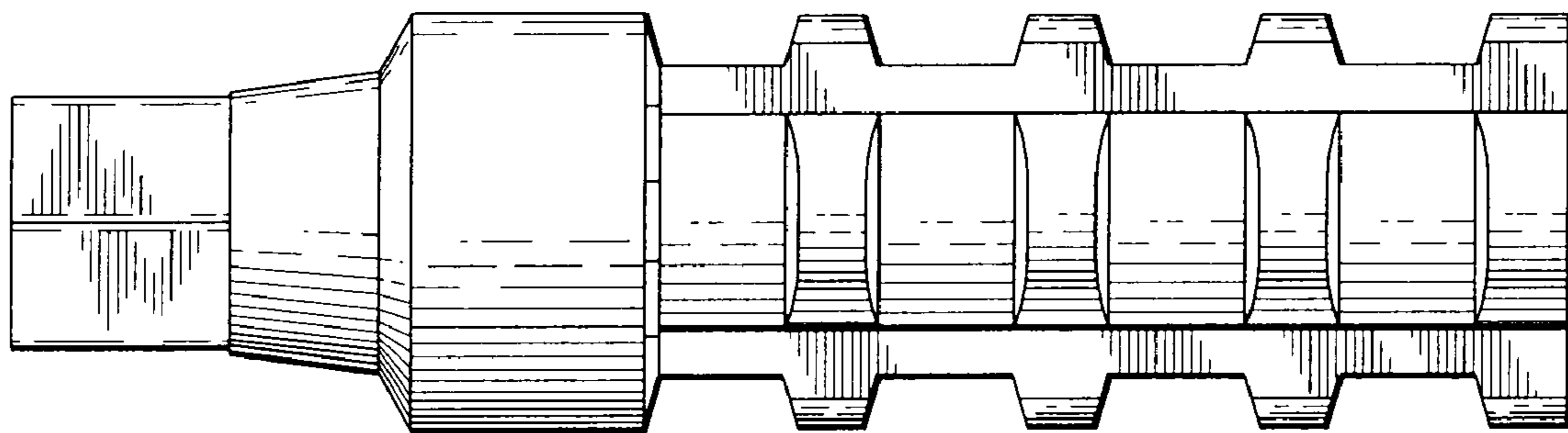


Fig. 4

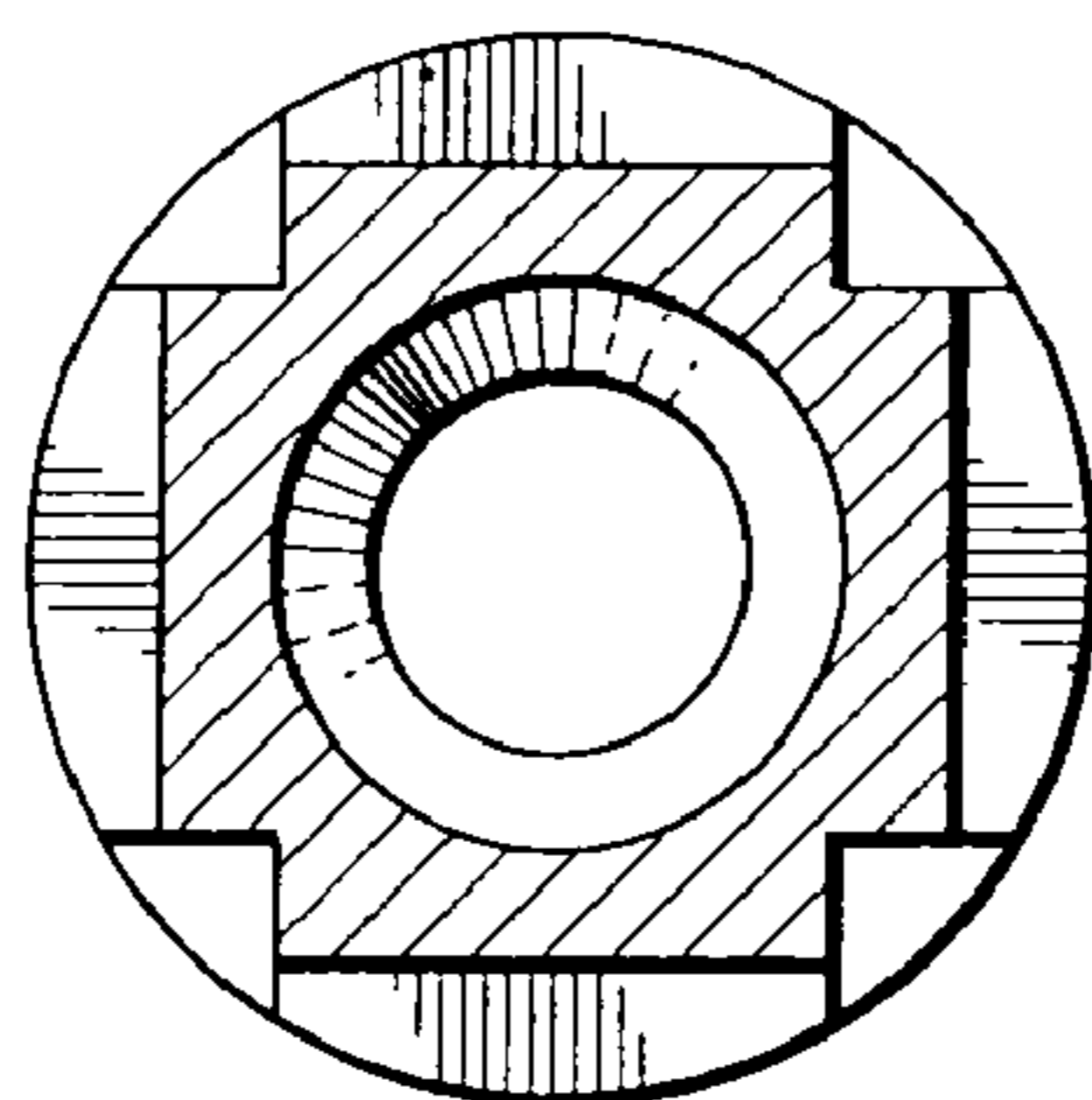


Fig. 5

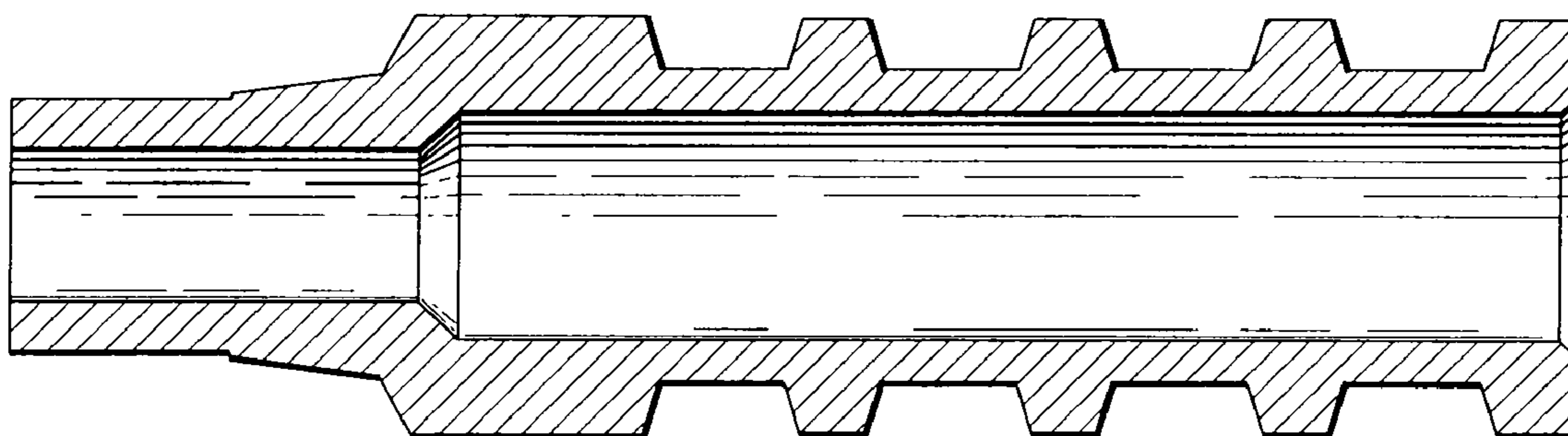


Fig. 6