



US00D604412S

(12) **United States Design Patent**  
**Kobayashi**

(10) **Patent No.:** **US D604,412 S**

(45) **Date of Patent:** **\*\* Nov. 17, 2009**

(54) **DENTAL HANDPIECE**

D483,568 S \* 12/2003 Jamson ..... D4/104  
D486,911 S \* 2/2004 Willat et al. .... D24/152

(75) Inventor: **Hiroshi Kobayashi**, Kanuma (JP)

\* cited by examiner

(73) Assignee: **Nakanishi Inc.**, Kanuma-shi (JP)

*Primary Examiner*—Charles A Rademaker

(\*\*) Term: **14 Years**

(74) *Attorney, Agent, or Firm*—Hahn & Voight PLLC; Jason D. Voight

(21) Appl. No.: **29/304,705**

(57) **CLAIM**

(22) Filed: **Mar. 6, 2008**

The ornamental design for a dental handpiece, as shown and described.

(30) **Foreign Application Priority Data**

Dec. 12, 2007 (JP) ..... 2007-034027

**DESCRIPTION**

(51) **LOC (9) Cl.** ..... **24-02**

FIG. 1 is a front elevation of a dental handpiece showing my new design;

(52) **U.S. Cl.** ..... **D24/152**

FIG. 2 is a rear elevation thereof;

(58) **Field of Classification Search** ..... D24/155,  
D24/156, 107, 176, 180, 181, 182, 152; 433/173,  
433/176, 49, 70, 168.1; D8/387, 388, 393;  
D29/108, 100; 128/859, 861, 862; 604/20;  
184/1.5

FIG. 3 is a right side elevation thereof with broken lines showing environmental structure that form no part of the claim;

See application file for complete search history.

FIG. 4 is a left side elevation thereof;

(56) **References Cited**

FIG. 5 is a top plan view thereof;

**U.S. PATENT DOCUMENTS**

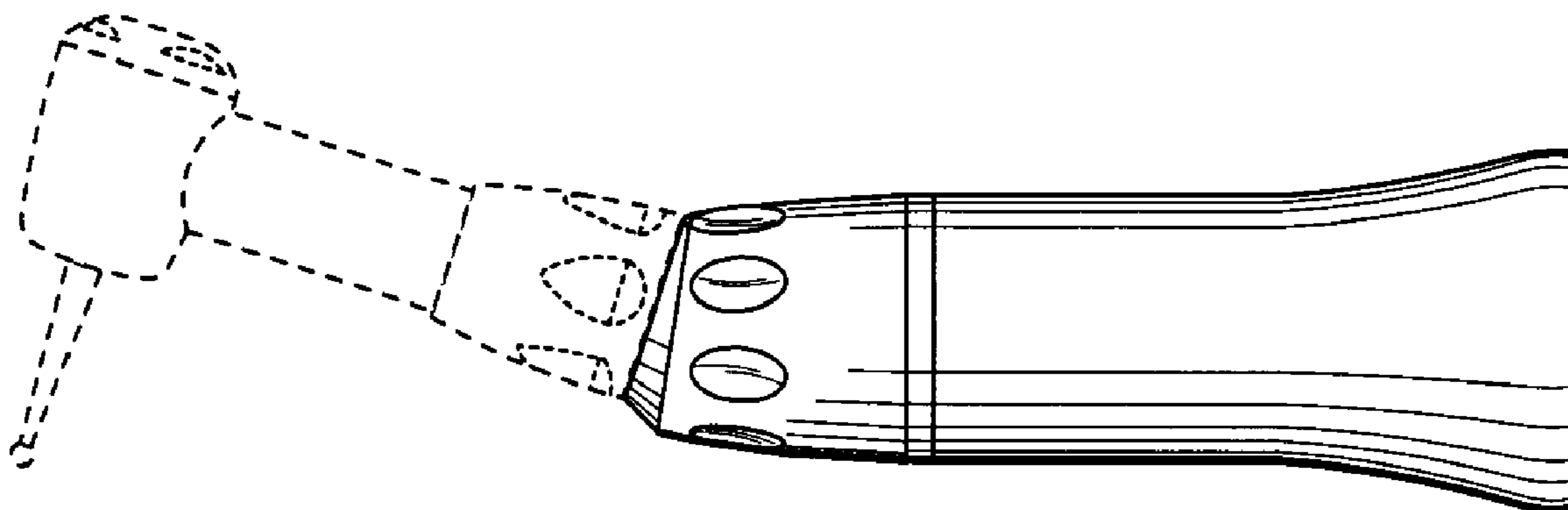
4,863,380 A \* 9/1989 Creed ..... 433/89  
D422,707 S \* 4/2000 Bock ..... D24/176  
D453,378 S \* 2/2002 Mangione ..... D24/152  
D459,476 S \* 6/2002 Mangione ..... D24/152  
D459,809 S \* 7/2002 Mangione ..... D24/152  
D467,660 S \* 12/2002 Cianciosi ..... D24/152

FIG. 6 is a bottom plan thereof;

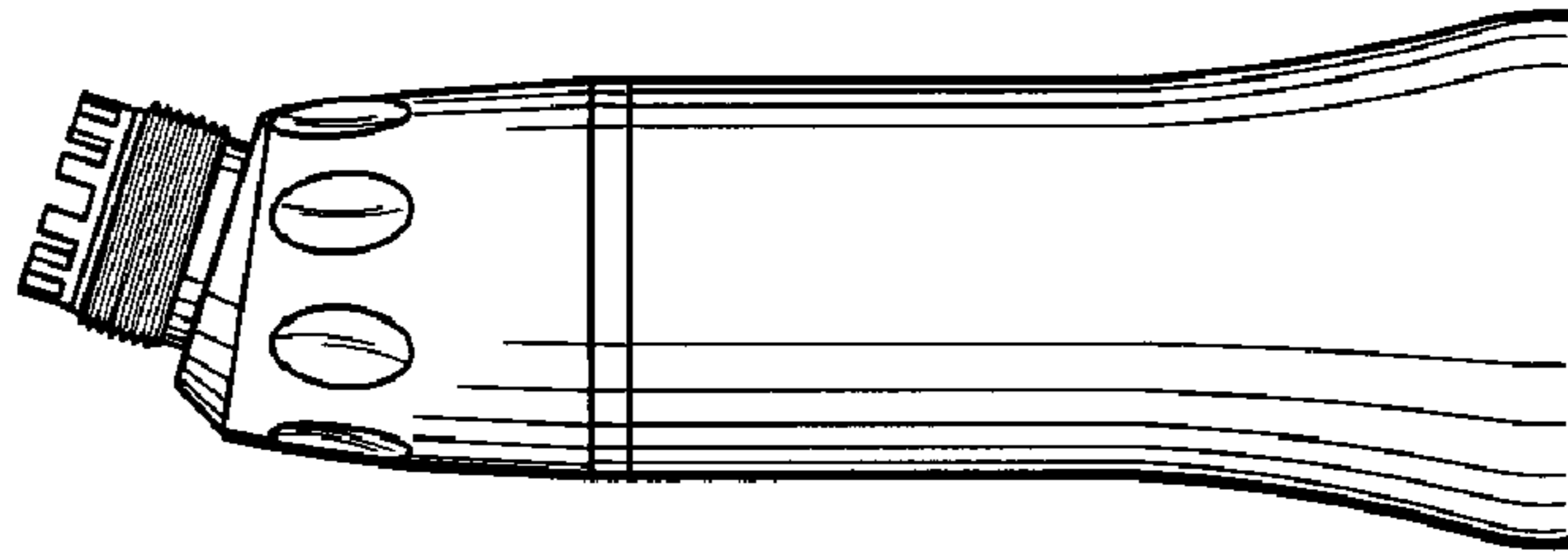
FIG. 7 is a rear perspective view thereof shown on a slightly reduced scale with broken lines showing environmental structure that form no part of the claim; and,

FIG. 8 is another side elevation thereof that includes broken lines to illustrate environment that forms no part of the claim.

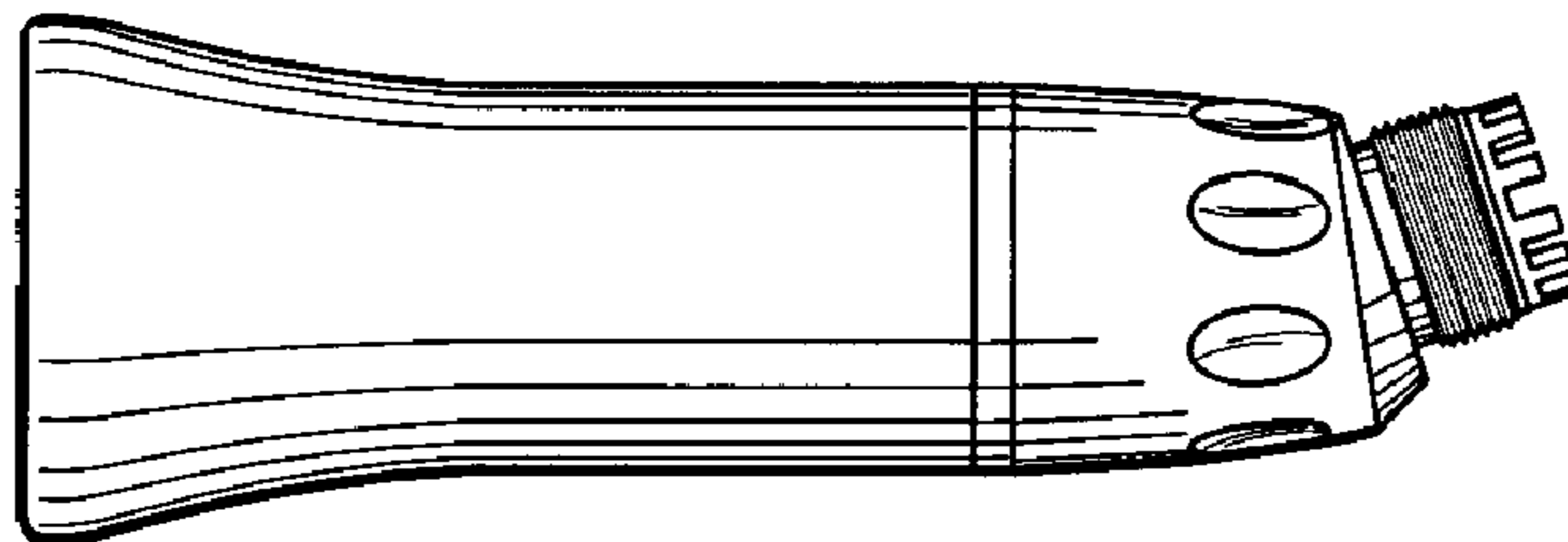
**1 Claim, 3 Drawing Sheets**



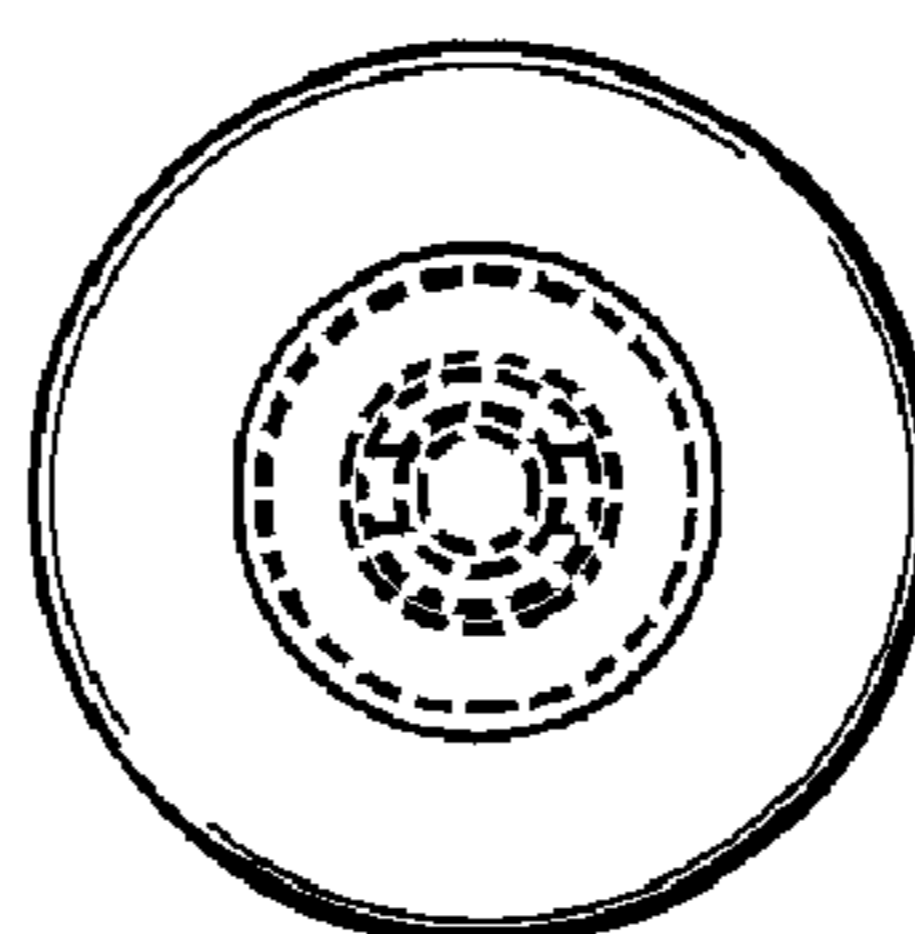
**FIG. 1**



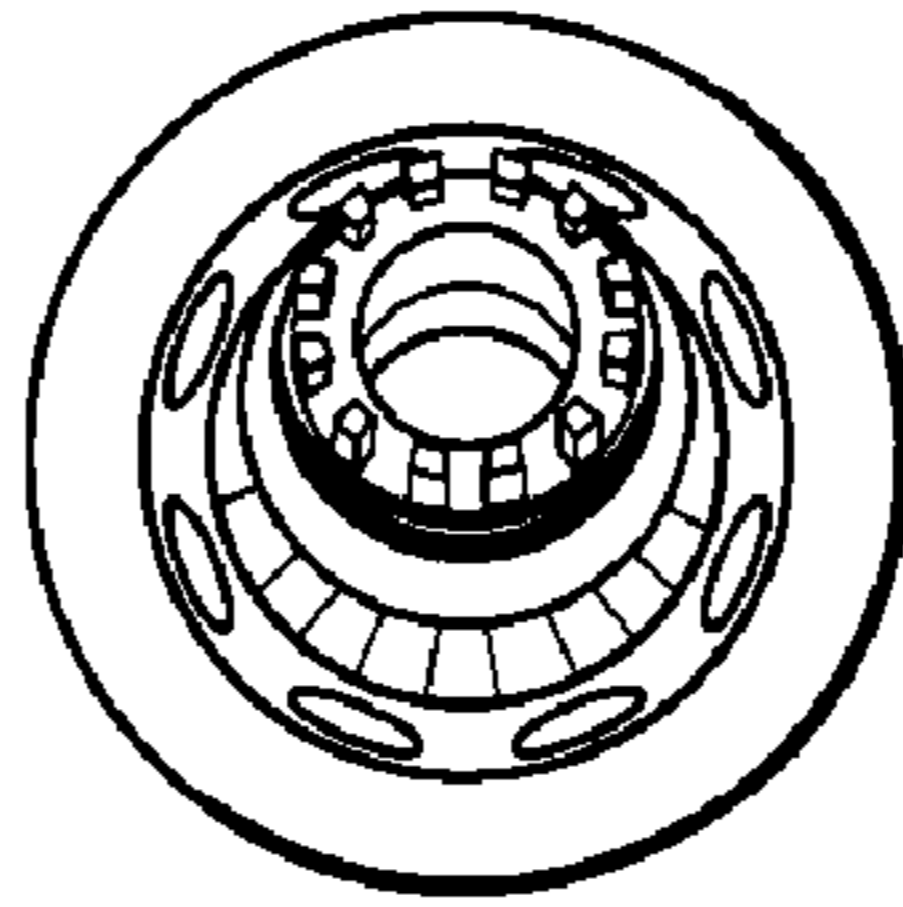
**FIG. 2**



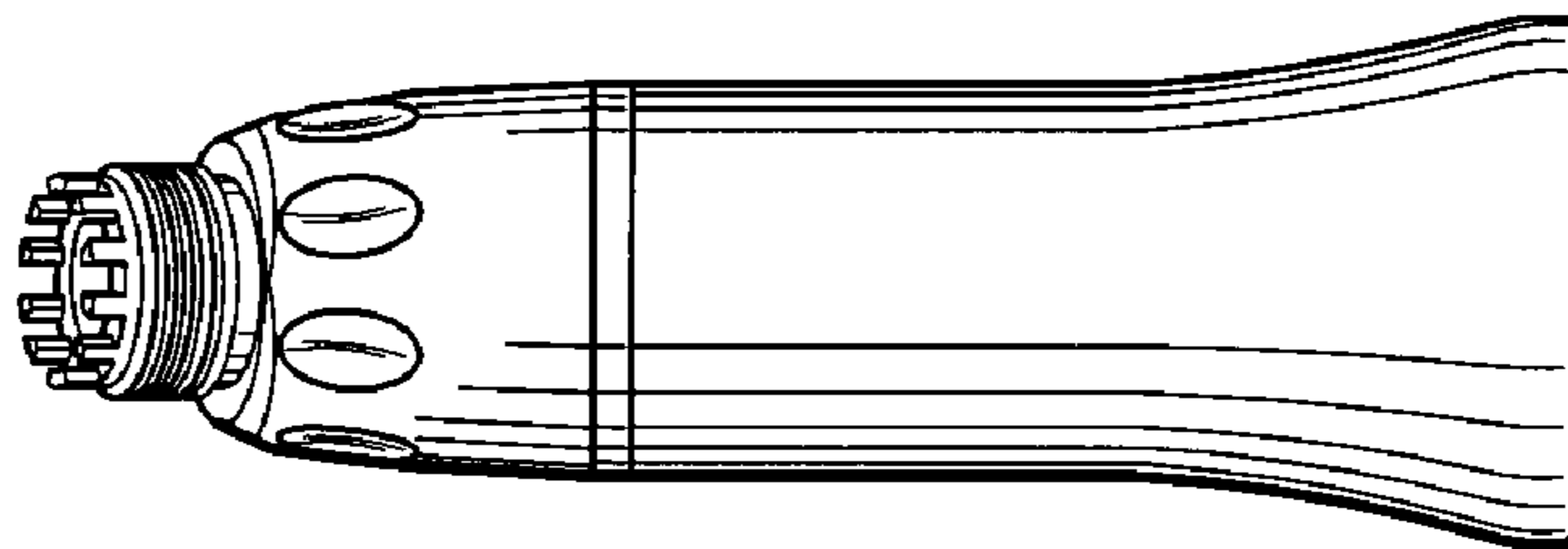
**FIG. 3**



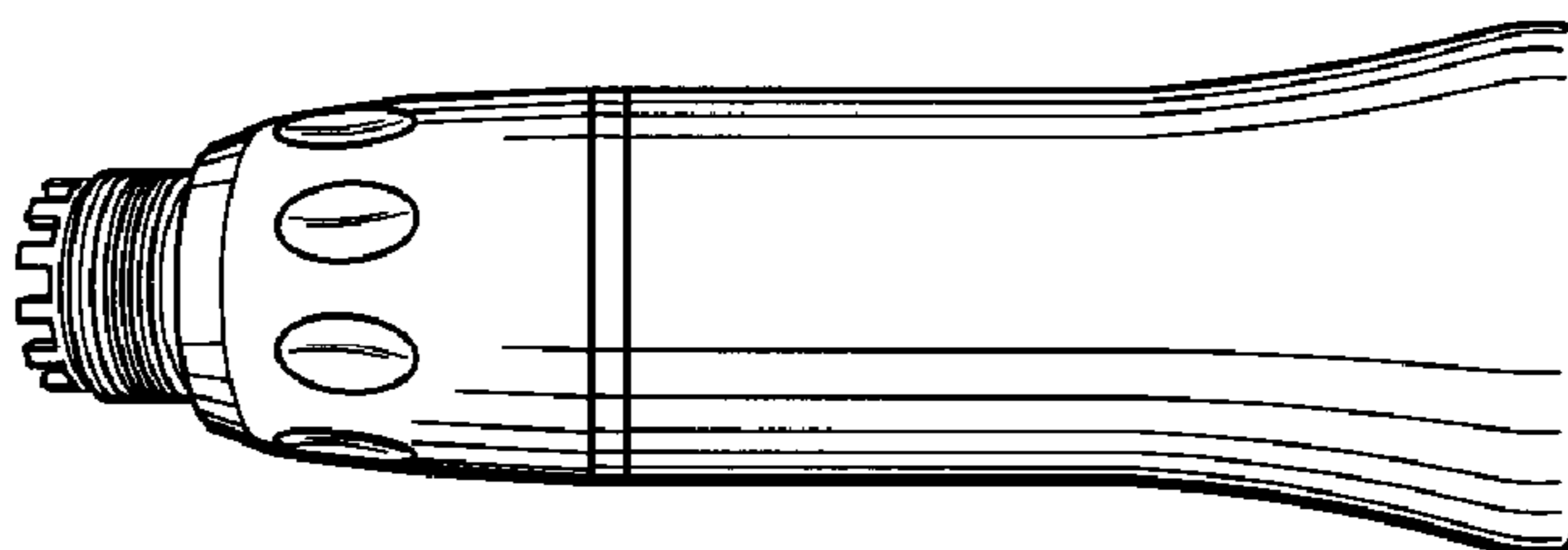
**FIG. 4**



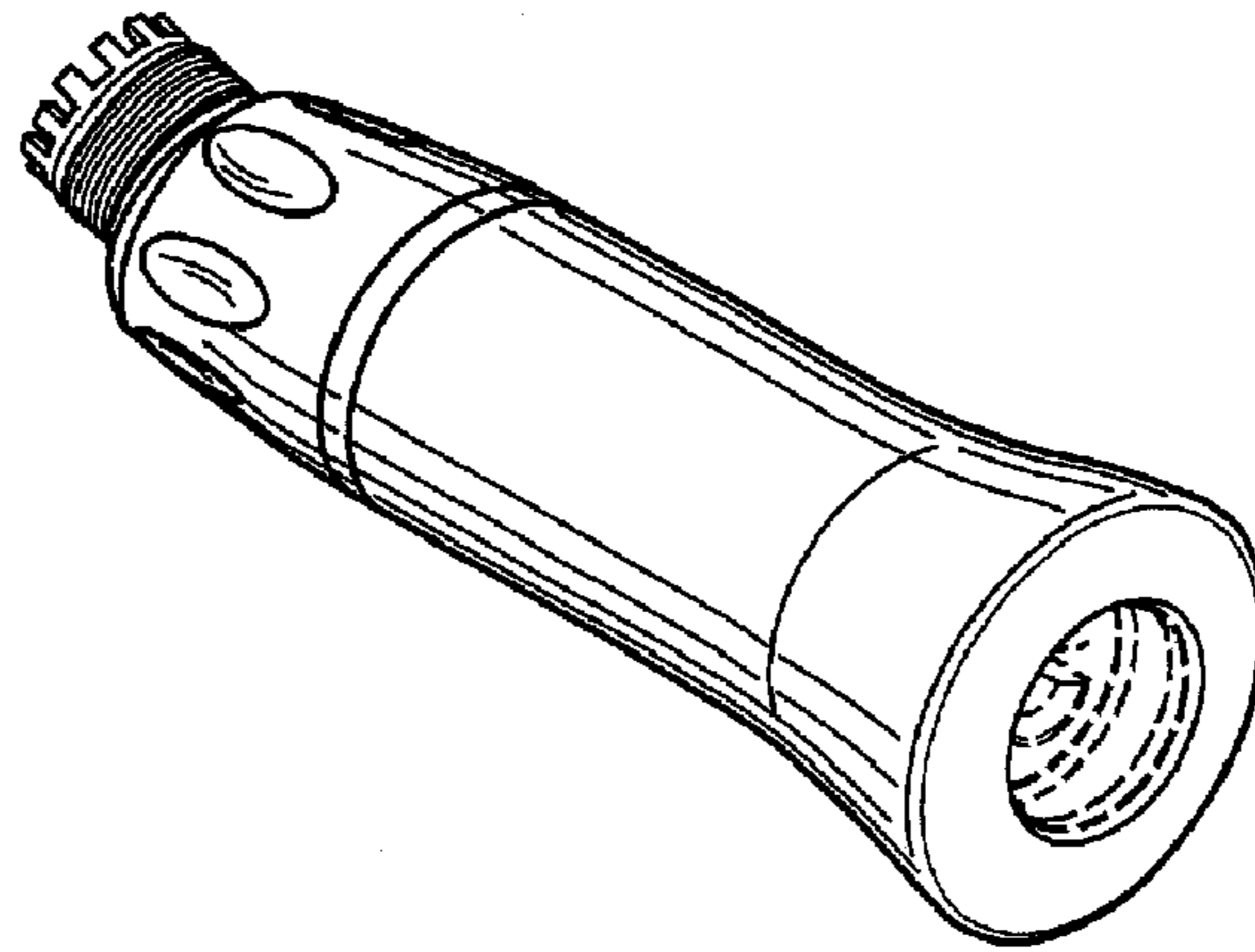
**FIG. 5**



**FIG. 6**



**FIG. 7**



**FIG. 8**

