



US00D604408S

(12) **United States Design Patent**  
**Searle**

(10) **Patent No.:** **US D604,408 S**

(45) **Date of Patent:** **\*\* Nov. 17, 2009**

(54) **FAN BLADE IRON**

(75) Inventor: **Scott Searle**, Maui, HI (US)

(73) Assignee: **Landmark Enterprise Inc.**, Bandar Seri Begawan (BN)

(\*\*) Term: **14 Years**

(21) Appl. No.: **29/335,426**

(22) Filed: **Apr. 15, 2009**

(51) **LOC (9) Cl.** ..... **23-04**

(52) **U.S. Cl.** ..... **D23/411**

(58) **Field of Classification Search** ..... D23/377,  
D23/379, 385, 411, 413; 416/5  
See application file for complete search history.

(56) **References Cited**

U.S. PATENT DOCUMENTS

D323,028 S *	1/1992	Holbrook	.....	D23/377
D435,900 S *	1/2001	Dye	.....	D23/411
D523,948 S *	6/2006	Young	.....	D23/411
D524,933 S *	7/2006	Young	.....	D23/411

\* cited by examiner

*Primary Examiner*—Lisa P Lichtenstein

(74) *Attorney, Agent, or Firm*—Ming Chow; Sinorica, LLC

(57) **CLAIM**

The ornamental design for a fan blade iron, as shown and described.

**DESCRIPTION**

FIG. 1 is a front perspective view of a fan blade iron showing my new design;

FIG. 2 is a front elevational view thereof;

FIG. 3 is a rear elevational view thereof.

FIG. 4 is a left side elevational view thereof;

FIG. 5 is a right side elevational view thereof;

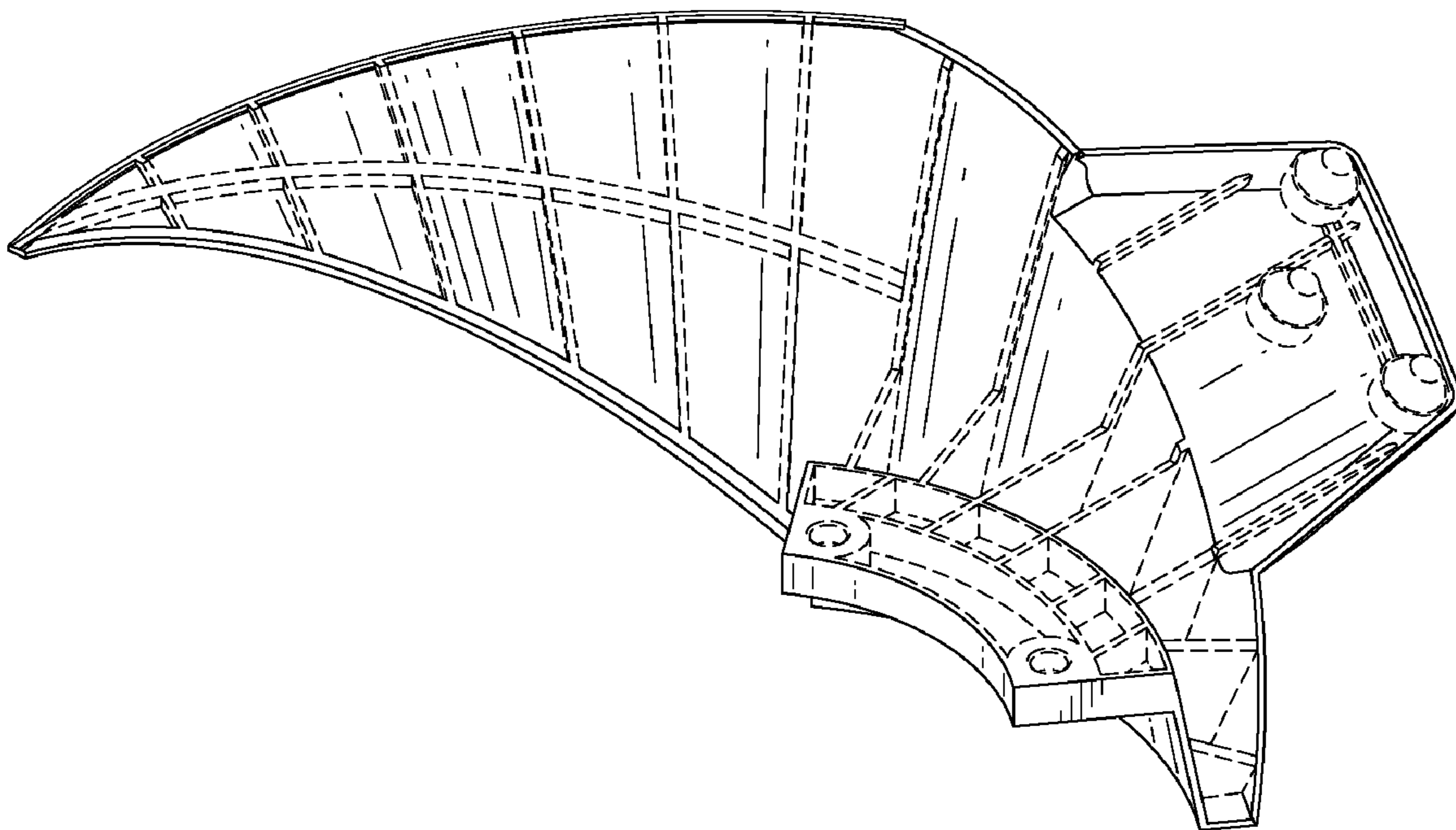
FIG. 6 is a top plan view thereof;

FIG. 7 is a bottom plan view thereof; and,

FIG. 8 is a rear perspective view thereof.

The broken line showing of portions of a fan blade iron is included for the purpose of illustrating environmental structure and forms no part of the claimed design.

**1 Claim, 6 Drawing Sheets**



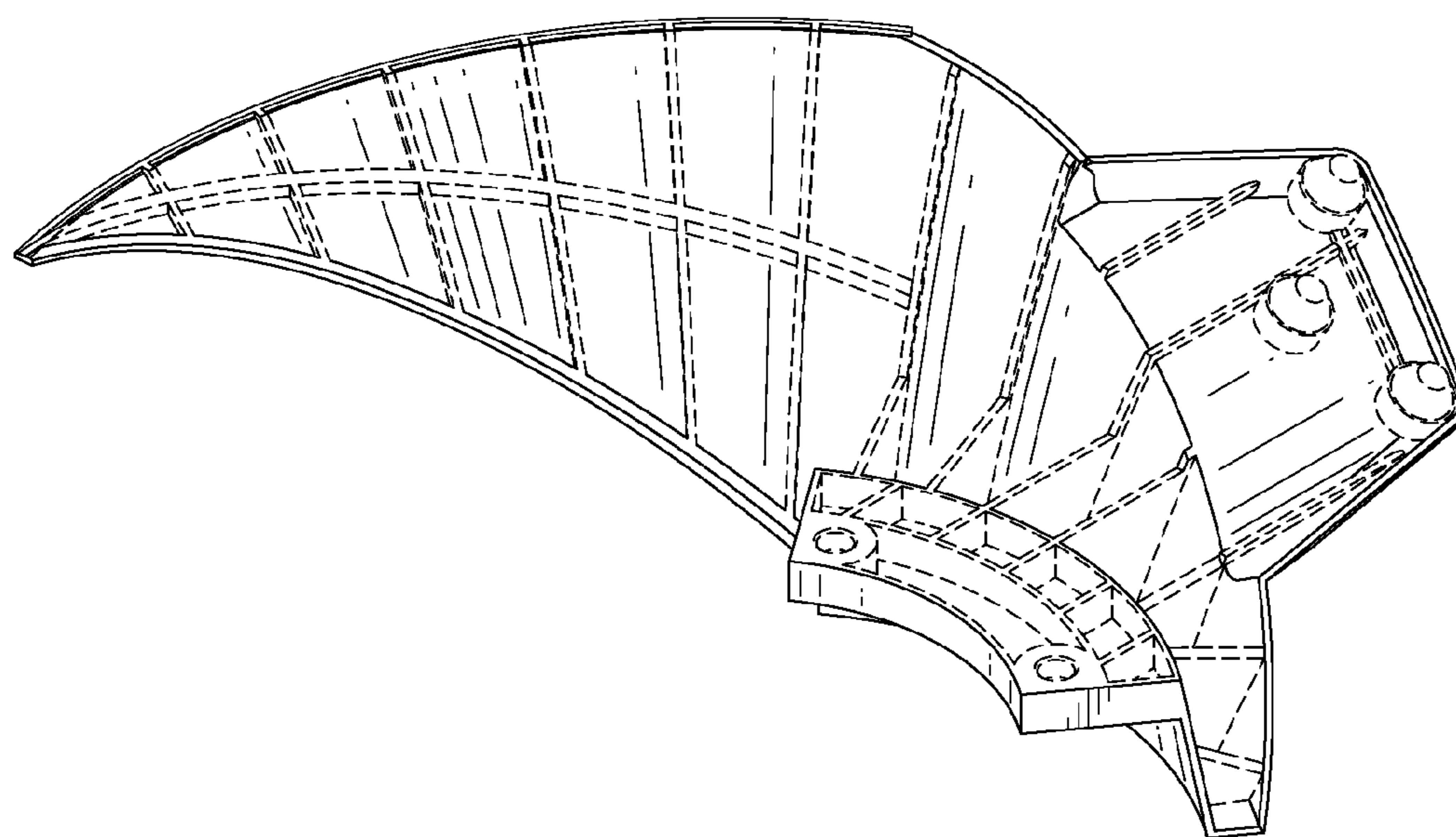


FIG. 1

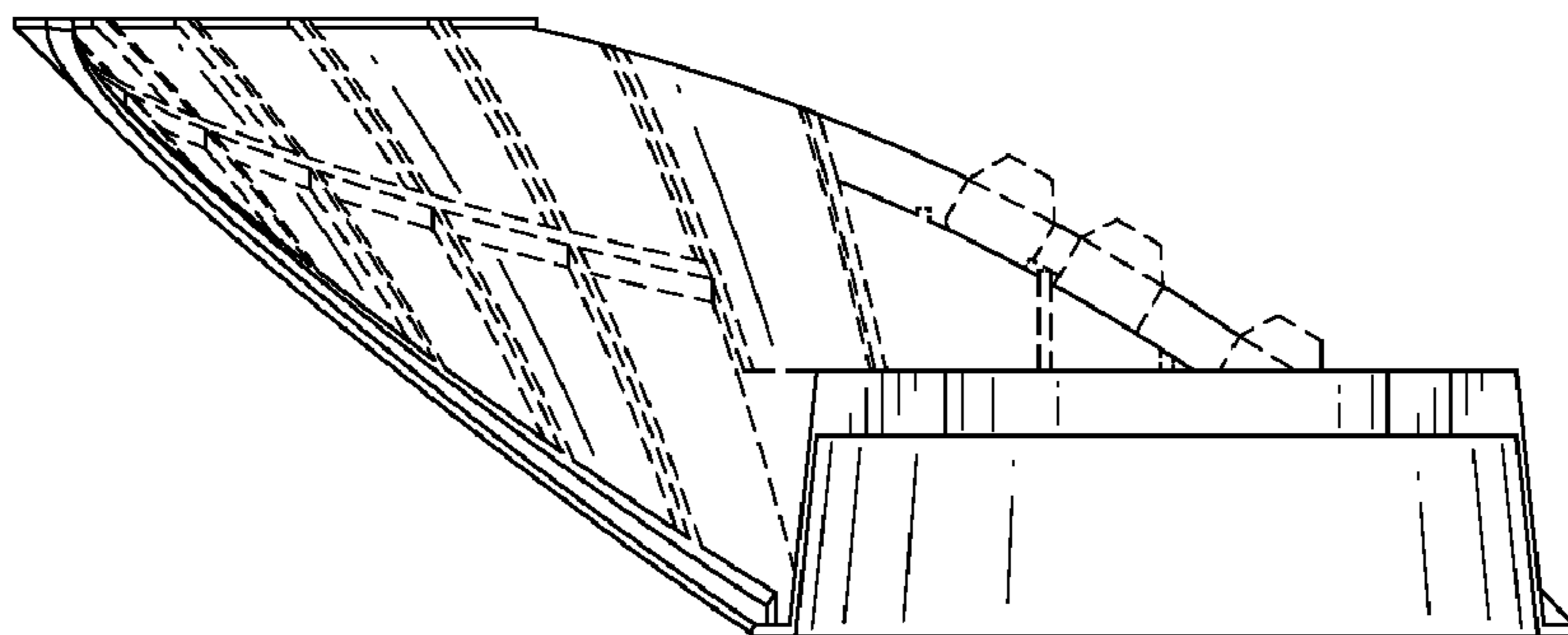


FIG. 2

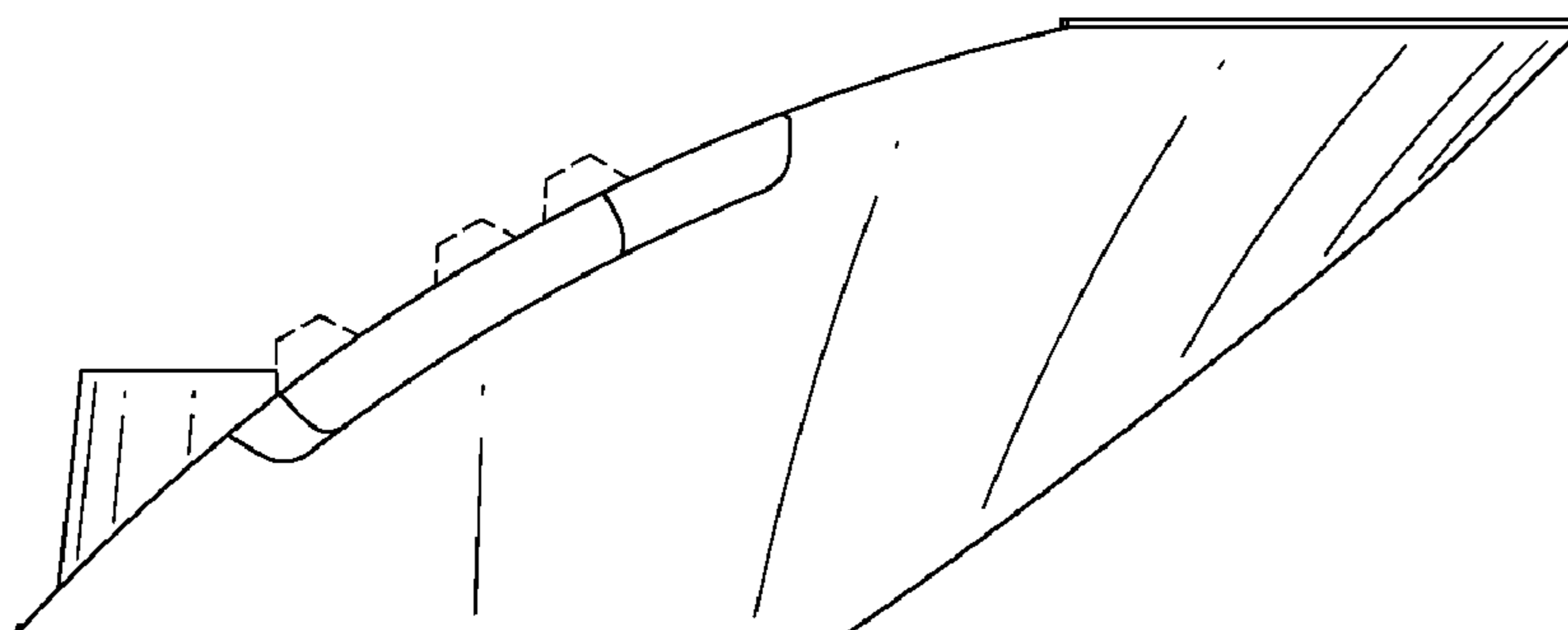


FIG. 3

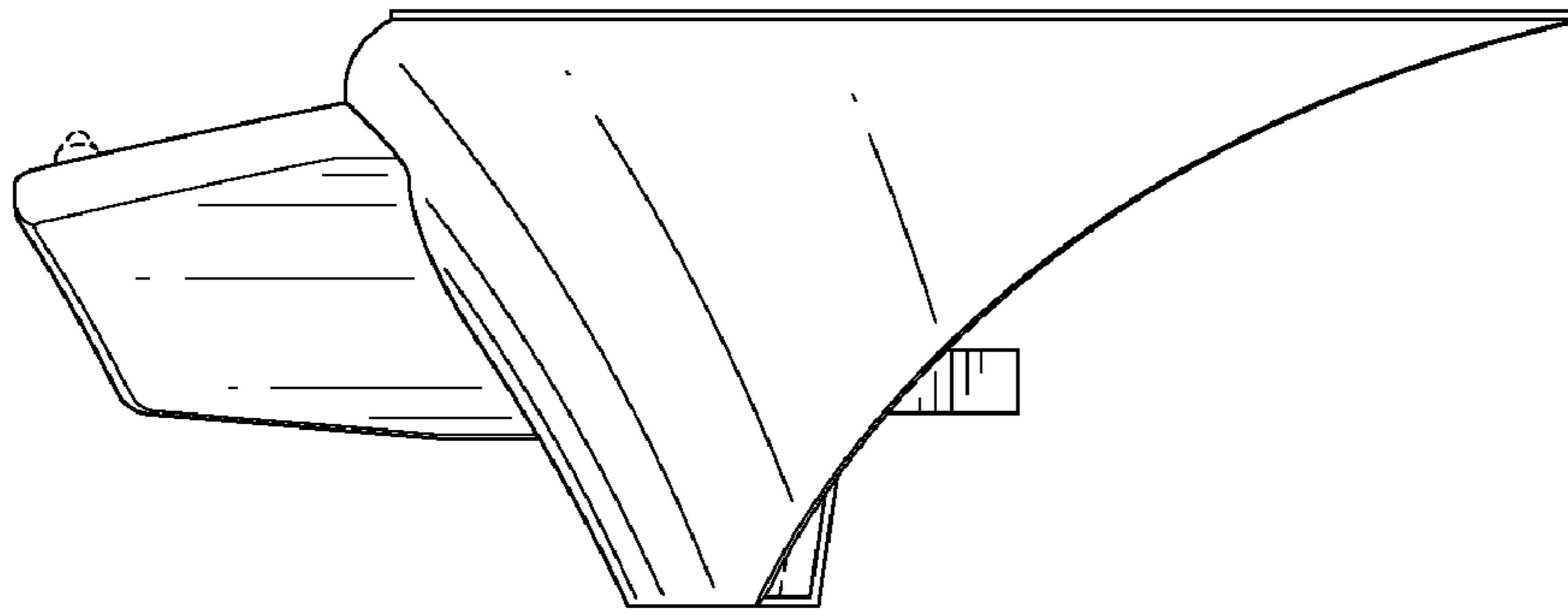


FIG. 4

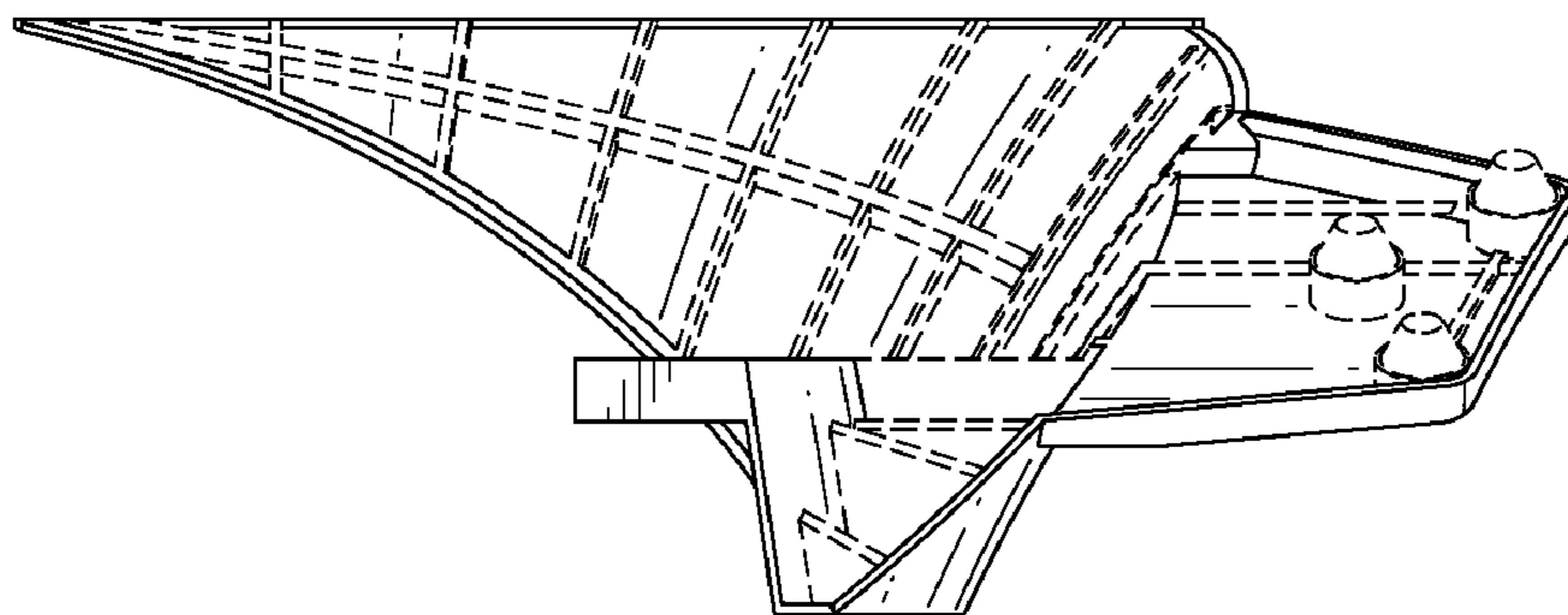


FIG. 5

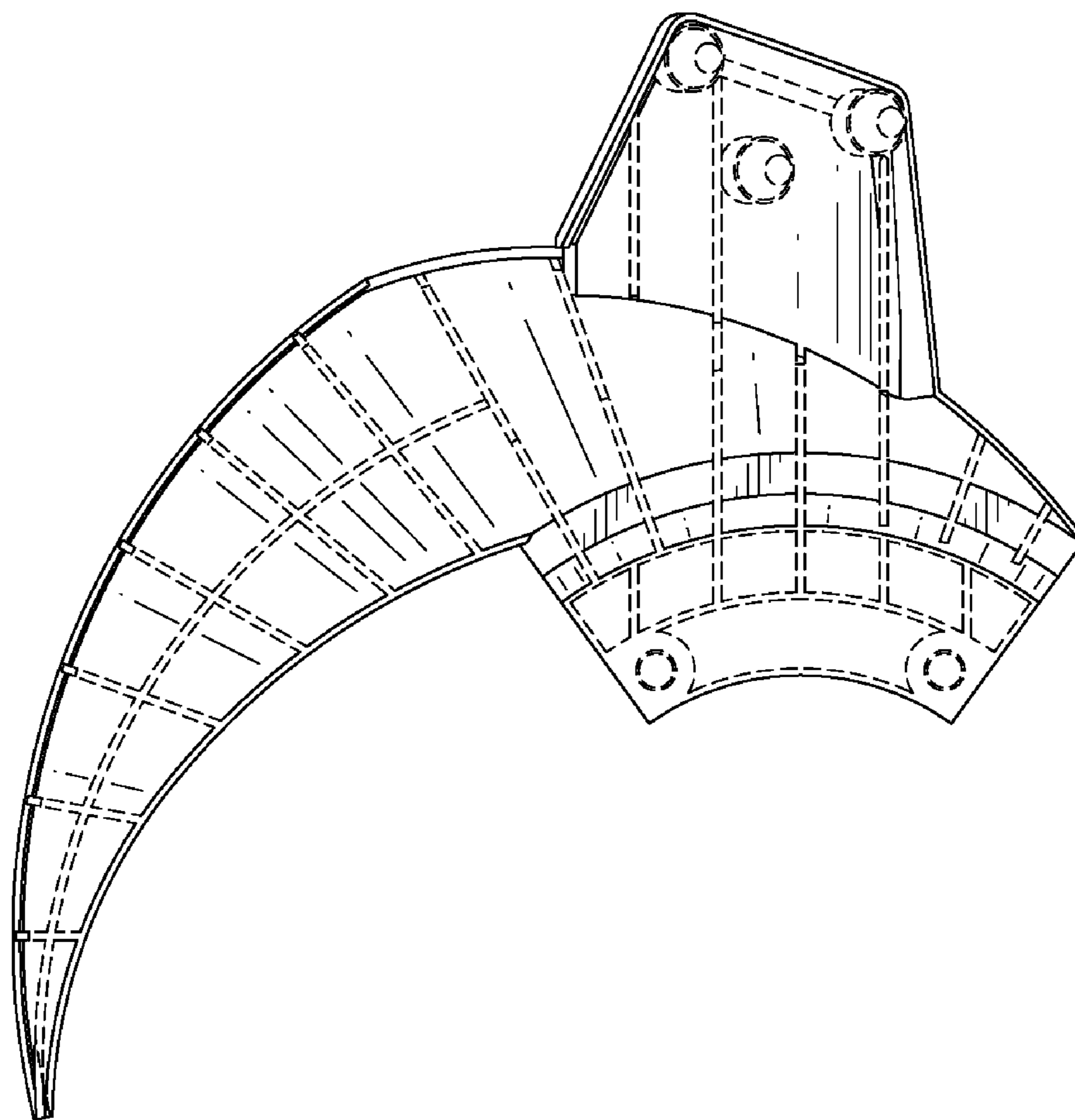


FIG. 6

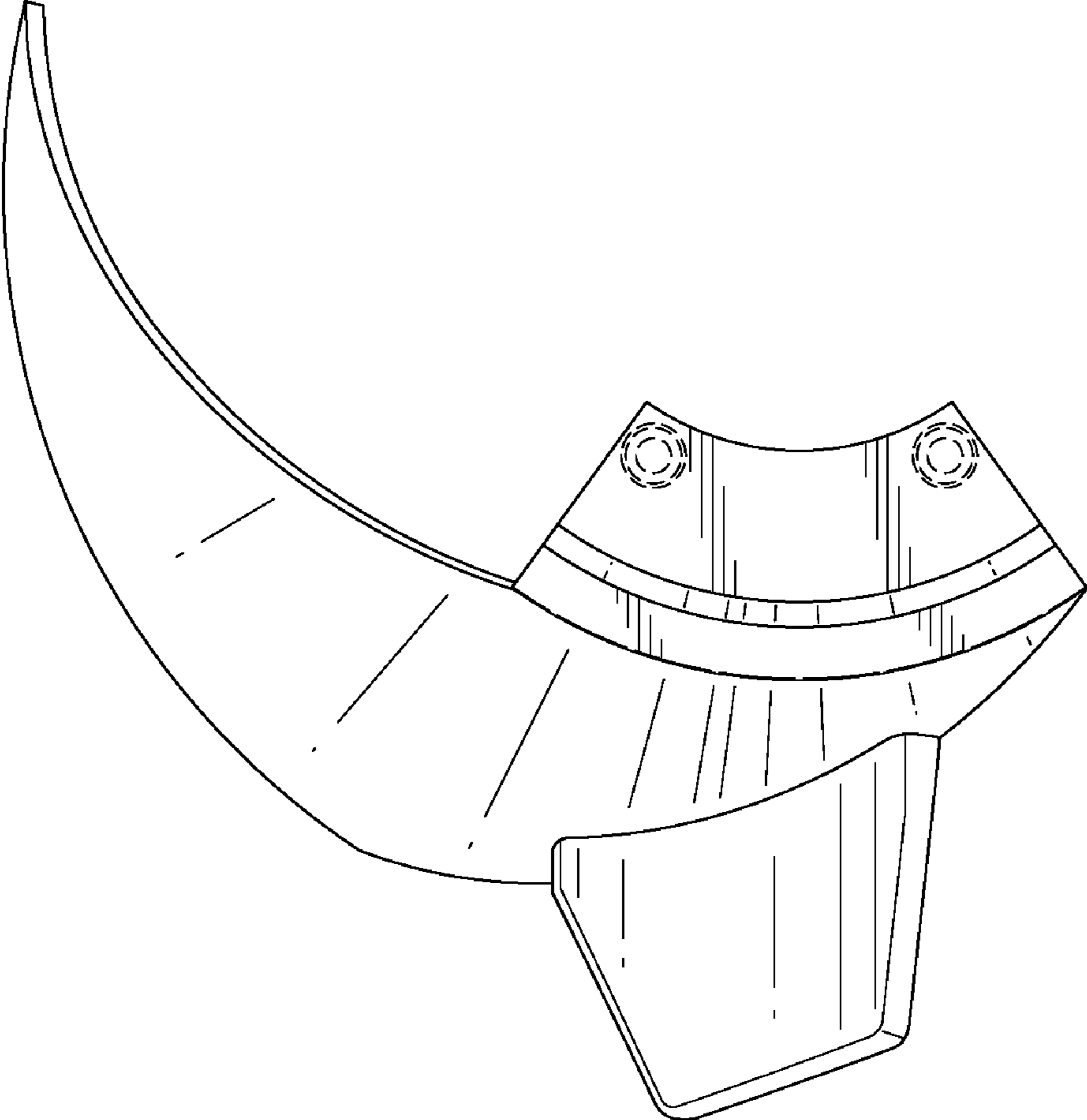


FIG. 7

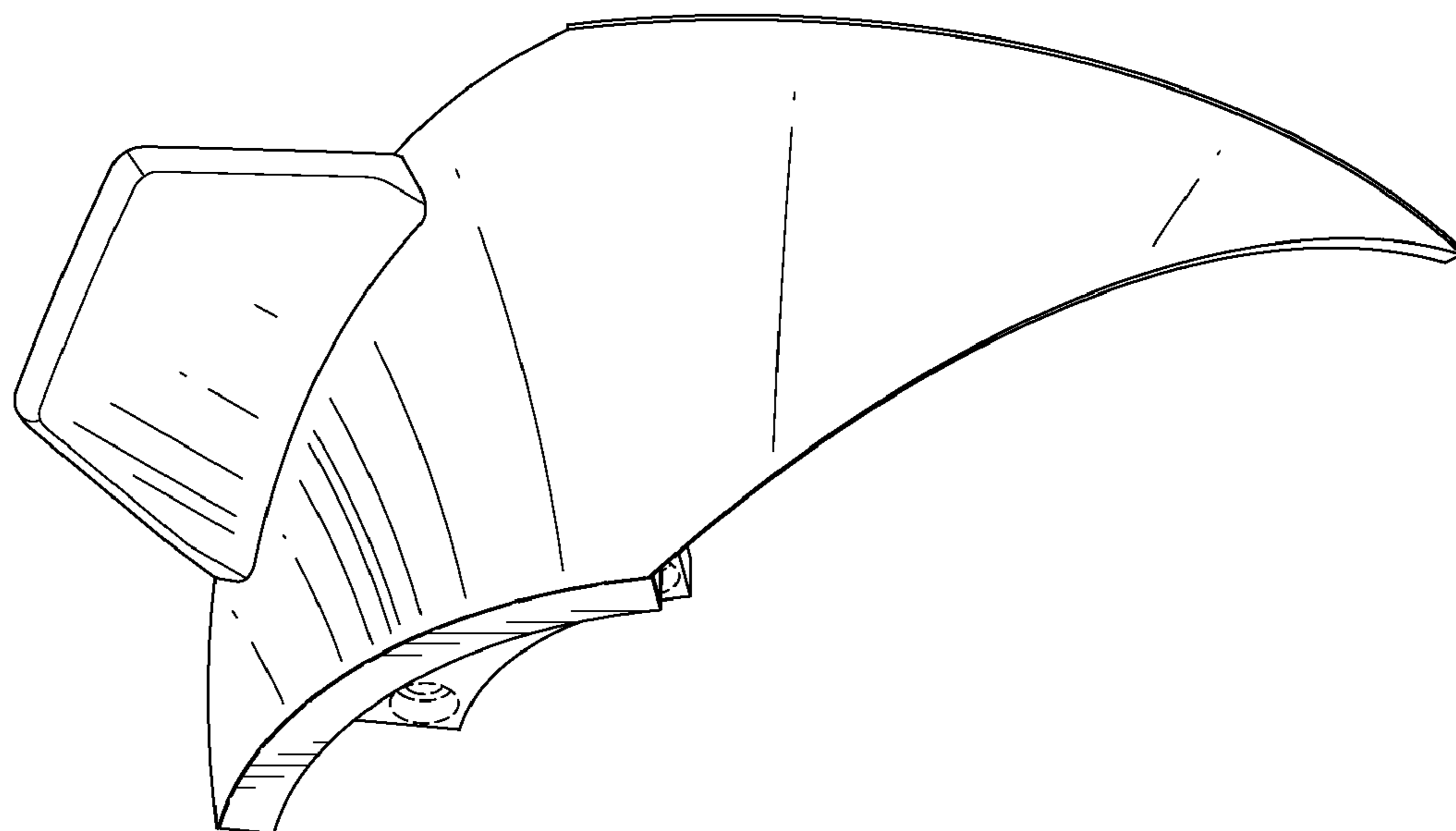


FIG. 8