



US00D604407S

(12) **United States Design Patent**  
**Patton**

(10) **Patent No.:** **US D604,407 S**

(45) **Date of Patent:** **\*\* Nov. 17, 2009**

(54) **CEILING FAN BLADE IRON**

D503,490 S 3/2005 Curtin

(75) Inventor: **David L Patton**, Lancaster, TX (US)

D503,824 S 4/2005 Curtin

(73) Assignee: **Craftmade International, Inc.**, Coppell, TX (US)

D503,992 S 4/2005 Curtin

D503,995 S 4/2005 Curtin

D507,050 S 7/2005 Curtin

(\*\*) Term: **14 Years**

(21) Appl. No.: **29/334,279**

(Continued)

(22) Filed: **Mar. 24, 2009**

**OTHER PUBLICATIONS**

(51) **LOC (9) Cl.** ..... **23-04**

Co-pending U.S. Appl. No. 29/334,430, filed Mar. 26, 2009 titled "Ceiling Fan Housing".

(52) **U.S. Cl.** ..... **D23/411**

(58) **Field of Classification Search** ..... D23/377,  
D23/379, 385, 411, 413; 416/5

(Continued)

See application file for complete search history.

*Primary Examiner*—Lisa P Lichtenstein

(74) *Attorney, Agent, or Firm*—Bracewell & Giuliani LLP

(56) **References Cited**

(57) **CLAIM**

**U.S. PATENT DOCUMENTS**

D428,986 S	8/2000	Dye
D430,931 S	9/2000	Dye
D434,491 S	11/2000	Nourse
D435,900 S	1/2001	Dye
D437,075 S	1/2001	Chen
D437,927 S	2/2001	Dye
D465,841 S	11/2002	Dye
D479,595 S	9/2003	Curtin
D479,596 S	9/2003	Curtin
D479,597 S	9/2003	Curtin
D479,873 S	9/2003	Curtin
D479,875 S	9/2003	Curtin
D480,129 S	9/2003	Curtin
D480,134 S	9/2003	Wilson
D480,465 S	10/2003	Wilson
D481,453 S	10/2003	Dye
D481,789 S	11/2003	Dye
D482,116 S	11/2003	Curtin
D491,261 S	6/2004	Curtin
D492,056 S	6/2004	Curtin
D498,019 S	11/2004	Dye
D499,829 S	12/2004	Curtin
D500,879 S	1/2005	Curtin
D501,059 S	1/2005	Curtin
D501,948 S	2/2005	Curtin

The ornamental design for a ceiling fan blade iron, as shown and described.

**DESCRIPTION**

FIG. 1 is a perspective view of the ceiling fan blade iron showing my new design;

FIG. 2 is a front elevational view thereof;

FIG. 3 is a rear elevational view thereof;

FIG. 4 is a right side elevational view thereof;

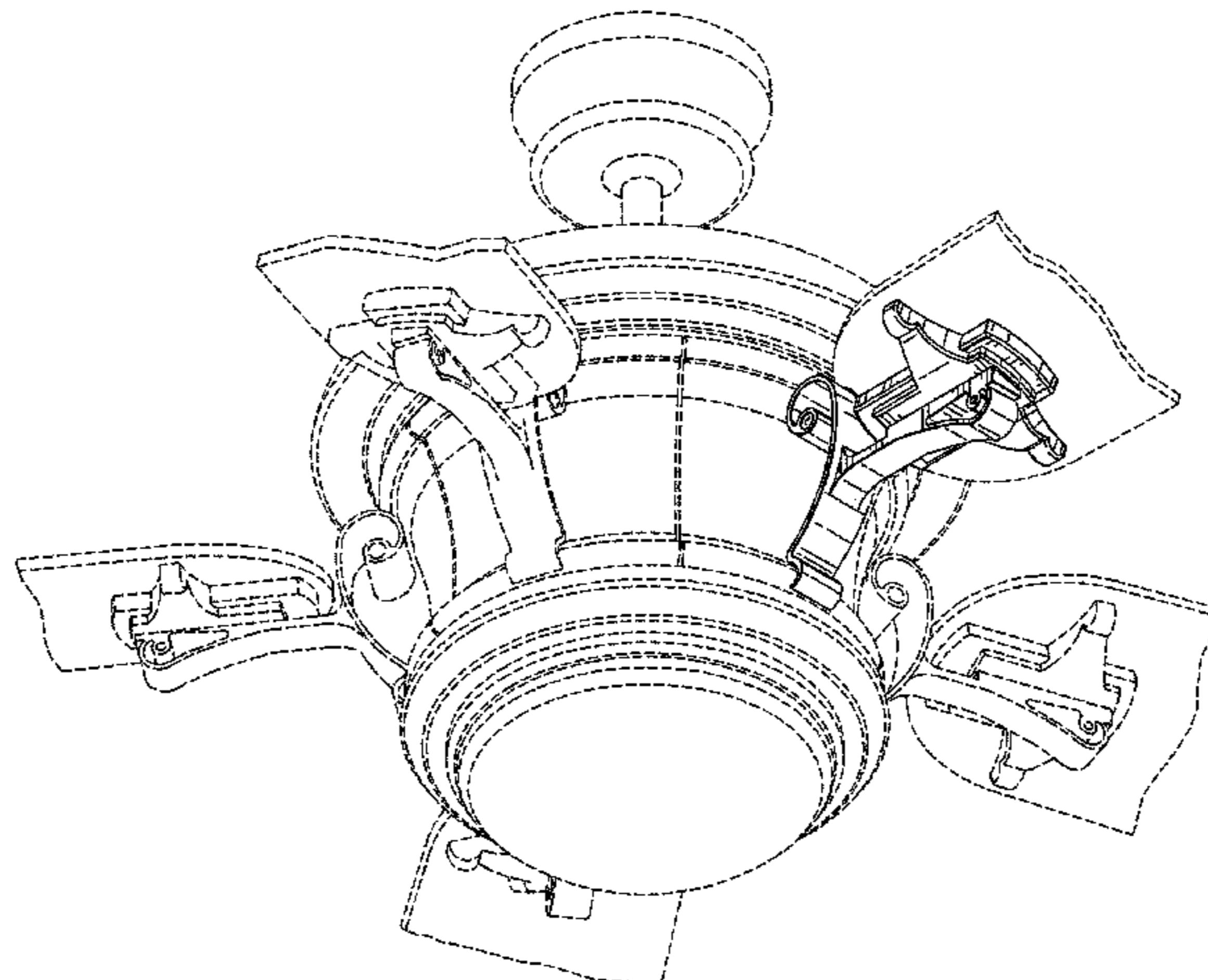
FIG. 5 is a left side elevational view thereof;

FIG. 6 is a top plan view thereof; and,

FIG. 7 is a bottom plan view thereof.

The broken lines depict environmental subject matter only and form no part of the claimed design.

**1 Claim, 4 Drawing Sheets**



U.S. PATENT DOCUMENTS

D508,125 S 8/2005 Curtin  
 D508,126 S 8/2005 Curtin  
 6,968,953 B2 11/2005 Humphrey  
 D514,242 S 1/2006 Curtin  
 D514,243 S 1/2006 Curtin  
 D514,244 S 1/2006 Curtin  
 D522,131 S 5/2006 Dye  
 D522,132 S 5/2006 Dye  
 D522,644 S 6/2006 Curtin  
 D523,949 S 6/2006 Curtin  
 D527,092 S 8/2006 Dye  
 D528,198 S 9/2006 Dye  
 D528,647 S 9/2006 Dye  
 D530,004 S 10/2006 Curtin  
 D532,101 S 11/2006 Curtin  
 D532,106 S 11/2006 Curtin  
 D536,438 S 2/2007 Curtin  
 D543,615 S \* 5/2007 Lee ..... D23/411  
 D544,132 S 6/2007 Curtin  
 D544,597 S \* 6/2007 Ertze ..... D23/411  
 D548,874 S 8/2007 Curtin  
 D549,381 S 8/2007 Curtin  
 D551,382 S 9/2007 Curtin  
 D551,755 S \* 9/2007 Shurtleff ..... D23/411  
 D553,285 S 10/2007 Curtin  
 D553,785 S 10/2007 Dye  
 D553,786 S 10/2007 Dye  
 D556,318 S 11/2007 Curtin  
 D556,887 S 12/2007 Curtin  
 D556,888 S 12/2007 Curtin  
 D556,889 S 12/2007 Curtin  
 D556,890 S 12/2007 Brookins  
 D556,891 S 12/2007 Brookins  
 D556,944 S 12/2007 Brookins  
 D557,400 S 12/2007 Curtin  
 D557,793 S 12/2007 Curtin  
 D557,794 S 12/2007 Curtin  
 D563,033 S 2/2008 Brookins  
 D563,034 S 2/2008 Curtin

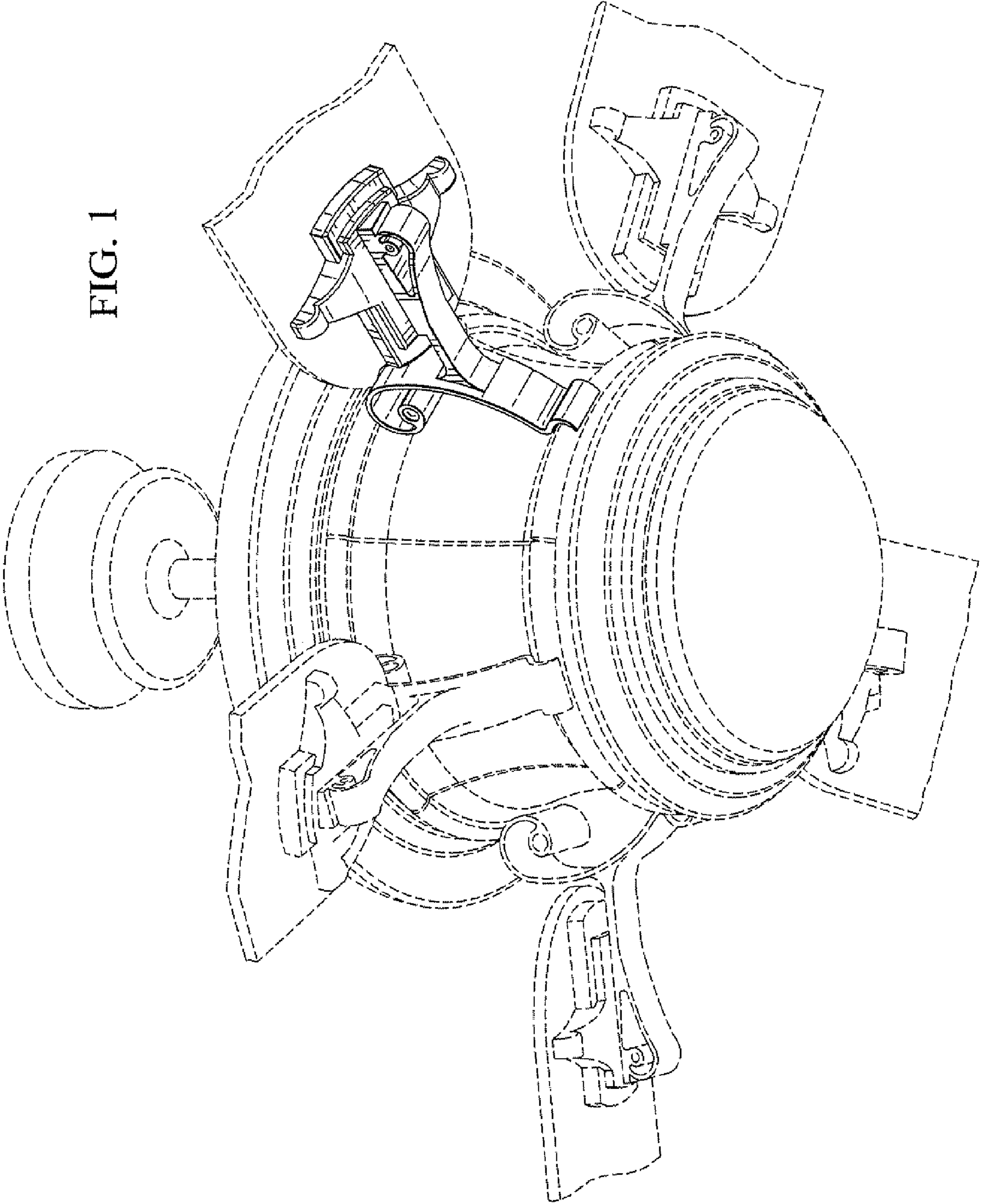
D563,592 S 3/2008 Brookins  
 D567,357 S 4/2008 Curtin  
 D567,358 S 4/2008 Curtin  
 D567,359 S 4/2008 Teiber  
 D567,360 S 4/2008 Curtin  
 D571,909 S 6/2008 Curtin  
 D573,246 S 7/2008 Teiber  
 D584,397 S 1/2009 Curtin  
 D585,974 S 2/2009 Curtin

OTHER PUBLICATIONS

Co-pending U.S. Appl. No. 29/334,426, filed Mar. 26, 2009 titled "Light Fixture".  
 Co-pending U.S. Appl. No. 29/334,316, filed Mar. 24, 2009 titled "Ceiling Fan Housing".  
 Co-pending U.S. Appl. No. 29/334,309, filed Mar. 24, 2009 titled "Ceiling Fan Blade Iron".  
 Co-pending U.S. Appl. No. 29/334,304, filed Mar. 24, 2009 titled "Ceiling Fan Housing".  
 Co-pending U.S. Appl. No. 29/334,299, filed Mar. 24, 2009 titled "Ceiling Fan Blade Iron".  
 Co-pending U.S. Appl. No. 29/334,297, filed Mar. 24, 2009 titled "Combination Ceiling Fan Housing and Blade Irons".  
 Co-pending U.S. Appl. No. 29/334,291, filed Mar. 24, 2009 titled "Ceiling Fan Blade Iron".  
 Co-pending U.S. Appl. No. 29/334,284, filed Mar. 24, 2009 titled "Ceiling Fan Housing".  
 Co-pending U.S. Appl. No. 29/334,283, filed Mar. 24, 2009 titled "Ceiling Fan Housing".  
 Co-pending U.S. Appl. No. 29/334,413, filed Mar. 26, 2009 titled "Ceiling Fan Blade Iron".  
 Co-pending U.S. Appl. No. 29/334,236, filed Mar. 23, 2009 titled "Ceiling Fan Housing".  
 Co-pending U.S. Appl. No. 29/263,485, filed Jul. 24, 2006 titled "Fixture Support Member".  
 Co-pending U.S. Appl. No. 12/004,725, filed Dec. 21, 2007 titled "Light Fixture and Sleeve Candlestick Adapter".  
 Co-pending U.S. Appl. No. 11/472,154, filed Jun. 21, 2006 titled "Fixture Support Member Assembly".

\* cited by examiner

FIG. 1



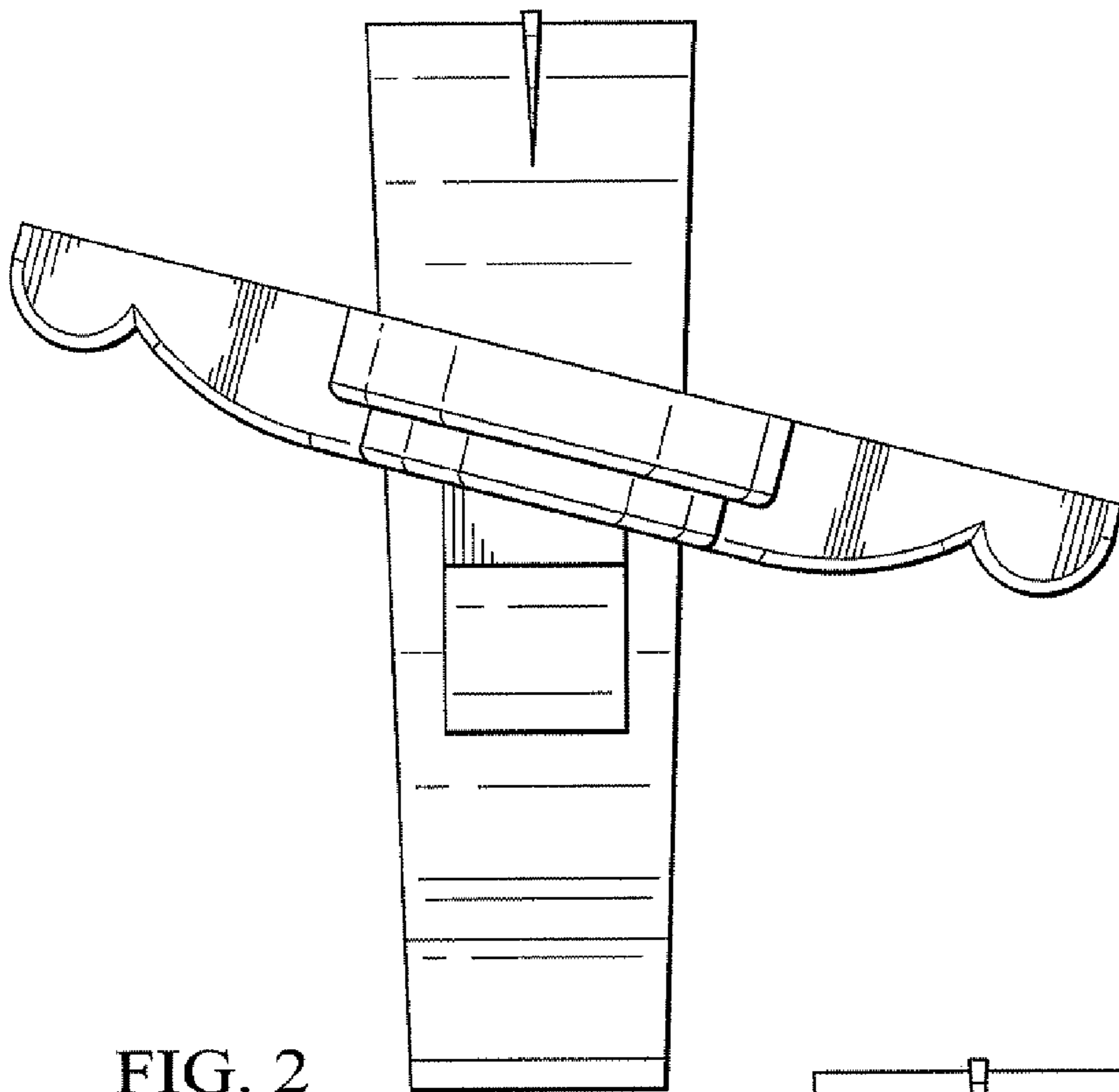


FIG. 2

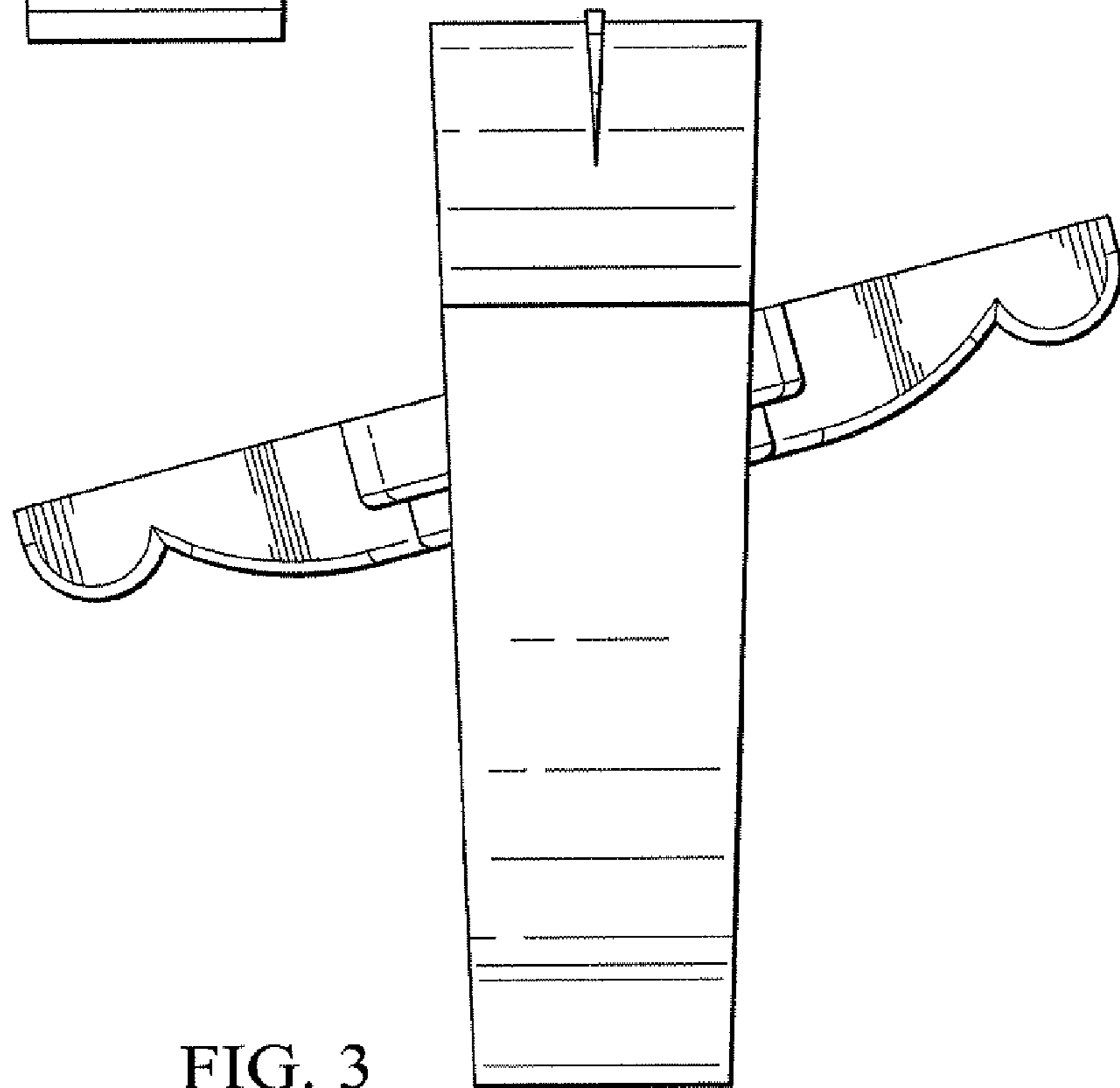


FIG. 3

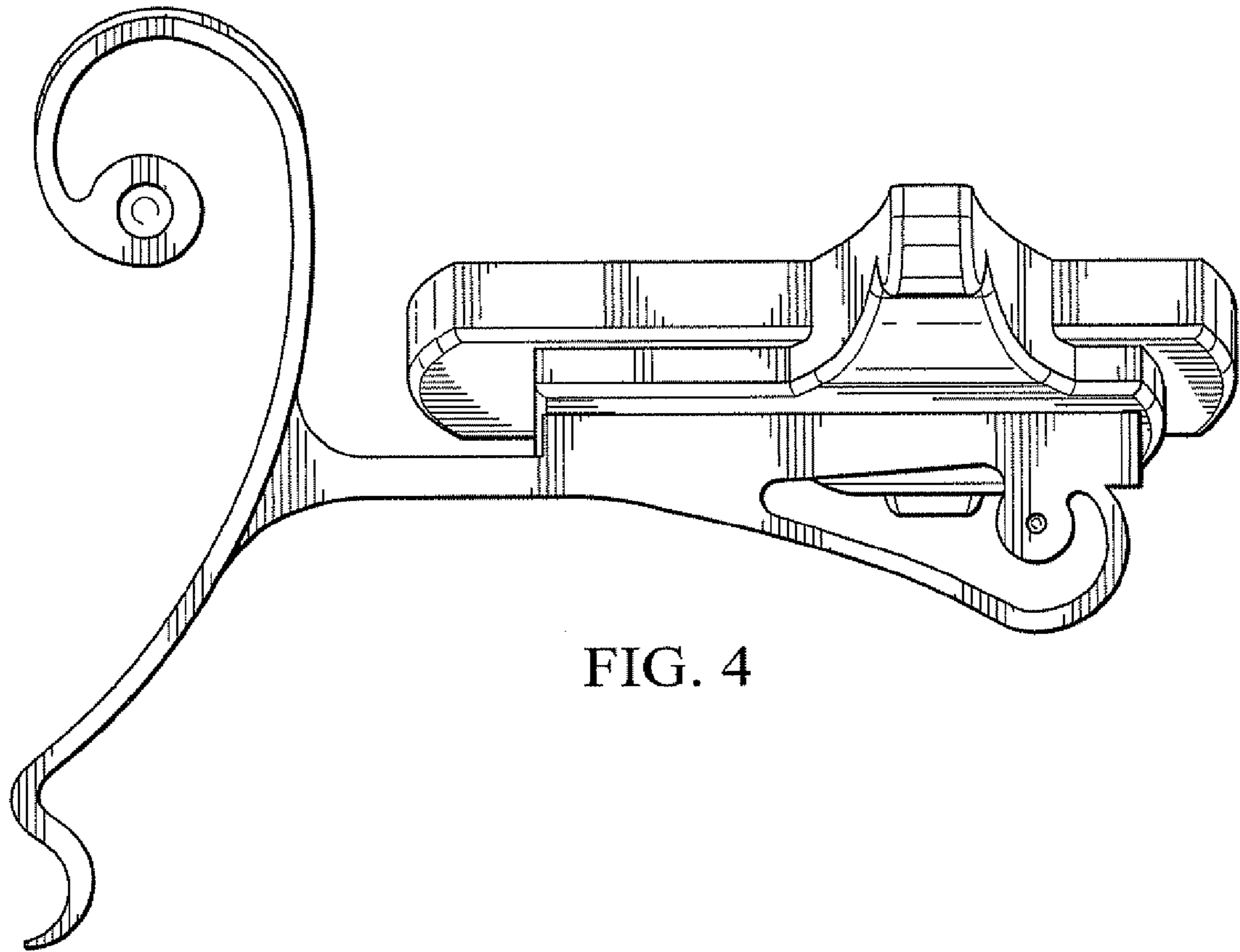


FIG. 4

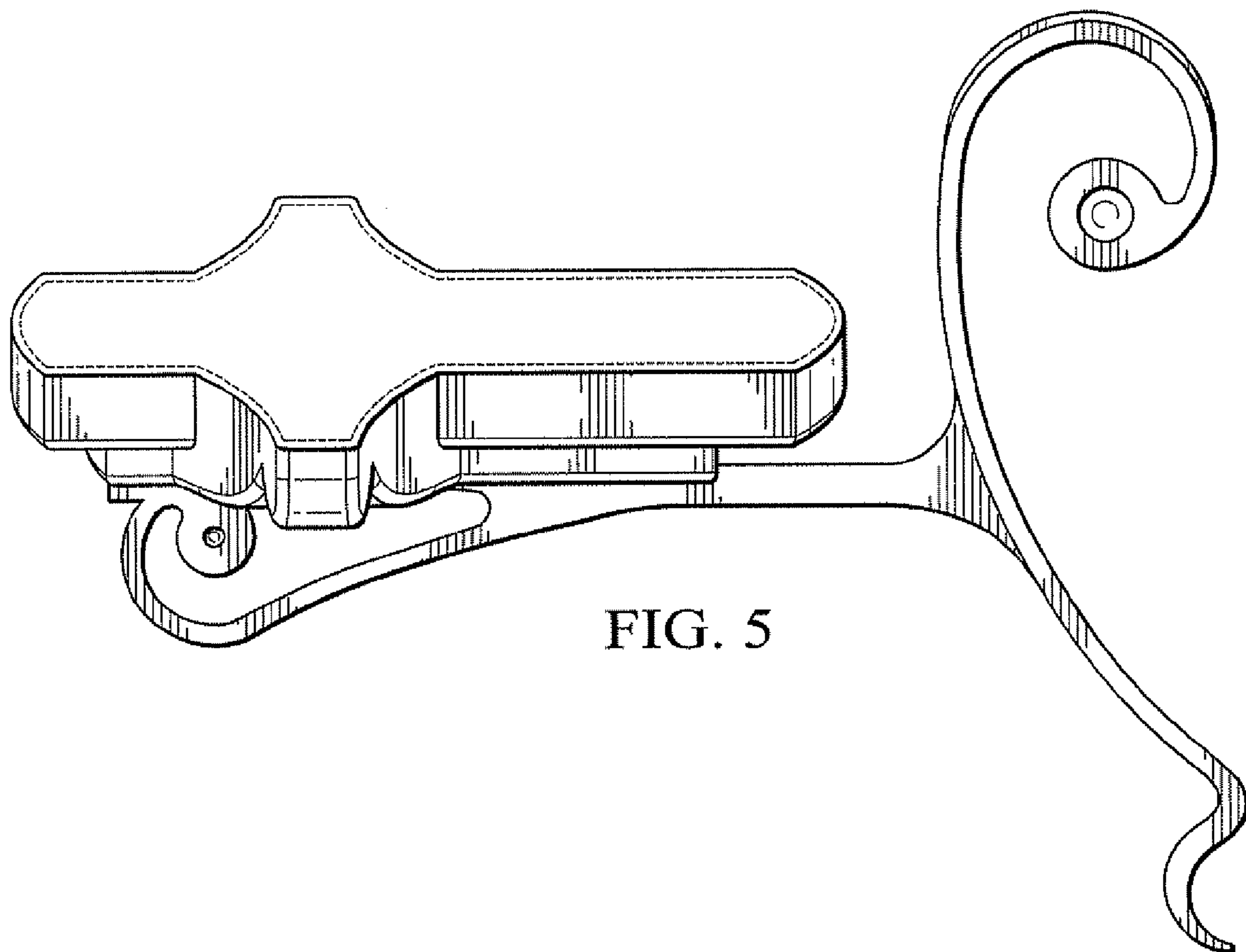


FIG. 5

FIG. 7

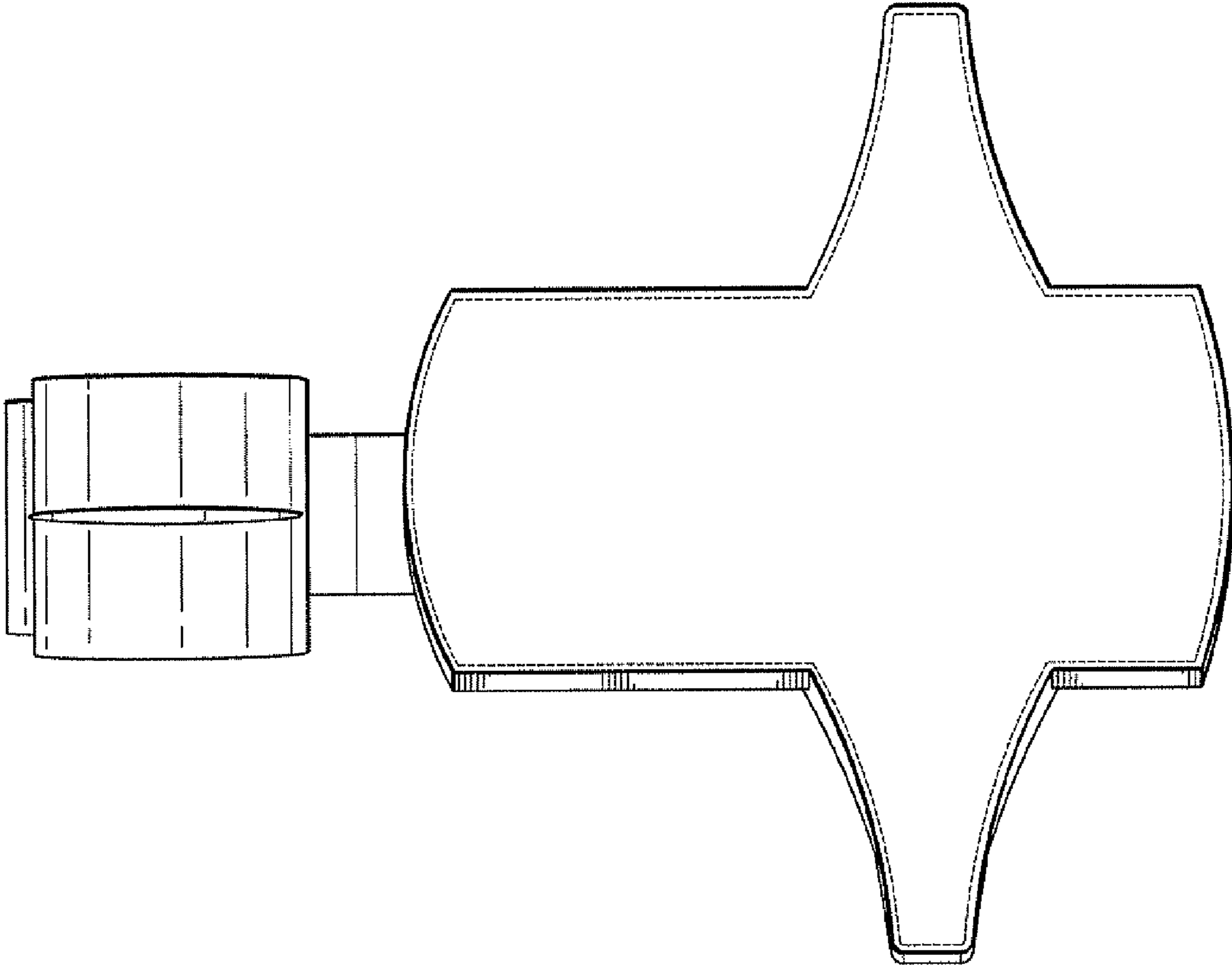


FIG. 6

