



US00D604406S

(12) **United States Design Patent**  
**Patton**

(10) **Patent No.:** **US D604,406 S**

(45) **Date of Patent:** **\*\* Nov. 17, 2009**

(54) **CEILING FAN HOUSING**

(75) Inventor: **David L Patton**, Lancaster, TX (US)

(73) Assignee: **Craftmade International, Inc.**, Coppell, TX (US)

(\*\*) Term: **14 Years**

(21) Appl. No.: **29/334,236**

(22) Filed: **Mar. 23, 2009**

(51) **LOC (9) Cl.** ..... **23-04**

(52) **U.S. Cl.** ..... **D23/411**

(58) **Field of Classification Search** ..... D23/377,  
D23/379, 385, 411, 413; 416/5

See application file for complete search history.

(56) **References Cited**

**U.S. PATENT DOCUMENTS**

D428,986 S	8/2000	Dye
D430,931 S	9/2000	Dye
D434,491 S	11/2000	Nourse
D435,900 S	1/2001	Dye
D437,075 S	1/2001	Chen
D437,927 S	2/2001	Dye
D465,841 S	11/2002	Dye
D479,595 S	9/2003	Curtin
D479,596 S	9/2003	Curtin
D479,597 S	9/2003	Curtin
D479,873 S	9/2003	Curtin
D479,875 S	9/2003	Curtin
D480,129 S	9/2003	Curtin
D480,134 S	9/2003	Wilson
D480,465 S	10/2003	Wilson
D481,453 S	10/2003	Dye
D481,789 S	11/2003	Dye
D482,116 S	11/2003	Curtin
D491,261 S	6/2004	Curtin
D492,056 S	6/2004	Curtin

D498,019 S	11/2004	Dye
D499,829 S	12/2004	Curtin
D500,879 S	1/2005	Curtin
D501,059 S	1/2005	Curtin
D501,948 S	2/2005	Curtin
D503,490 S	3/2005	Curtin
D503,824 S	4/2005	Curtin
D503,992 S	4/2005	Curtin
D503,995 S	4/2005	Curtin

(Continued)

**OTHER PUBLICATIONS**

Co-pending U.S. Appl. No. 29/334,430, filed Mar. 26, 2009 titled "Ceiling Fan Housing".

(Continued)

*Primary Examiner*—Lisa P Lichtenstein

(74) *Attorney, Agent, or Firm*—Bracewell & Giuliani LLP

(57) **CLAIM**

The ornamental design for a ceiling fan housing, as shown and described.

**DESCRIPTION**

FIG. 1 is a perspective view of the ceiling fan housing showing my new design;

FIG. 2 is a front elevational view thereof;

FIG. 3 is a rear elevational view thereof;

FIG. 4 is a left side elevational view thereof;

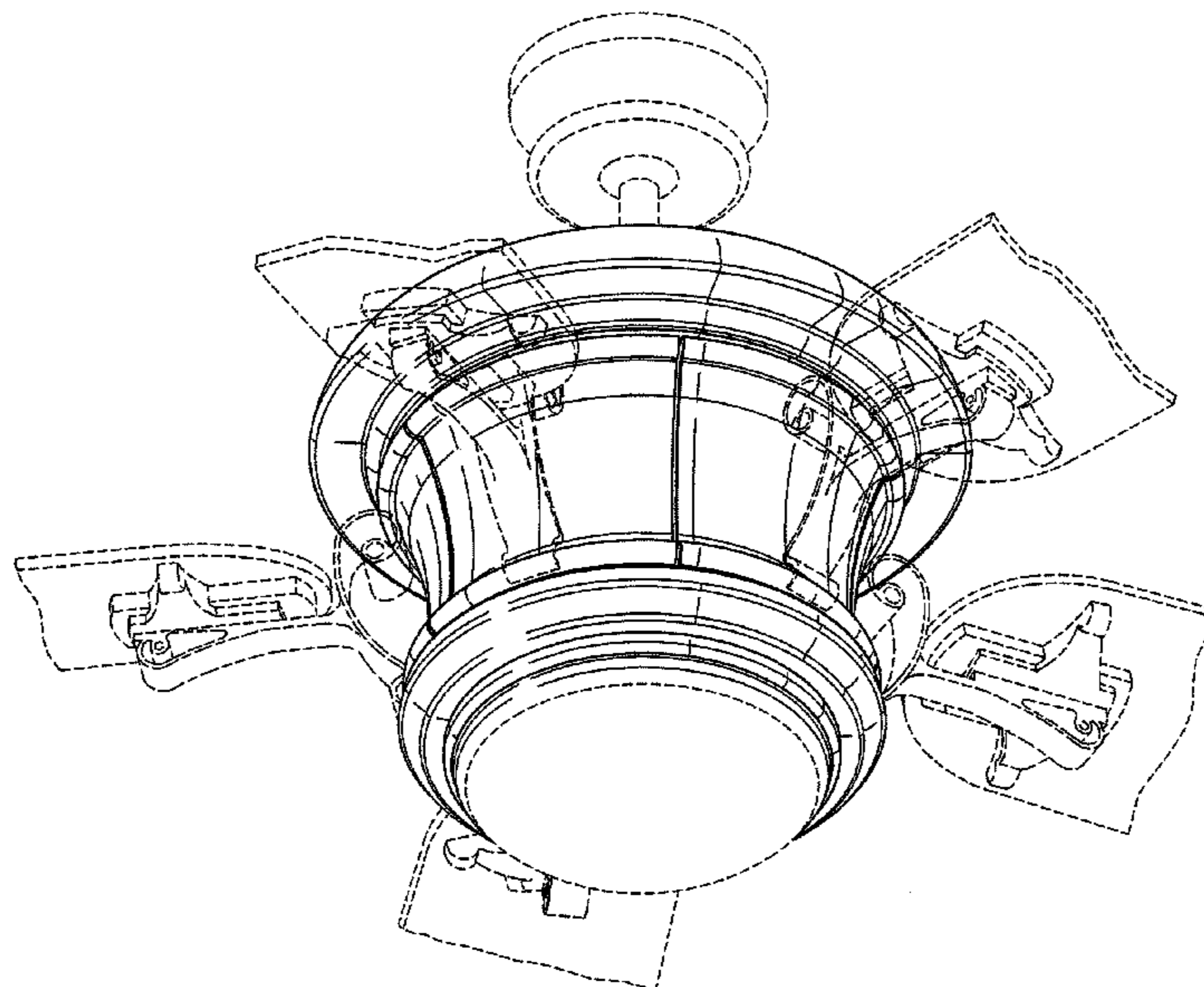
FIG. 5 is a right side elevational view thereof;

FIG. 6 is a top plan view thereof; and,

FIG. 7 is a bottom plan view thereof.

The broken lines depict environmental subject matter only and form no part of the claimed design.

**1 Claim, 7 Drawing Sheets**



# US D604,406 S

Page 2

## U.S. PATENT DOCUMENTS

D507,050 S	7/2005	Curtin	D556,944 S	12/2007	Brookins
D508,125 S	8/2005	Curtin	D557,400 S	12/2007	Curtin
D508,126 S	8/2005	Curtin	D557,793 S	12/2007	Curtin
6,968,953 B2	11/2005	Humphrey	D557,794 S	12/2007	Curtin
D514,242 S	1/2006	Curtin	D563,033 S	2/2008	Brookins
D514,243 S	1/2006	Curtin	D563,034 S	2/2008	Curtin
D514,244 S	1/2006	Curtin	D563,592 S	3/2008	Brookins
D522,131 S	5/2006	Dye	D567,357 S	4/2008	Curtin
D522,132 S	5/2006	Dye	D567,358 S	4/2008	Curtin
D522,644 S	6/2006	Curtin	D567,359 S	4/2008	Teiber
D523,949 S	6/2006	Curtin	D567,360 S	4/2008	Curtin
D527,092 S	8/2006	Dye	D567,361 S *	4/2008	Curtin ..... D23/411
D528,198 S *	9/2006	Dye ..... D23/411	D571,909 S	6/2008	Curtin
D528,647 S	9/2006	Dye	D573,246 S	7/2008	Teiber
D530,004 S	10/2006	Curtin	D584,397 S	1/2009	Curtin
D532,101 S	11/2006	Curtin	D585,974 S	2/2009	Curtin
D532,106 S	11/2006	Curtin			
D536,438 S	2/2007	Curtin			
D544,132 S	6/2007	Curtin			
D548,874 S	8/2007	Curtin			
D549,381 S	8/2007	Curtin			
D551,382 S	9/2007	Curtin			
D553,285 S	10/2007	Curtin			
D553,785 S	10/2007	Dye			
D553,786 S	10/2007	Dye			
D556,318 S	11/2007	Curtin			
D556,887 S	12/2007	Curtin			
D556,888 S	12/2007	Curtin			
D556,889 S	12/2007	Curtin			
D556,890 S	12/2007	Brookins			
D556,891 S	12/2007	Brookins			

## OTHER PUBLICATIONS

Co-pending U.S. Appl. No. 29/334,426, filed Mar. 26, 2009 titled "Light Fixture".  
Co-pending U.S. Appl. No. 29/334,316, filed Mar. 24, 2009 titled "Ceiling Fan Housing".  
Co-pending U.S. Appl. No. 29/334,309, filed Mar. 24, 2009 titled "Ceiling Fan Blade Iron".  
Co-pending U.S. Appl. No. 29/334,304, filed Mar. 24, 2009 titled "Ceiling Fan Housing".  
Co-pending U.S. Appl. No. 29/334,299, filed Mar. 24, 2009 titled "Ceiling Fan Blade Iron".  
Co-pending U.S. Appl. No. 29/334,297, filed Mar. 24, 2009 titled "Combination Ceiling Fan Housing and Blade Irons".

\* cited by examiner

FIG. 1

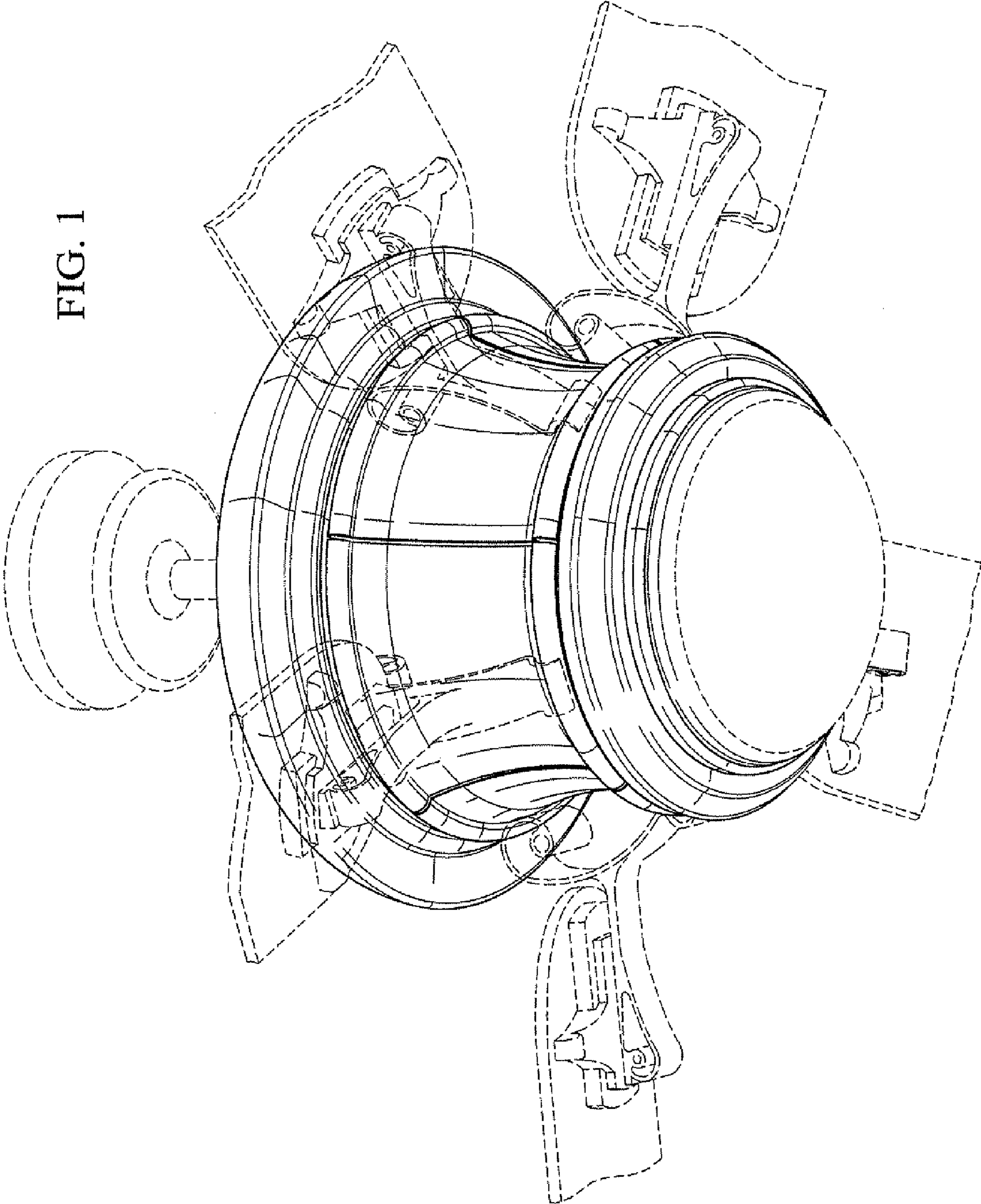


FIG. 2

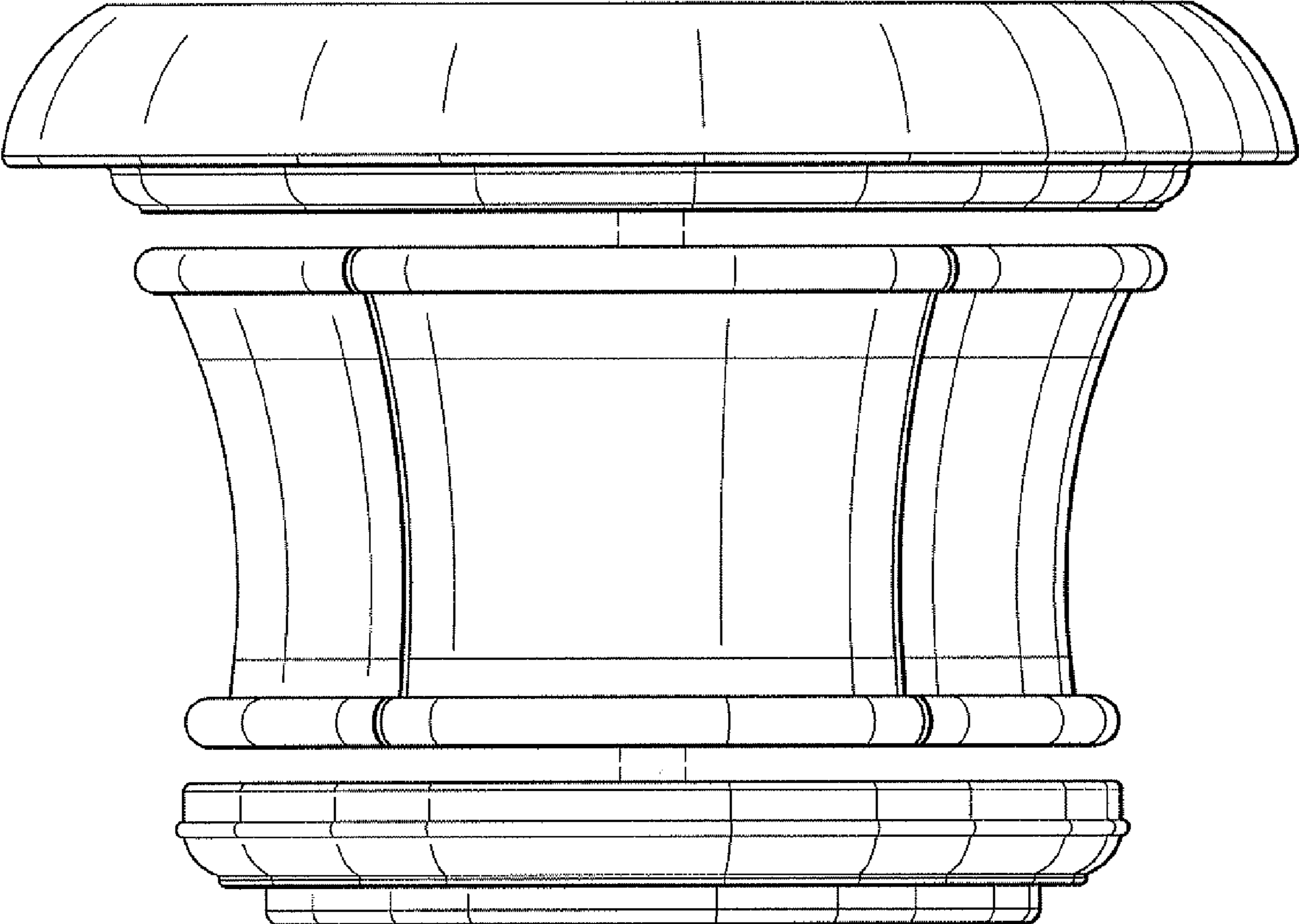


FIG. 3

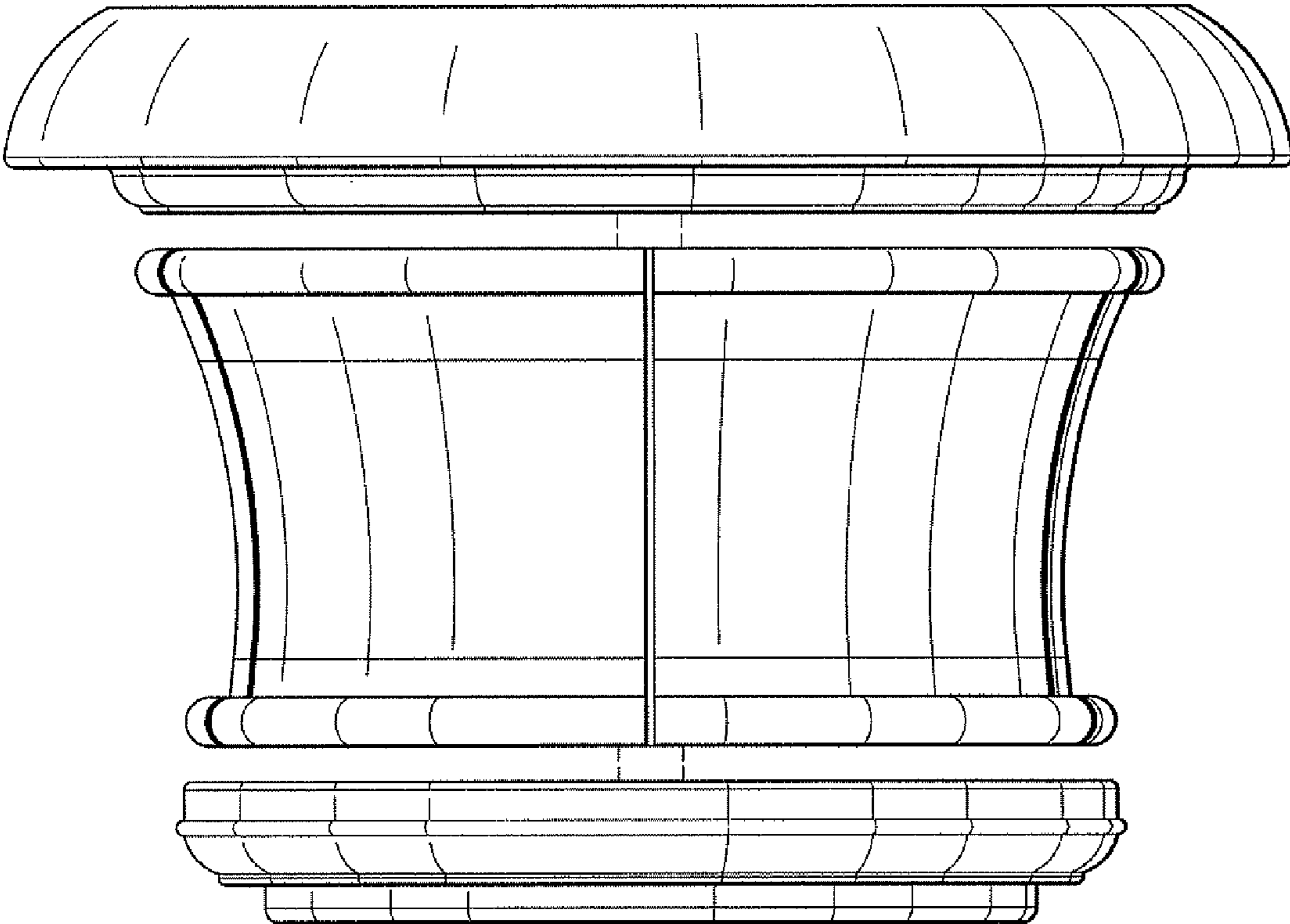


FIG. 4

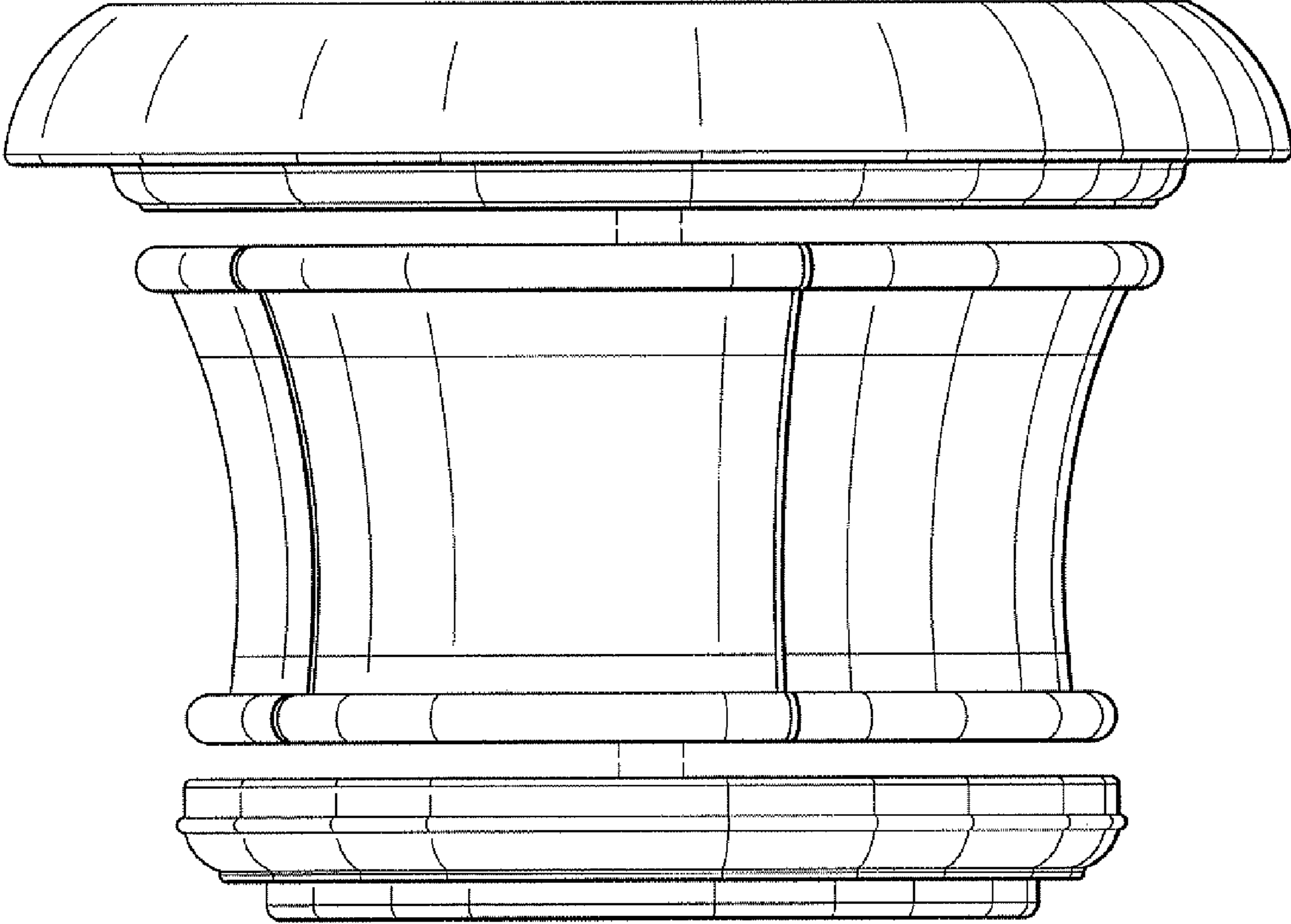


FIG. 5

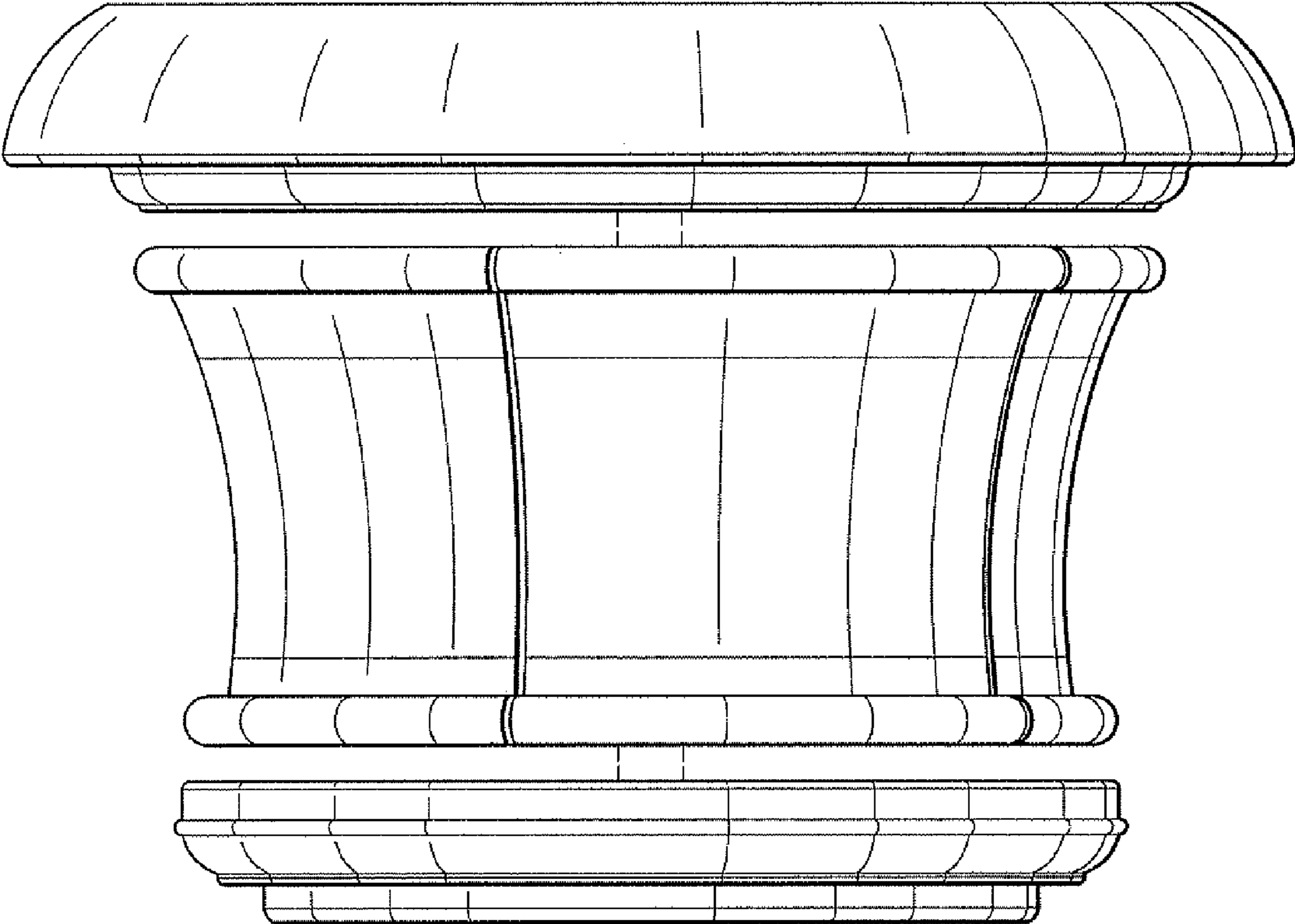


FIG. 6

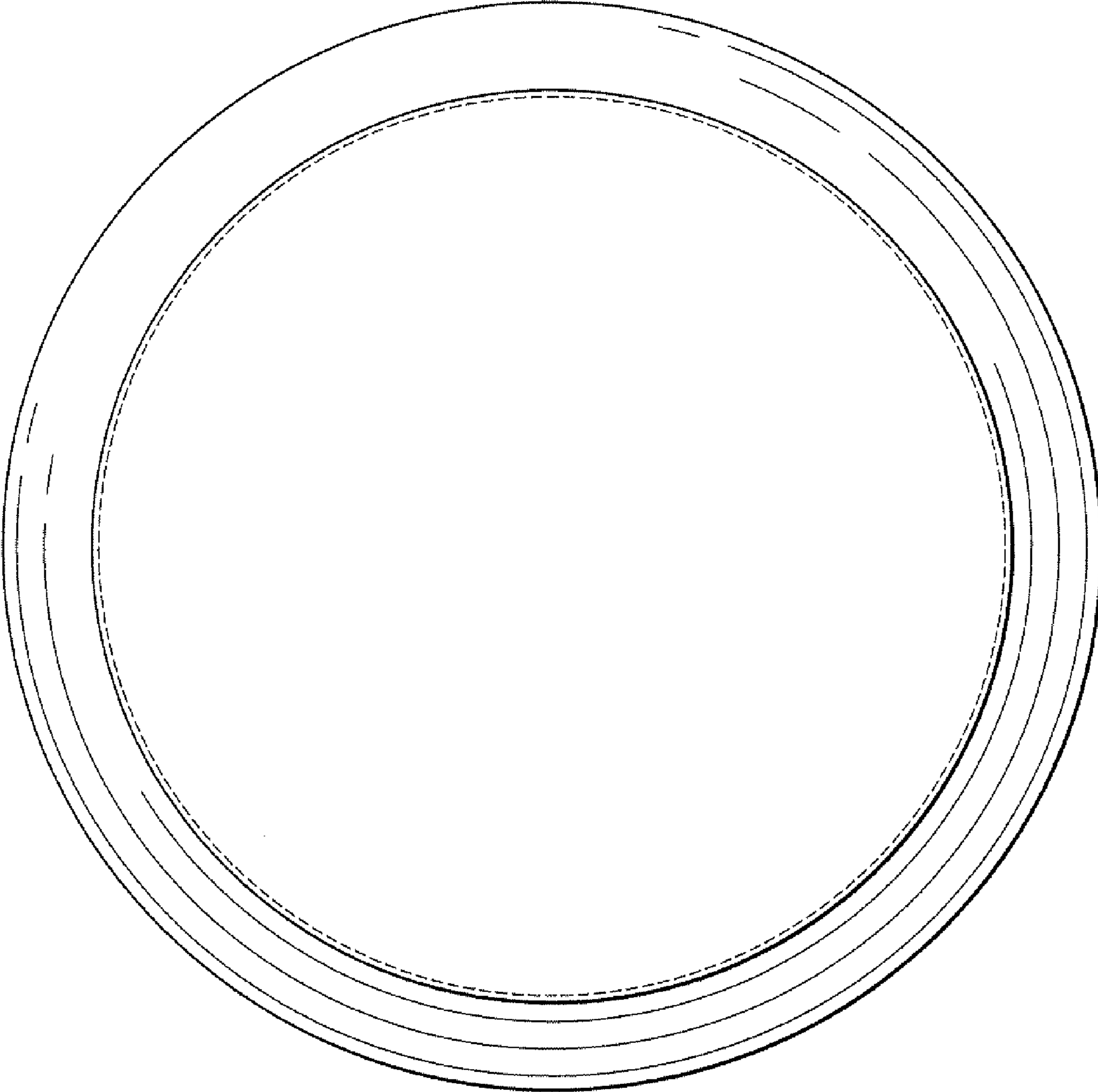




FIG. 7

