



US00D604404S

(12) **United States Design Patent**
Bengtson et al.

(10) **Patent No.:** **US D604,404 S**

(45) **Date of Patent:** **** Nov. 17, 2009**

(54) **HOOD CONTROL**

D558,322 S * 12/2007 Lebeuf et al. D23/372

* cited by examiner

(75) Inventors: **Alan D. Bengtson**, Saint Joseph, MI (US); **Timothy T. Murphy**, Saint Joseph, MI (US)

Primary Examiner—Lisa P Lichtenstein

(74) *Attorney, Agent, or Firm*—Tara Hartman; Barnes & Thornburg

(73) Assignee: **Whirlpool Corporation**, Benton Harbor, MI (US)

(57) **CLAIM**

We claim the ornamental design for a hood control, as shown and described.

(**) Term: **14 Years**

(21) Appl. No.: **29/333,184**

DESCRIPTION

(22) Filed: **Mar. 4, 2009**

FIG. 1 is a front perspective view of one embodiment of the design of the hood control;

(51) **LOC (9) Cl.** **23-04**

(52) **U.S. Cl.** **D23/372**

(58) **Field of Classification Search** D23/372, D23/371, 370; D7/406; 126/299 D, 299 R; 454/56, 58

FIG. 2 is a front elevation view of the hood control of FIG. 1; FIG. 3 is a bottom plan view of the hood control of FIG. 1; and,

FIG. 4 is an enlarged fragmentary perspective view of the recess of the hood control of FIG. 1.

See application file for complete search history.

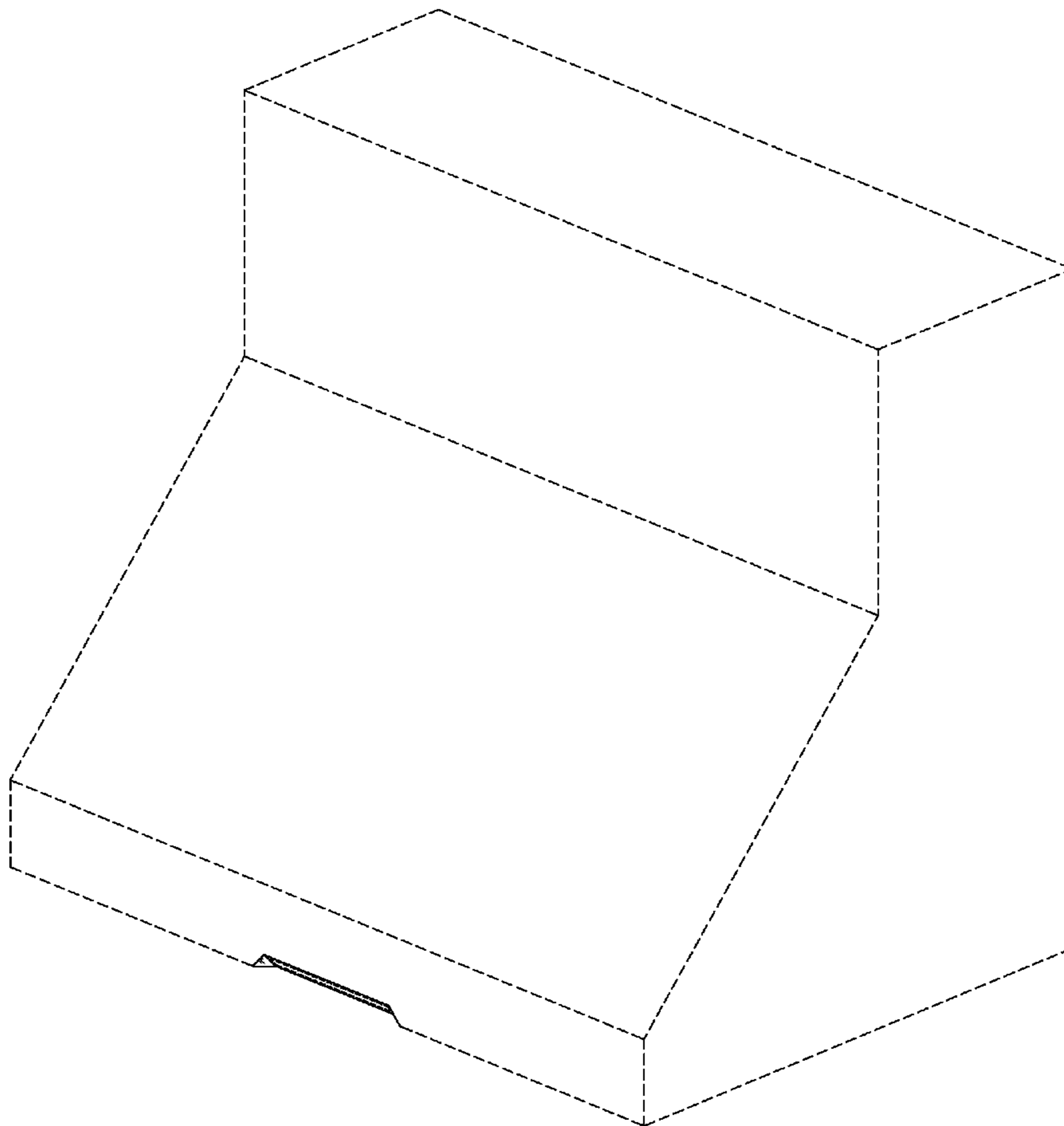
The rear elevation, side elevation, and bottom plan views are not shown and form no part of the claimed design. The portion shown in broken lines is for illustrative purposes only and forms no part of the claimed design.

(56) **References Cited**

U.S. PATENT DOCUMENTS

5,690,093 A * 11/1997 Schrank et al. 126/299 D

1 Claim, 4 Drawing Sheets



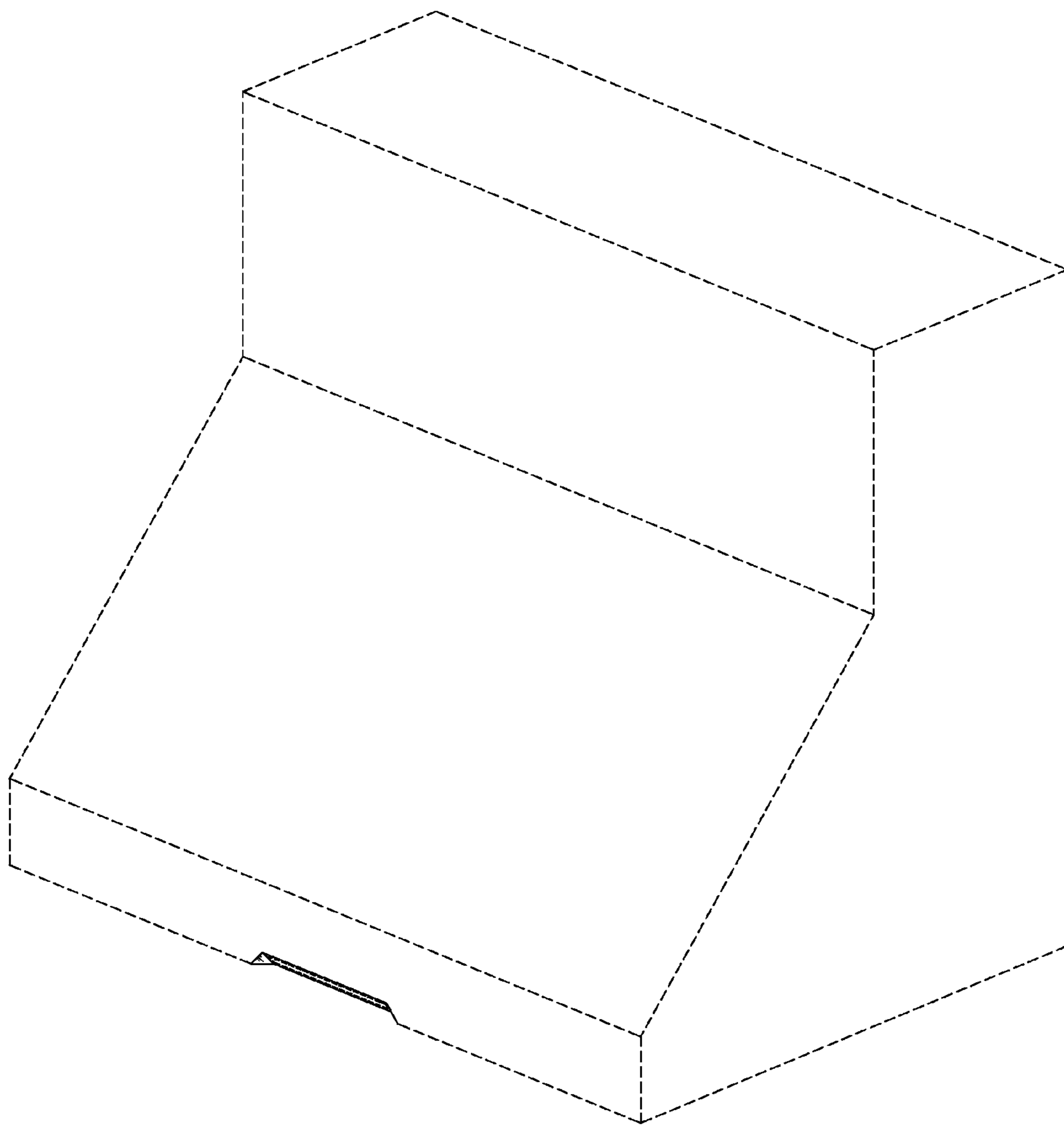


Fig. 1

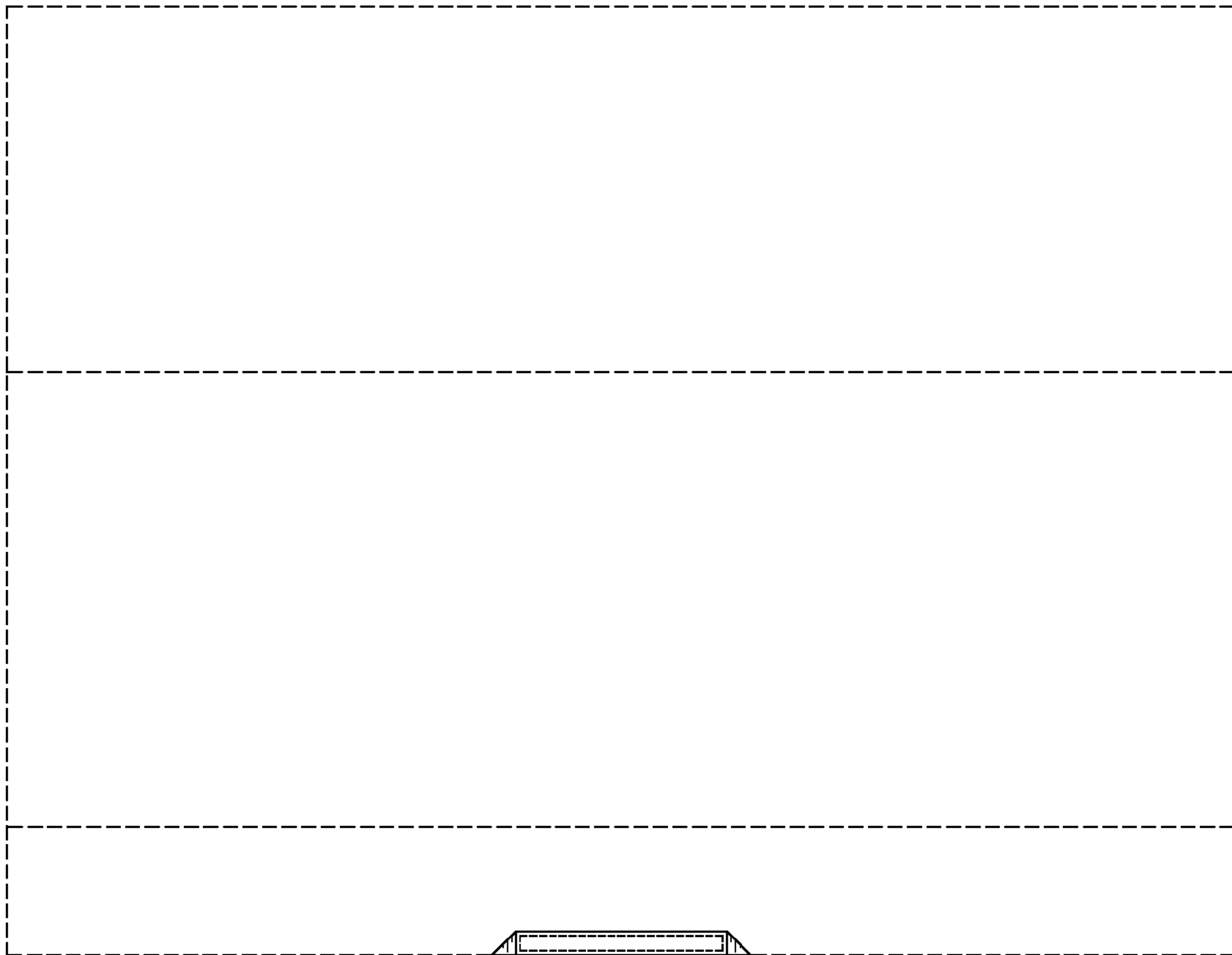


Fig. 2

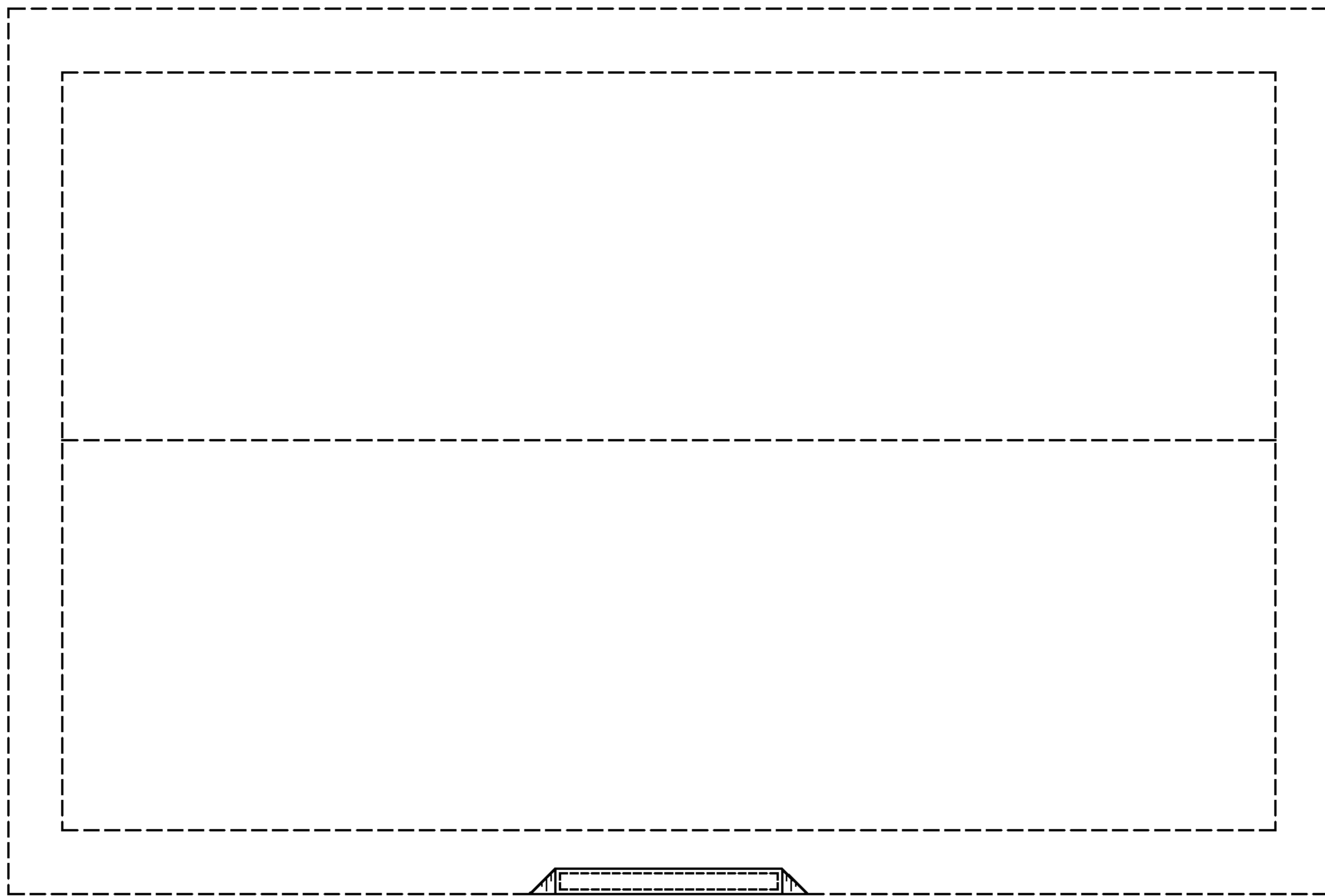


Fig. 3

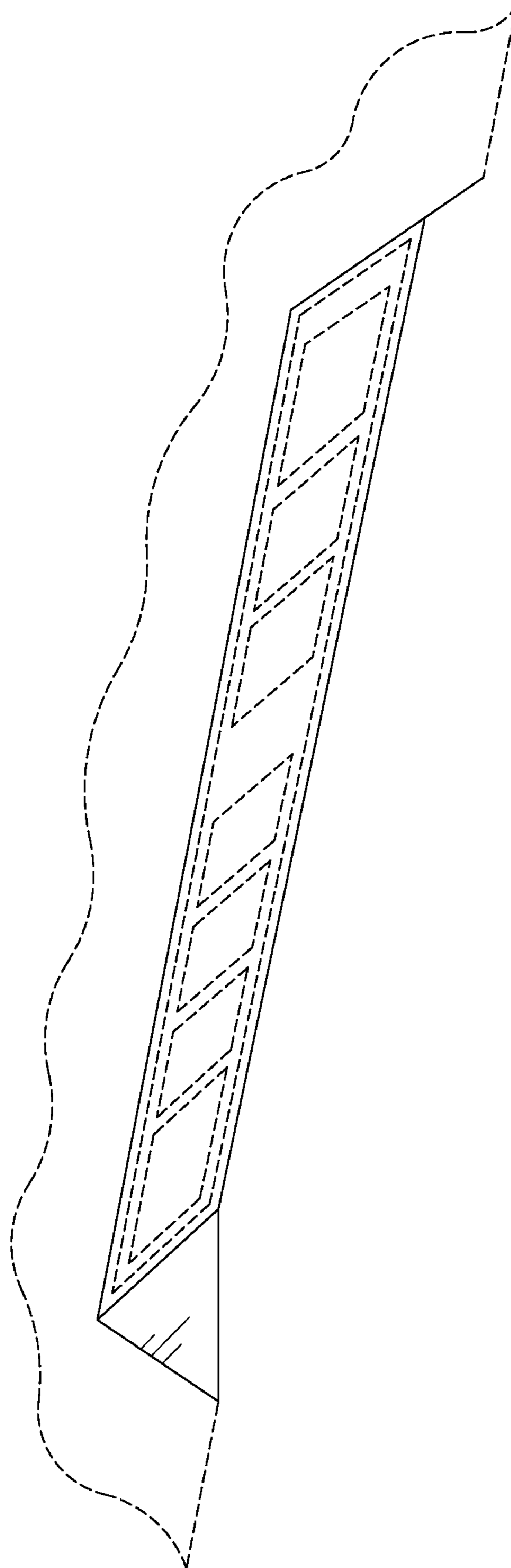


Fig. 4