



US00D604403S

(12) **United States Design Patent**
Grobleben

(10) **Patent No.:** **US D604,403 S**

(45) **Date of Patent:** **** Nov. 17, 2009**

(54) **EXTRACTOR HOOD**

D471,268 S * 3/2003 Segers D23/372
D487,505 S * 3/2004 Grobleben D23/371

(75) Inventor: **Ralf Grobleben**, Bretten (DE)

(73) Assignee: **BSH Bosch und Siemens Hausgeraete GmbH**, Munich (DE)

* cited by examiner

Primary Examiner—Lisa Lichtenstein

(**) Term: **14 Years**

(74) *Attorney, Agent, or Firm*—James E. Howard

(21) Appl. No.: **29/245,473**

(57) **CLAIM**

(22) Filed: **Dec. 23, 2005**

The ornamental design for an extractor hood, as shown.

Related U.S. Application Data

(63) Continuation of application No. 29/185,050, filed on Jun. 20, 2003.

DESCRIPTION

(30) **Foreign Application Priority Data**

Dec. 20, 2002 (DE) 4 02 10 743

FIG. 1 is a perspective view of the extractor hood;

FIG. 2 is a front view of the extractor hood shown in FIG. 1;

FIG. 3 is a bottom perspective view of the extractor hood shown in FIG. 1;

(51) **LOC (9) Cl.** **23-04**

(52) **U.S. Cl.** **D23/371**

(58) **Field of Classification Search** D23/371,
D23/372; D7/406

FIG. 4 is a right side view of the extractor hood shown in FIG. 1;

FIG. 5 is a left side view of the extractor hood shown in FIG. 1;

See application file for complete search history.

FIG. 6 is a top view of the extractor hood shown in FIG. 1; and,

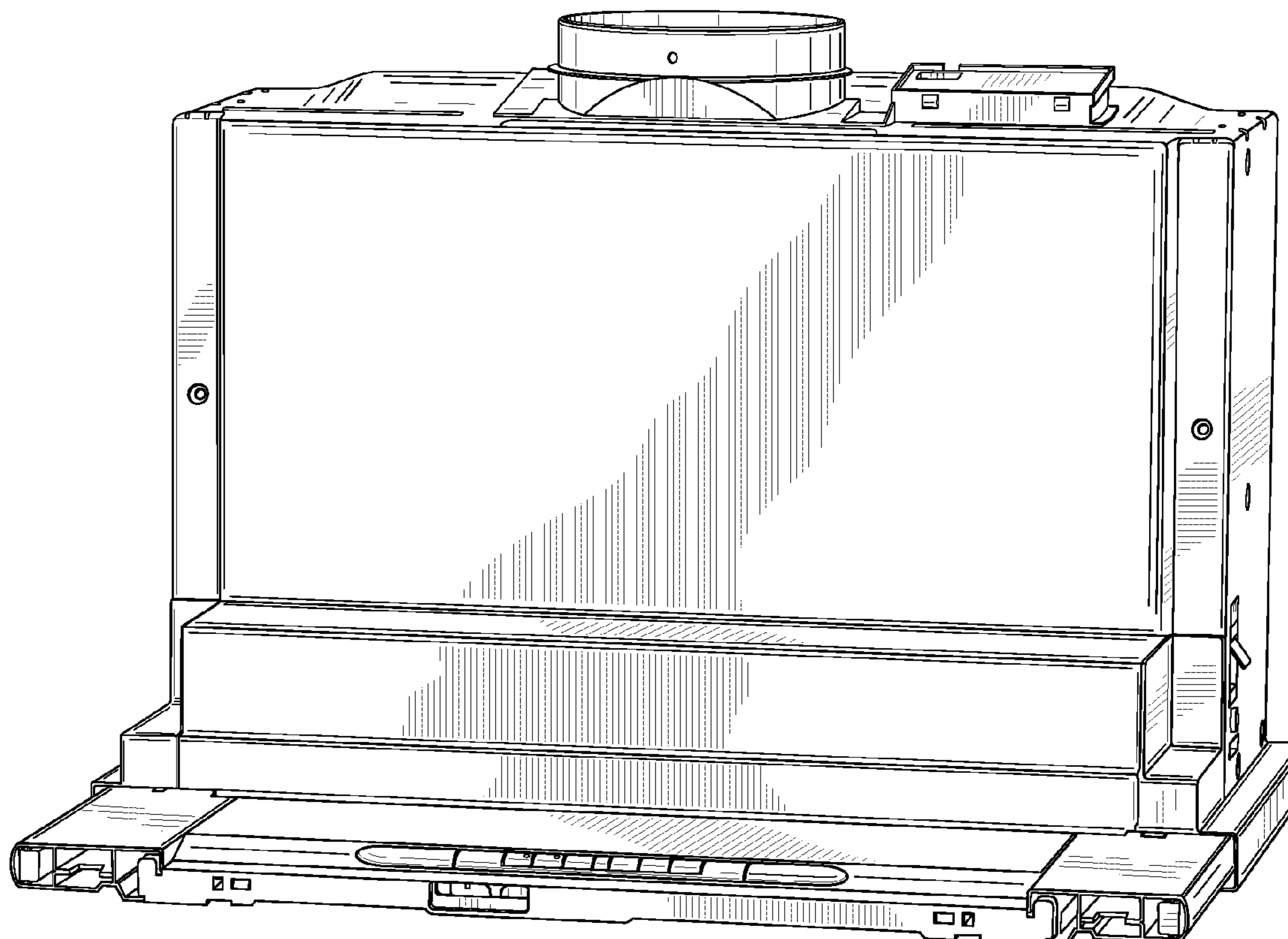
FIG. 7 is a rear view of the extractor hood shown in FIG. 1.

(56) **References Cited**

U.S. PATENT DOCUMENTS

D463,019 S * 9/2002 Jones et al. D23/372

1 Claim, 7 Drawing Sheets



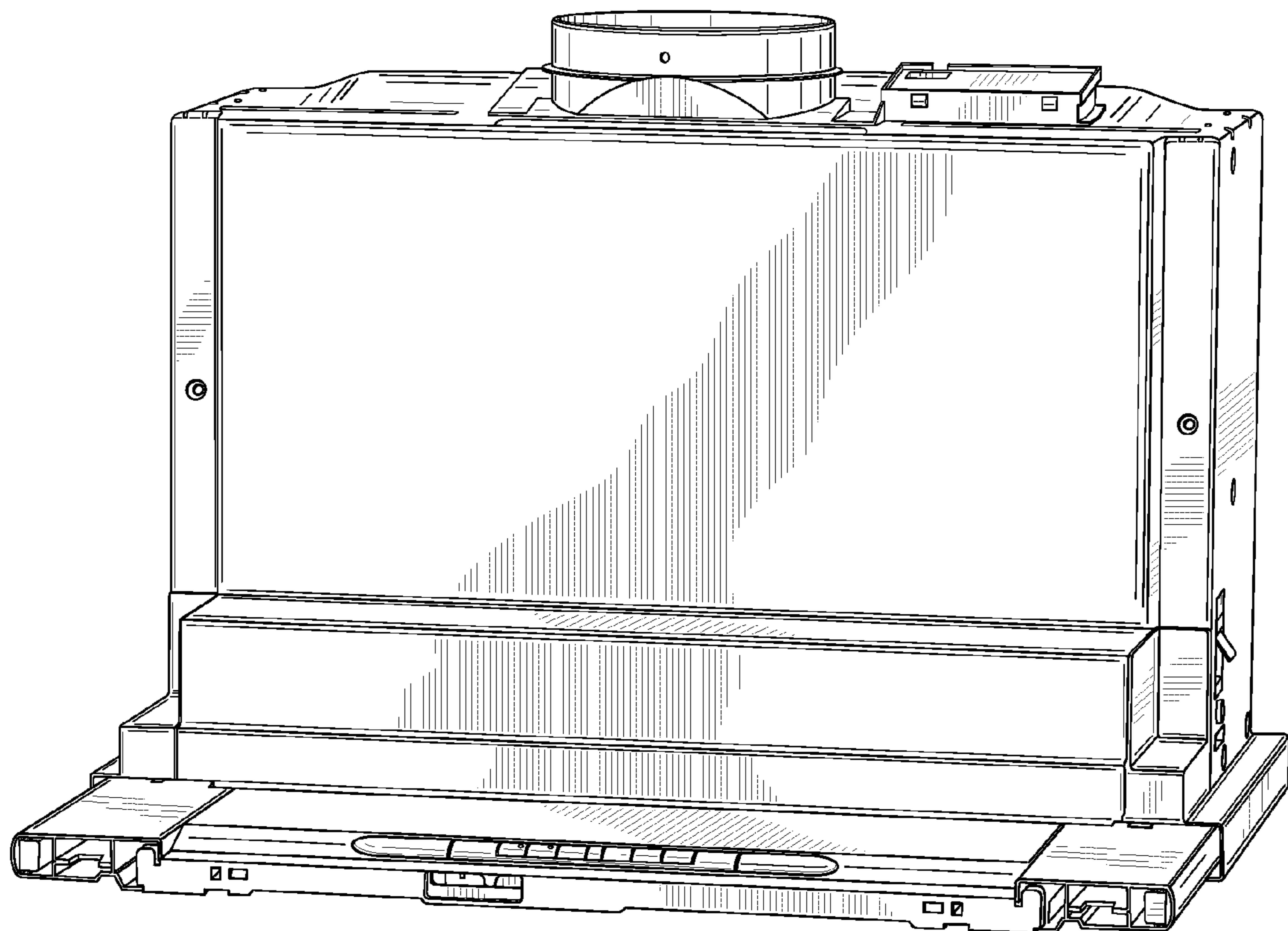


FIG. 1

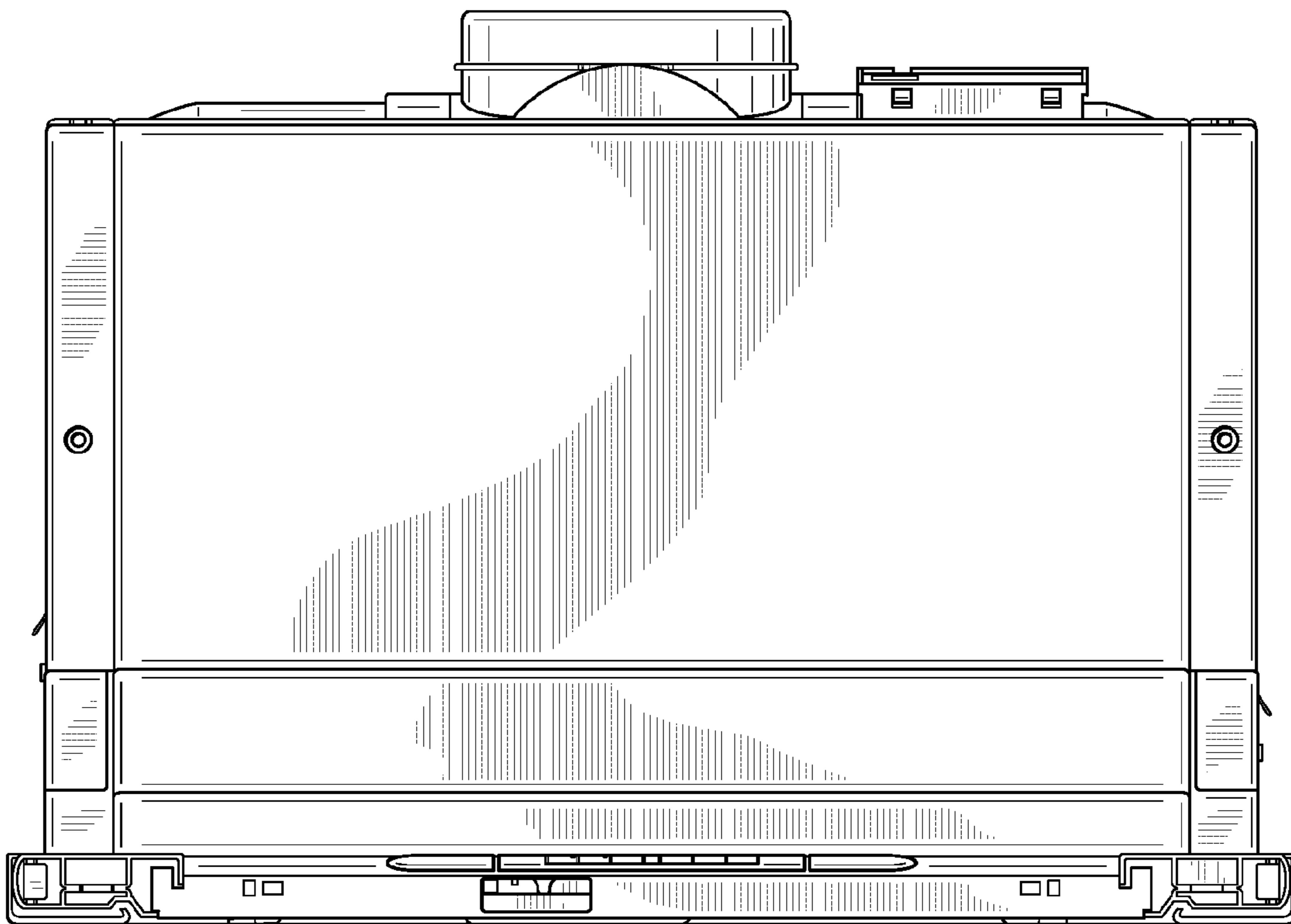


FIG. 2

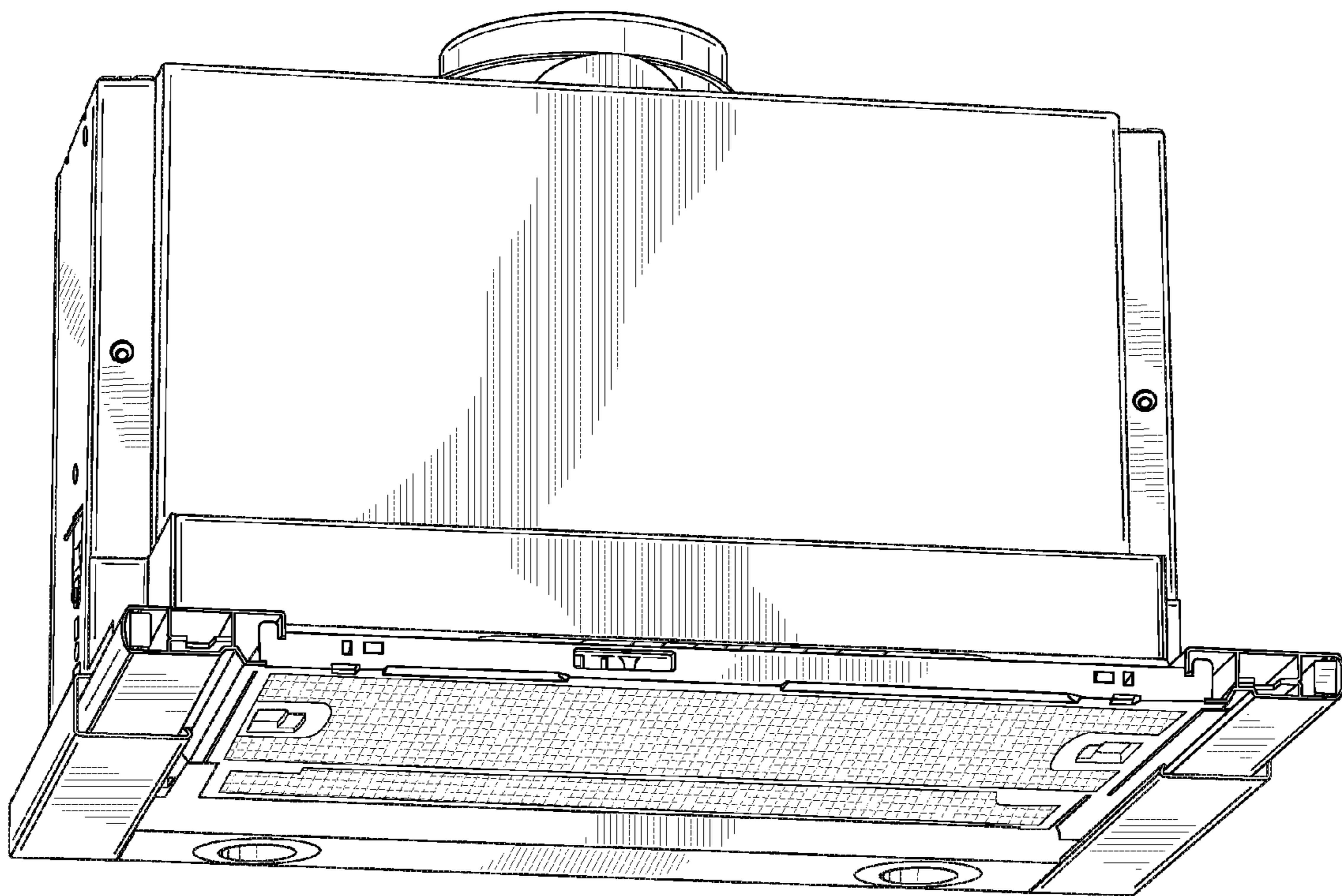


FIG. 3

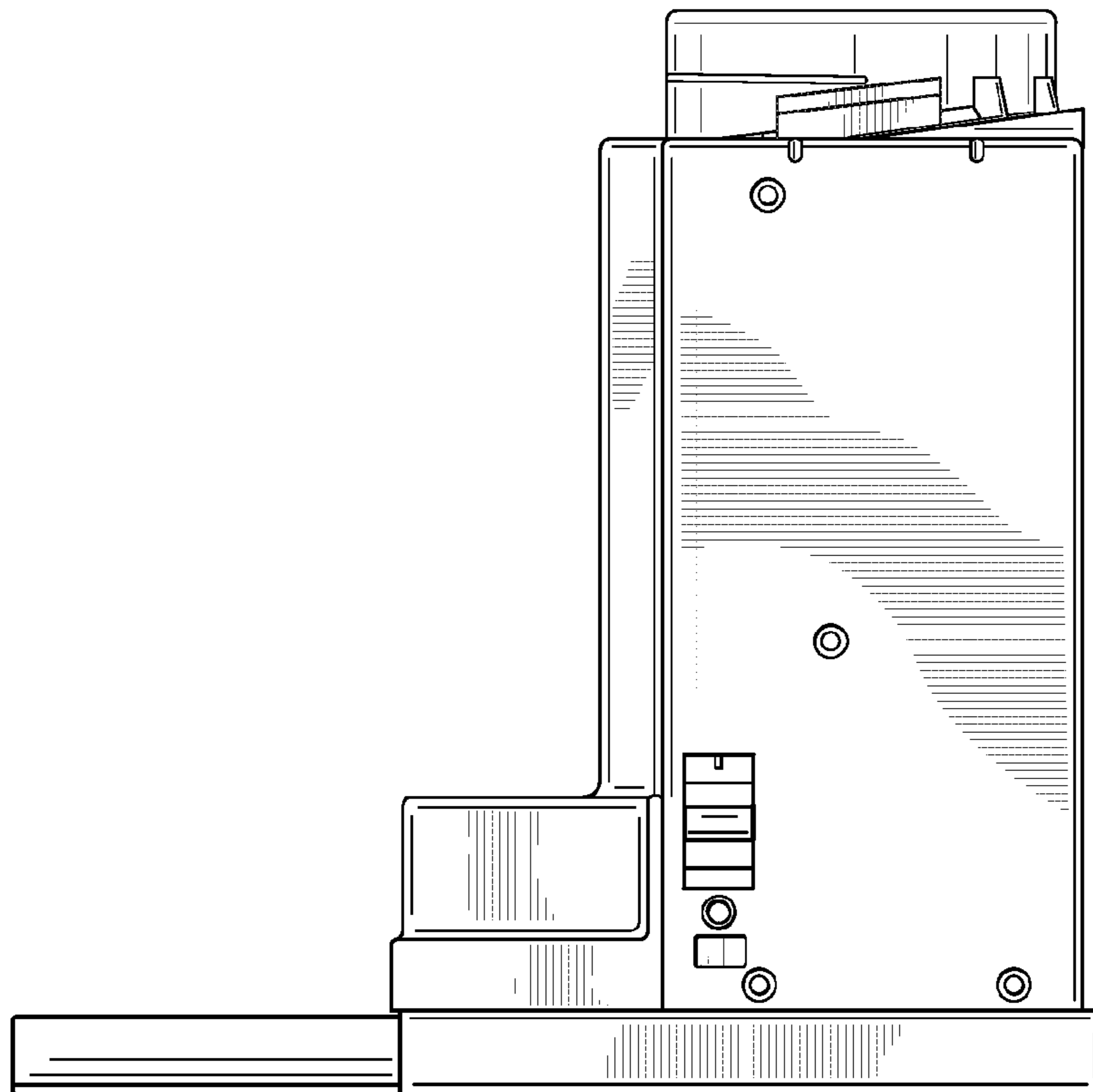


FIG. 4

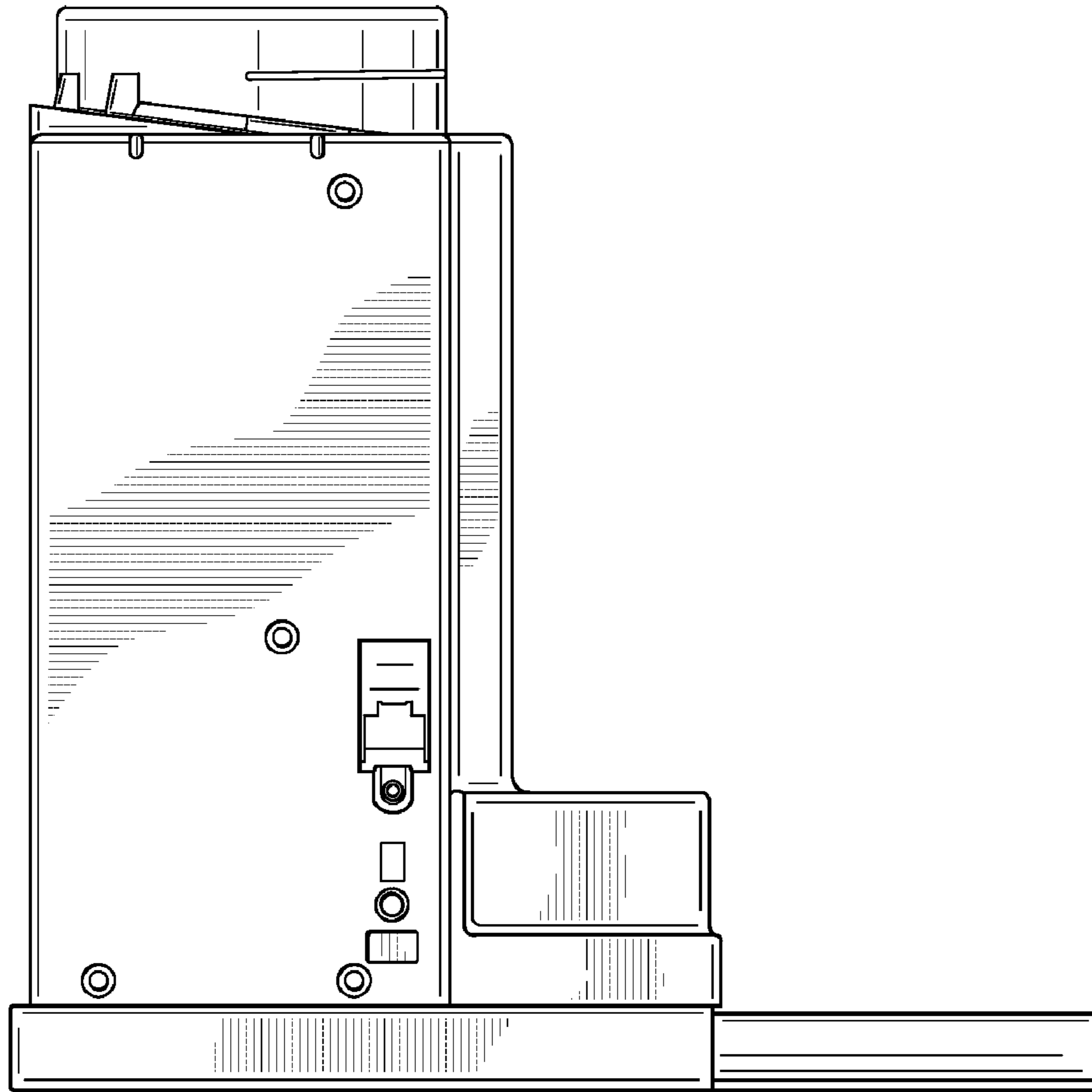


FIG. 5

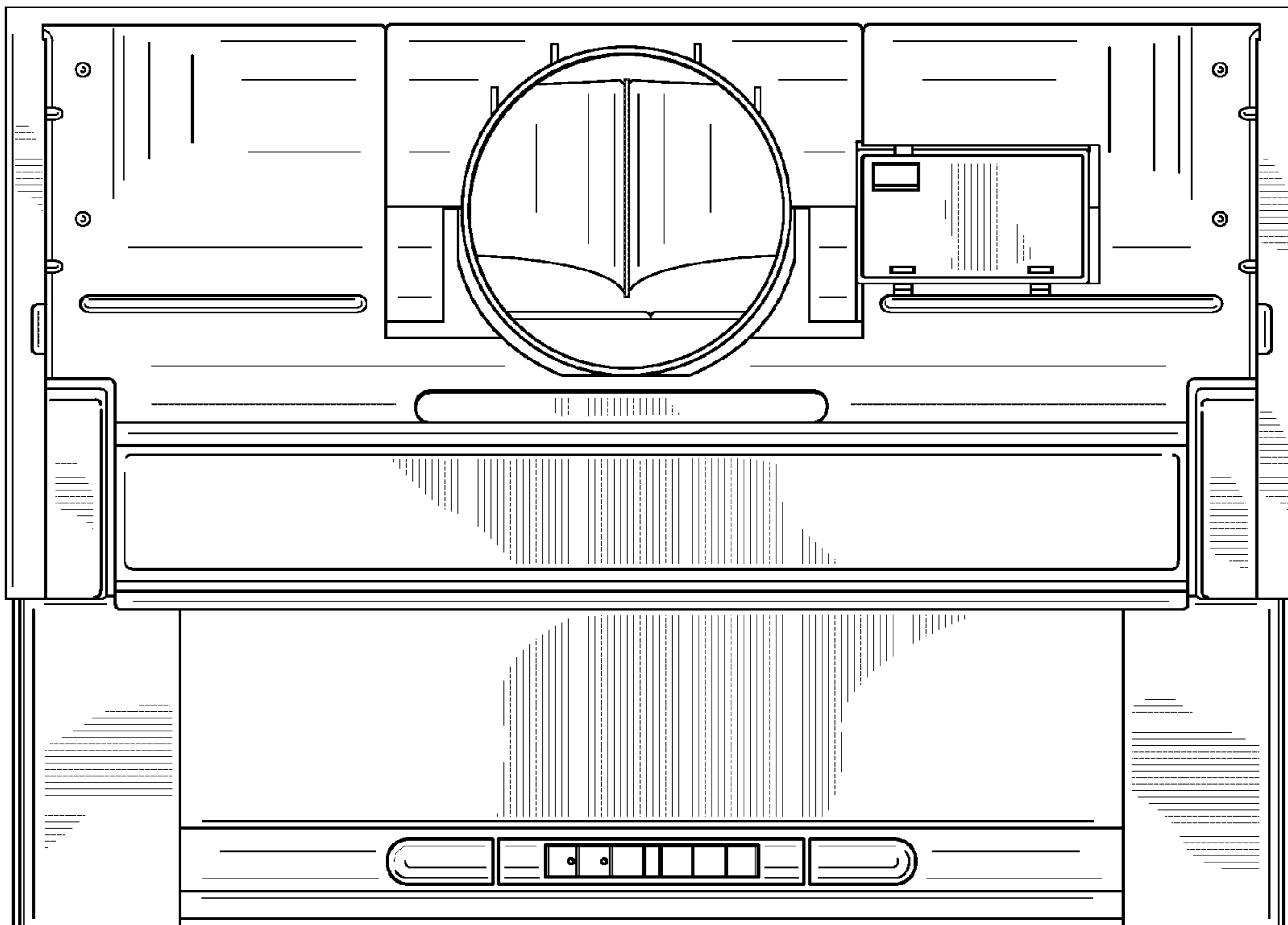


FIG. 6

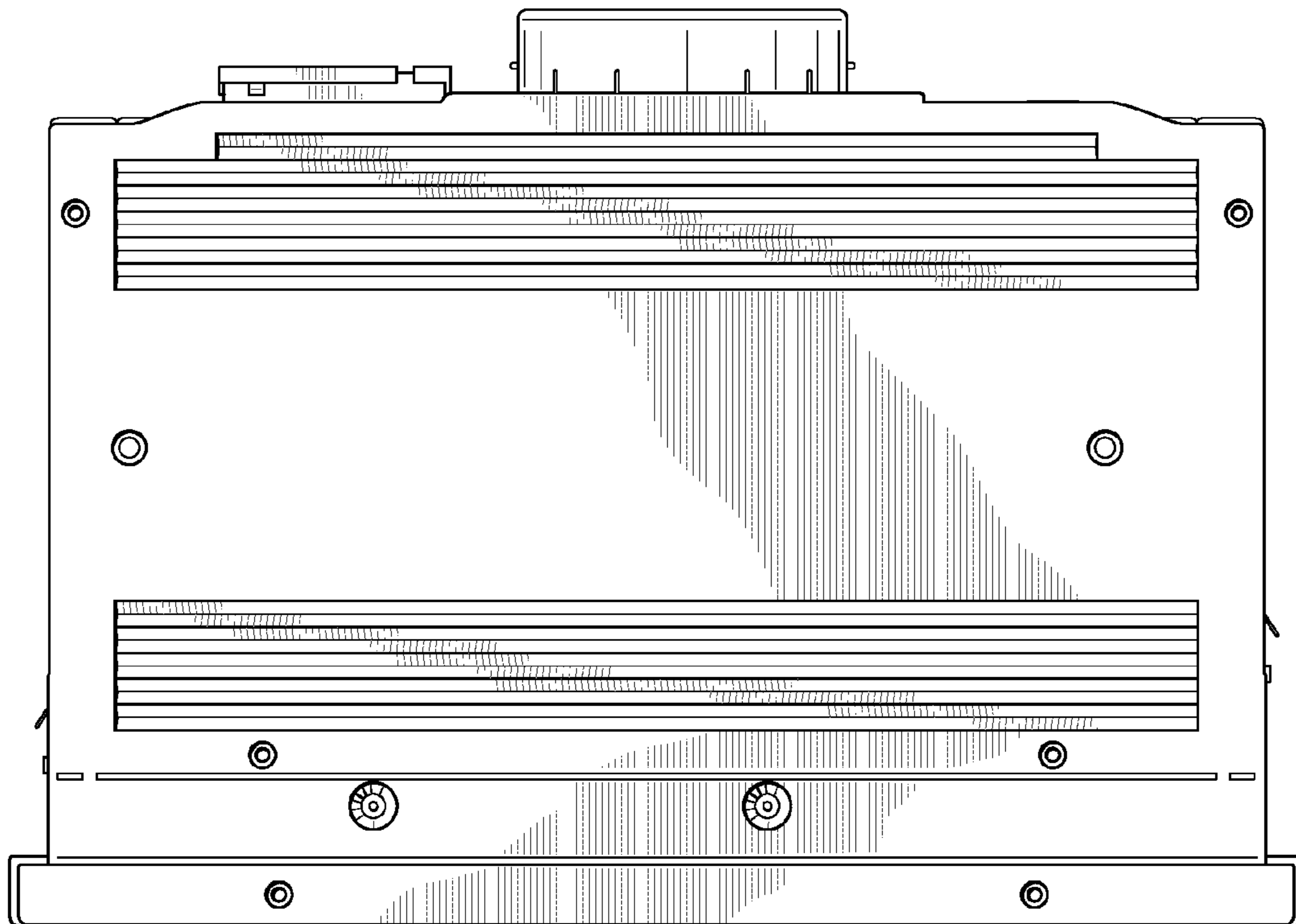


FIG. 7