



US00D604402S

(12) **United States Design Patent**
Tomas Vilarasa et al.

(10) **Patent No.:** **US D604,402 S**
(45) **Date of Patent:** **** Nov. 17, 2009**

(54) **DIFFUSING EVAPORATOR OF ACTIVE SUBSTANCE**

(75) Inventors: **Ricard Tomas Vilarasa**, Barcelona (ES);
Ruben Garcia Fabregas, Barcelona (ES)

(73) Assignee: **Zobebe Espana, S.A.** (ES)

(**) Term: **14 Years**

(21) Appl. No.: **29/332,215**

(22) Filed: **Feb. 11, 2009**

(51) **LOC (9) Cl.** **28-99**

(52) **U.S. Cl.** **D23/366**

(58) **Field of Classification Search** D23/355-369;
261/DIG. 17, DIG. 42, DIG. 65, DIG. 88,
261/DIG. 89; 239/34-37, 44, 45, 53, 54,
239/57, 60, 136, 152, 302, 326; 392/386,
392/390, 392, 394, 395; D28/5, 6
See application file for complete search history.

(56) **References Cited**

U.S. PATENT DOCUMENTS

D432,222 S *	10/2000	Rymer et al.	D23/366
D437,636 S *	2/2001	Basaganas	D23/366
D440,291 S *	4/2001	Wolpert et al.	D23/360
D447,550 S *	9/2001	Basaganas	D23/366
D461,885 S *	8/2002	Jordi	D23/366
D510,135 S *	9/2005	Mariotti	D23/366

D510,423 S *	10/2005	Caserta et al.	D23/366
D511,823 S *	11/2005	Caserta et al.	D23/366
D520,128 S *	5/2006	Caserta et al.	D23/366
D523,129 S *	6/2006	Caserta et al.	D23/366
D541,923 S *	5/2007	Castillo Higareda	D23/366
D544,087 S *	6/2007	Baraky et al.	D23/366
D544,951 S *	6/2007	Zobebe	D23/366
D561,881 S *	2/2008	Huang	D23/356

* cited by examiner

Primary Examiner—Sandra Snapp

(74) *Attorney, Agent, or Firm*—Cantor Colburn LLP

(57) **CLAIM**

I claim, the ornamental design for a diffusing evaporator of active substance, as shown and described.

DESCRIPTION

FIG. 1 is a front perspective view of a diffusing evaporator of active substance, showing my new design;

FIG. 2 is a rear perspective view thereof;

FIG. 3 is a front elevational view thereof;

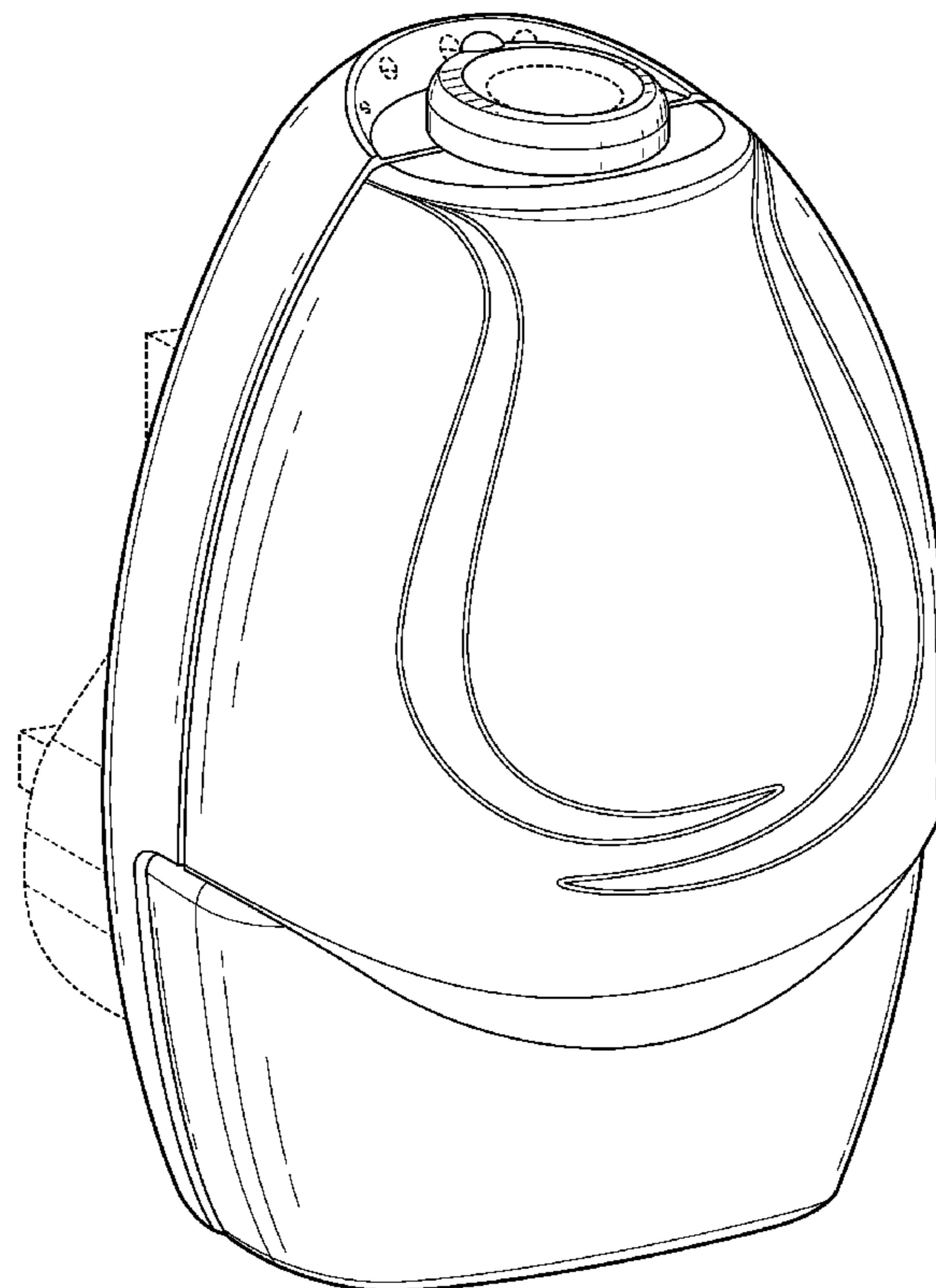
FIG. 4 is a side elevational view thereof taken from the left of FIG. 3;

FIG. 5 is a top plan view thereof; and,

FIG. 6 is a rear elevational view thereof.

The broken lines shown in the drawings are for illustrative purposes only and form no part of the claimed design.

1 Claim, 6 Drawing Sheets



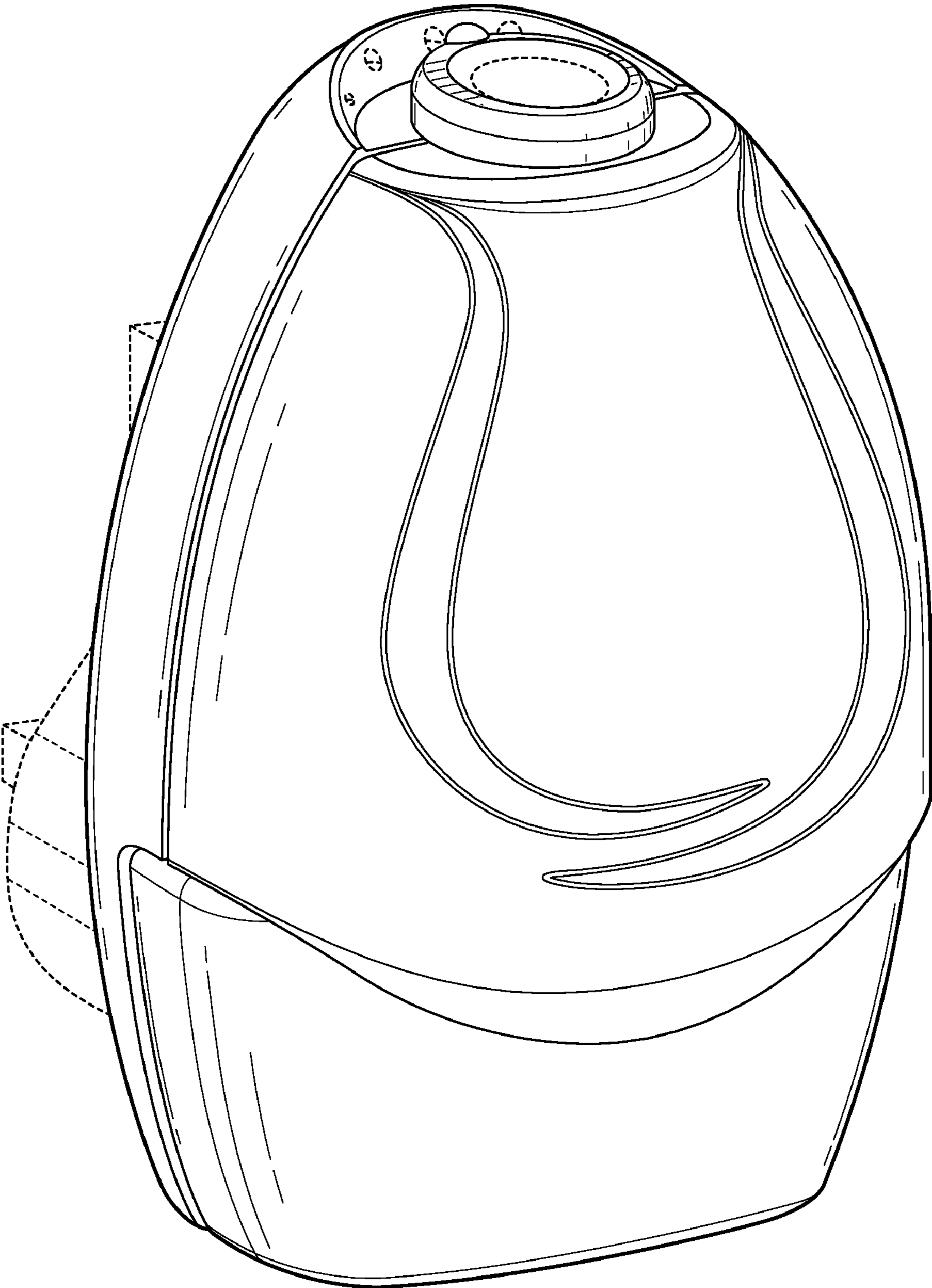


FIG. 1

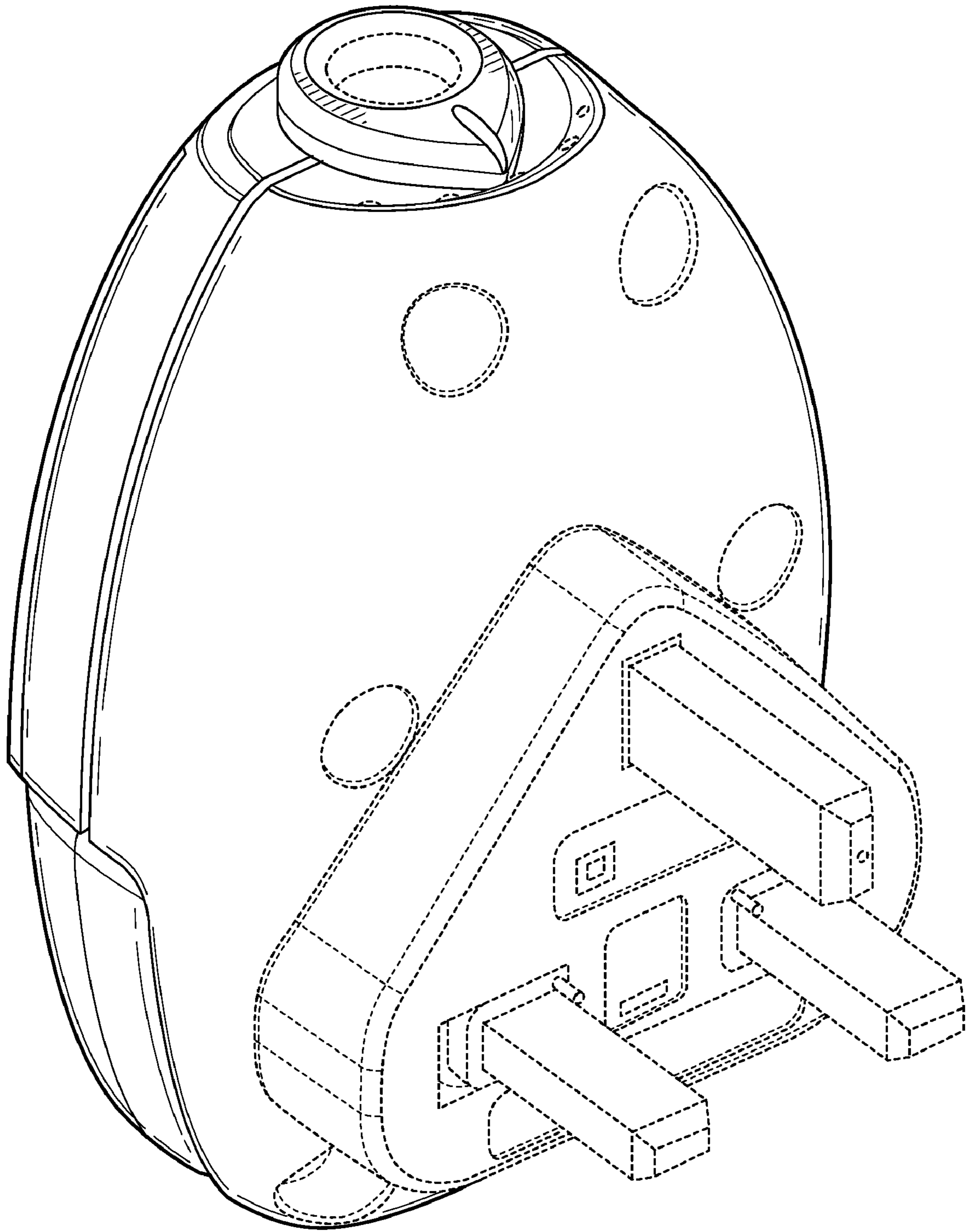


FIG. 2

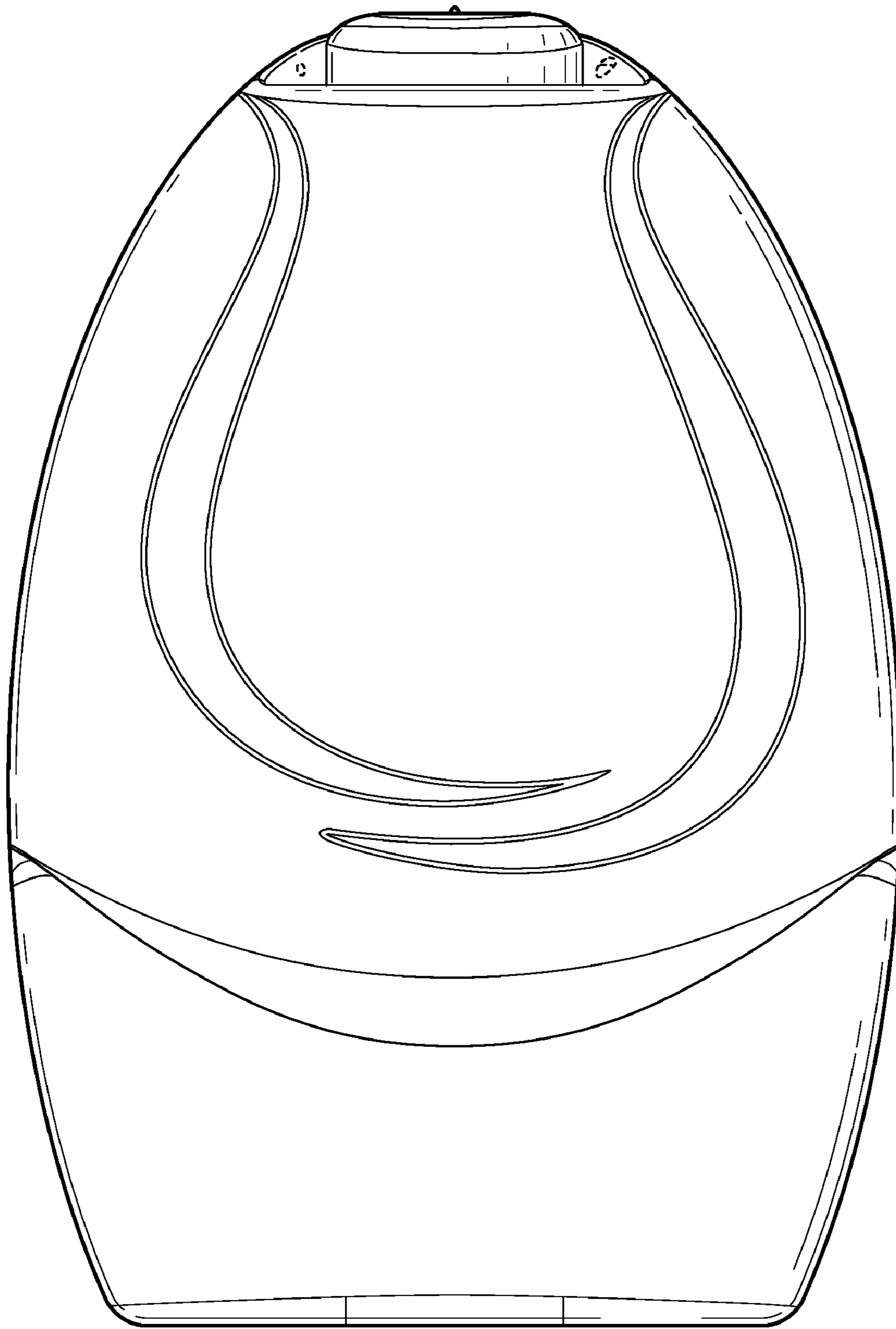


FIG. 3

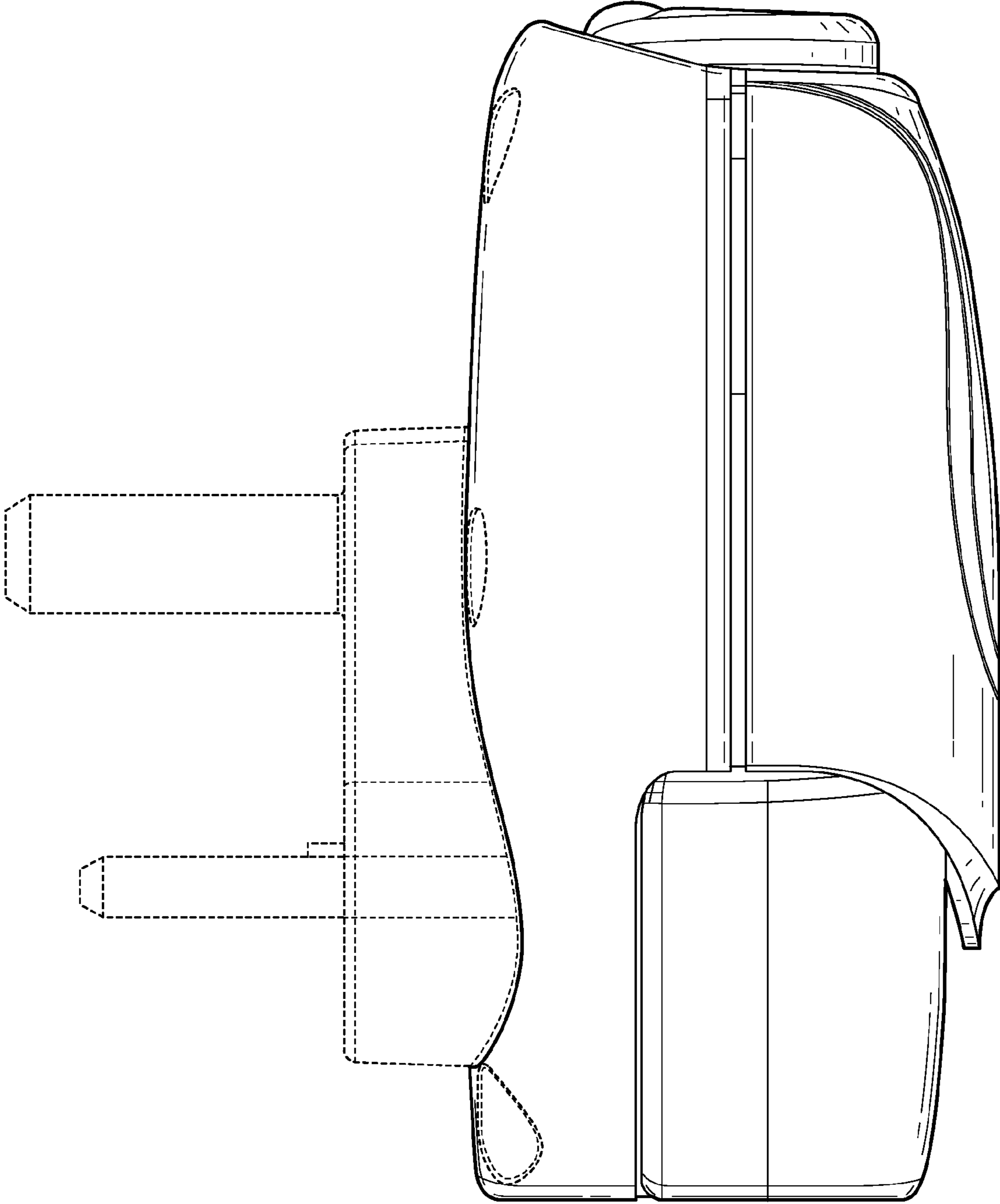


FIG. 4

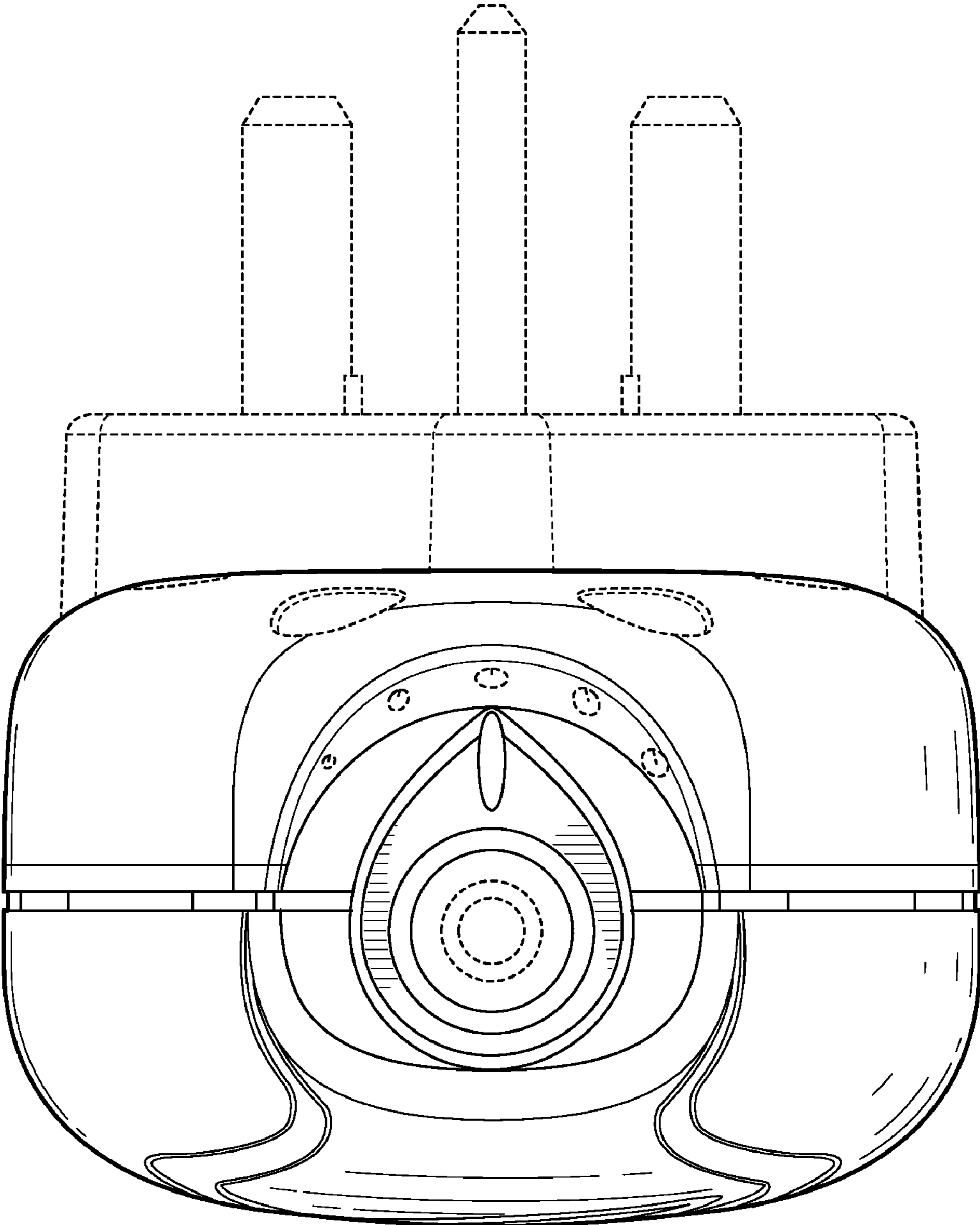


FIG. 5

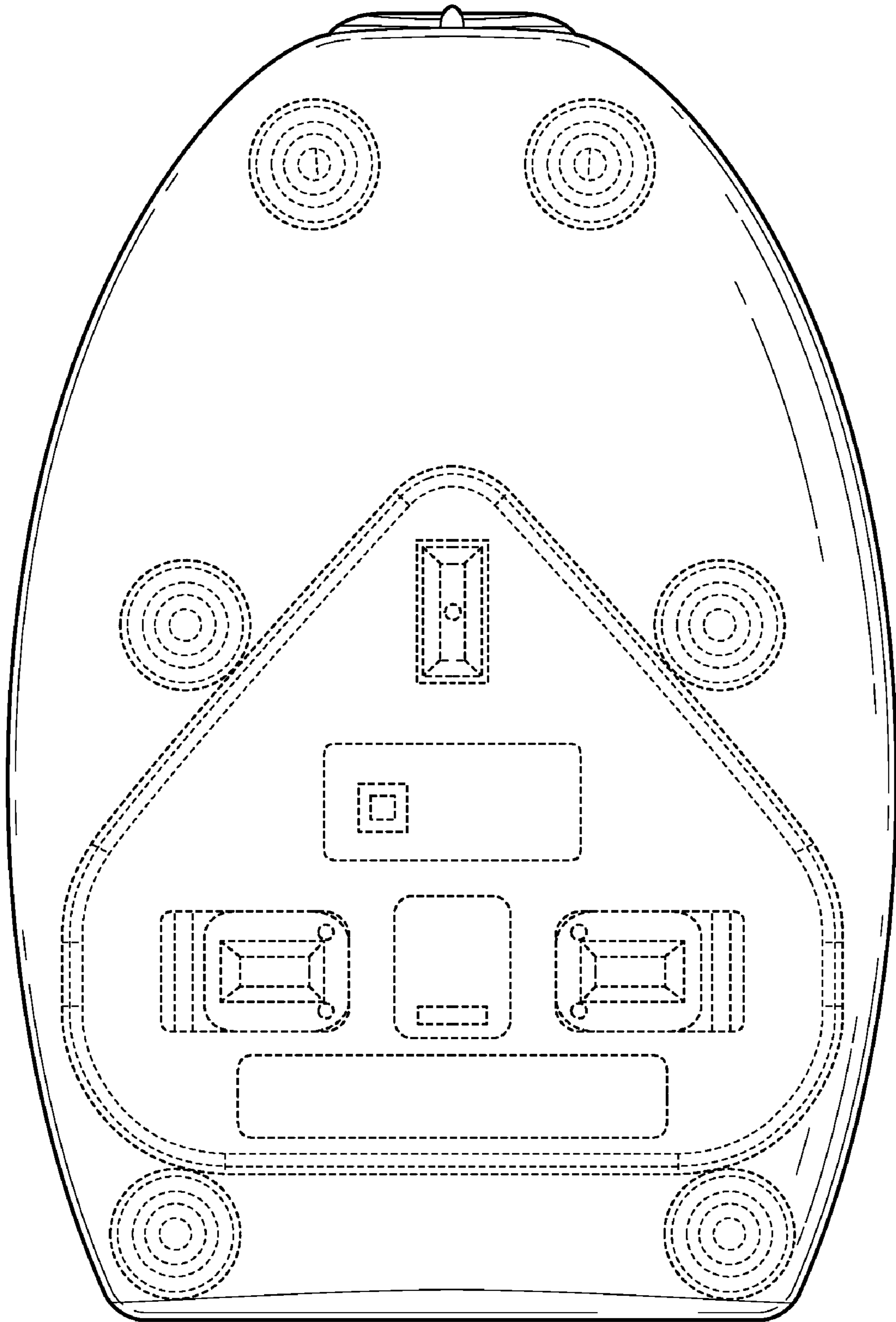


FIG. 6

UNITED STATES PATENT AND TRADEMARK OFFICE
CERTIFICATE OF CORRECTION

PATENT NO. : Des. 604,402 S
APPLICATION NO. : 29/332215
DATED : November 17, 2009
INVENTOR(S) : Ricard Tomas Vilarasa and Ruben Garcia Fabregas

Page 1 of 1

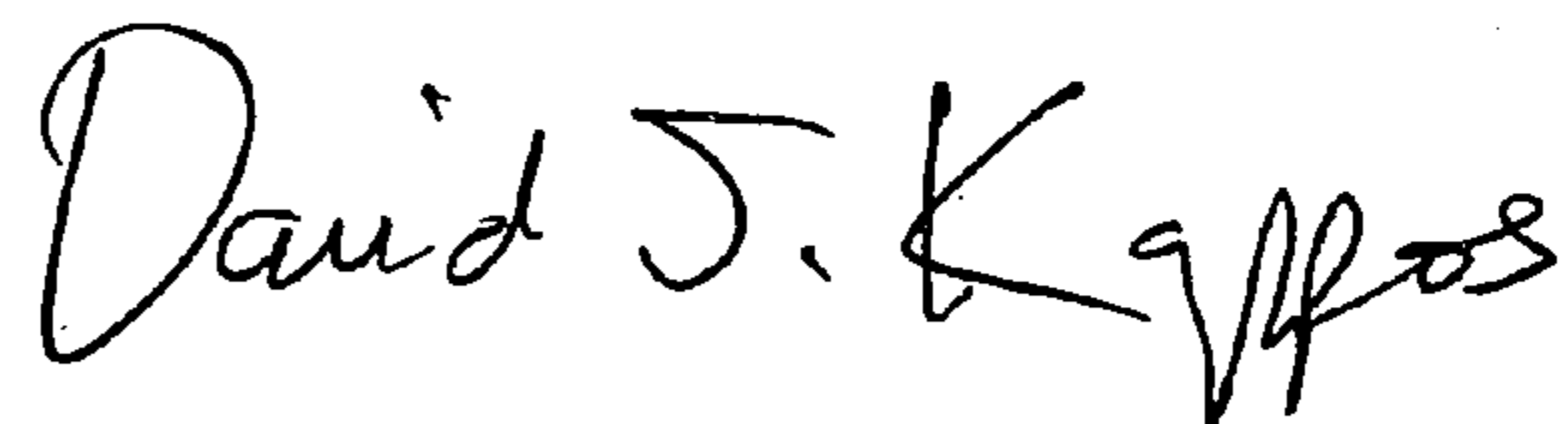
It is certified that error appears in the above-identified patent and that said Letters Patent is hereby corrected as shown below:

Title page, under Item (22) insert:

-- Foreign Application Priority Data
August 11, 2008 (EP) 000985452 --

Signed and Sealed this

Thirtieth Day of November, 2010



David J. Kappos
Director of the United States Patent and Trademark Office