



US00D604399S

(12) **United States Design Patent**
Aregger et al.

(10) **Patent No.:** **US D604,399 S**

(45) **Date of Patent:** **** Nov. 17, 2009**

(54) **AIR HEATER**

D405,170 S * 2/1999 Haeck D23/328
D573,703 S * 7/2008 Gosselin et al. D23/335

(75) Inventors: **Rolf Aregger**, Ebikon (CH); **Lukas Gisler**, Alpnach Dorf (CH)

* cited by examiner

(73) Assignee: **Leister Process Technologies**, Sarnen (CH)

Primary Examiner—T. Chase Nelson

Assistant Examiner—Ania K Dworzecka

(74) *Attorney, Agent, or Firm*—Bachman & LaPointe, P.C.

(**) Term: **14 Years**

(57) **CLAIM**

(21) Appl. No.: **29/303,112**

The ornamental design for an air heater, as shown and described.

(22) Filed: **Feb. 1, 2008**

(51) **LOC (9) Cl.** **23-03**

(52) **U.S. Cl.** **D23/317**

(58) **Field of Classification Search** D23/314,
D23/317, 323, 328, 330, 332–350, 386; 392/465,
392/497, 501; 165/163, 157; 126/304 R,
126/305, 306

See application file for complete search history.

DESCRIPTION

FIG. 1 is a rear perspective view of a first embodiment of an air heater showing our new design.

FIG. 2 is a front perspective view of the air heater of FIG. 1.

FIG. 3 is a top view of the air heater of FIG. 1.

FIG. 4 is a rear perspective view of a second embodiment of an air heater showing our new design.

FIG. 5 is a front perspective view of the air heater of FIG. 4; and,

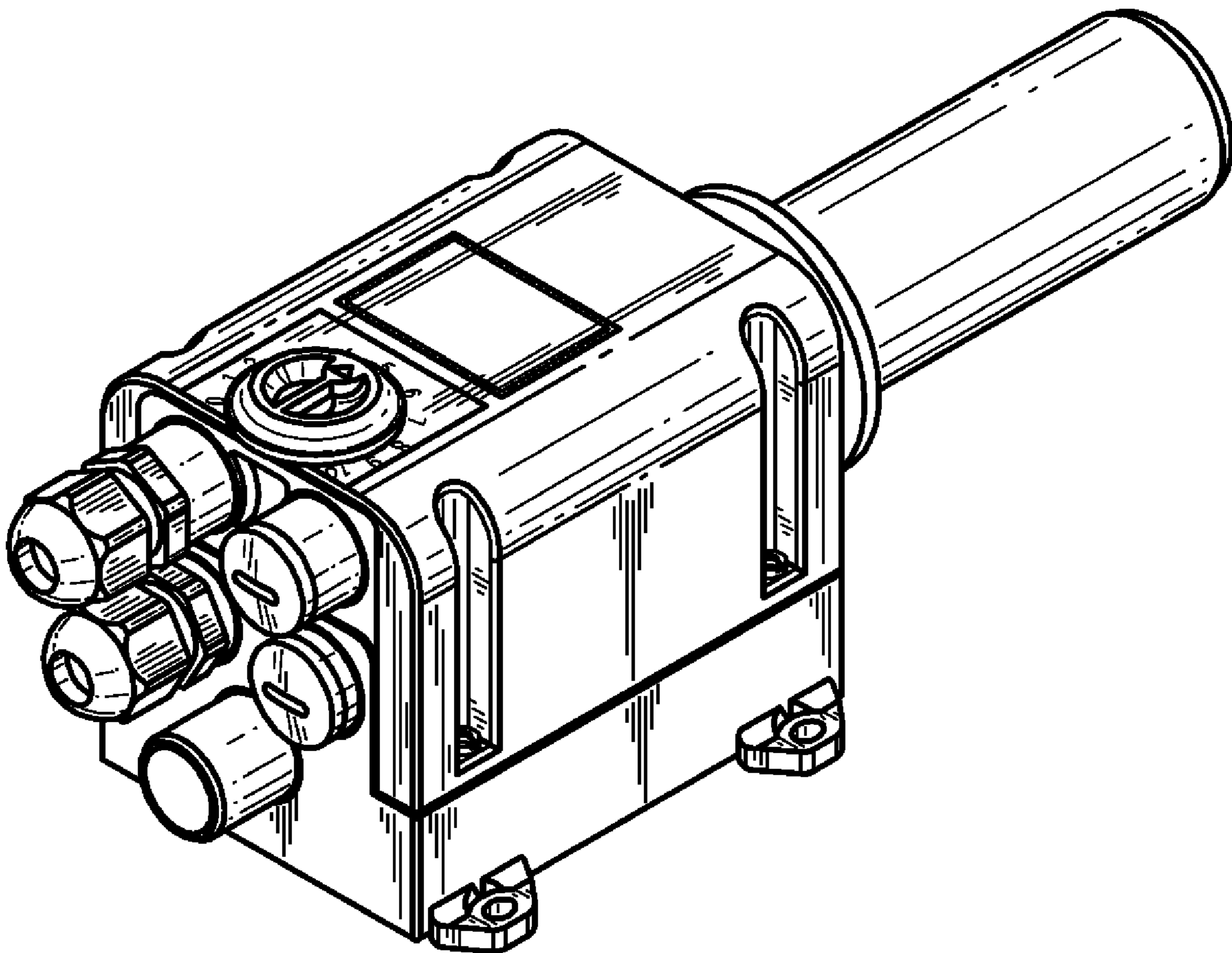
FIG. 6 is a top view of the air heater of FIG. 4.

(56) **References Cited**

U.S. PATENT DOCUMENTS

D105,364 S * 7/1937 Herr D23/416
D105,999 S * 9/1937 Morgan D23/416
D163,671 S * 6/1951 Beckett D23/416

1 Claim, 2 Drawing Sheets



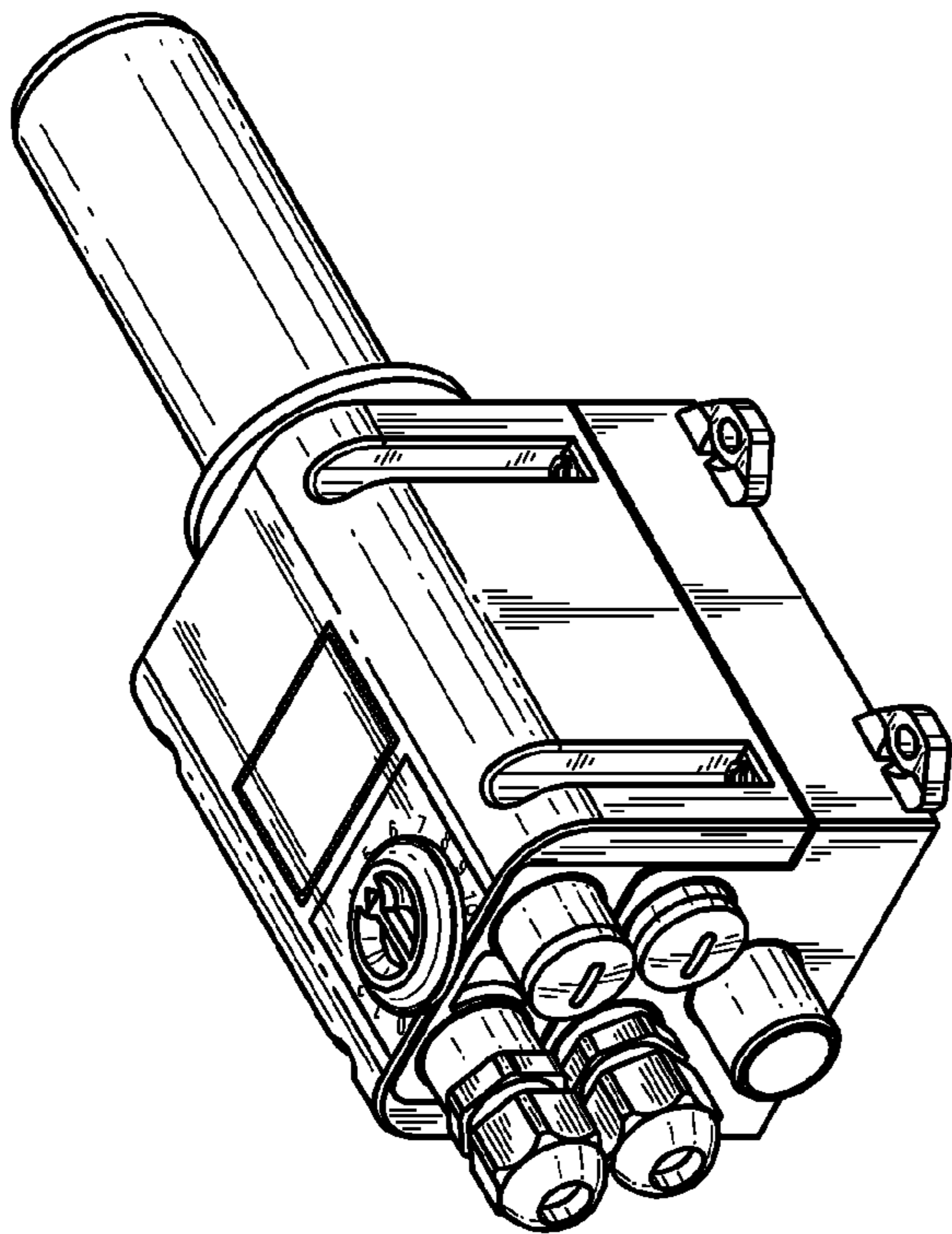


FIG. 1

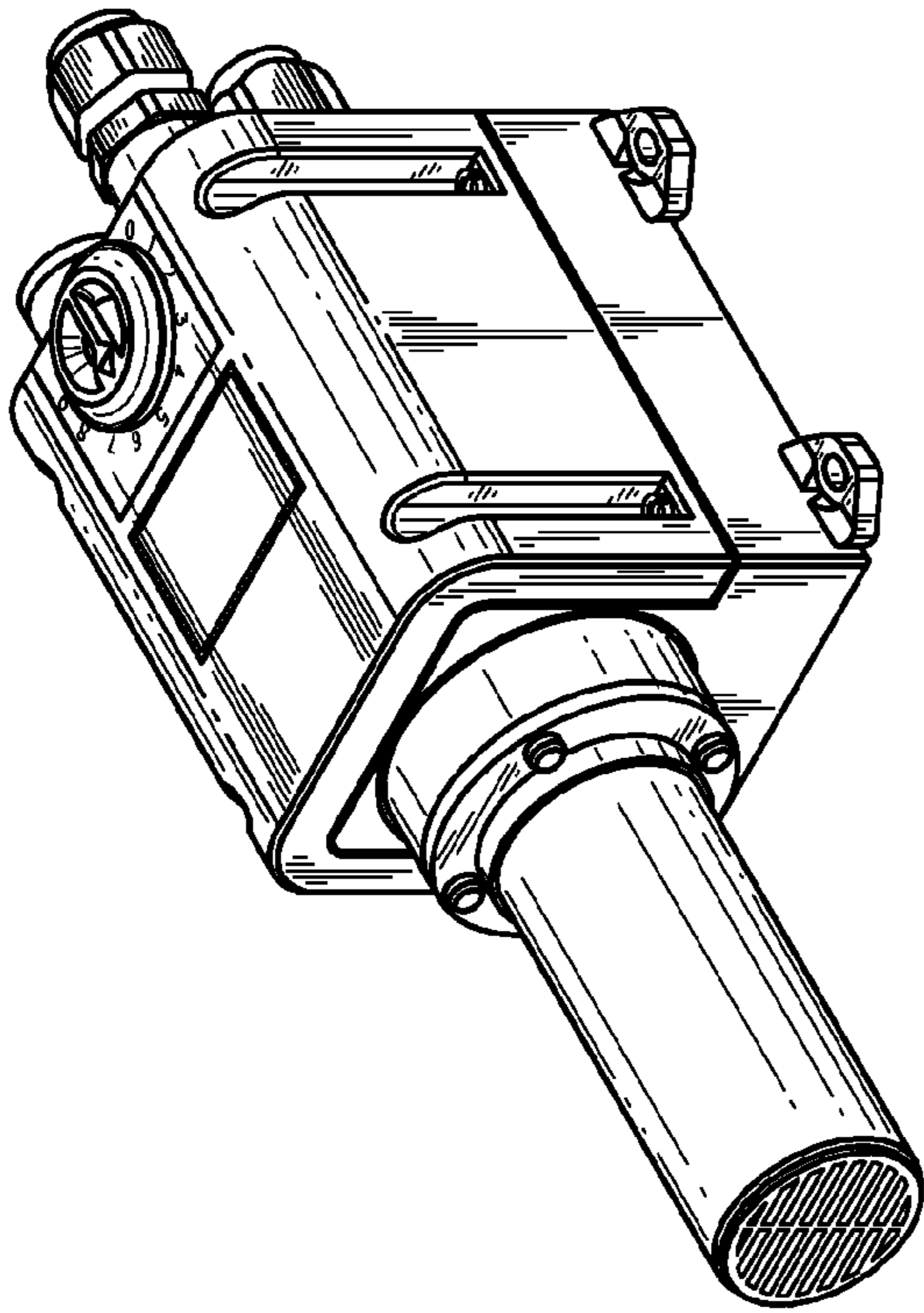


FIG. 2

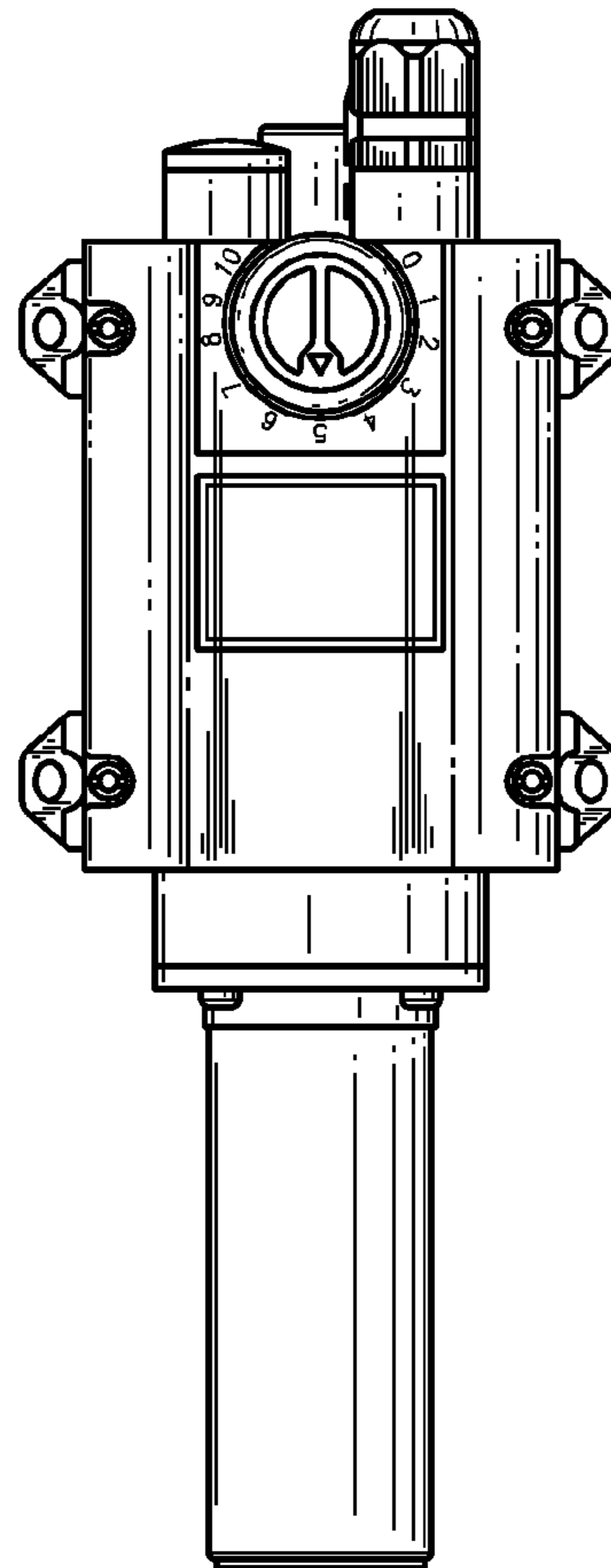


FIG. 3

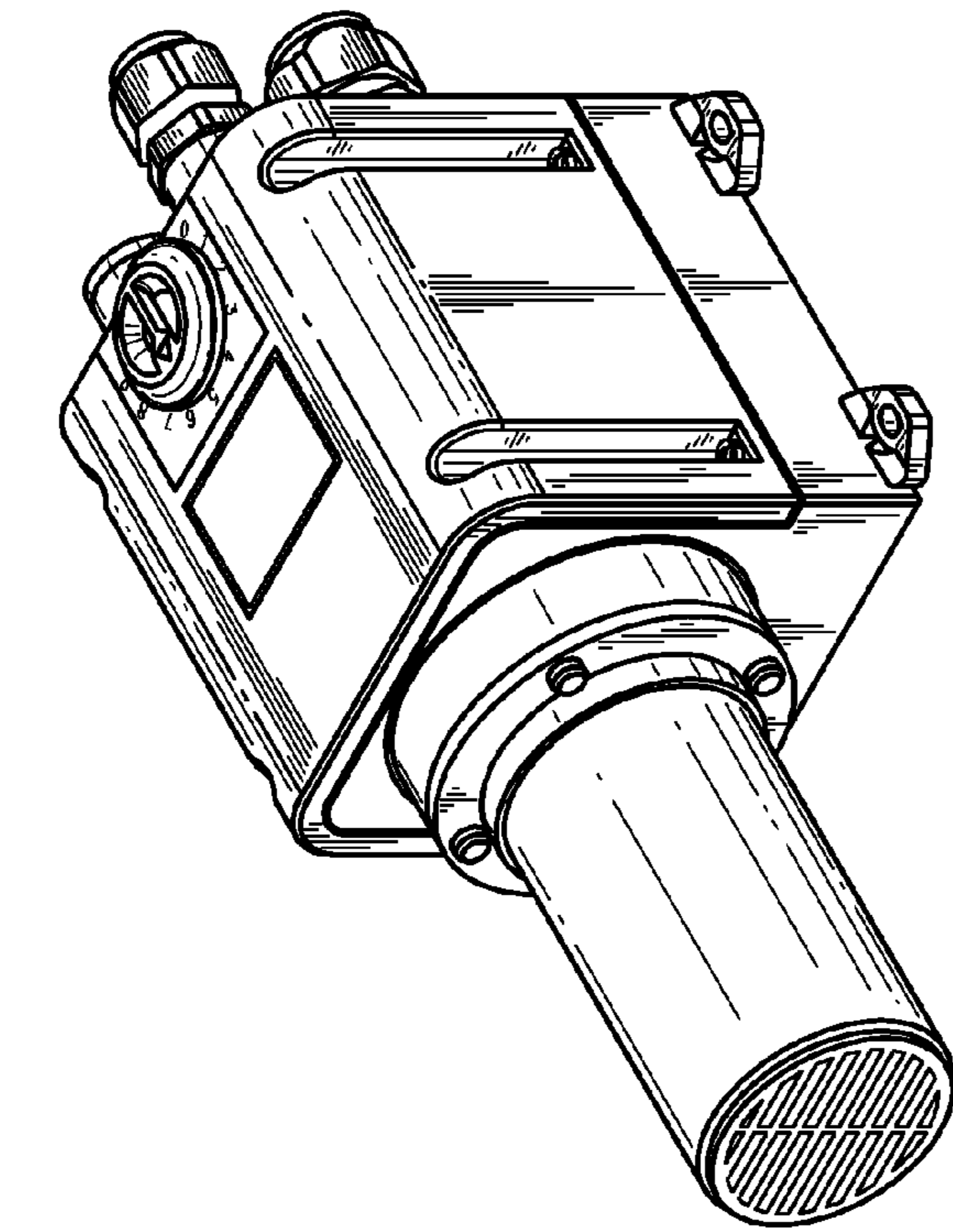


FIG. 5

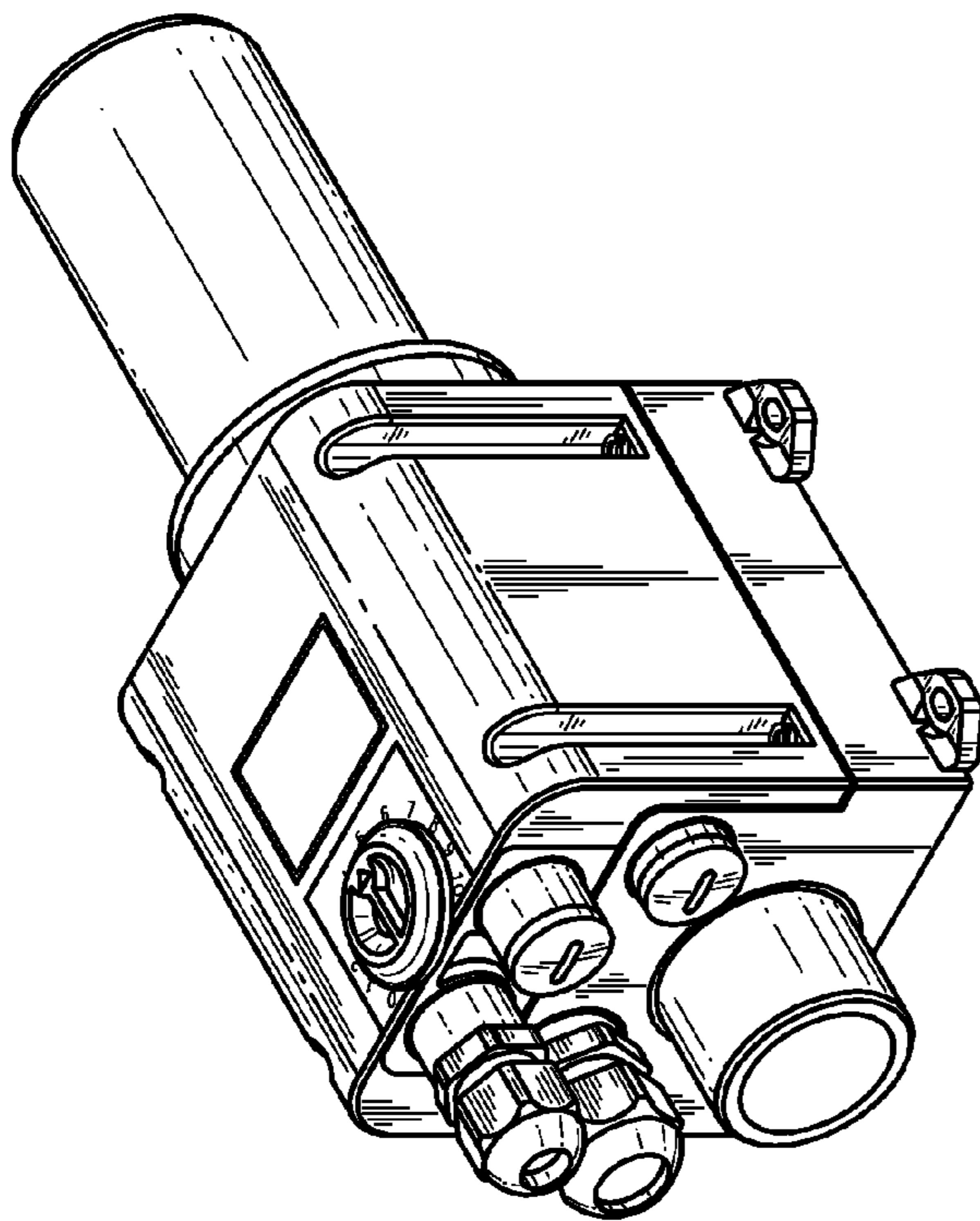


FIG. 4

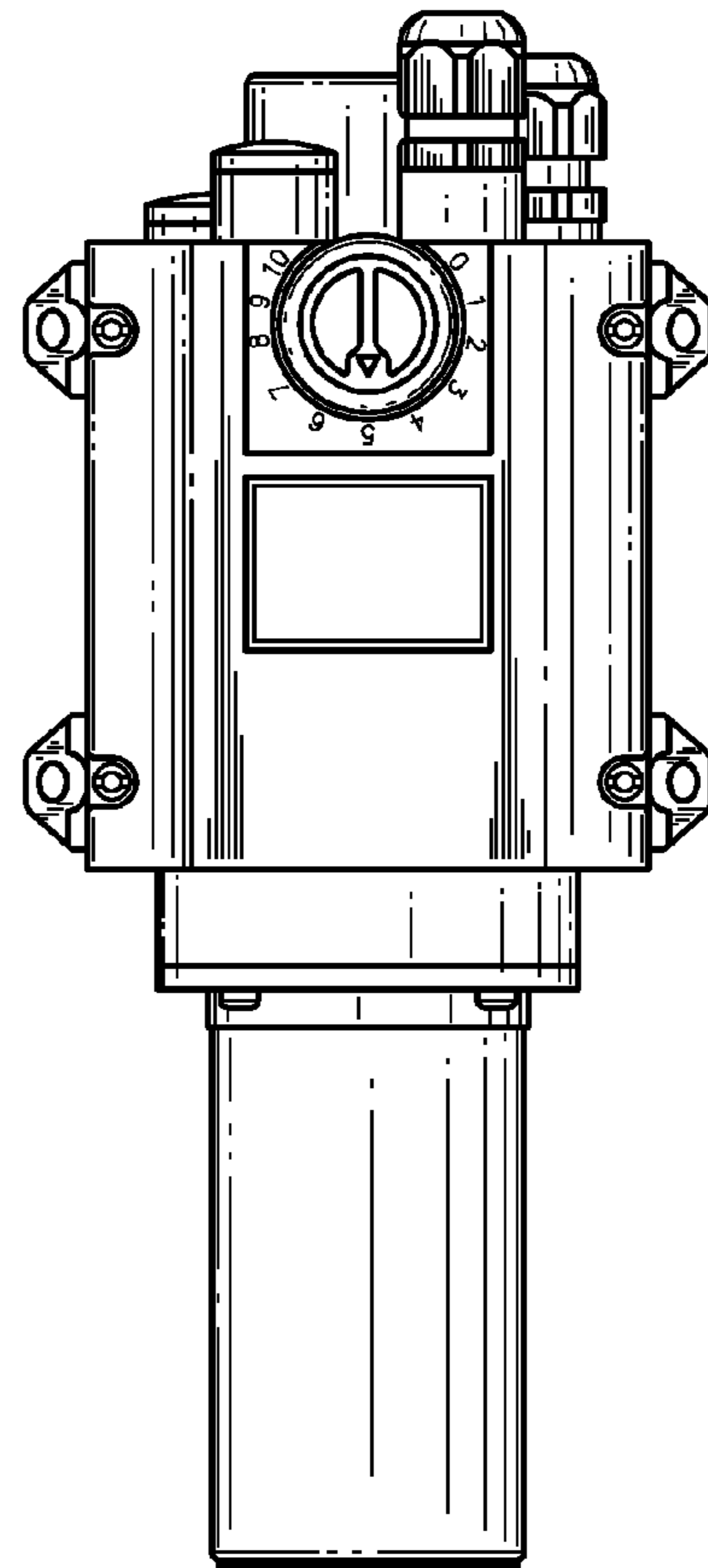


FIG. 6