



US00D604397S

(12) **United States Design Patent**
Lin

(10) **Patent No.:** **US D604,397 S**

(45) **Date of Patent:** **** Nov. 17, 2009**

(54) **FAUCET COVER**

(75) Inventor: **Wen-Tsung Lin**, Dacheng Township,
Changhua County (TW)

(73) Assignee: **Hsue Sam Enterprise Co. Ltd.**,
Changhua County (TW)

(**) Term: **14 Years**

(21) Appl. No.: **29/328,553**

(22) Filed: **Nov. 26, 2008**

(51) **LOC (9) Cl.** **23-01**

(52) **U.S. Cl.** **D23/238; D23/249; D23/255**

(58) **Field of Classification Search** D23/200,
D23/238-257; D6/512, 546, 550; D8/300,
D8/307-308, 310-312, 321; 4/675-678,
4/695; 137/801; 16/110.1, 441

See application file for complete search history.

(56) **References Cited**

U.S. PATENT DOCUMENTS

D318,907 S * 8/1991 Kohler et al. D23/257
D347,883 S * 6/1994 Kolada et al. D23/257
D348,510 S * 7/1994 Gottwald D23/257
D352,769 S * 11/1994 Formgren D23/257
D434,258 S * 11/2000 Goodwin et al. D6/542

D461,542 S * 8/2002 Shieh D23/255
D468,809 S * 1/2003 Blomstrom D23/255
D469,518 S * 1/2003 Bates et al. D23/255
2003/0221254 A1 * 12/2003 McNerney et al. 4/695

* cited by examiner

Primary Examiner—T. Chase Nelson

Assistant Examiner—Mark Cavanna

(74) *Attorney, Agent, or Firm*—Alan Kamrath; Kamrath &
Associates PA

(57) **CLAIM**

The ornamental design for a faucet cover, as shown and
described.

DESCRIPTION

FIG. 1 is a slightly reduced perspective view of a faucet cover
showing my design;

FIG. 2 is a front elevational view thereof;

FIG. 3 is a rear elevational view thereof;

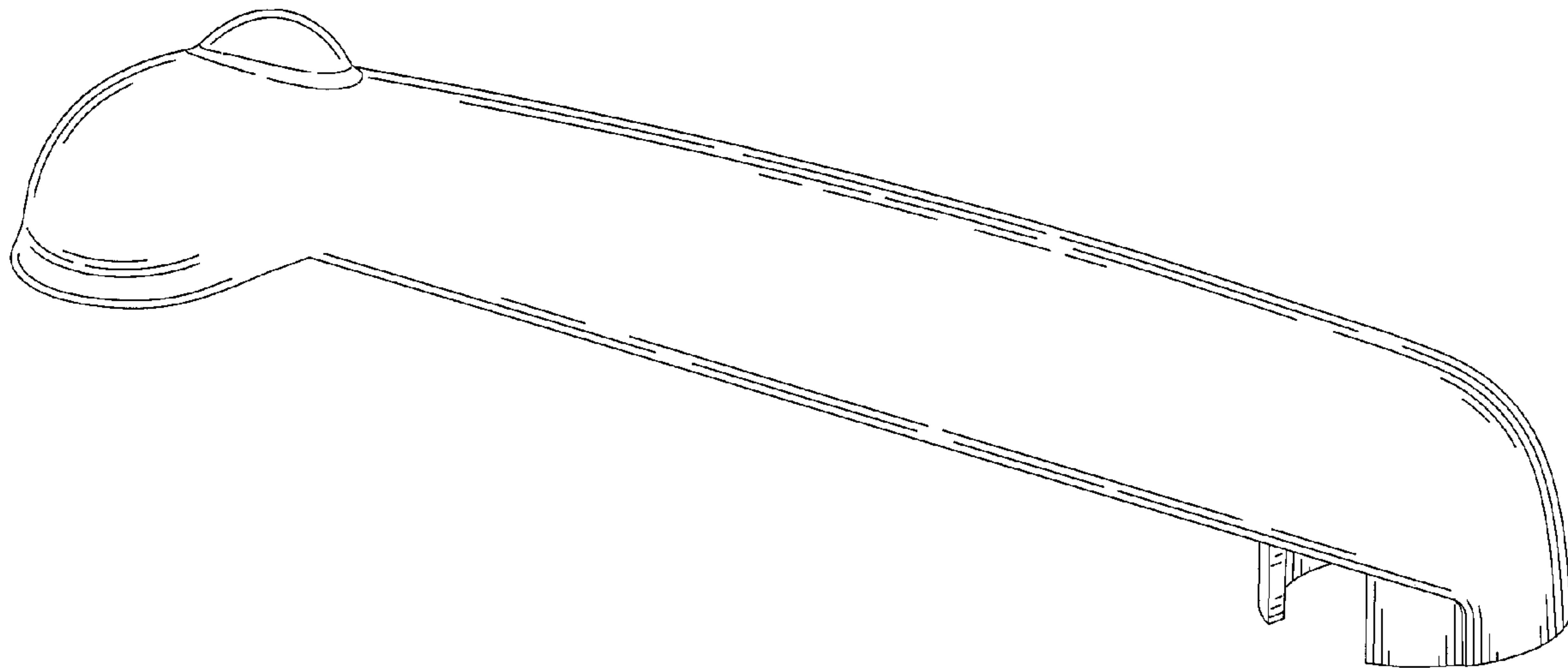
FIG. 4 is a left side elevational view thereof;

FIG. 5 is a right side elevational view thereof;

FIG. 6 is a top plan view thereof; and,

FIG. 7 is a bottom plan view thereof.

1 Claim, 5 Drawing Sheets



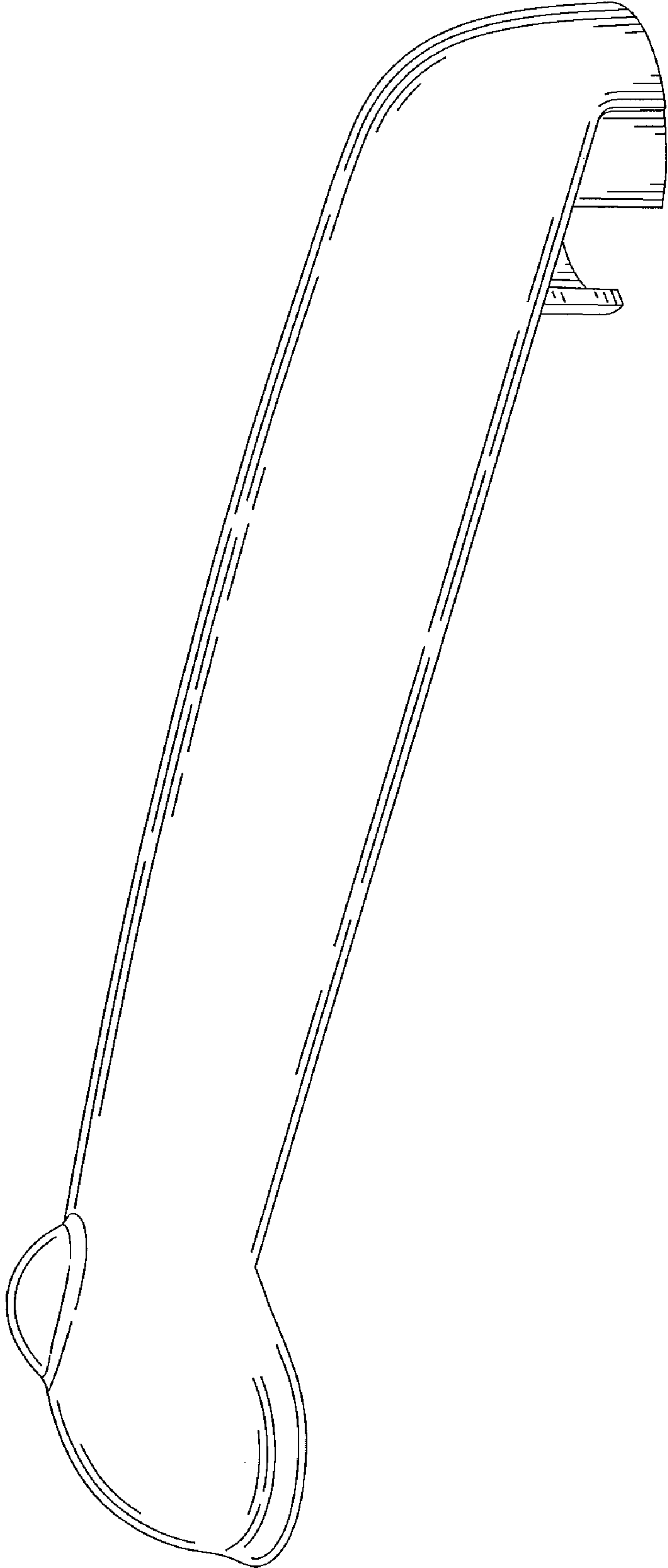


FIG. 1

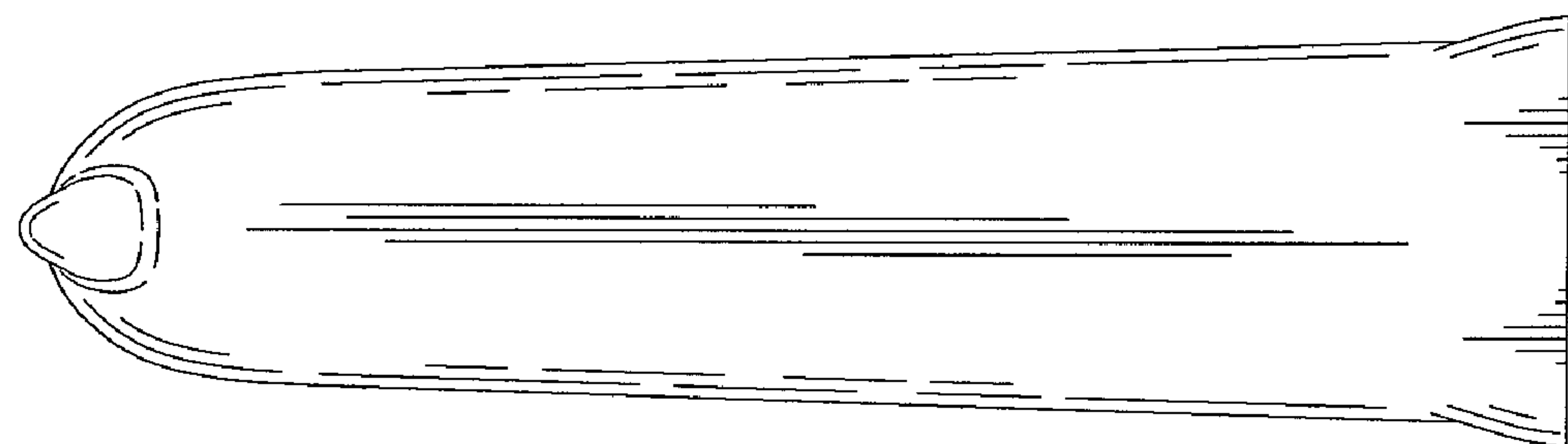


FIG. 3

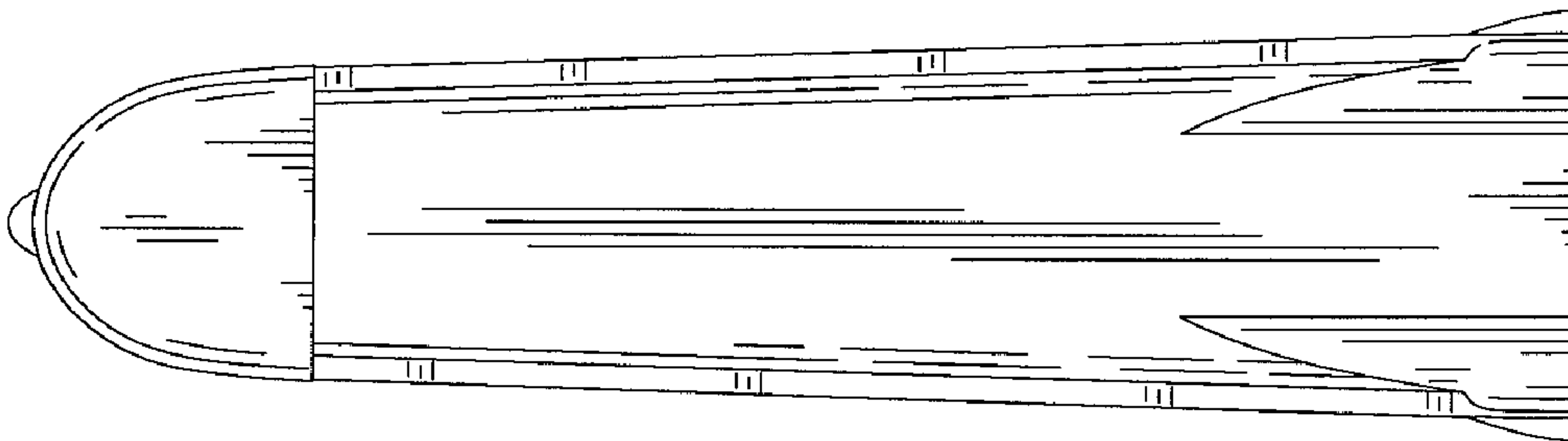


FIG. 2

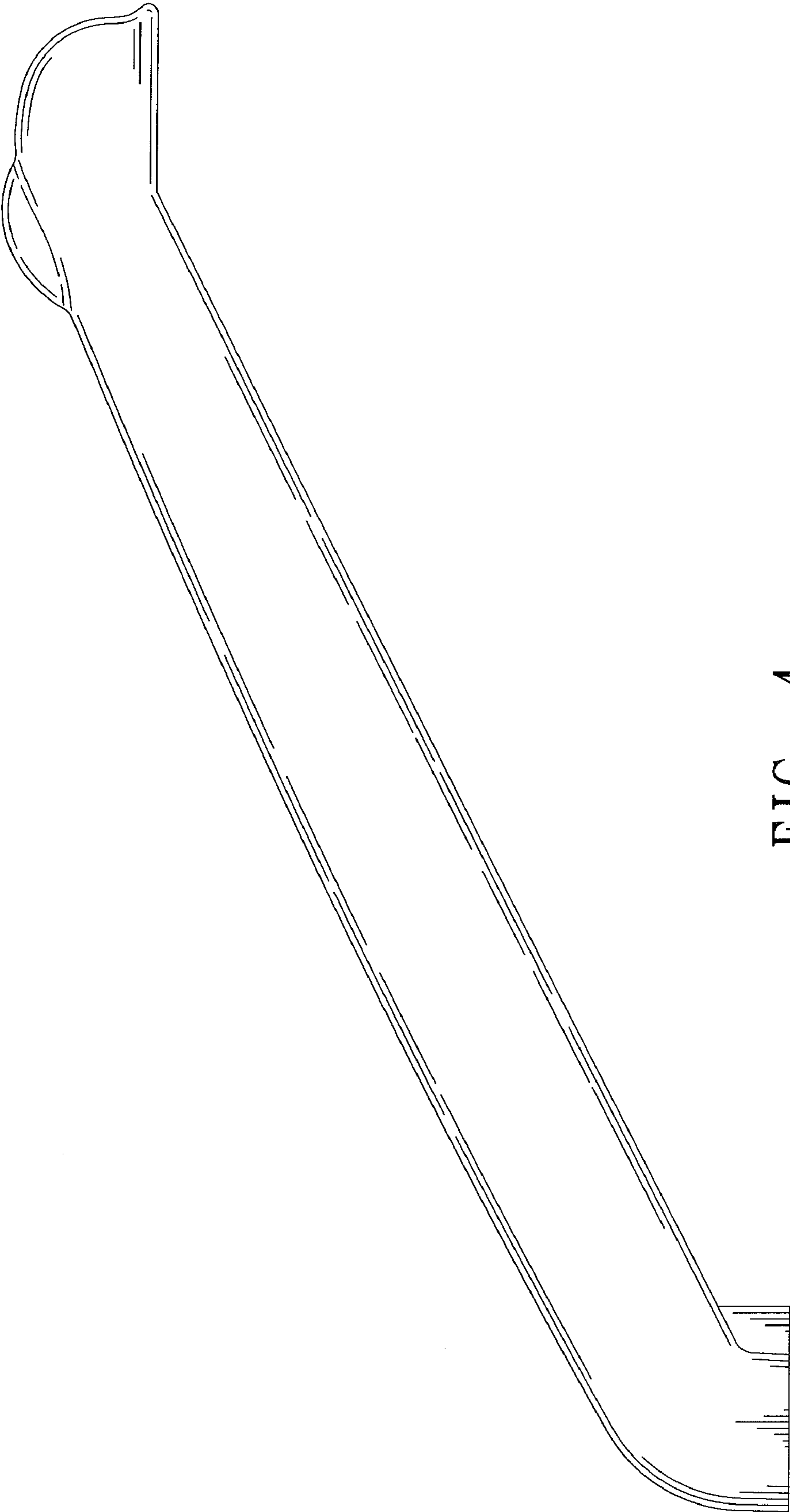


FIG. 4

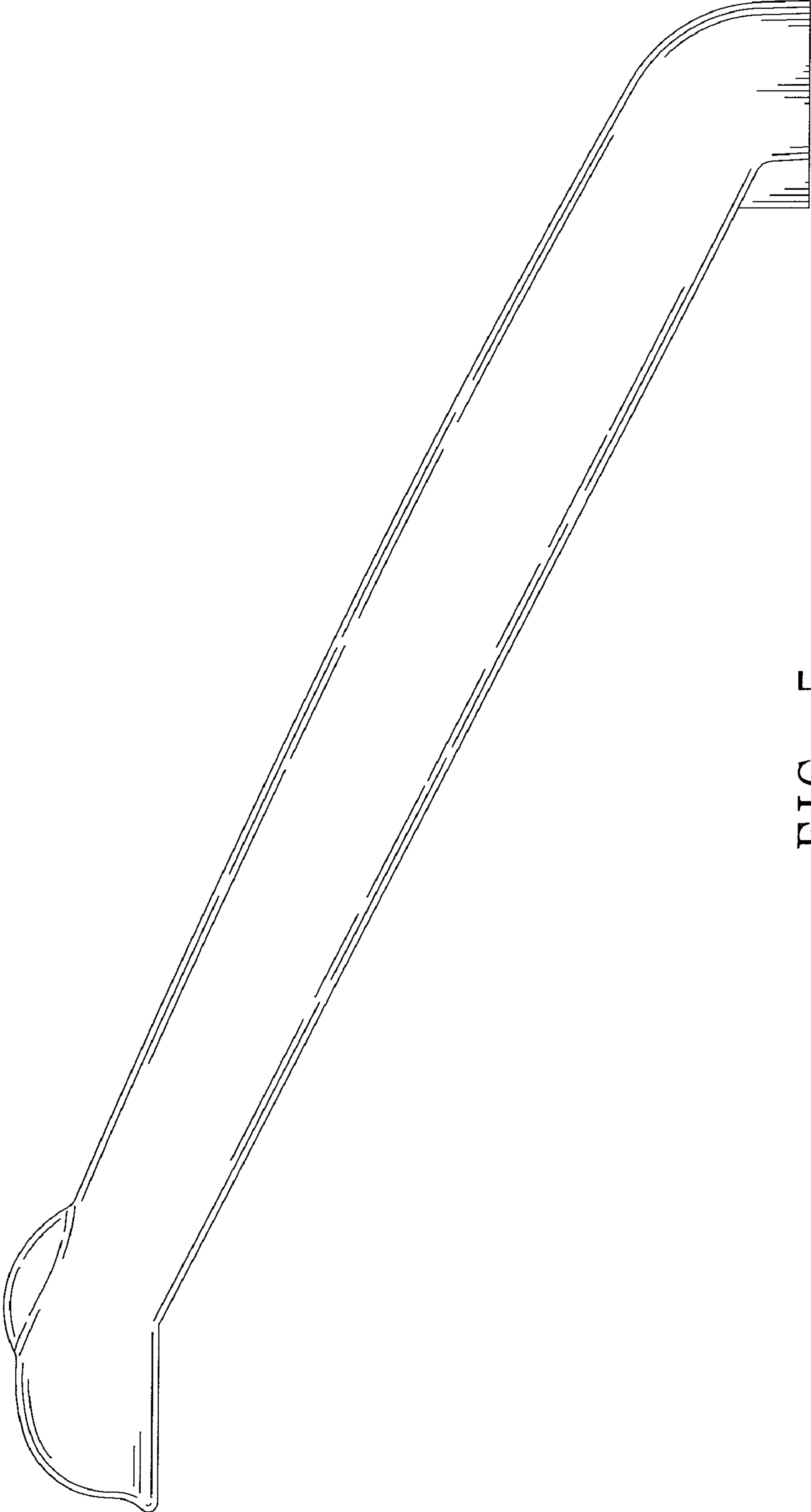


FIG. 5

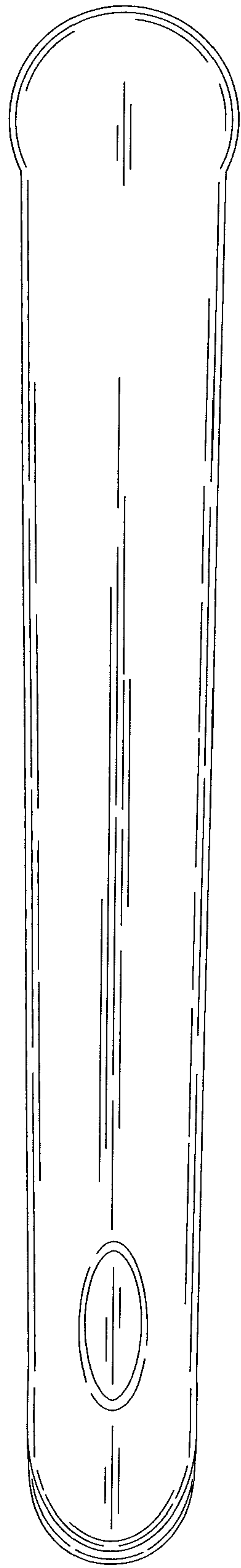


FIG. 6

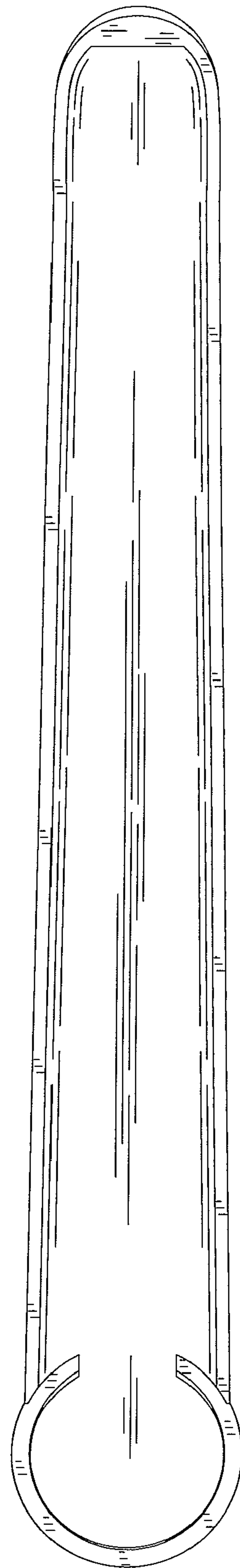


FIG. 7