



US00D604392S

(12) **United States Design Patent**  
**Schoenherr et al.**

(10) **Patent No.:** **US D604,392 S**

(45) **Date of Patent:** **\*\* Nov. 17, 2009**

(54) **HANDSHOWER**

(75) Inventors: **Tom Schoenherr**, Stuttgart (DE); **Sven Feustel**, Stuttgart (DE)

(73) Assignee: **Hansgrohe AG**, Schiltach (DE)

(\*\*) Term: **14 Years**

(21) Appl. No.: **29/333,849**

(22) Filed: **Mar. 16, 2009**

(30) **Foreign Application Priority Data**

Sep. 26, 2008 (EP) ..... 001011415-0020

(51) **LOC (9) Cl.** ..... **23-01**

(52) **U.S. Cl.** ..... **D23/223**

(58) **Field of Classification Search** ..... D23/213,  
D23/223, 226, 229–230; 239/282–283, 394;  
4/615

See application file for complete search history.

(56) **References Cited**

**U.S. PATENT DOCUMENTS**

D228,908 S \* 10/1973 Juhlin ..... D23/223  
D552,211 S \* 10/2007 Toyohara ..... D23/213  
D557,766 S \* 12/2007 Hoernig ..... D23/223  
D562,936 S \* 2/2008 Garner ..... D23/213

D575,845 S \* 8/2008 Lobermeier et al. .... D23/223

D578,181 S \* 10/2008 Pan ..... D23/213

D590,917 S \* 4/2009 Schoenherr et al. .... D23/223

D594,928 S \* 6/2009 Beschi ..... D23/213

\* cited by examiner

*Primary Examiner*—Robin V Webster

(74) *Attorney, Agent, or Firm*—Nirav D. Parikh; Edgar A. Zarins

(57) **CLAIM**

The ornamental design for a handshower, as shown and described.

**DESCRIPTION**

FIG. 1 is a perspective view of a handshower showing our design;

FIG. 2 is a front elevational view thereof;

FIG. 3 is a rear elevational view thereof;

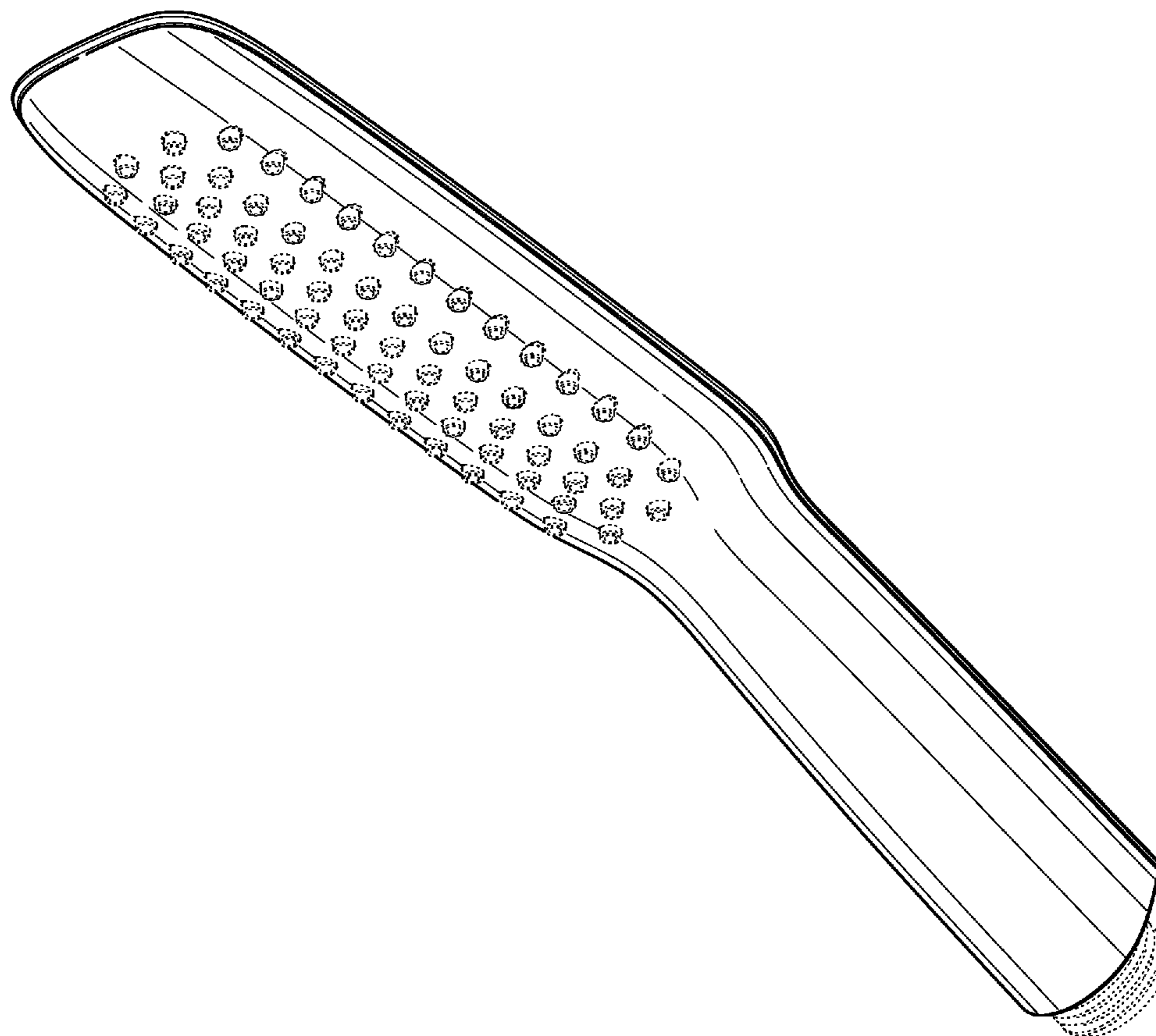
FIG. 4 is a left side elevational view thereof; the right side elevational view being a mirror image thereof;

FIG. 5 is a bottom plan view thereof; and,

FIG. 6 is a top plan view thereof.

The broken lines in the drawings represent unclaimed portions of the design and form no part thereof.

**1 Claim, 6 Drawing Sheets**



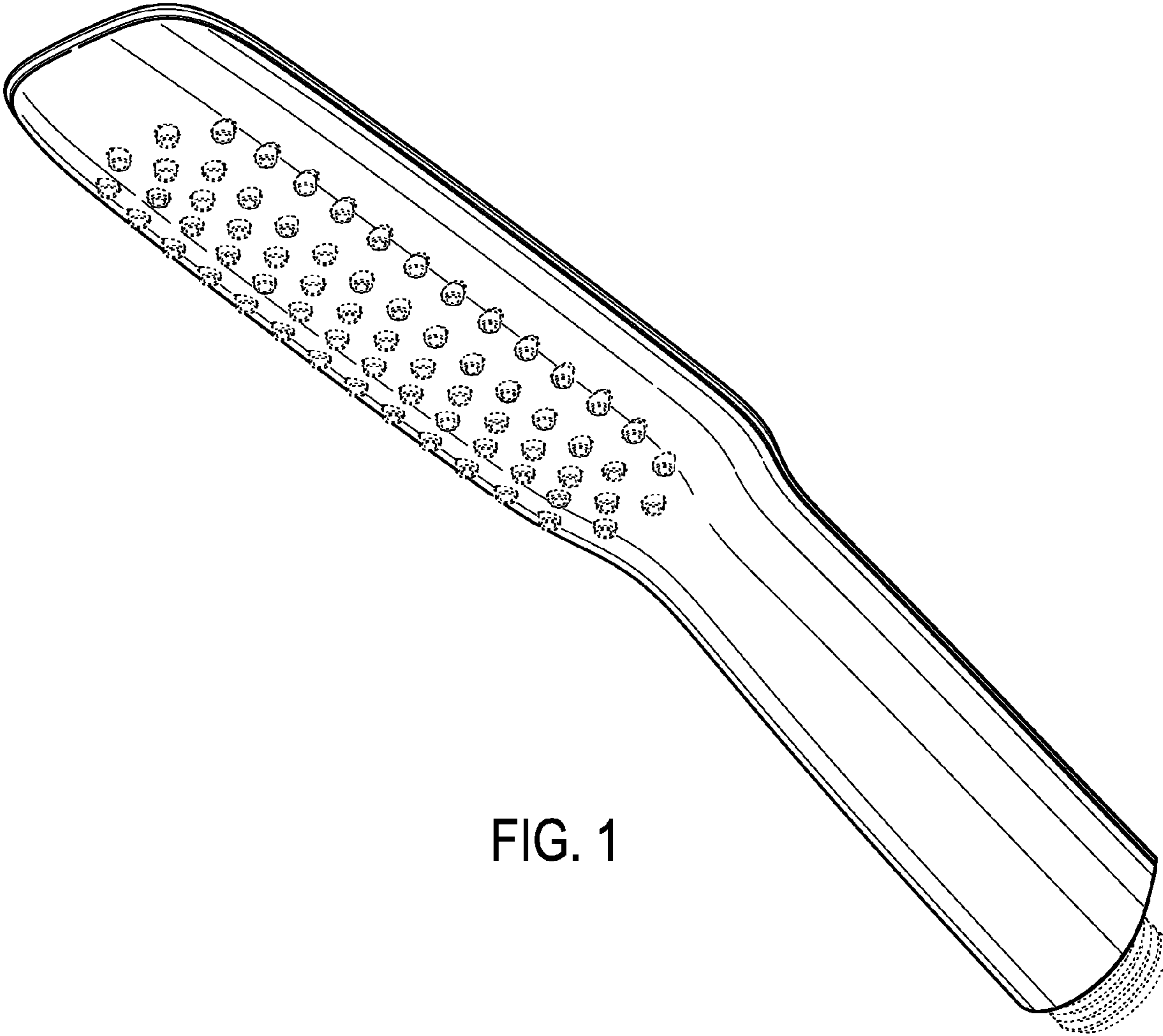
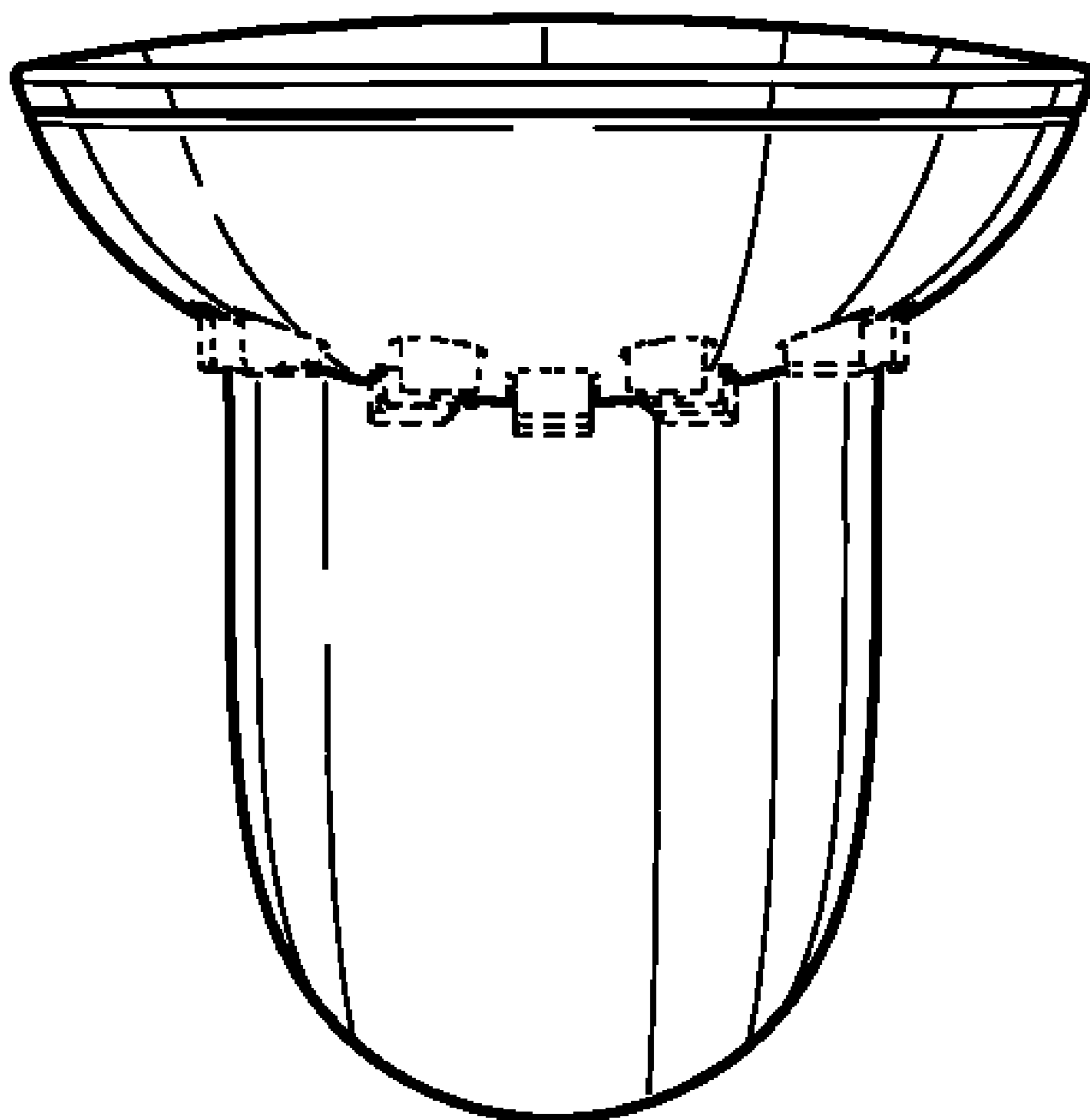


FIG. 1



**FIG. 2**

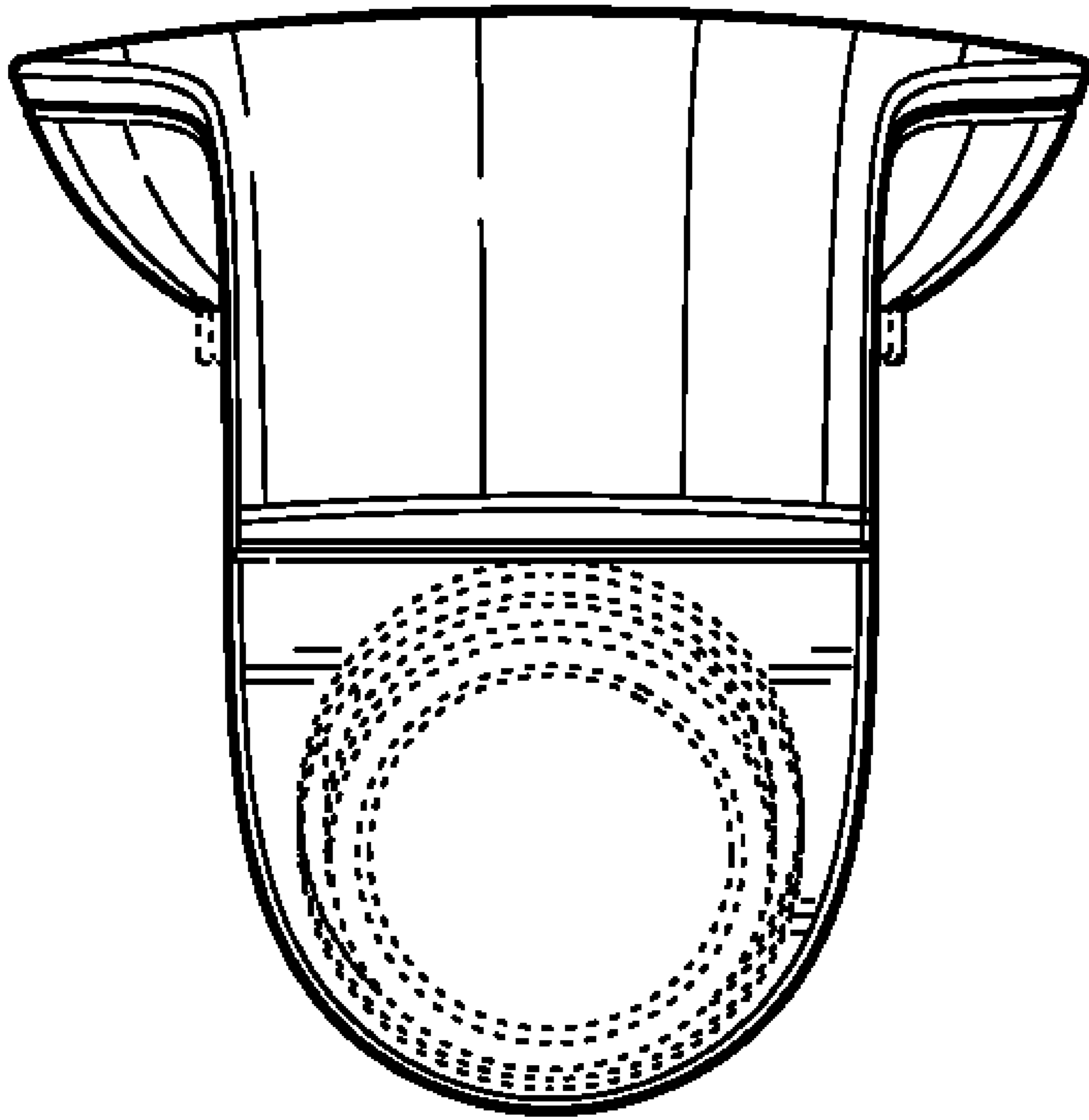


FIG. 3

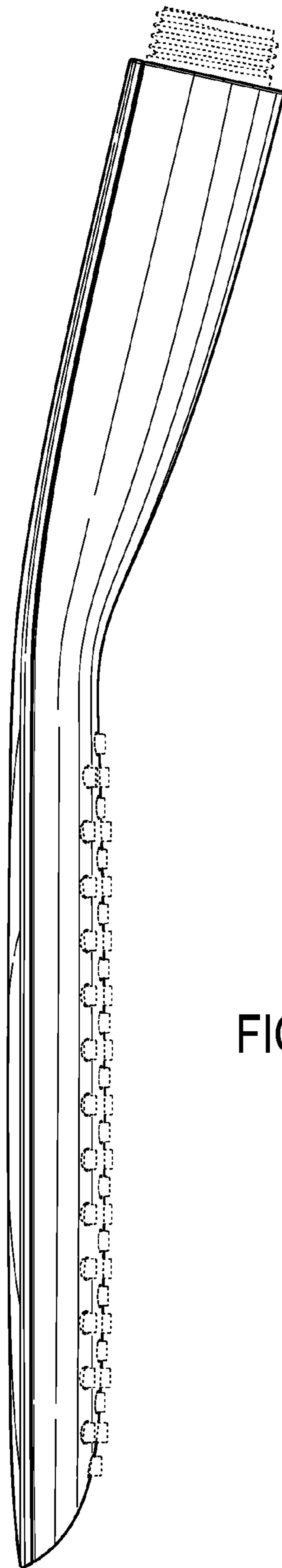


FIG. 4

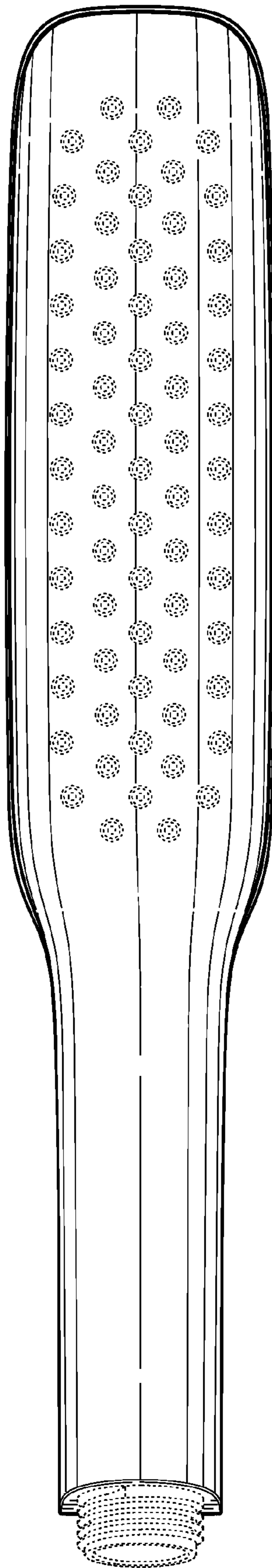


FIG. 5

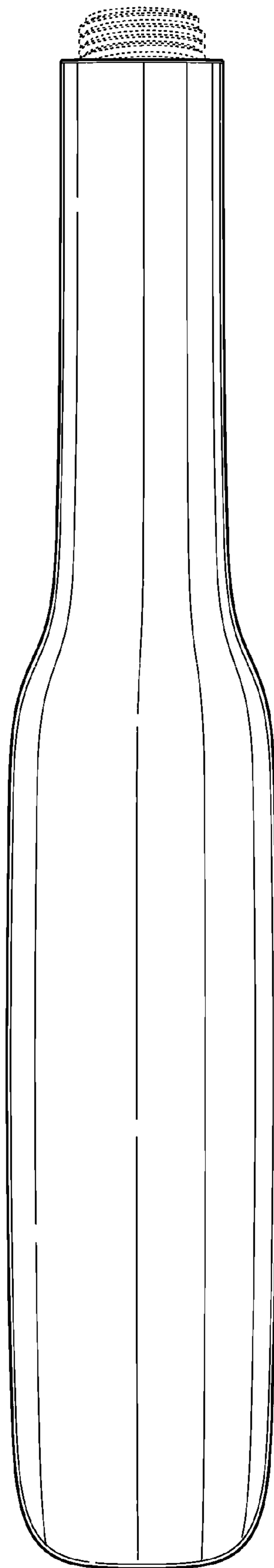


FIG. 6