



US00D604391S

(12) **United States Design Patent**  
**Christianson**

(10) **Patent No.:** **US D604,391 S**

(45) **Date of Patent:** **\*\* Nov. 17, 2009**

(54) **HANDHELD SHOWERHEAD WITH VALVE**

(75) Inventor: **Thomas R. Christianson**, Napa, CA  
(US)

(73) Assignee: **ShowerTek, Inc.**, Napa, CA (US)

(\*\*) Term: **14 Years**

(21) Appl. No.: **29/330,326**

(22) Filed: **Jan. 5, 2009**

(51) **LOC (9) Cl.** ..... **23-01**

(52) **U.S. Cl.** ..... **D23/223**

(58) **Field of Classification Search** ..... D23/213,  
D23/223, 226; 4/615; 239/394, 462, 587.1  
See application file for complete search history.

(56) **References Cited**

**U.S. PATENT DOCUMENTS**

D431,278 S *	9/2000	Tse	.....	D23/223
D440,630 S *	4/2001	Gottwald	.....	D23/223
6,511,001 B1 *	1/2003	Huang	.....	239/526
6,540,163 B1 *	4/2003	Huang	.....	239/587.5

D516,671 S *	3/2006	Wu et al.	.....	D23/223
D530,392 S *	10/2006	Tse	.....	D23/223
D581,484 S *	11/2008	Schoenherr et al.	.....	D23/223

\* cited by examiner

*Primary Examiner*—Robin V Webster

(74) *Attorney, Agent, or Firm*—David Pressman

(57) **CLAIM**

The ornamental design for a handheld showerhead with valve, as shown and described.

**DESCRIPTION**

FIG. 1 is a front view of my handheld showerhead with valve.

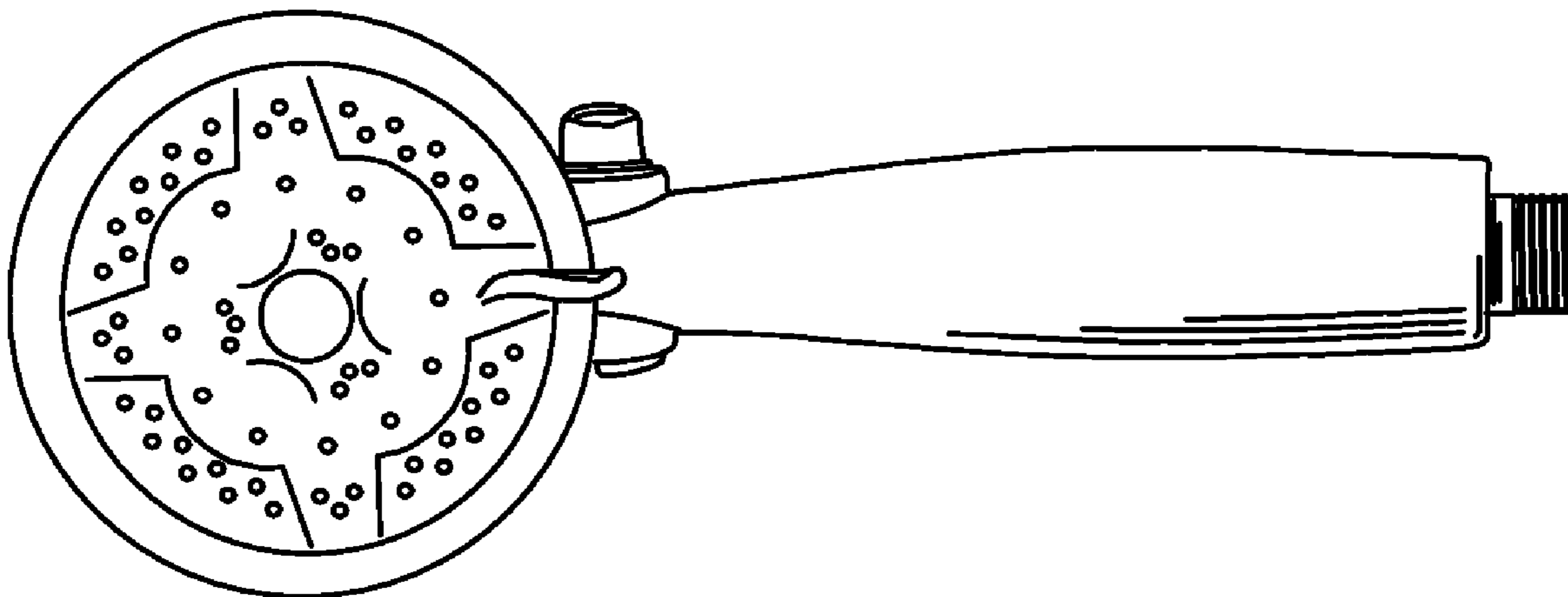
FIG. 2 is a view of the rear of the showerhead of FIG. 1.

FIG. 3 is a left side elevational view of the showerhead of FIG. 1.

FIG. 4 is a right side elevations view of the showerhead of FIG. 1; and,

FIG. 5 is a perspective view of the showerhead taken between the front and right side.

**1 Claim, 2 Drawing Sheets**



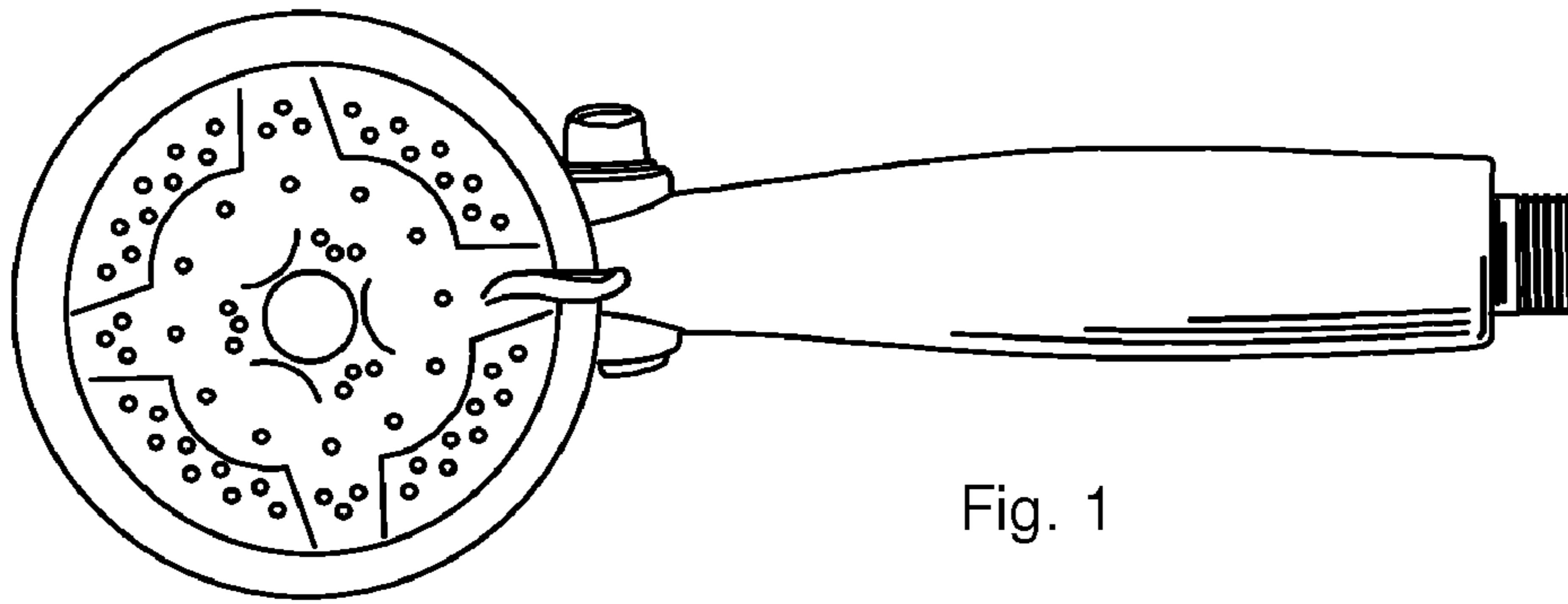


Fig. 1

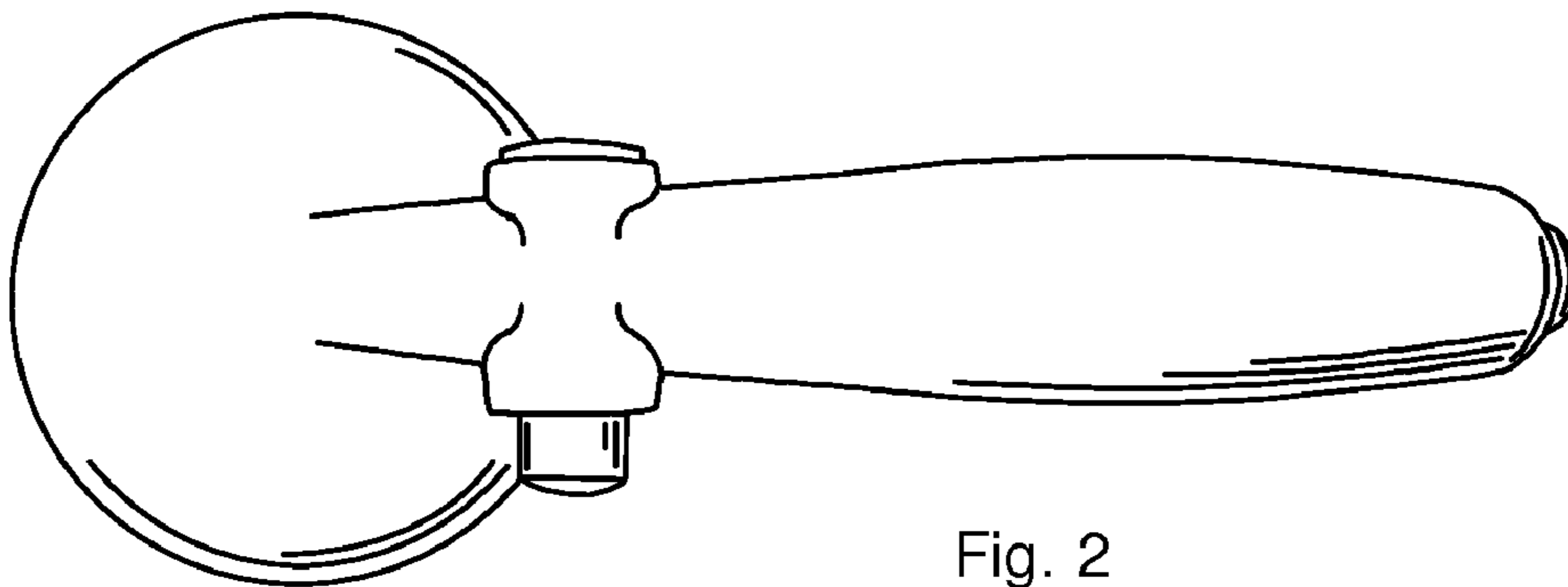


Fig. 2

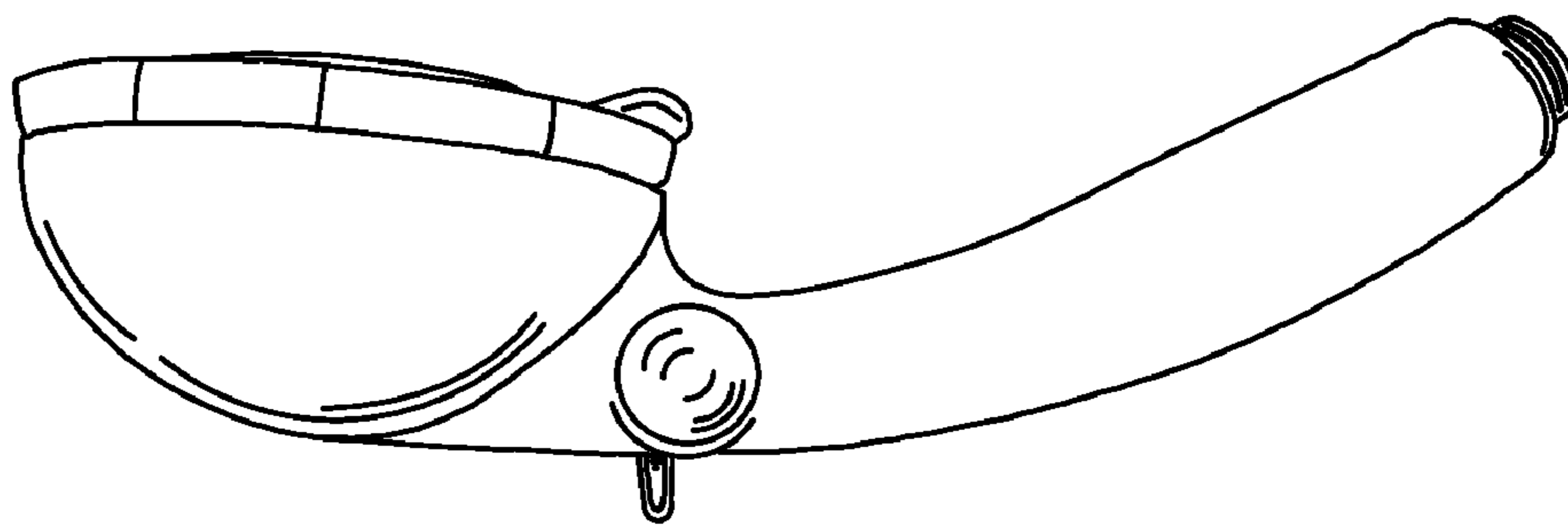


Fig. 3

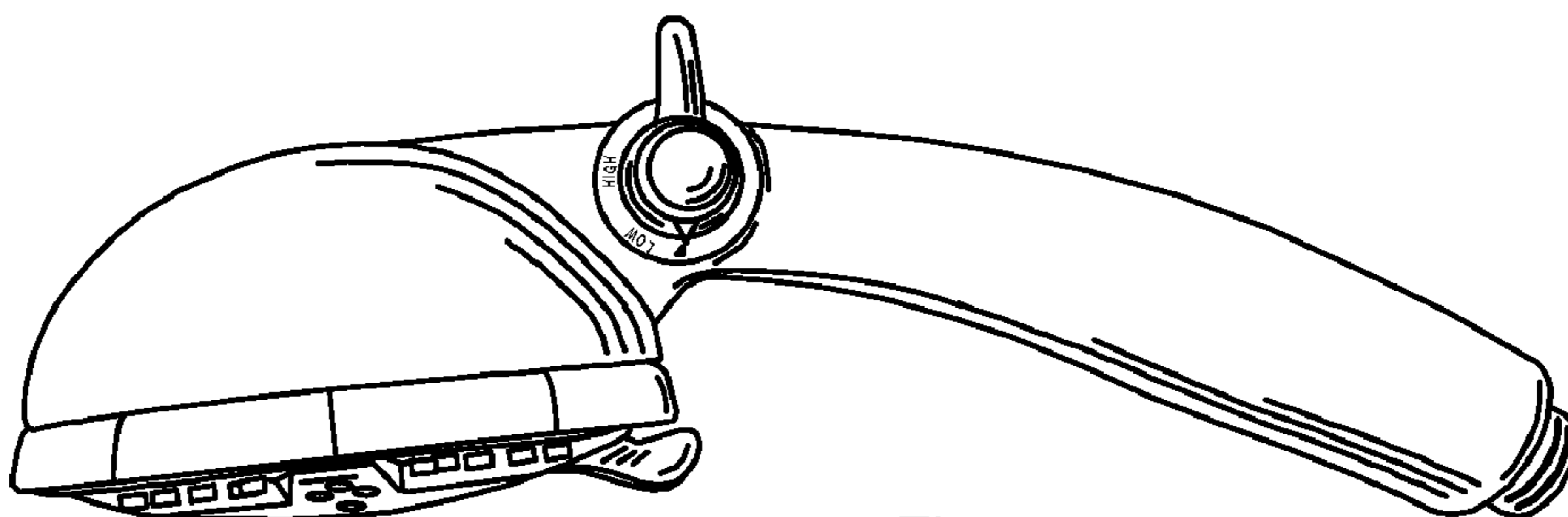


Fig. 4

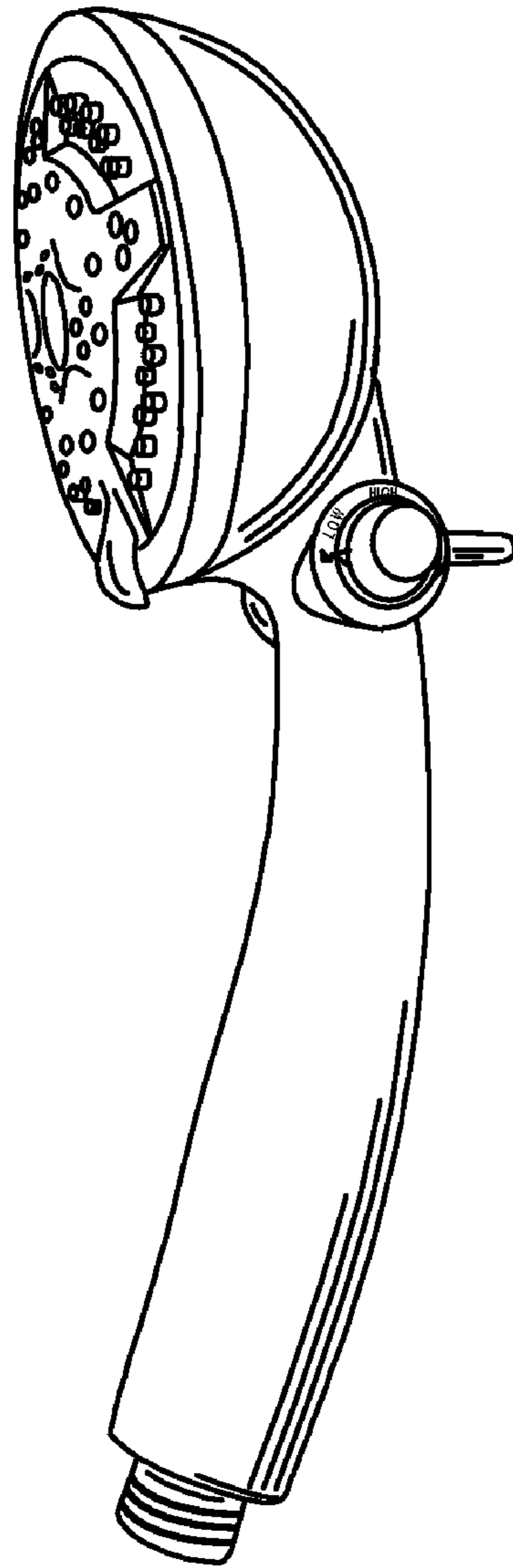


Fig. 5