

US00D604389S

(12) **United States Design Patent**  
**Cheng**

(10) **Patent No.:** **US D604,389 S**  
(45) **Date of Patent:** **\*\* Nov. 17, 2009**

(54) **SPRINKLER HANDLE**

(75) Inventor: **Chi Han Cheng**, Changhua Hsien (TW)

(73) Assignee: **Yuan Mei Corp.**, Changhua Hsien (TW)

(\*\*) Term: **14 Years**

(21) Appl. No.: **29/324,100**

(22) Filed: **Sep. 5, 2008**

(51) **LOC (9) Cl.** ..... **23-01**

(52) **U.S. Cl.** ..... **D23/223**

(58) **Field of Classification Search** ..... D23/213,  
D23/223, 226, 229–230; 239/460, 462, 526  
See application file for complete search history.

(56) **References Cited**

U.S. PATENT DOCUMENTS

D434,106 S	*	11/2000	Hsin-Fa	.....	D23/223
D564,065 S	*	3/2008	Yu	.....	D23/223
D576,252 S	*	9/2008	Lo	.....	D23/223
D584,380 S	*	1/2009	Cheng	.....	D23/223
D584,381 S	*	1/2009	Hung	.....	D23/223
D585,109 S	*	1/2009	Cheng	.....	D23/223

\* cited by examiner

*Primary Examiner*—Robin V Webster

(74) *Attorney, Agent, or Firm*—Senniger Powers LLP

(57) **CLAIM**

The ornamental design for the “sprinkler handle,” as shown and described.

**DESCRIPTION**

FIG. 1 is a perspective view of a sprinkler handle showing my new design;

FIG. 2 is a front view thereof;

FIG. 3 is a rear view thereof;

FIG. 4 is a left side view thereof;

FIG. 5 is a right side view thereof;

FIG. 6 is a top view thereof;

FIG. 7 is a bottom view thereof;

FIG. 8 is a perspective view of a modified form of my new design;

FIG. 9 is a front view thereof;

FIG. 10 is a rear view thereof;

FIG. 11 is a left side view thereof;

FIG. 12 is a right side view thereof;

FIG. 13 is a top view thereof; and,

FIG. 14 is a bottom view thereof.

The broken lines shown in FIGS. 1–14 are for illustrative purposes only and form no part of the claimed design.

**1 Claim, 14 Drawing Sheets**

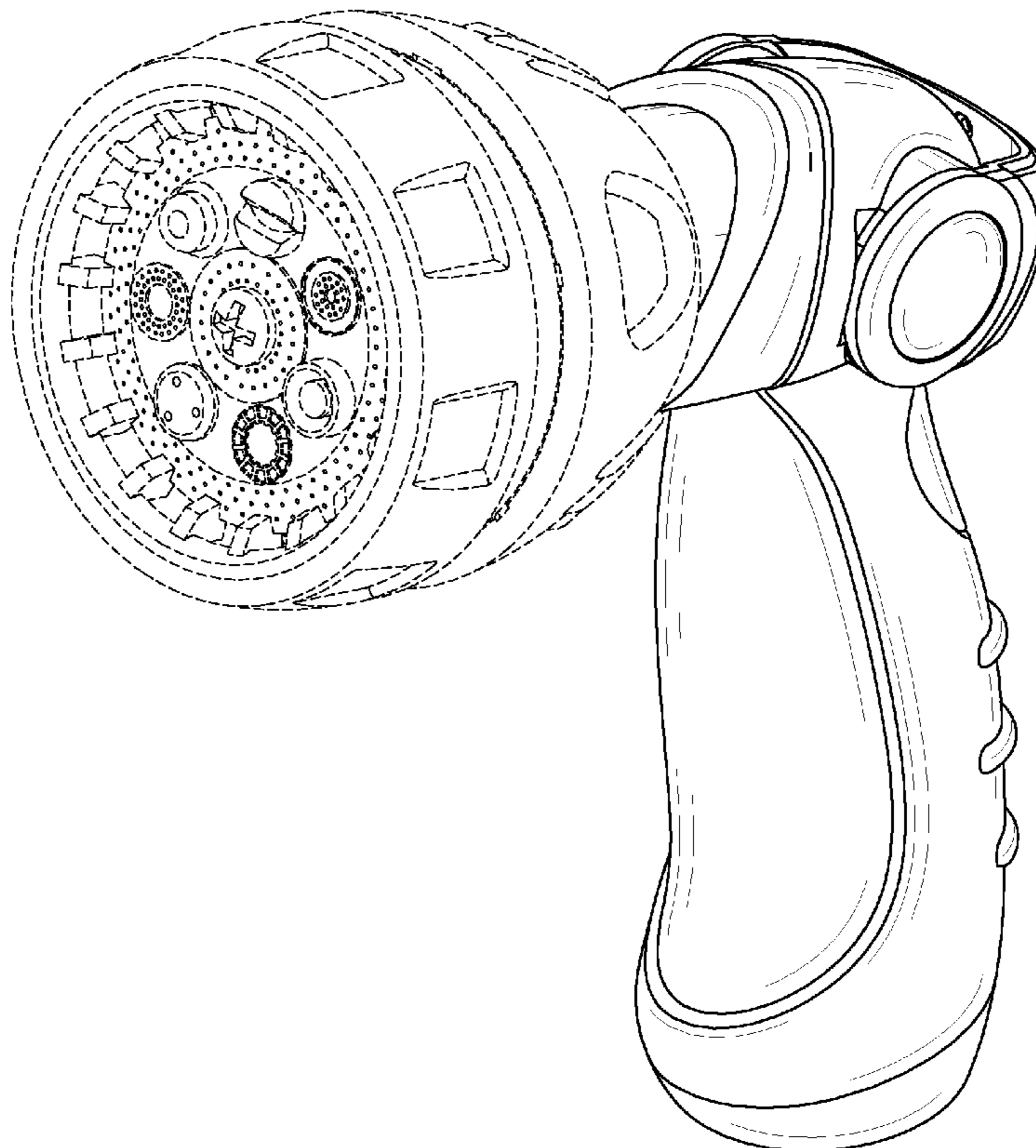


FIG. 1

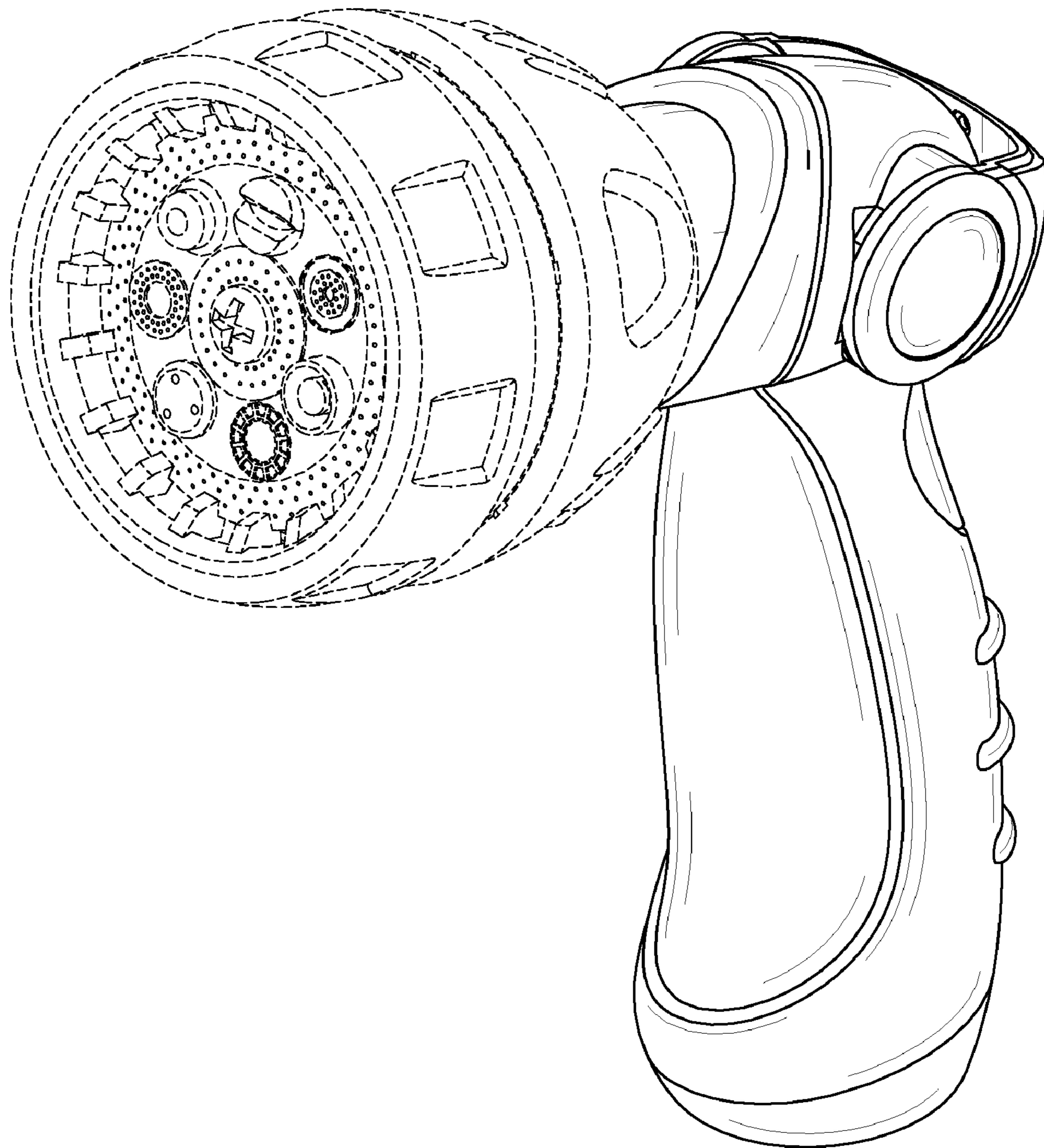


FIG. 2

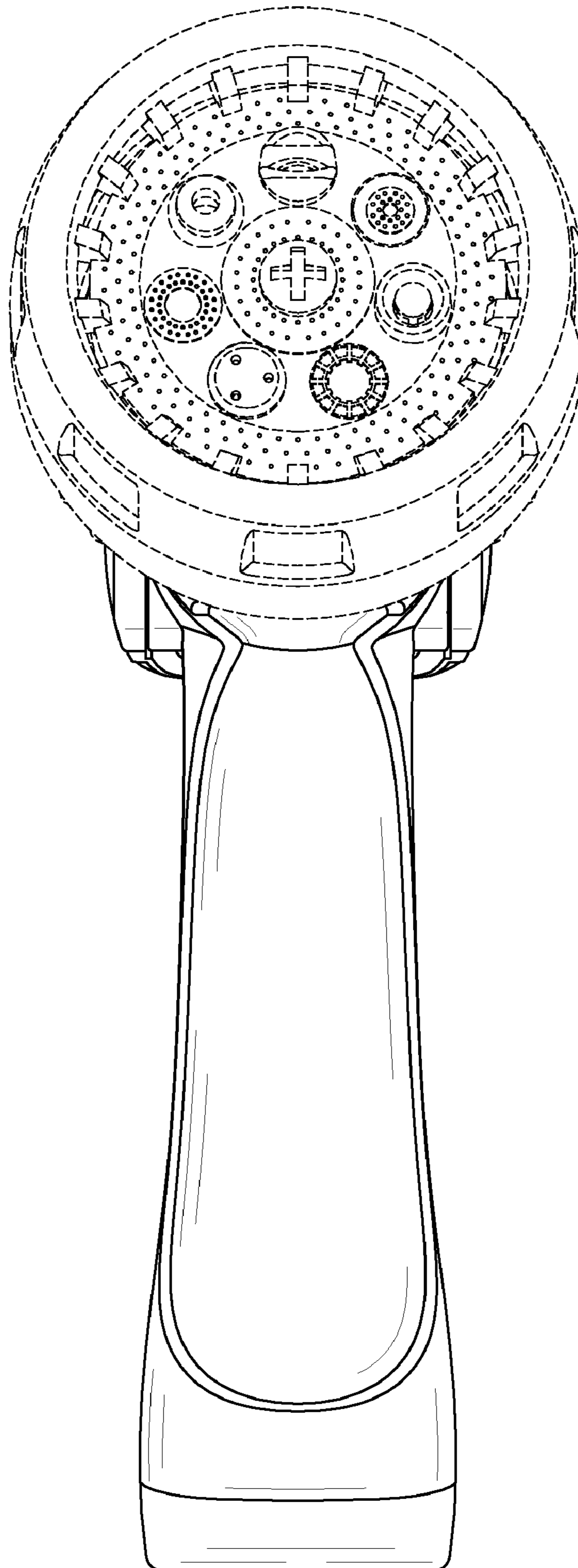


FIG. 3

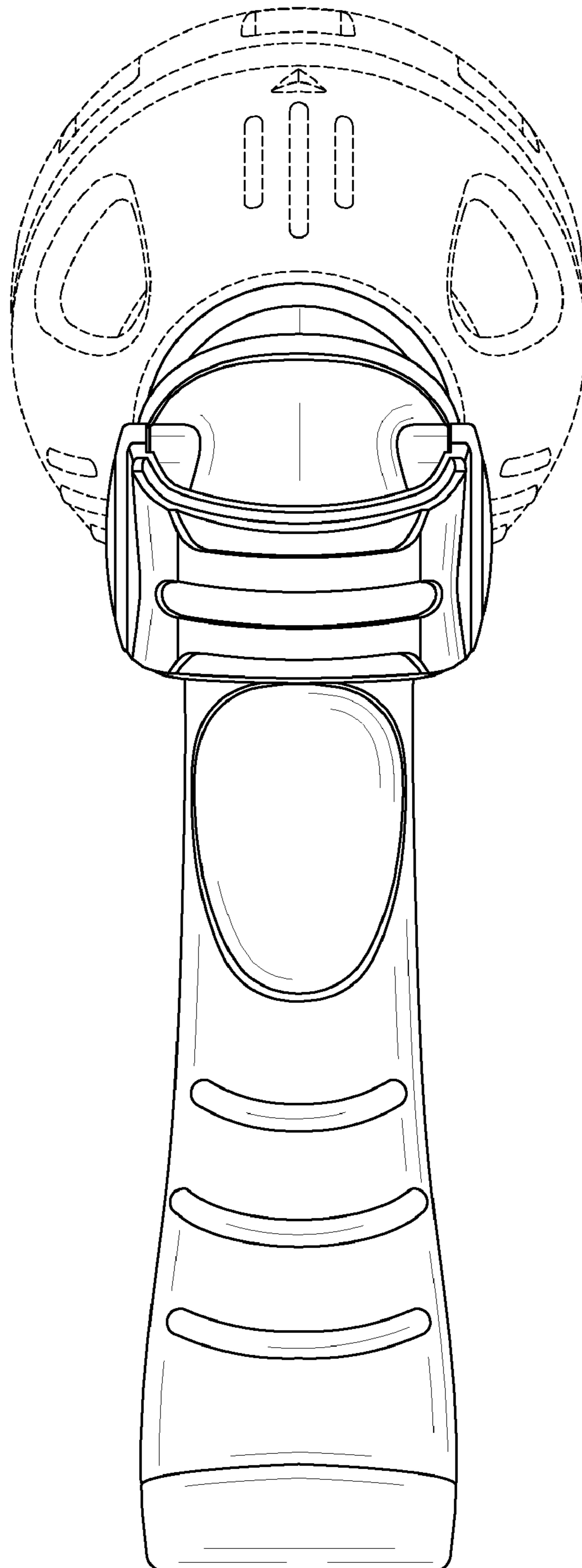


FIG. 4

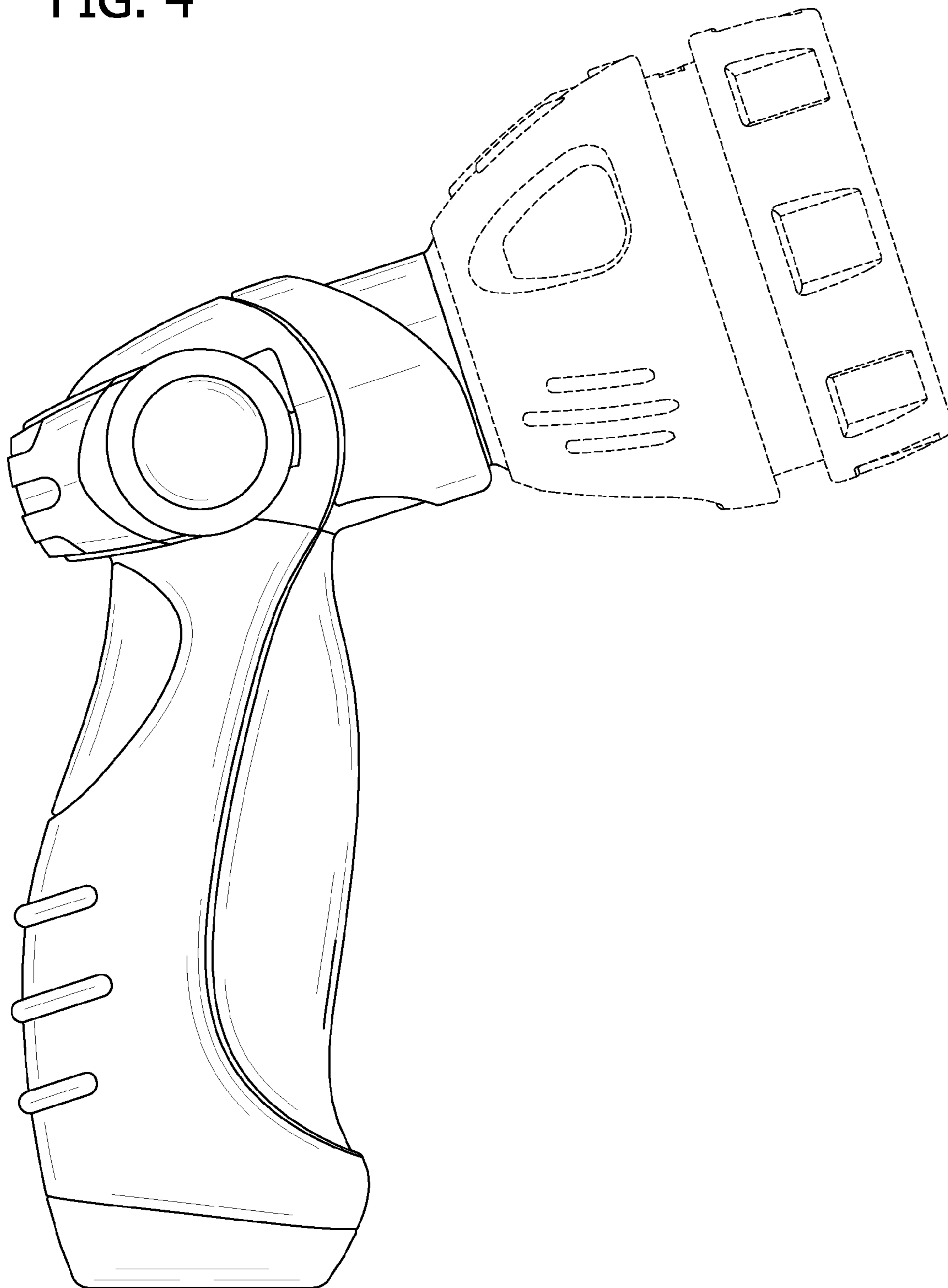


FIG. 5

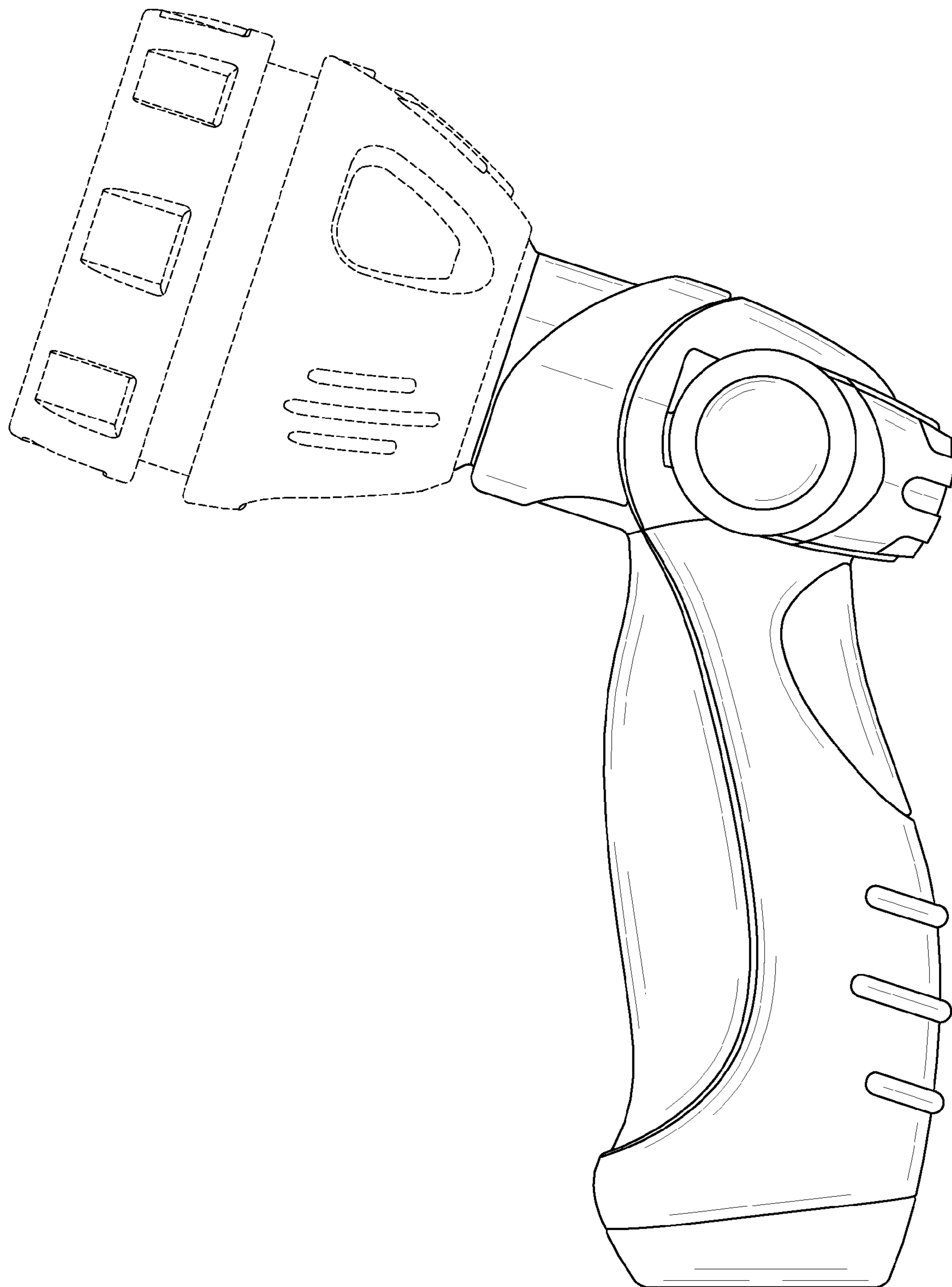


FIG. 6

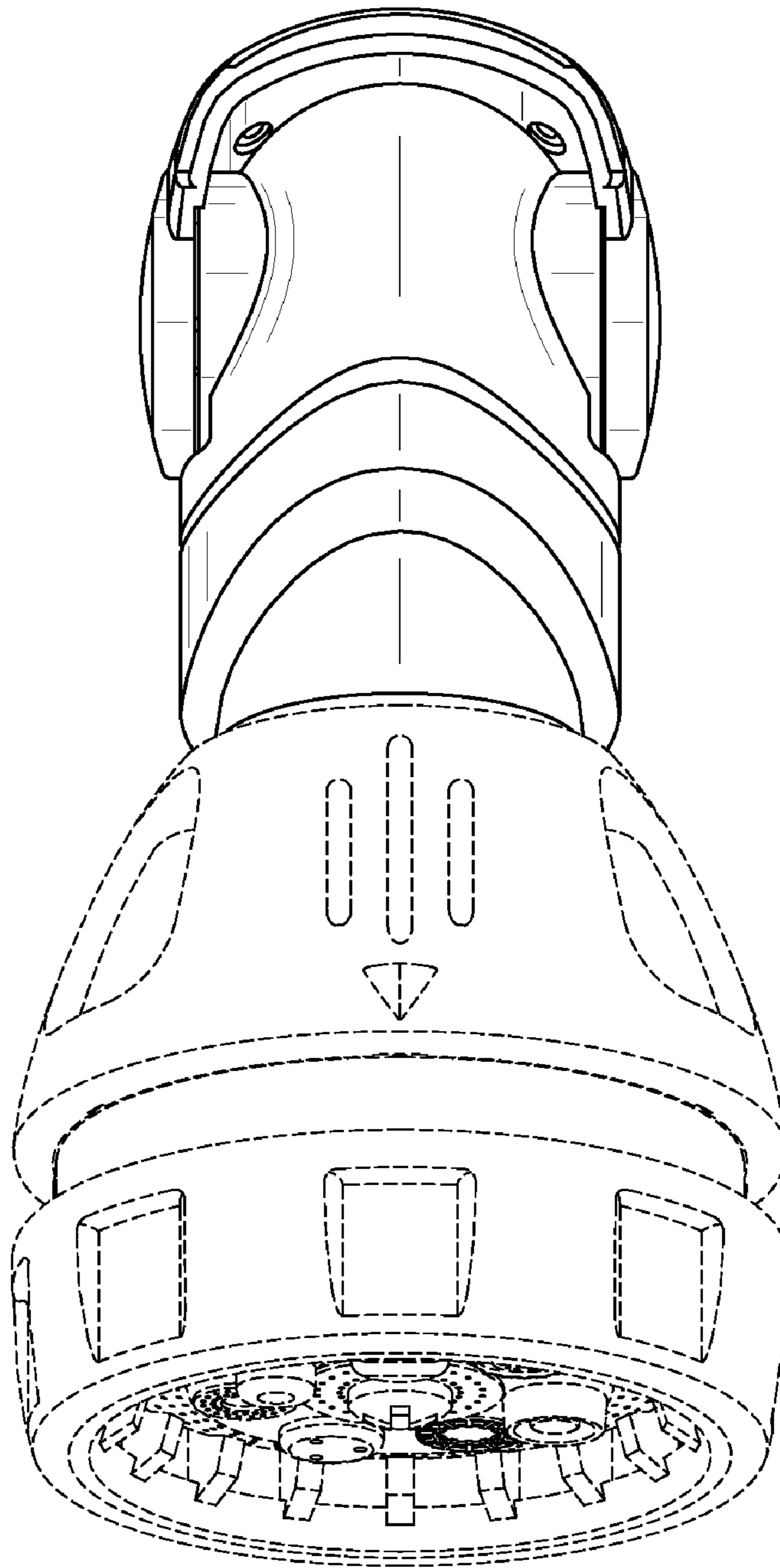
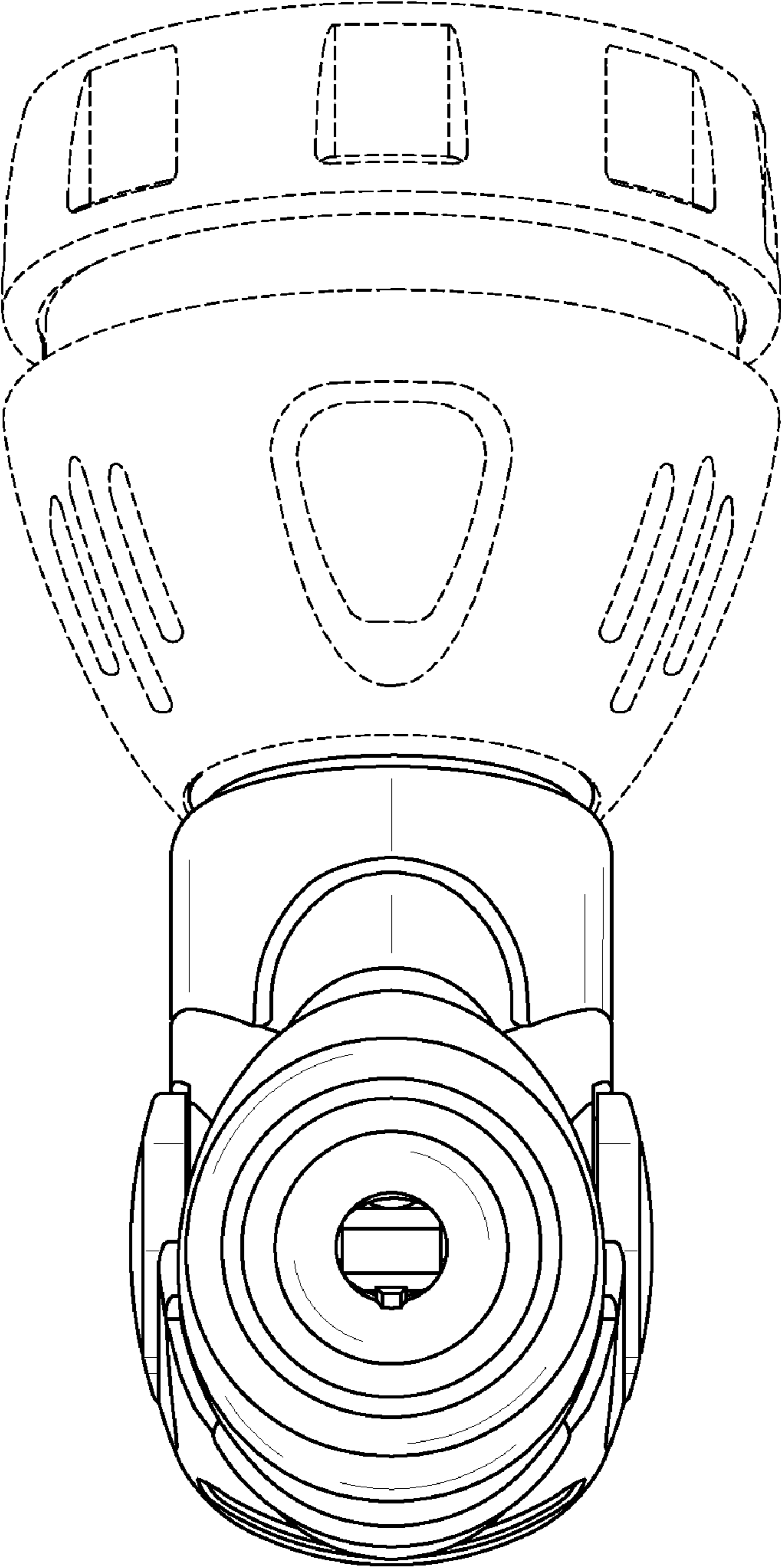
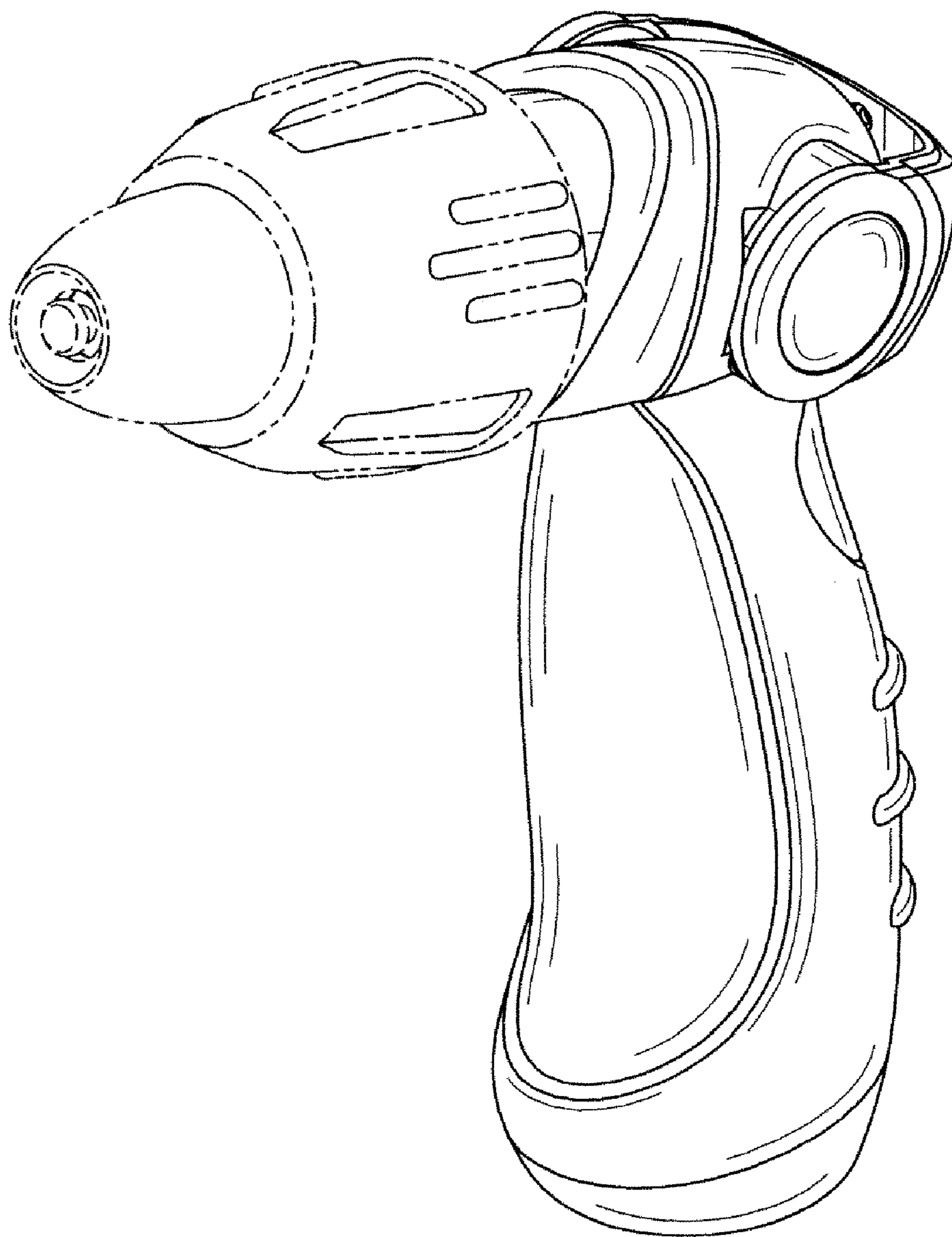


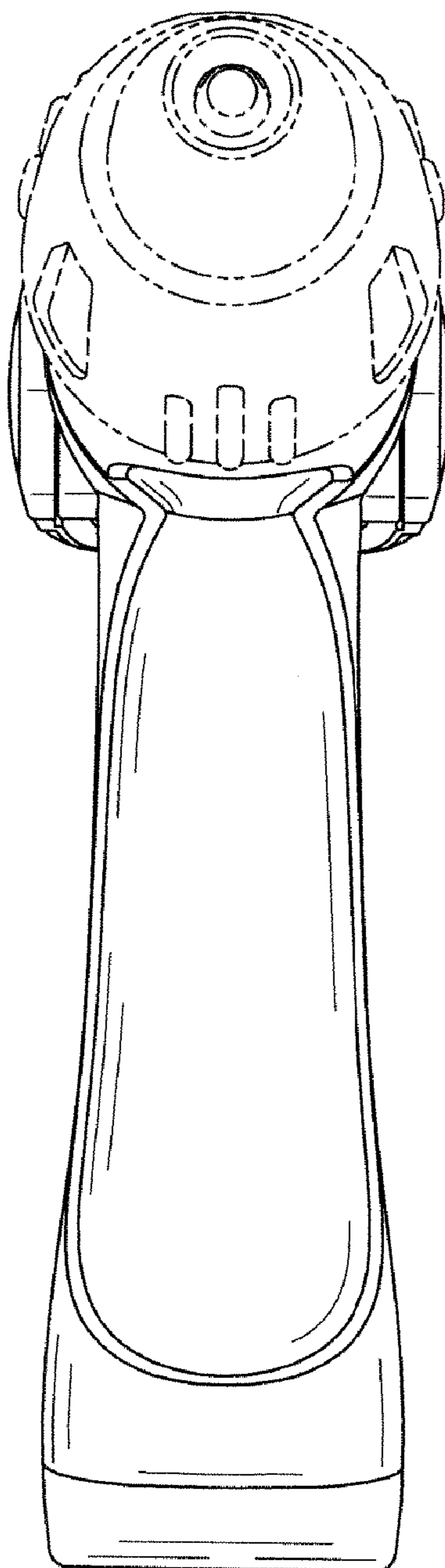
FIG. 7



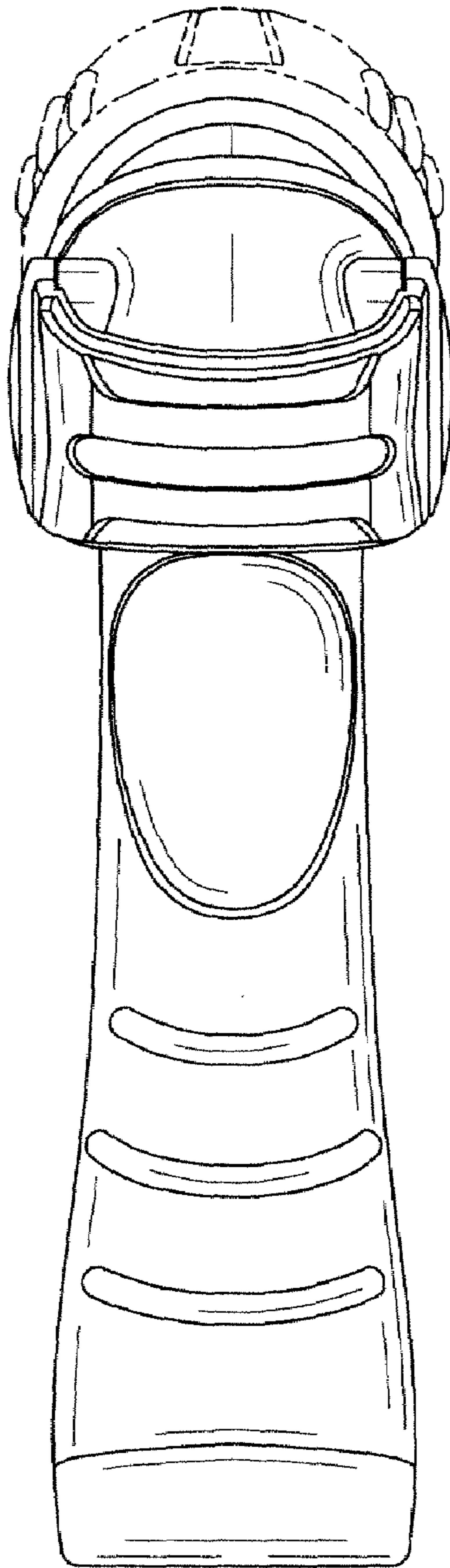




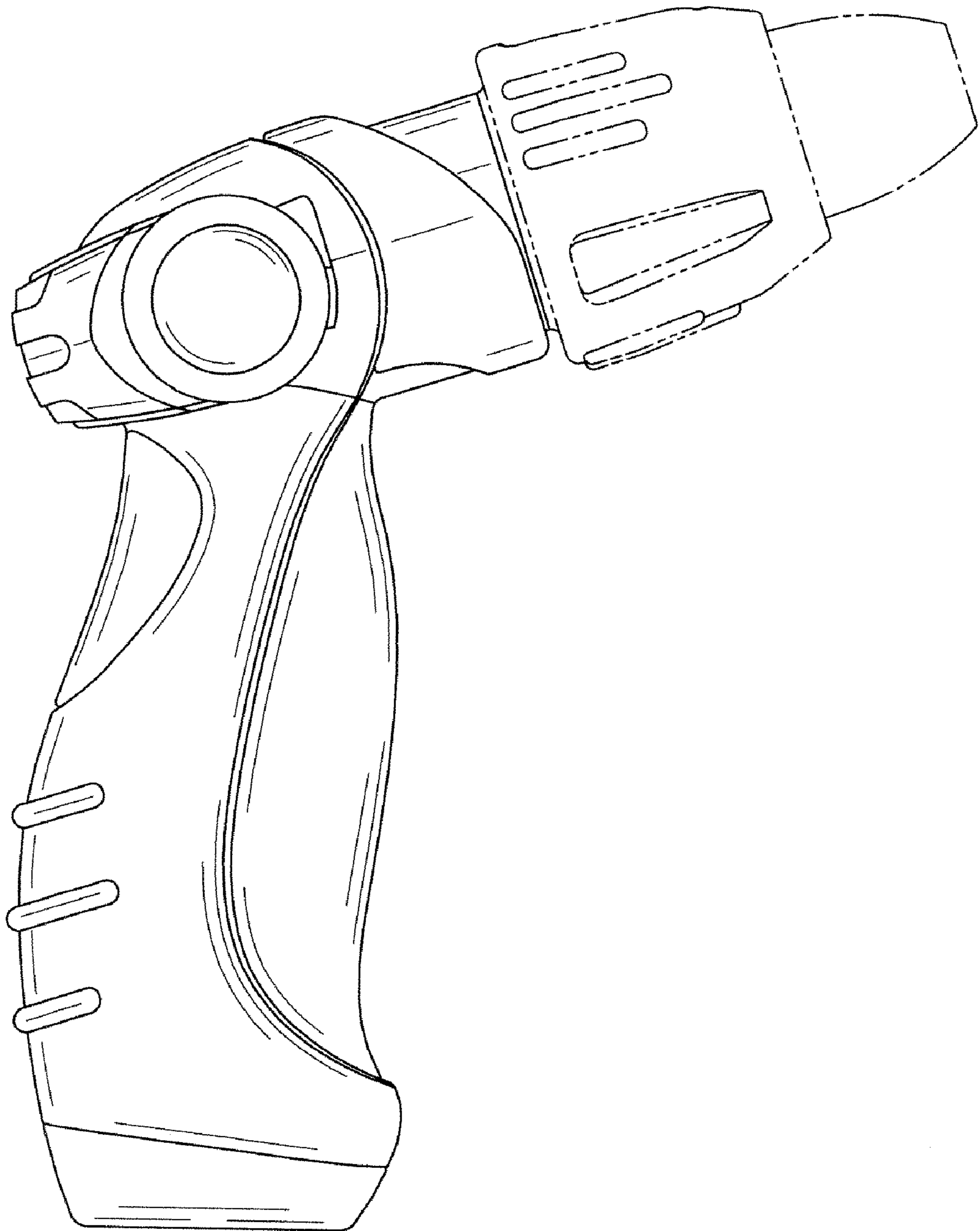
**FIG. 8**



**FIG. 9**



**FIG. 10**



**FIG. 11**

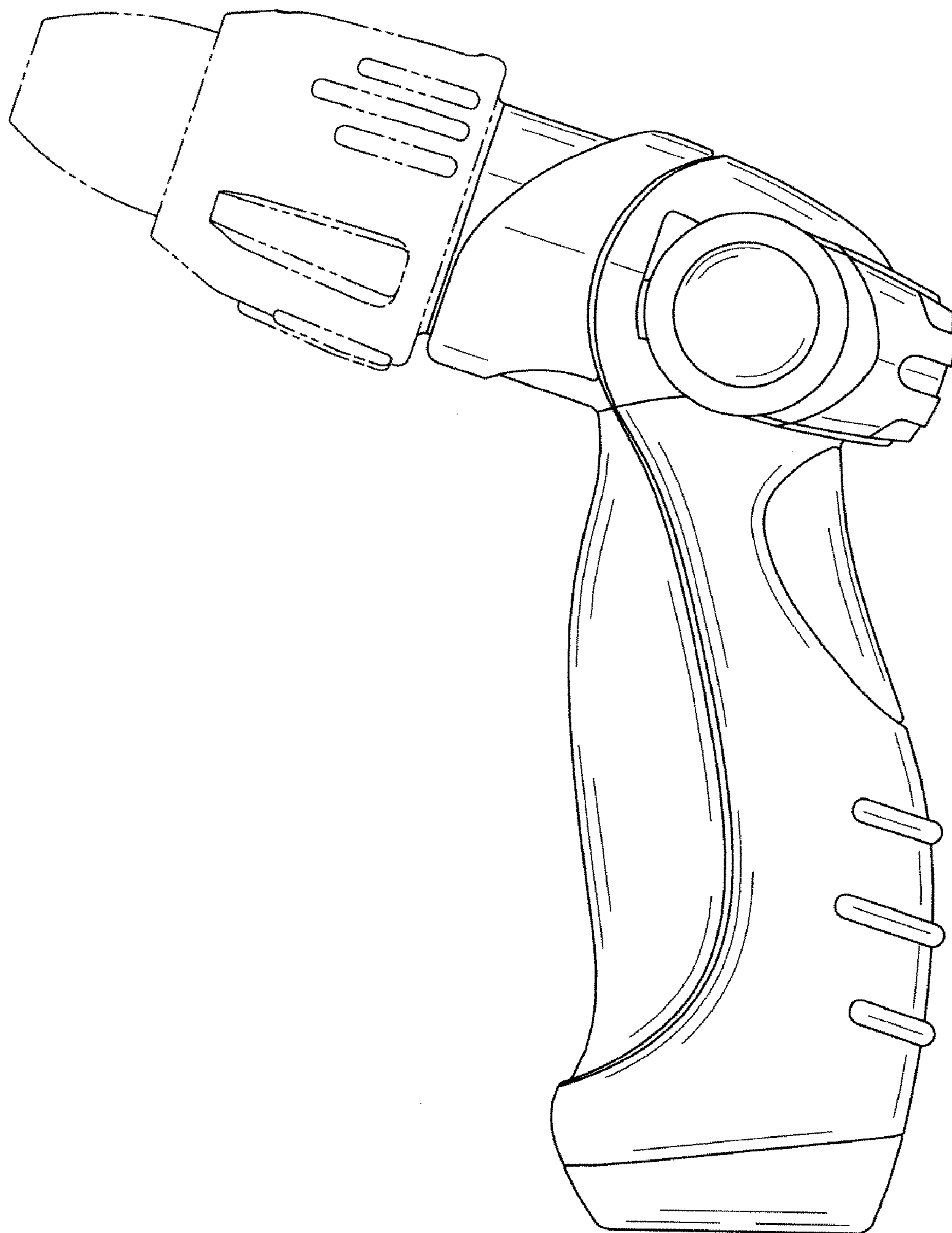
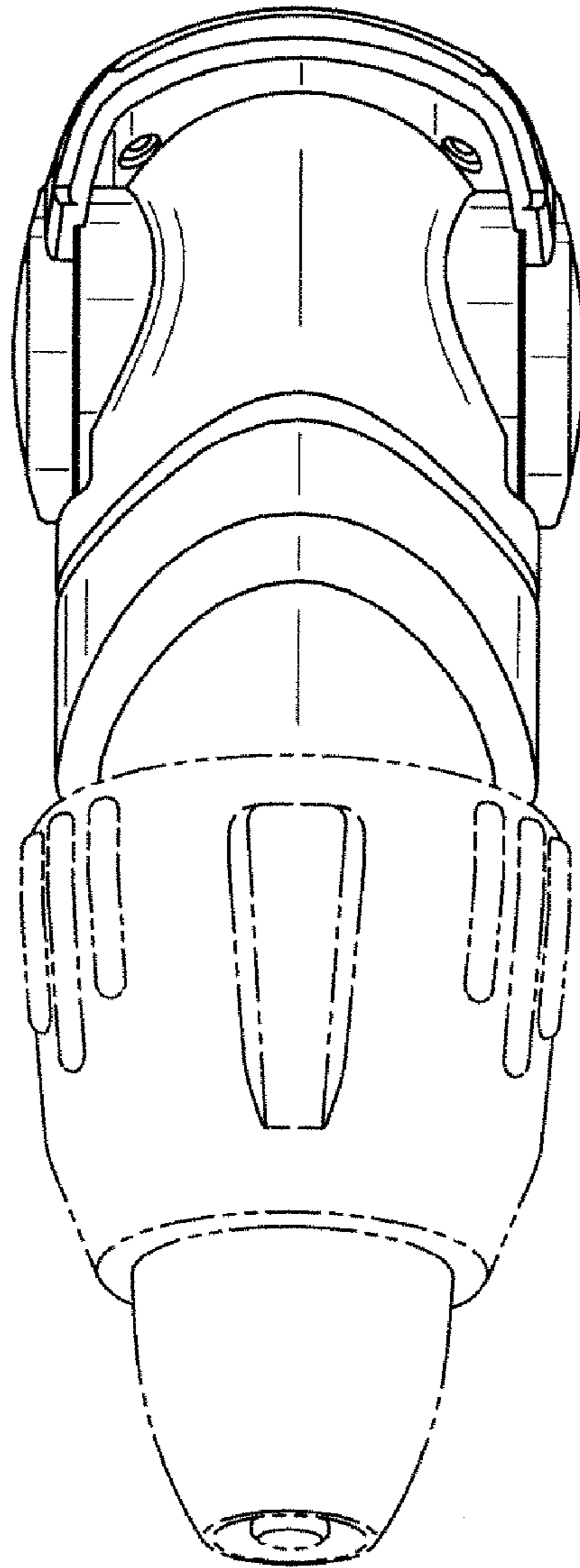
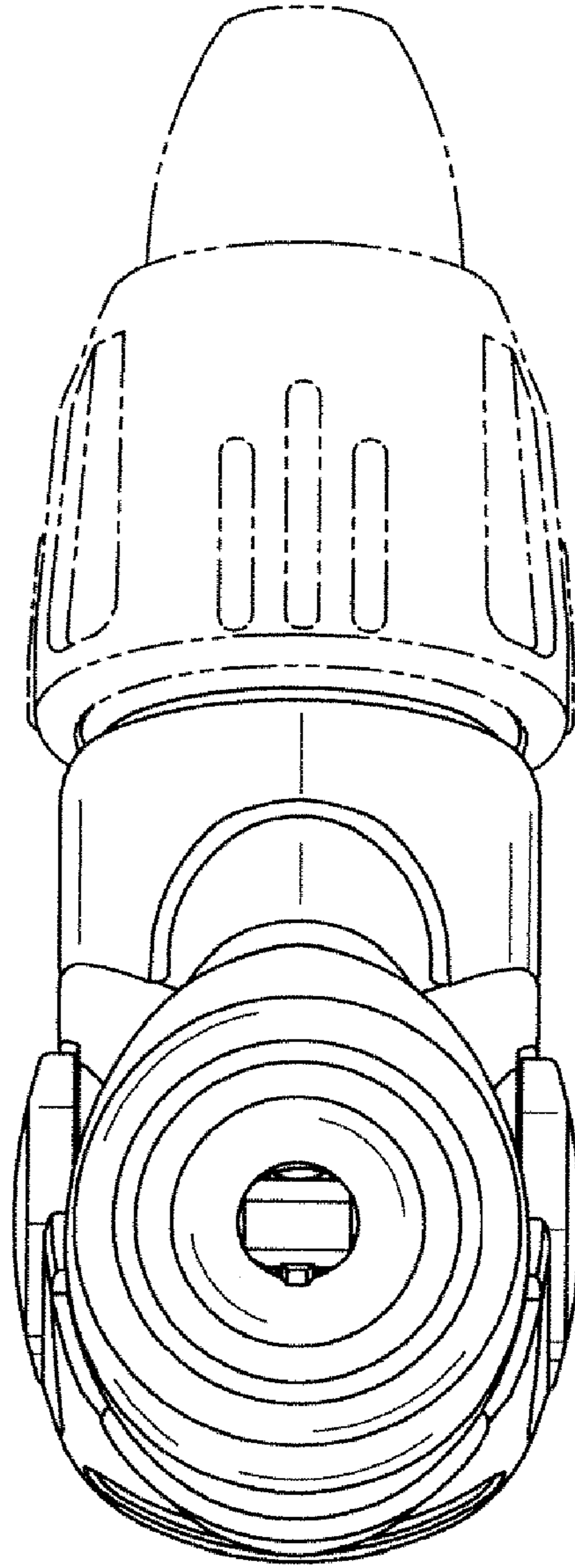


FIG. 12



**FIG. 13**



**FIG. 14**