



US00D604388S

(12) **United States Design Patent**
Schoenherr et al.

(10) **Patent No.:** **US D604,388 S**

(45) **Date of Patent:** **** Nov. 17, 2009**

(54) **SHOWER ARM**

(75) Inventors: **Tom Schoenherr**, Stuttgart (DE); **Sven Feustel**, Stuttgart (DE)

(73) Assignee: **Hansgrohe AG**, Schiltach (DE)

(**) Term: **14 Years**

(21) Appl. No.: **29/333,844**

(22) Filed: **Mar. 16, 2009**

(30) **Foreign Application Priority Data**

Sep. 26, 2008 (EP) 001011415-0015

(51) **LOC (9) Cl.** **23-01**

(52) **U.S. Cl.** **D23/213**

(58) **Field of Classification Search** D23/213,
D23/223, 226, 229–230; 239/282–283, 394;
4/615

See application file for complete search history.

(56) **References Cited**

U.S. PATENT DOCUMENTS

D228,908 S * 10/1973 Juhlin D23/223

D552,211 S * 10/2007 Toyohara D23/213

D557,766 S * 12/2007 Hoernig D23/223

D562,936 S * 2/2008 Garner D23/213

D575,845 S * 8/2008 Lobermeier et al. D23/223

D578,181 S * 10/2008 Pan D23/213

D590,917 S * 4/2009 Schoenherr et al. D23/223

D594,928 S * 6/2009 Beschi D23/213

* cited by examiner

Primary Examiner—Robin V Webster

(74) *Attorney, Agent, or Firm*—Nirav D. Parikh; Edgar A. Zarins

(57) **CLAIM**

The ornamental design for a shower arm, as shown and described.

DESCRIPTION

FIG. 1 is a perspective view of a shower arm showing our design;

FIG. 2 is a front elevational view thereof;

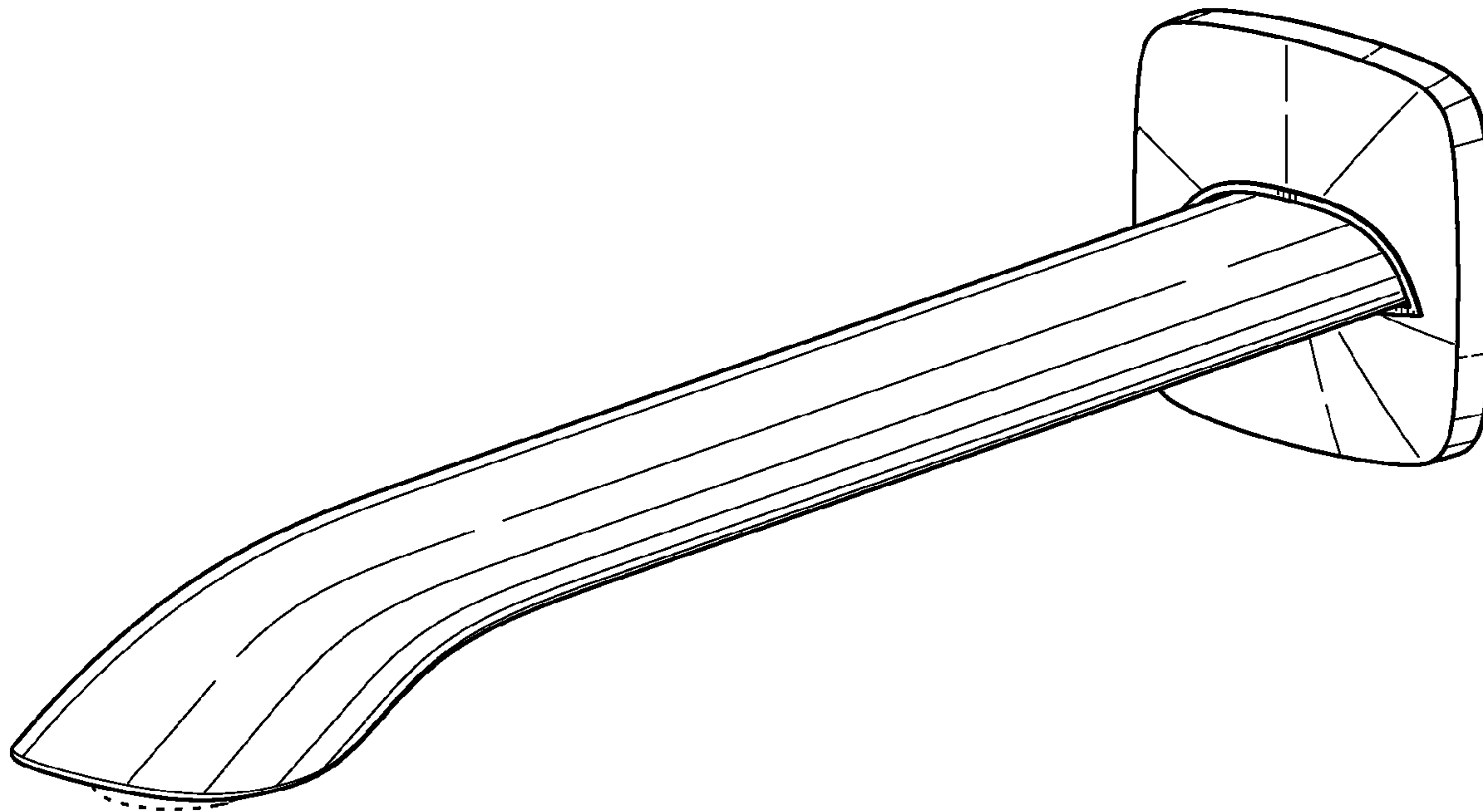
FIG. 3 is a left side elevational view thereof; the right side elevational view being a mirror image thereof;

FIG. 4 is a top plan view thereof; and,

FIG. 5 is a bottom plan view thereof.

The broken lines in the drawings represent unclaimed portions of the design and form no part thereof.

1 Claim, 5 Drawing Sheets



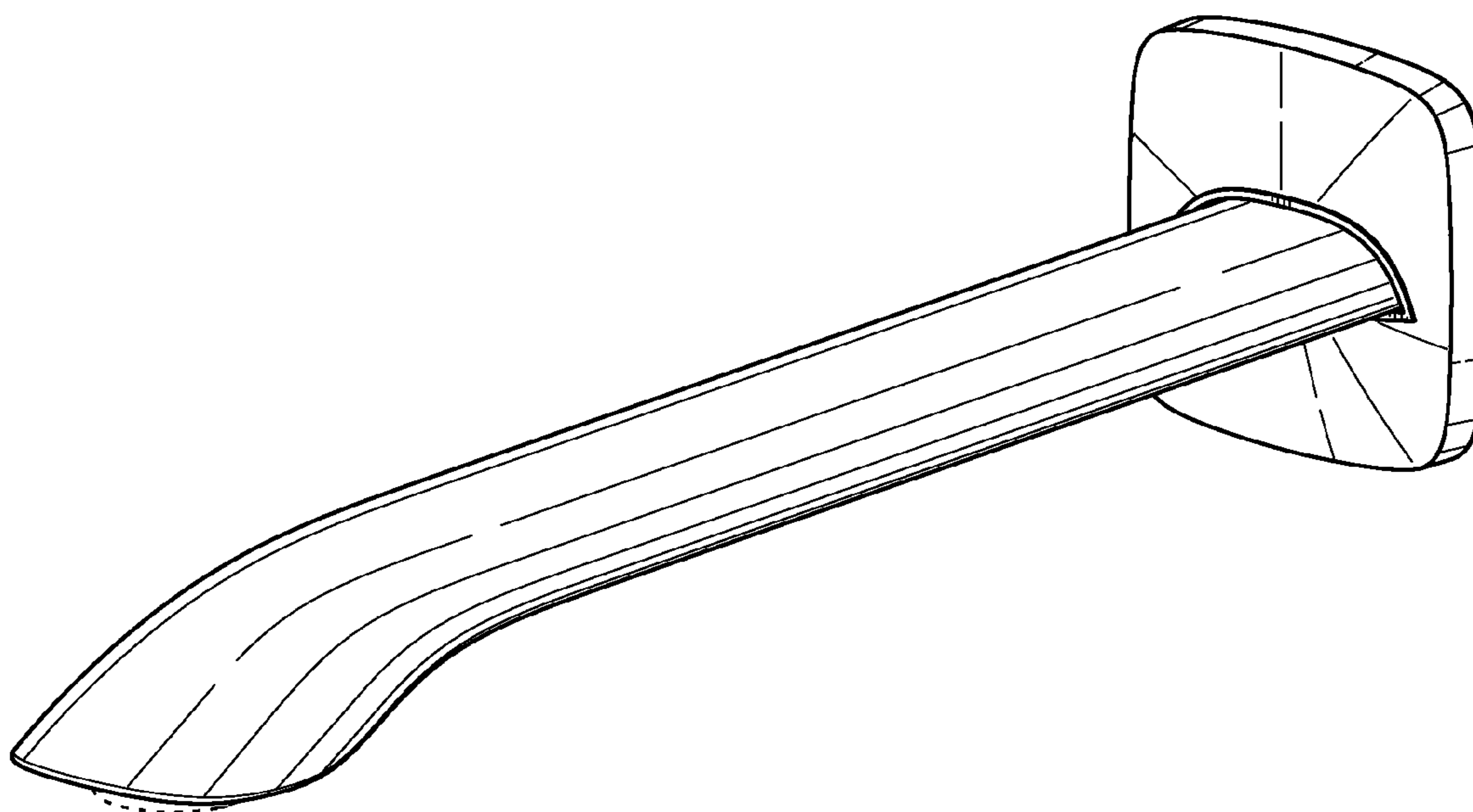


FIG. 1

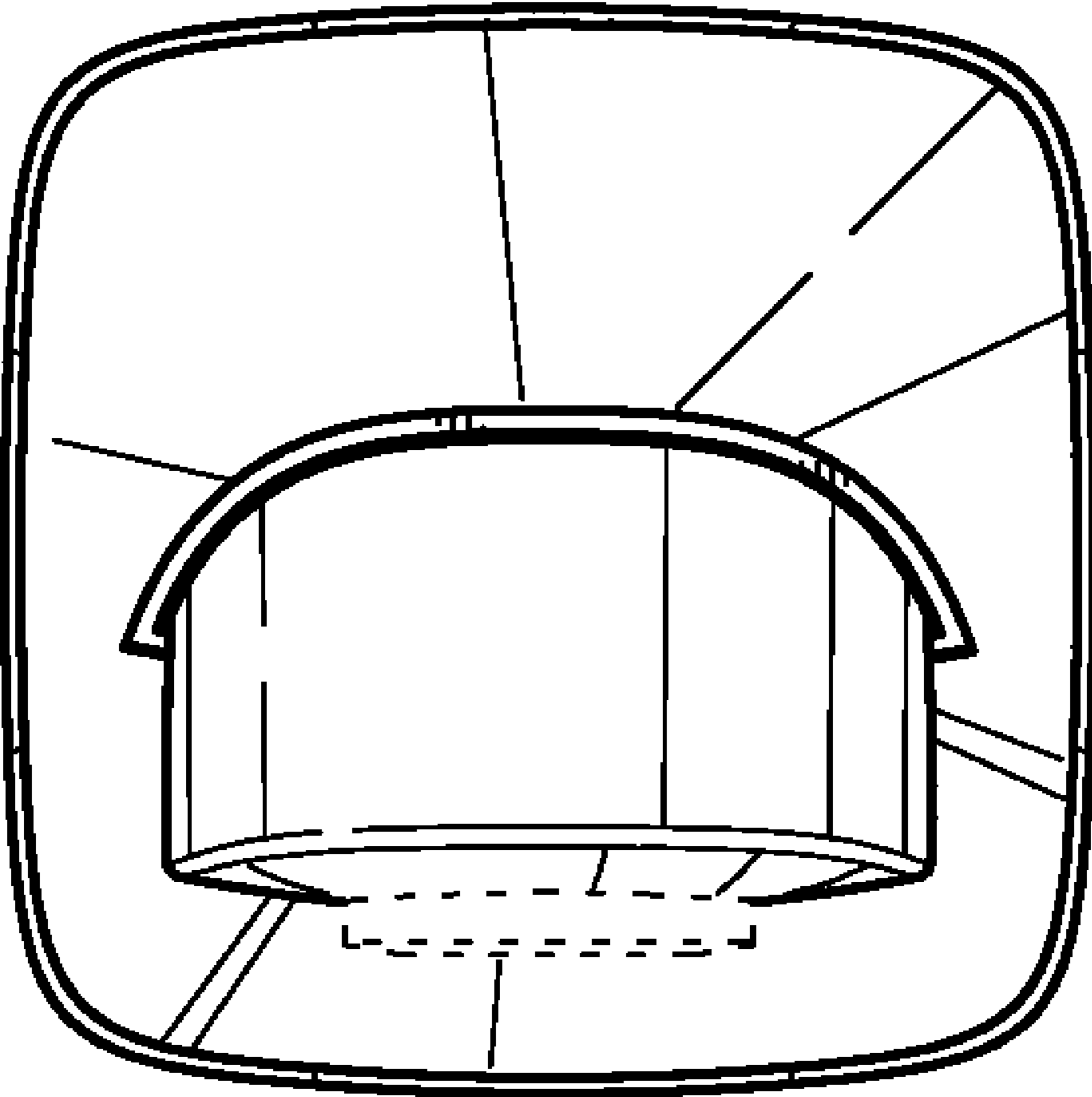


FIG. 2

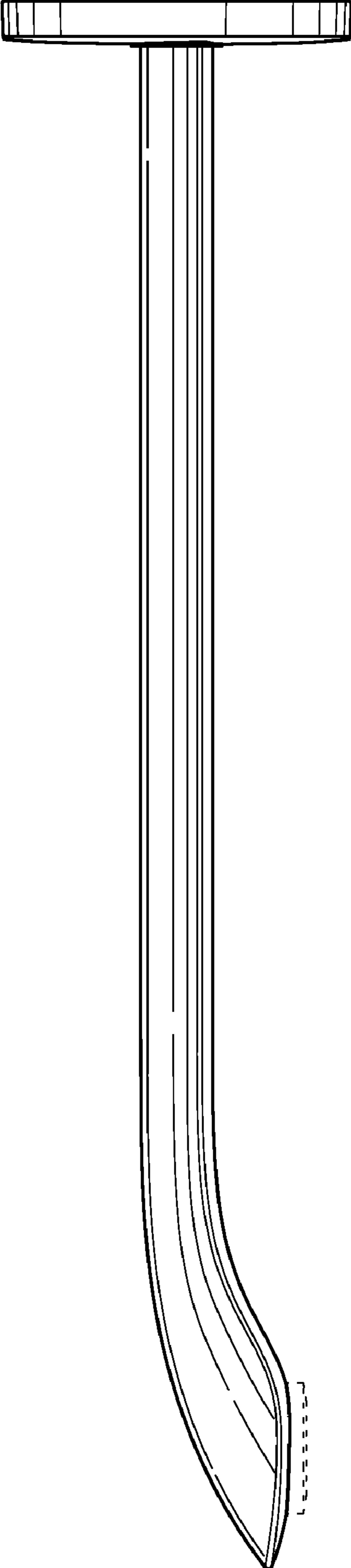


FIG. 3

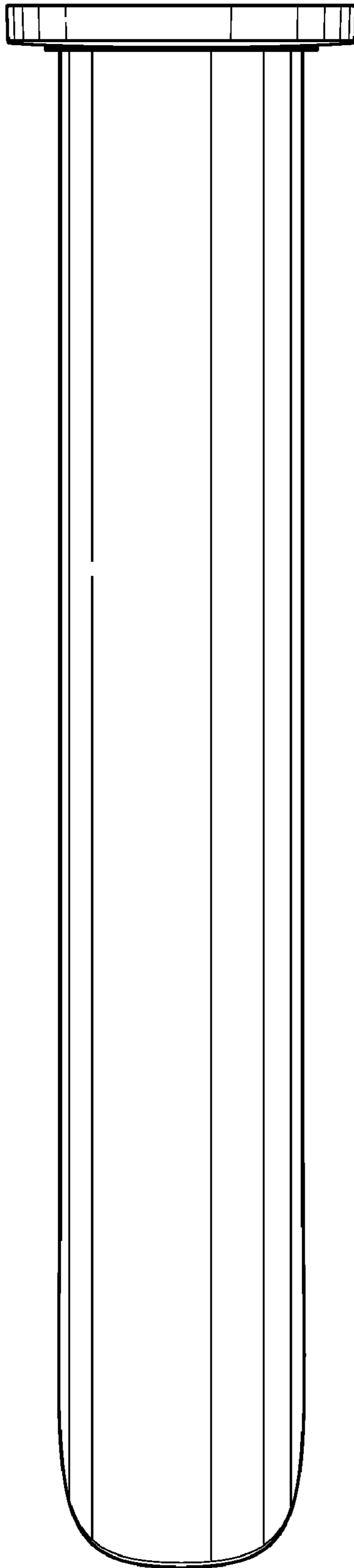


FIG. 4

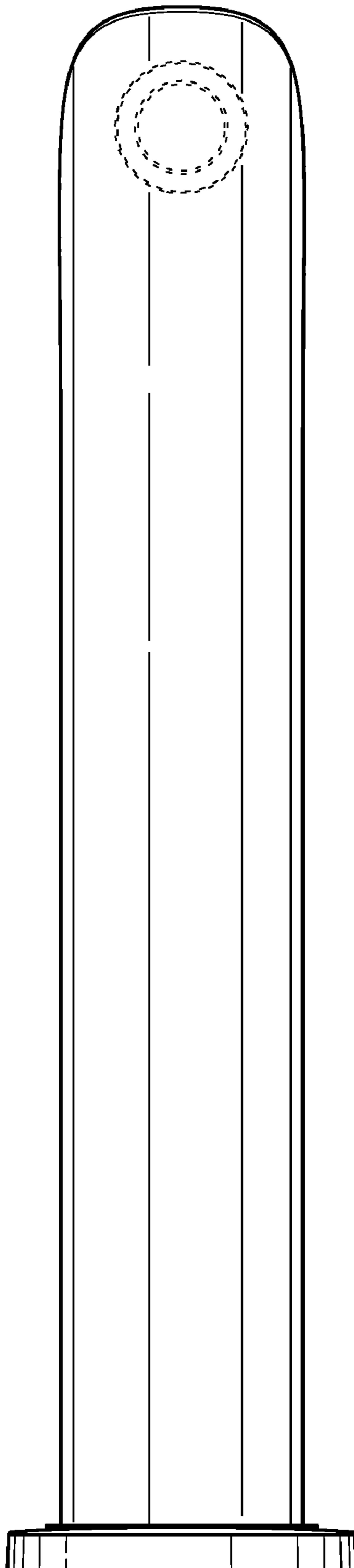


FIG. 5