



US00D604387S

(12) **United States Design Patent**  
**Miller et al.**

(10) **Patent No.:** **US D604,387 S**

(45) **Date of Patent:** **\*\* Nov. 17, 2009**

(54) **SHOWERHEAD WITH INTEGRAL VALVE**

D509,562 S \* 9/2005 Kobi et al. .... D23/213

\* cited by examiner

(75) Inventors: **Michael Miller**, Portage, MI (US);  
**Curtis J. Bailey**, Birmingham, MI (US);  
**Dominic James Daunter**, Howell, MI  
(US)

*Primary Examiner*—Robin V Webster

(74) *Attorney, Agent, or Firm*—Edgar A. Zarins; Nirav D. Parikh

(73) Assignee: **Alsons Corporation**, Hillsdale, MI (US)

(57) **CLAIM**

(\*\*) Term: **14 Years**

The ornamental design for a showerhead with integral valve, as shown and described.

(21) Appl. No.: **29/225,875**

(22) Filed: **Mar. 22, 2005**

**DESCRIPTION**

(51) **LOC (9) Cl.** ..... **23-01**

FIG. 1 is a perspective view of a showerhead with integral valve showing my new design;

(52) **U.S. Cl.** ..... **D23/213**

FIG. 2 is a front elevational view thereof;

(58) **Field of Classification Search** ..... D23/213,  
D23/229–230, 223, 226; 239/282–3, 394,  
239/587.1

FIG. 3 is a top plan view thereof;

FIG. 4 is a left side view thereof, the opposite side being a mirror image of the side shown; and,

See application file for complete search history.

FIG. 5 is a rear view thereof.

(56) **References Cited**

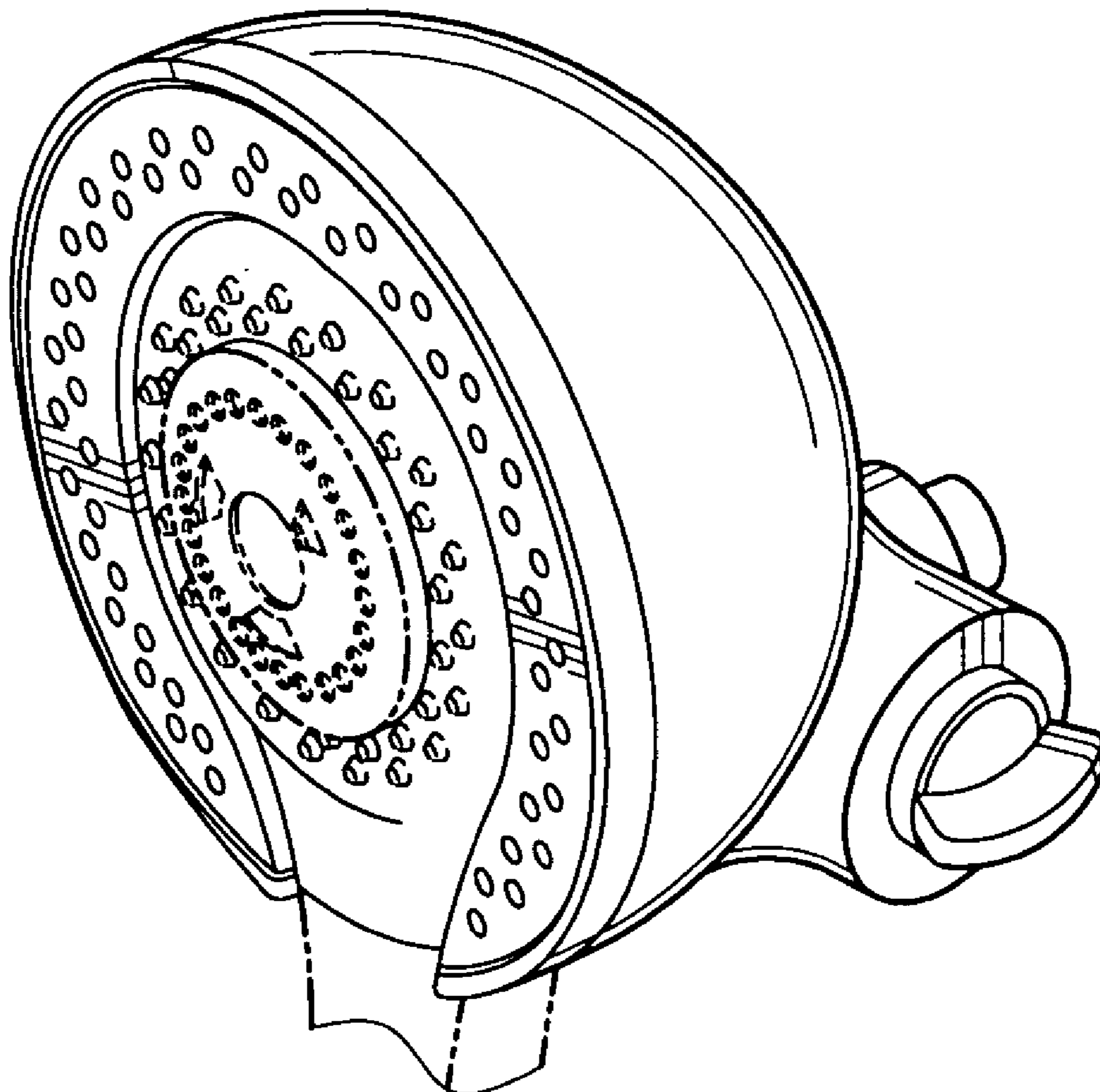
The broken line showing of portions of the face and a handle is included for the purpose of illustrating and forms no part of the claimed design.

**U.S. PATENT DOCUMENTS**

D413,157 S \* 8/1999 Ratzlaff ..... D23/229

D503,463 S \* 3/2005 Hughes et al. .... D23/229

**1 Claim, 3 Drawing Sheets**



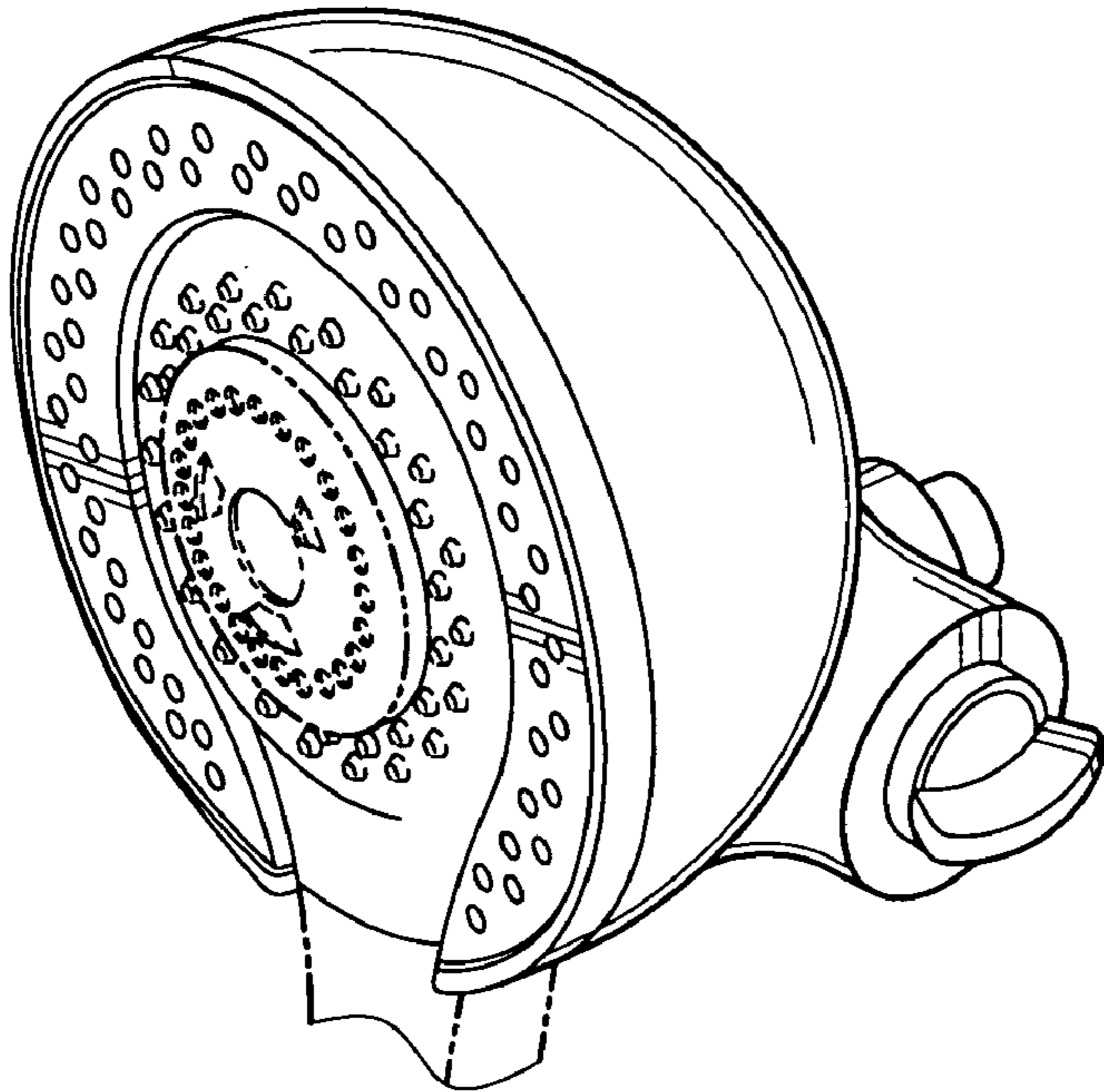


Fig-1

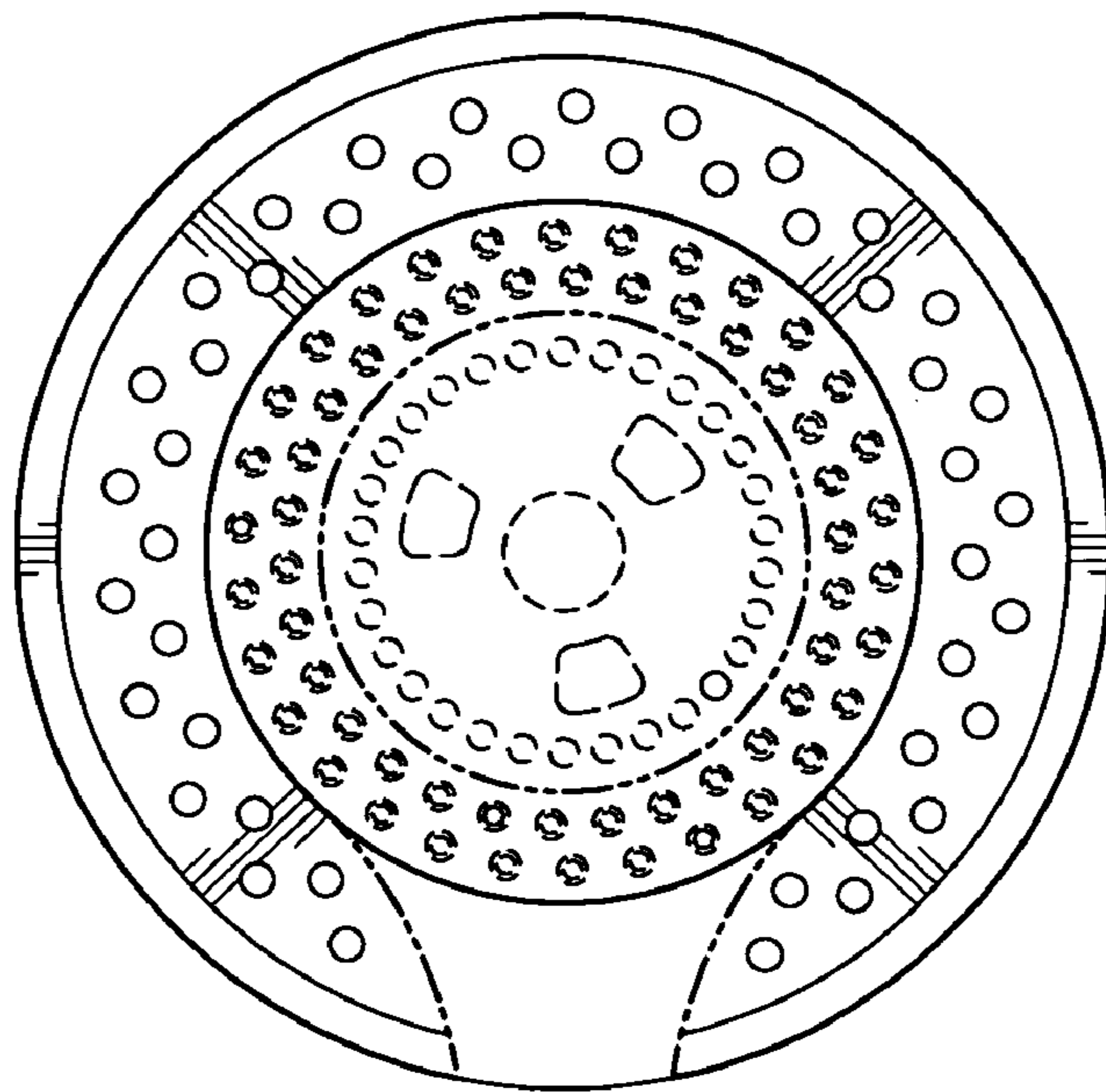


Fig-2

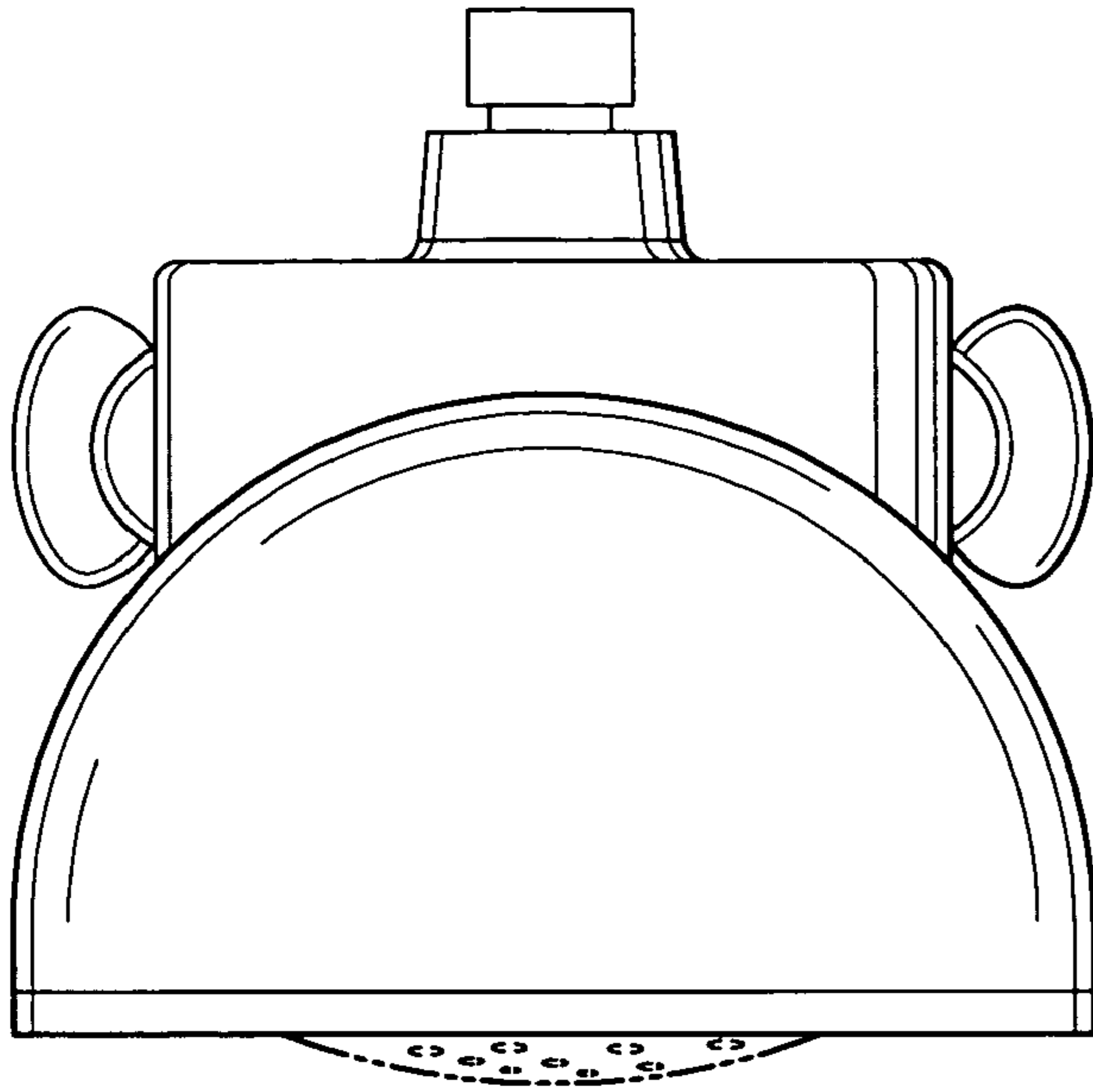


Fig-3

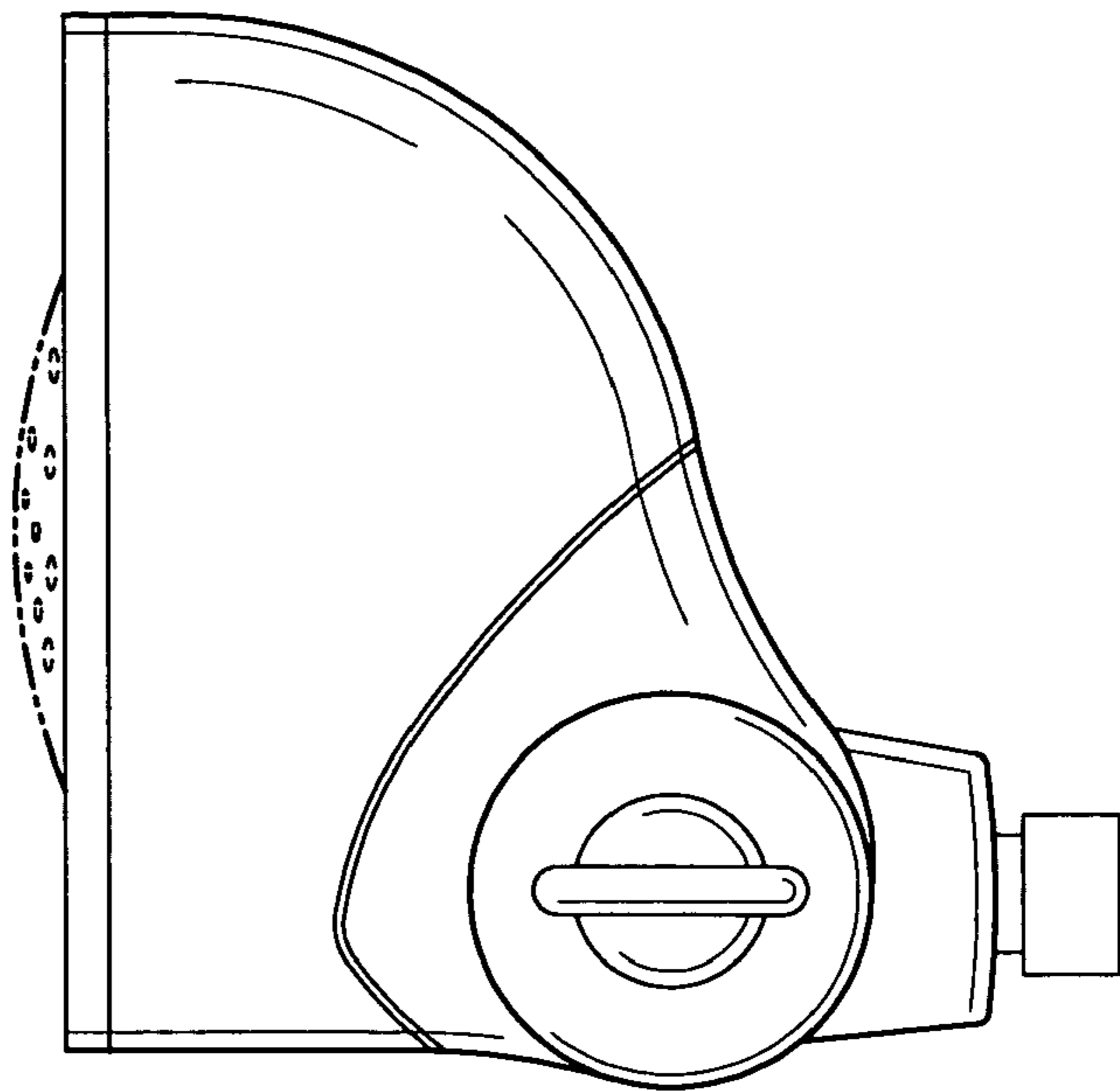


Fig-4

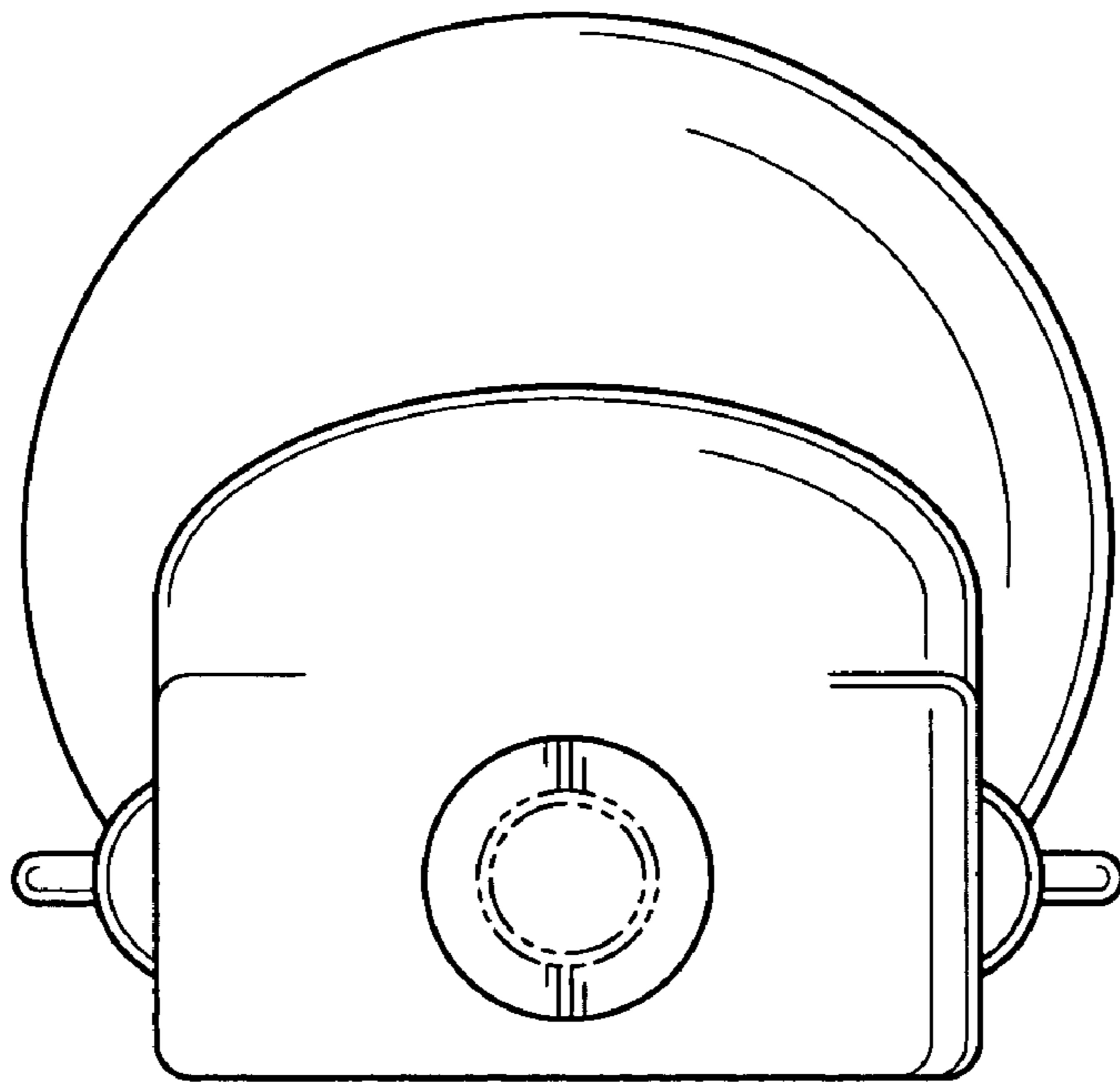


Fig-5