



US00D604384S

(12) **United States Design Patent**
Bengtsson

(10) **Patent No.:** **US D604,384 S**

(45) **Date of Patent:** **** Nov. 17, 2009**

(54) **SIGHT**

(75) Inventor: **Peter Bengtsson**, Oxie (SE)

(73) Assignee: **GS Development AB**, Malmö (SE)

(**) Term: **14 Years**

(21) Appl. No.: **29/317,591**

(22) Filed: **May 2, 2008**

(30) **Foreign Application Priority Data**

Jan. 21, 2008 (EM) 000860960-0003

(51) **LOC (9) Cl.** **22-01**

(52) **U.S. Cl.** **D22/109**

(58) **Field of Classification Search** D22/100,
D22/108, 109, 110, 199; 42/11, 72, 75.02,
42/71.01, 85, 90, 106, 114, 113, 116, 119,
42/124, 125, 127, 145, 128; 248/201, 205.1;
D16/130, 132

See application file for complete search history.

(56) **References Cited**

U.S. PATENT DOCUMENTS

D369,367 S * 4/1996 Tomita D22/109
D416,972 S * 11/1999 Otteman et al. D22/109
D420,718 S * 2/2000 Otteman et al. D22/109
D427,275 S * 6/2000 Gilmore D22/109
D427,658 S * 7/2000 Tucker D22/109

D515,118 S * 2/2006 Larsson et al. D16/132
D517,639 S * 3/2006 Sauter et al. D22/109
D578,599 S * 10/2008 Cheng D22/109

* cited by examiner

Primary Examiner—T. Chase Nelson

Assistant Examiner—Michael A Pratt

(74) *Attorney, Agent, or Firm*—Thomas, Kayden,
Horstemeyer & Risley, LLP; Todd Deveau

(57) **CLAIM**

The ornamental design for a sight, as shown and described.

DESCRIPTION

FIG. 1 is a perspective top view of my new sight;

FIG. 2 is an end view of my new sight of FIG. 1;

FIG. 3 is a side elevational view of my new sight;

FIG. 4 is a side elevational view of my new sight from the side
opposite that of FIG. 3;

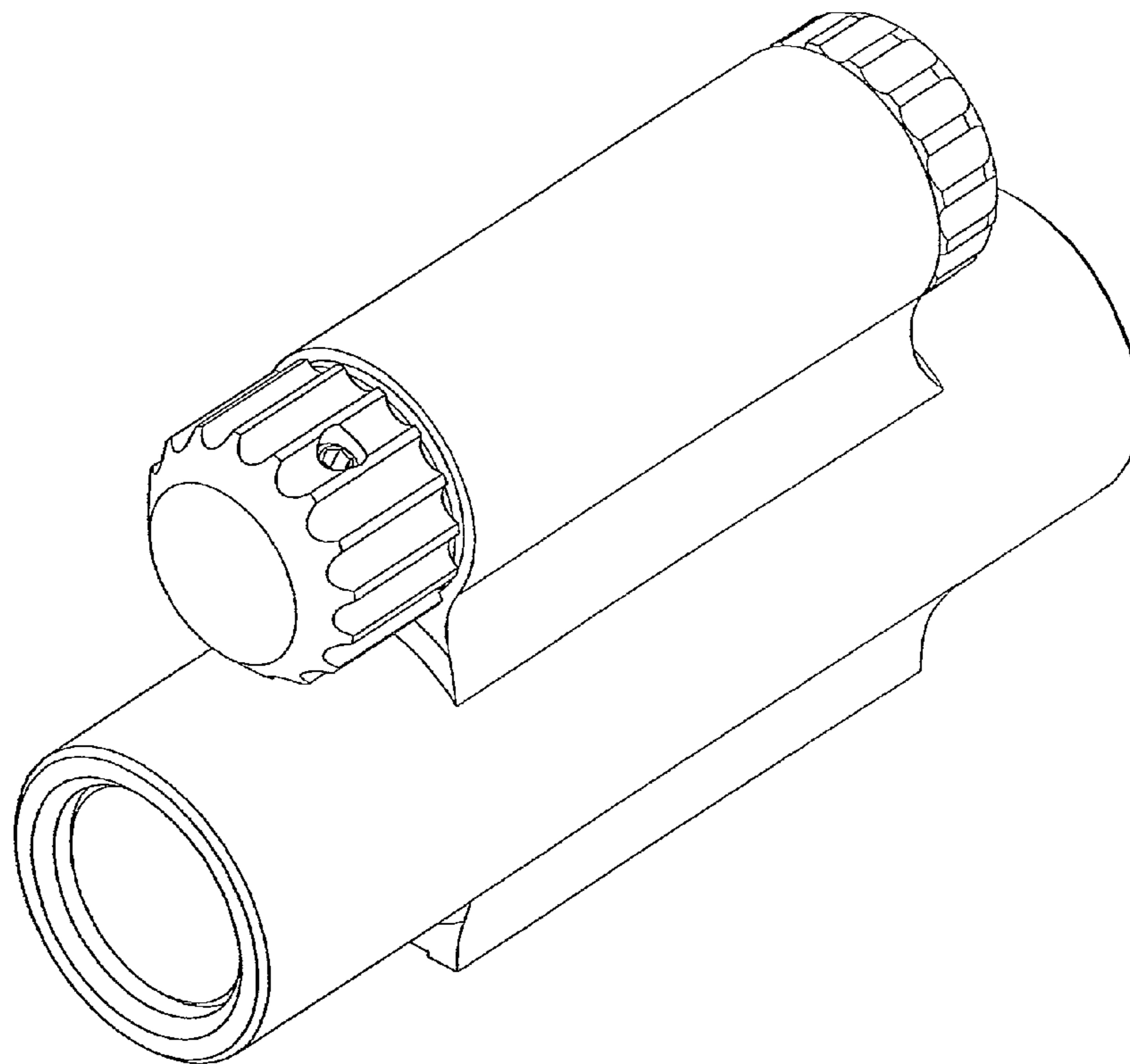
FIG. 5 is an end view of my new sight from the end opposite
that of FIG. 2;

FIG. 6 is a top plan view thereof; and,

FIG. 7 is a bottom plan view thereof.

The broken line showing of the two inner concentric circles of
the bottom portion of FIG. 5 and of the four circular elements
of FIG. 7 is for the purpose of illustrating environmental
structure and forms no part of the claimed design.

1 Claim, 7 Drawing Sheets



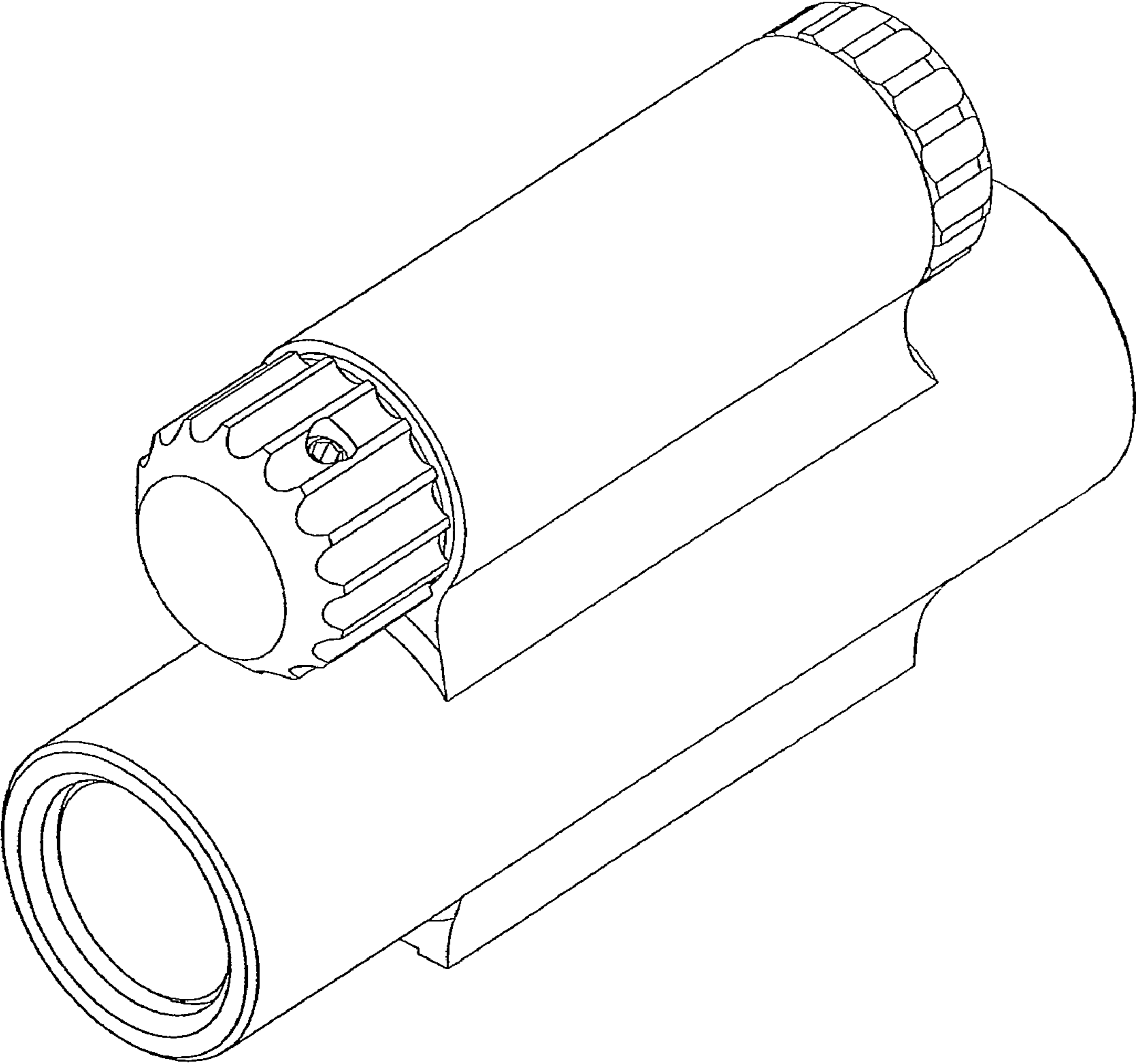


FIG. 1

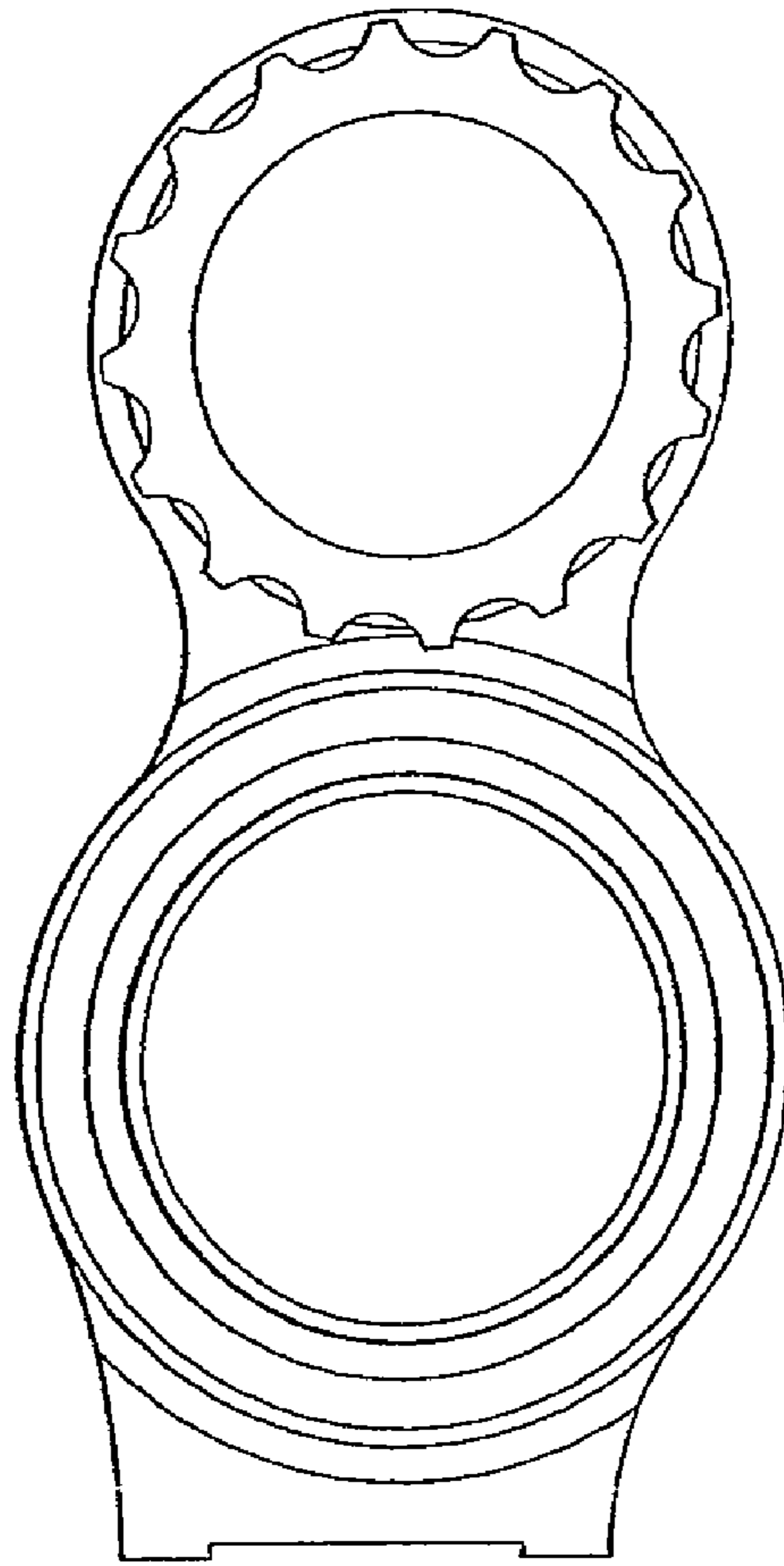


FIG. 2

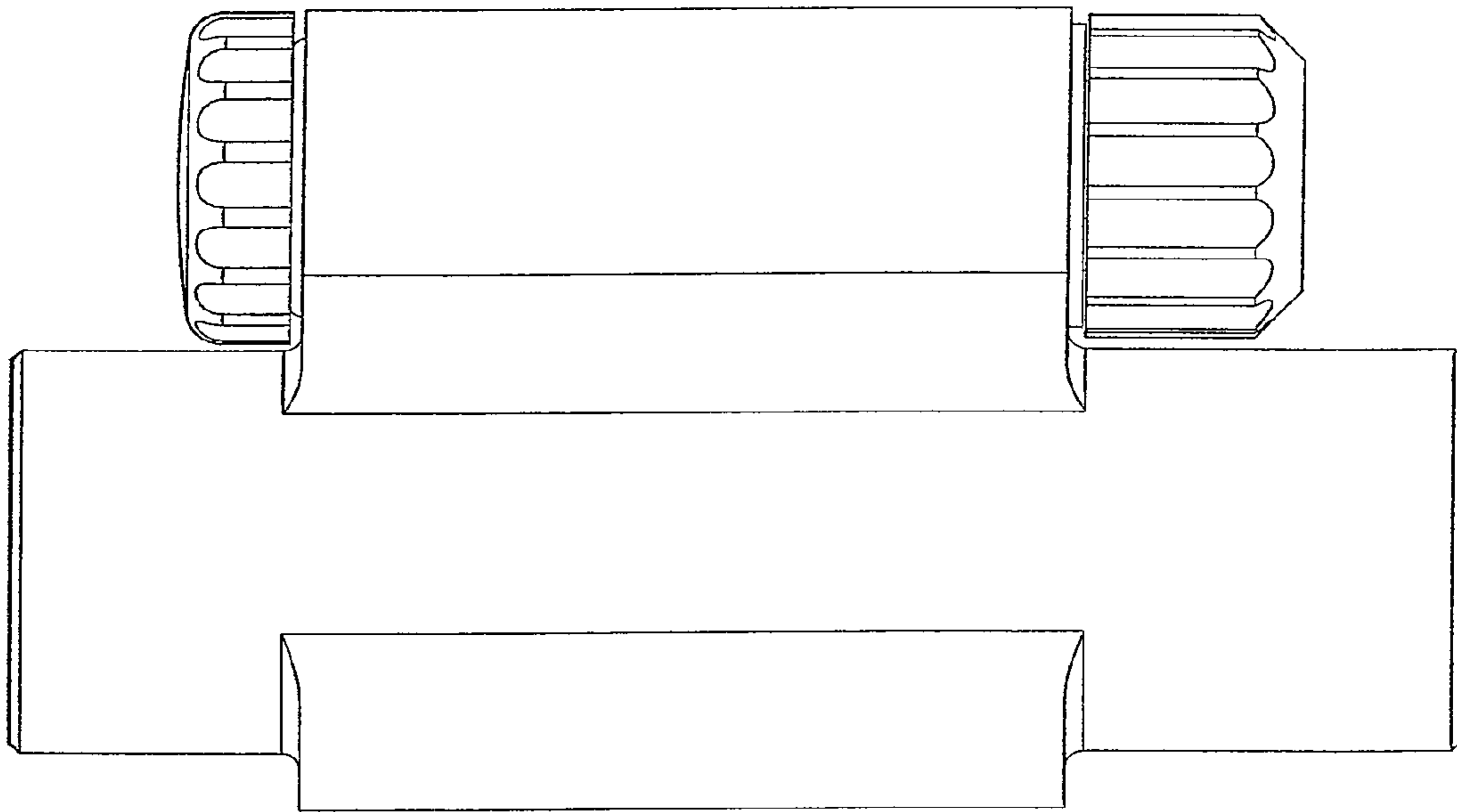


FIG. 3

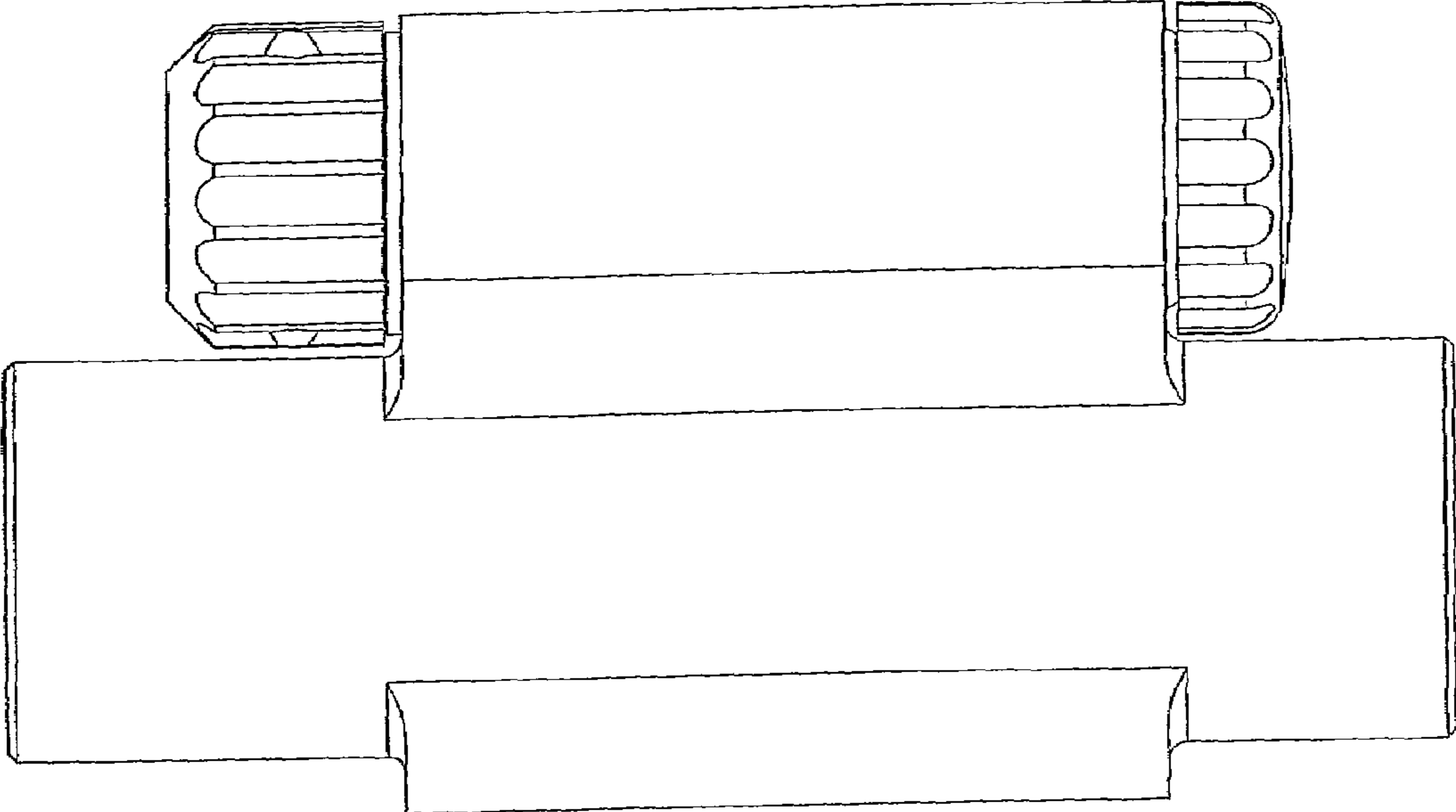


FIG. 4

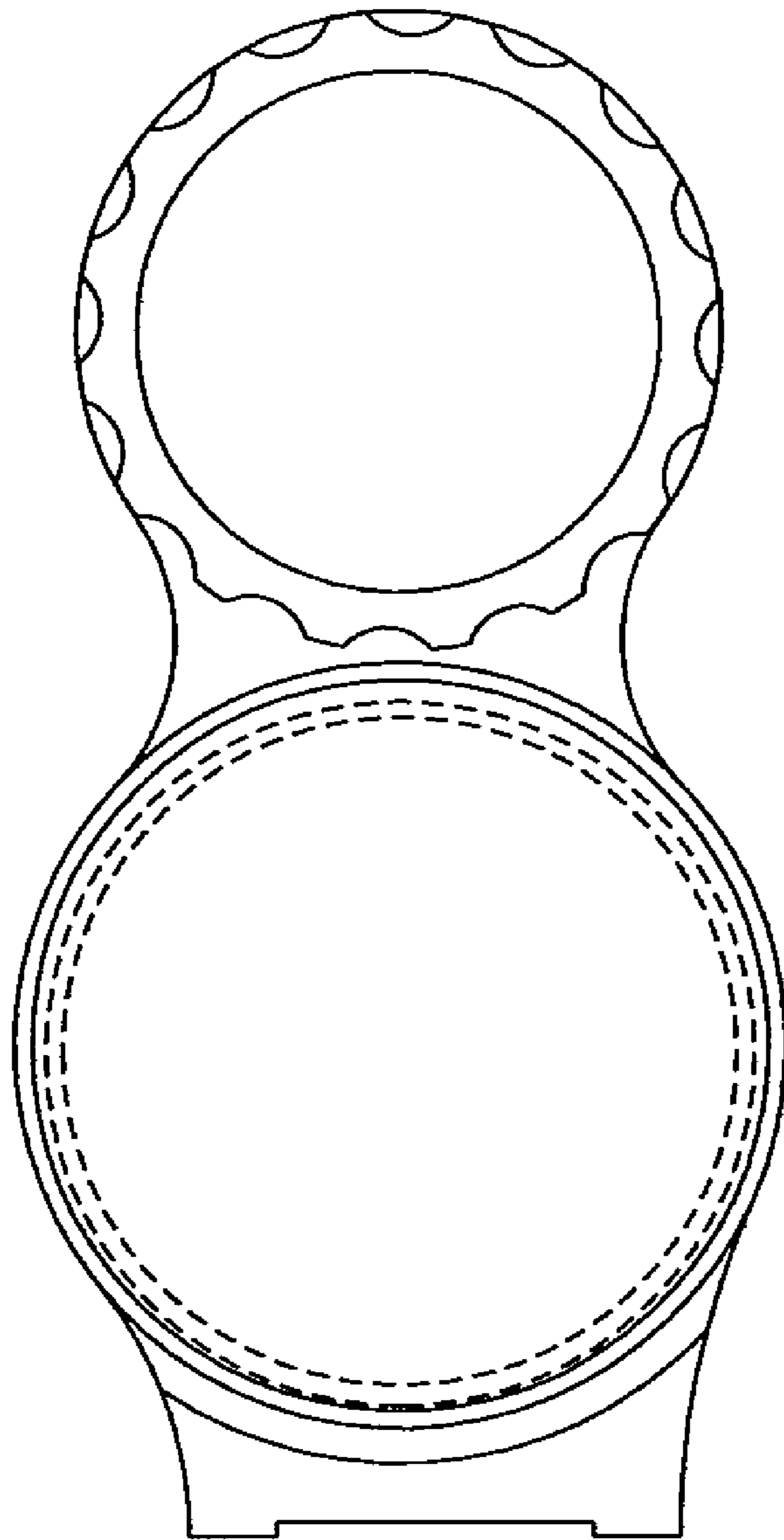


FIG. 5

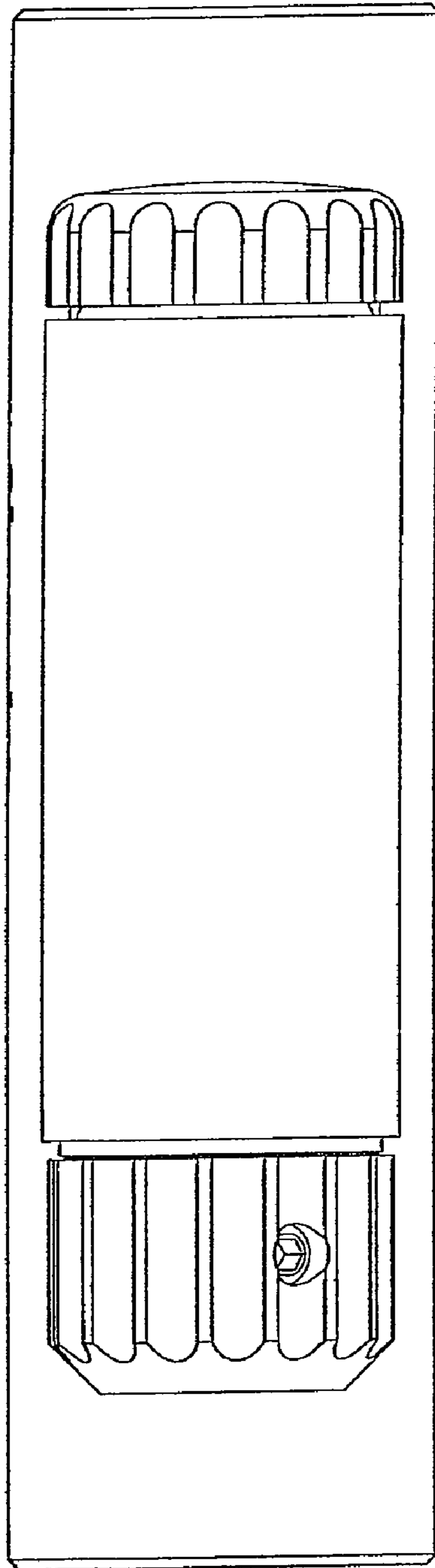


FIG. 6

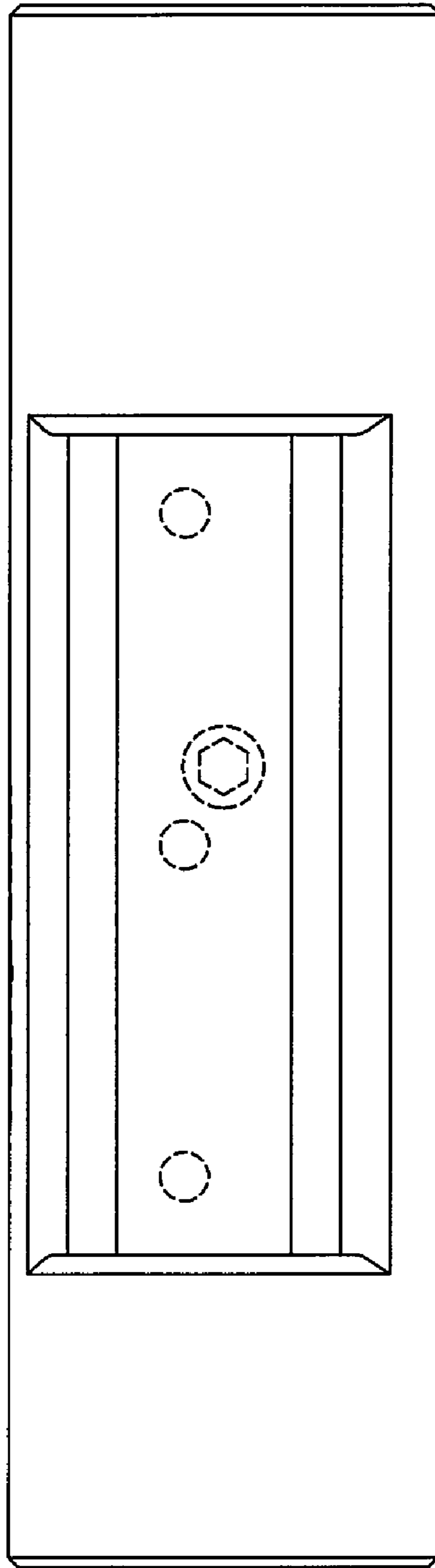


FIG. 7