



US00D604381S

(12) **United States Design Patent**  
**Miller**

(10) **Patent No.:** **US D604,381 S**

(45) **Date of Patent:** **\*\* Nov. 17, 2009**

(54) **BOW MOUNT**

(76) **Inventor:** **John L. Miller**, 87 NW. 39th Street Ct.,  
Bradenton, FL (US) 34205

(\*\*) **Term:** **14 Years**

(21) **Appl. No.:** **29/341,250**

(22) **Filed:** **Aug. 1, 2009**

(51) **LOC (9) Cl.** ..... **22-01**

(52) **U.S. Cl.** ..... **D22/107**

(58) **Field of Classification Search** ..... D22/107,  
D22/108, 109, 110, 199; D29/130; D8/349,  
D8/354, 380, 382, 394-396, 499; 89/37.04;  
D26/37, 46, 47, 48, 49; 362/157-158, 183,  
362/184, 190, 194-196, 197, 202-208, 187,  
362/192, 193; 359/399, 823, 744; 42/111,  
42/133, 119, 122; D16/130, 132; D11/79;  
124/92

See application file for complete search history.

(56) **References Cited**

**U.S. PATENT DOCUMENTS**

918,181	A	4/1909	Meadows	
1,095,686	A	5/1914	Webb	
2,949,825	A *	8/1960	Walton et al.	89/41.16
D227,742	S *	7/1973	Logson	D8/354
D241,314	S *	9/1976	Hug	D8/395
D251,672	S	4/1979	Bechtel	
D286,424	S	10/1986	Ekstrand	
4,640,258	A	2/1987	Penney	
4,755,914	A	7/1988	Bretl	
D342,537	S	12/1993	Olson	
D353,012	S	11/1994	Mihavetz	
5,448,459	A	9/1995	Rogers	
5,520,164	A	5/1996	Huddleston	
D375,890	S *	11/1996	Takai	D8/380

D387,652	S *	12/1997	Carlson, Jr.	D8/356
5,797,670	A	8/1998	Snoke	
D408,273	S *	4/1999	Senninger	D8/356
D422,045	S	3/2000	Fell	
D433,478	S	11/2000	Edgar	
D435,284	S	12/2000	Sutula	
D438,453	S *	3/2001	Nelson et al.	D8/395
D440,005	S *	4/2001	Blanton	D26/138
D440,624	S	4/2001	Case	
D487,482	S *	3/2004	Disher	D19/65
D506,385	S *	6/2005	Brown	D8/396
D526,079	S	8/2006	Huen	
D556,850	S *	12/2007	Kincel	D22/108
D594,318	S	6/2009	Fell	
D597,402	S *	8/2009	Garza	D8/380
2002/0105797	A1	8/2002	Navid	
2009/0009987	A1	1/2009	Graham	

\* cited by examiner

*Primary Examiner*—T. Chase Nelson

*Assistant Examiner*—Michael A Pratt

(74) *Attorney, Agent, or Firm*—Dorothy S. Morse

(57) **CLAIM**

The ornamental design for a bow mount, as shown.

**DESCRIPTION**

FIG. 1 is a perspective view of the invention;

FIG. 2 is a bottom view of the invention;

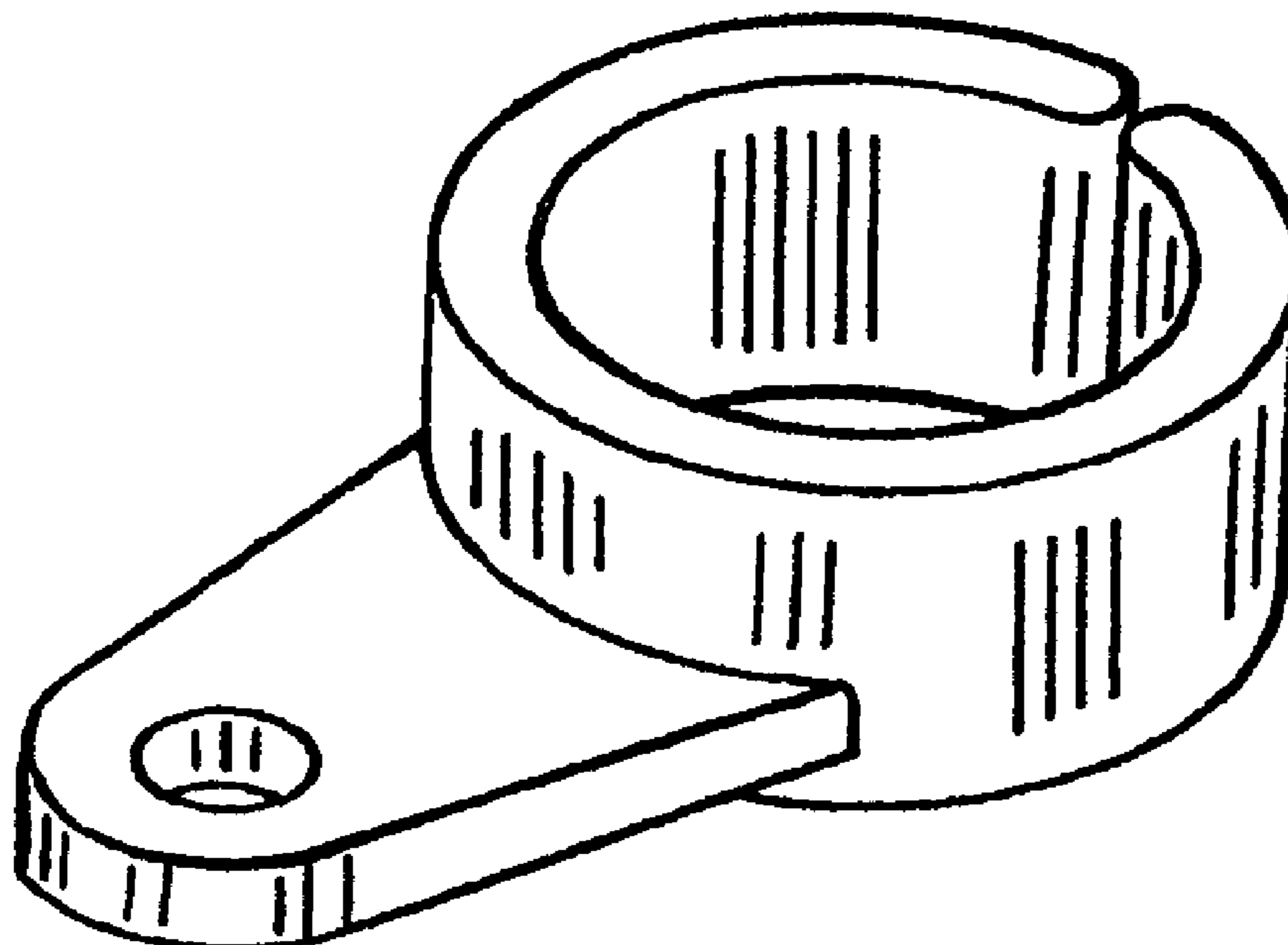
FIG. 3 is a front view of the invention;

FIG. 4 is a right side view of the invention, with the left side being a mirror image thereof;

FIG. 5 is a rear view of the invention; and,

FIG. 6 is view of the invention in a position of use, with the broken lines forming no part of the invention.

**1 Claim, 2 Drawing Sheets**



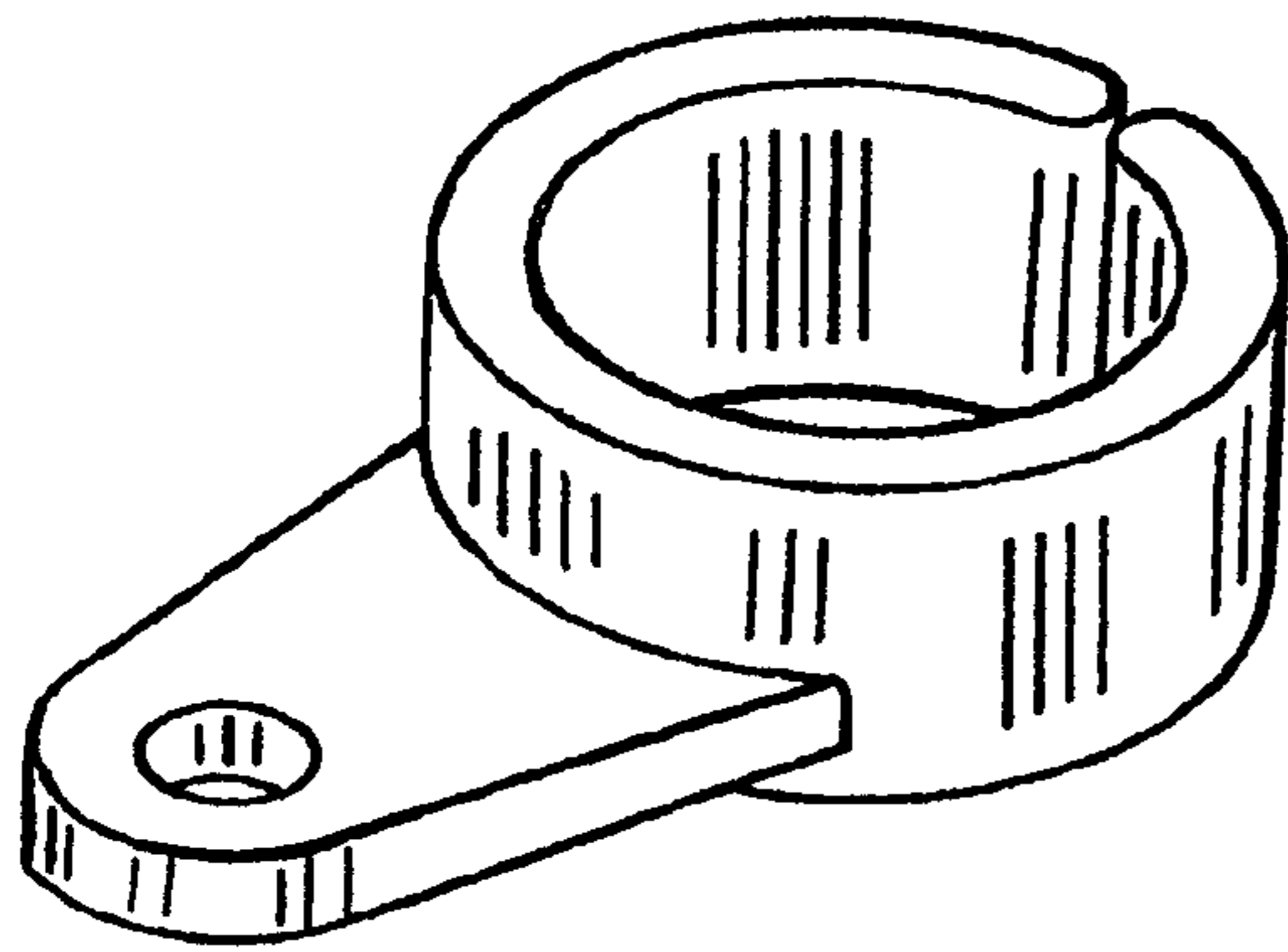


FIG. 1

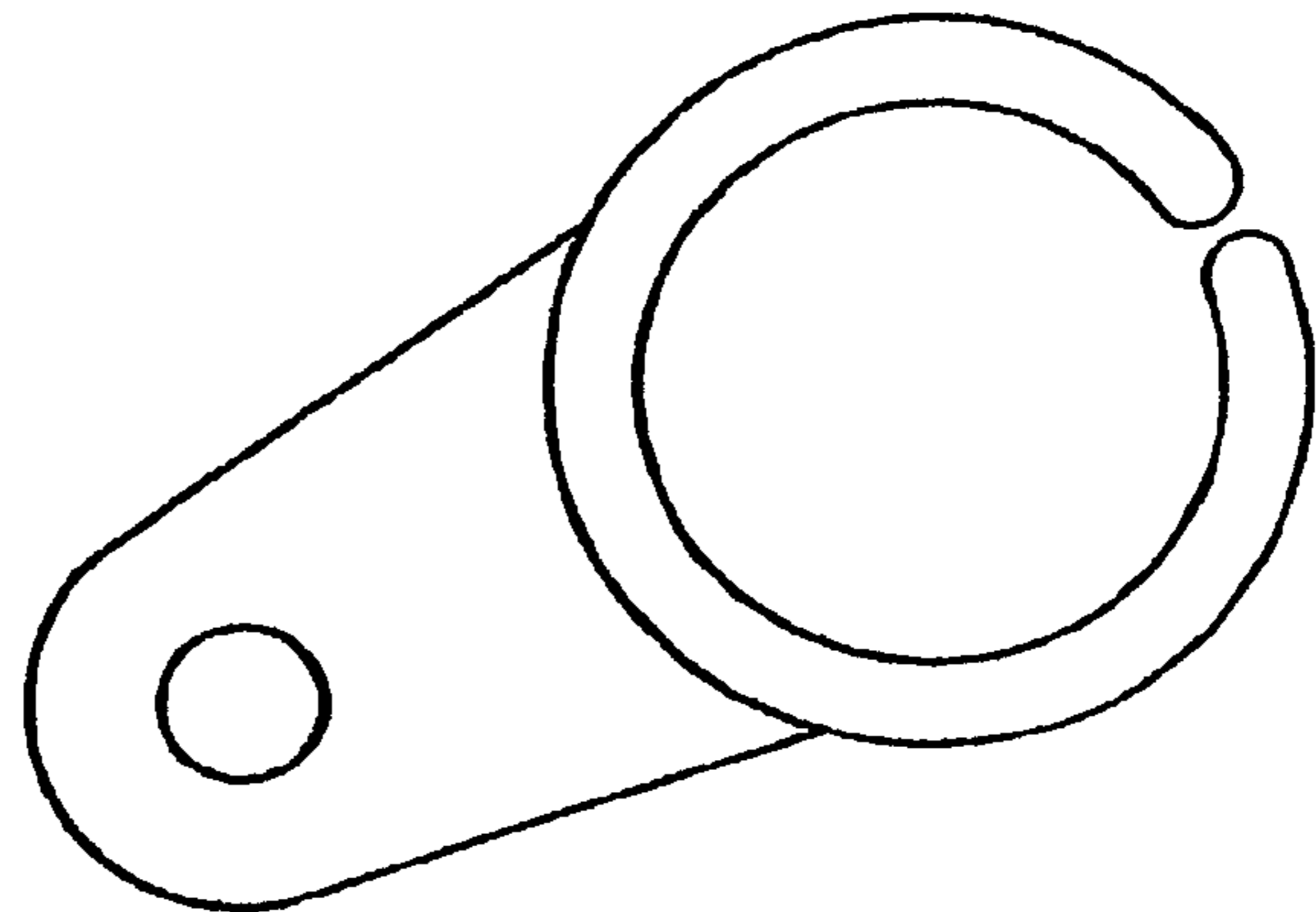


FIG. 2

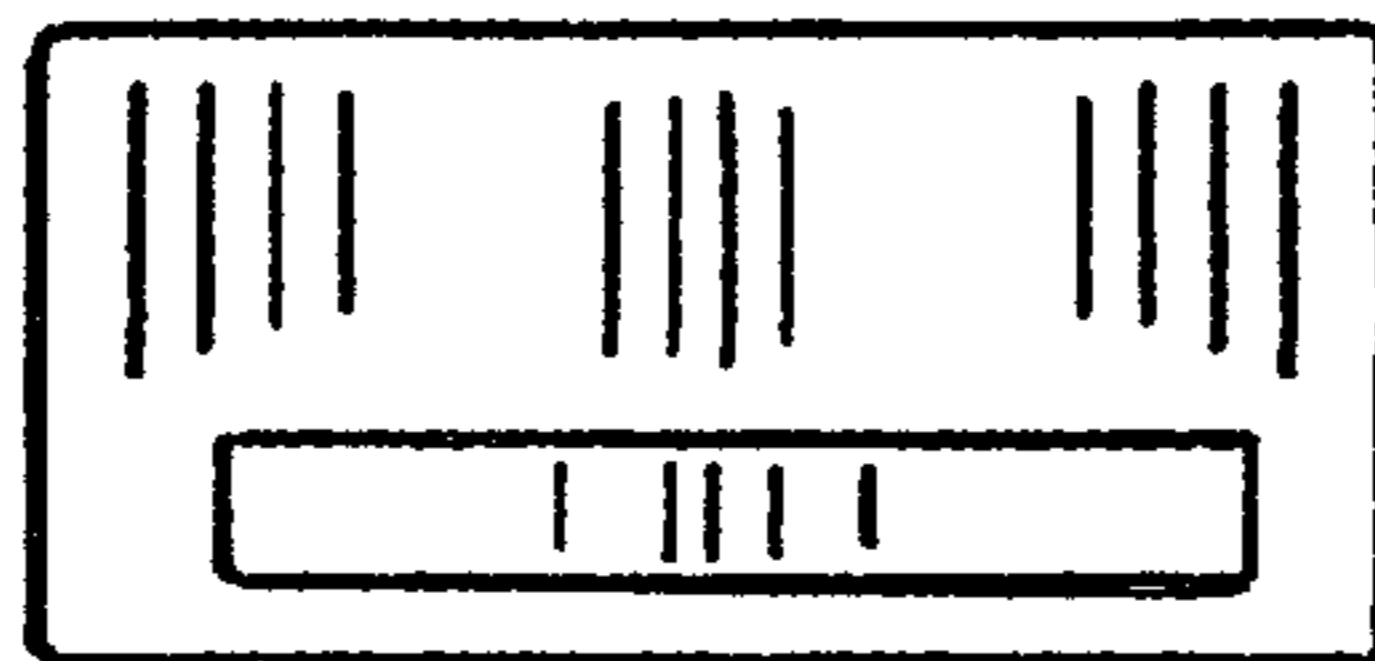


FIG. 3



FIG. 4

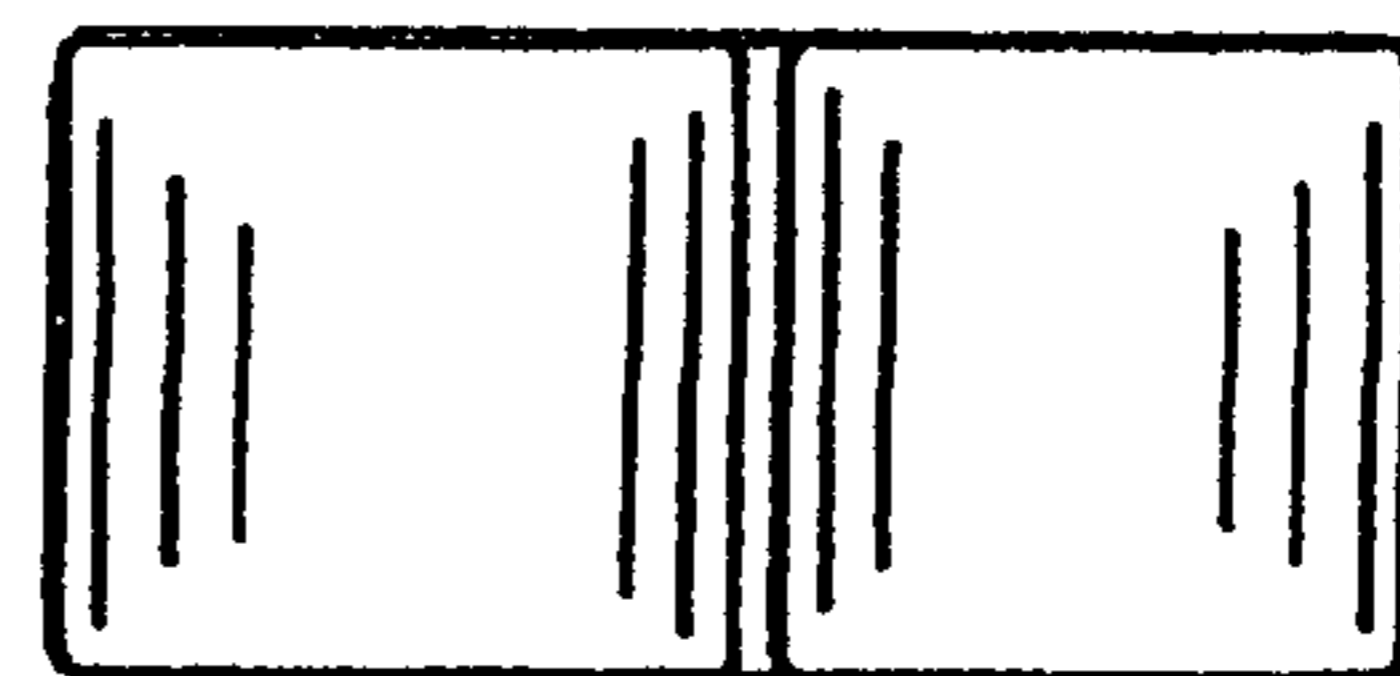
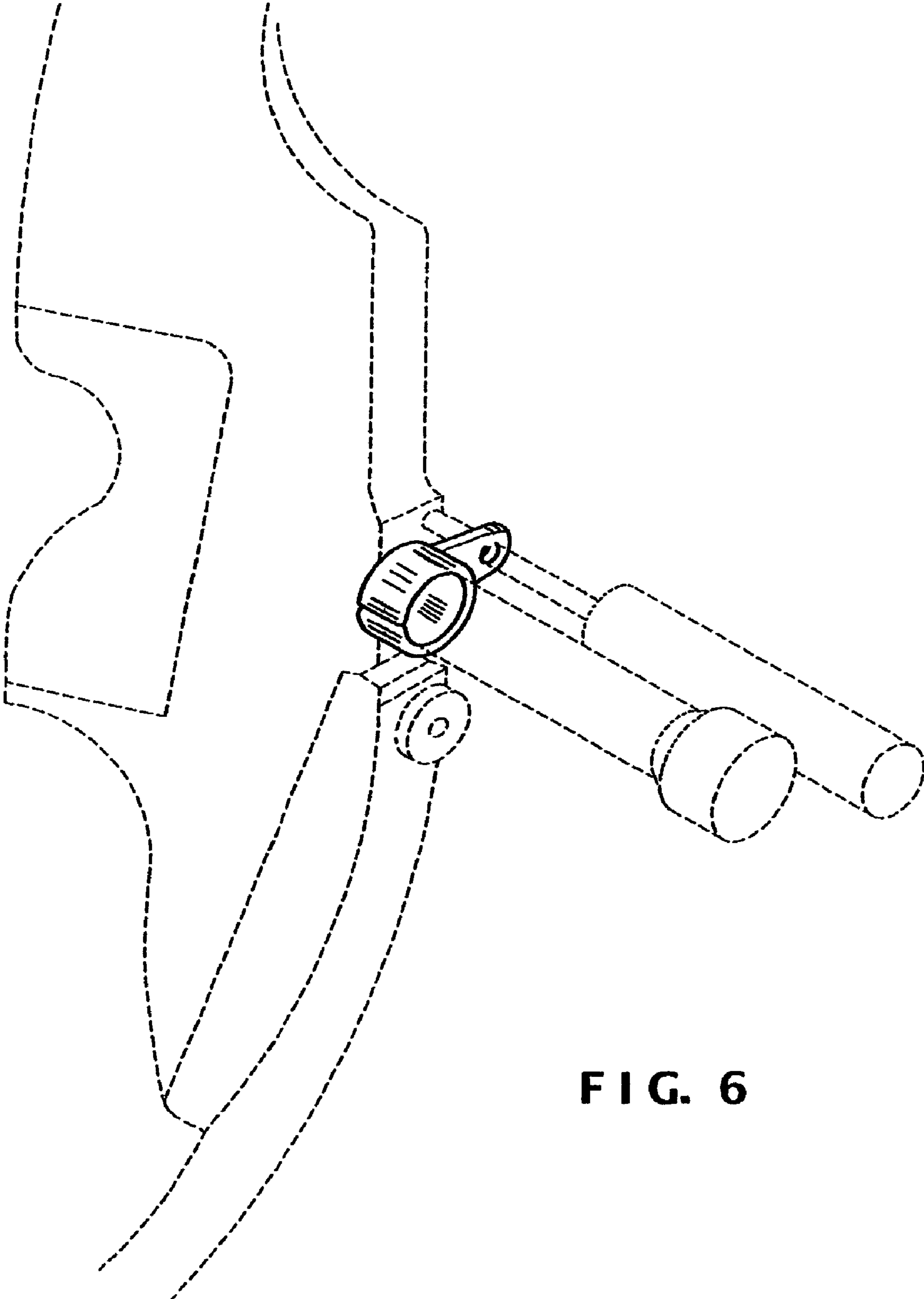


FIG. 5



**FIG. 6**