



US00D604380S

(12) **United States Design Patent**  
**Garcia**

(10) **Patent No.:** **US D604,380 S**

(45) **Date of Patent:** **\*\* \*Nov. 17, 2009**

(54) **LIFE SAVING FLOTATION DEVICE**

(76) Inventor: **Ernesto Garcia**, 10672 Cayenne Way,  
Fontana, CA (US) 92337

(\*) Notice: This patent is subject to a terminal disclaimer.

(\*\*) Term: **14 Years**

(21) Appl. No.: **29/305,611**

(22) Filed: **Mar. 25, 2008**

(51) **LOC (9) Cl.** ..... **21-06**

(52) **U.S. Cl.** ..... **D21/804; D21/805**

(58) **Field of Classification Search** ..... D21/769-770,  
D21/801, 803-805, 809; D6/392, 595, 596,  
D6/601, 604, 605; D12/5, 6, 316, 128; 472/128-129;  
114/253, 345, 346; 441/35, 40-42, 66, 129-132;  
D24/123, 183, 189; 5/630, 652, 653  
See application file for complete search history.

(56) **References Cited**

**U.S. PATENT DOCUMENTS**

5,060,314	A	10/1991	Lewis	
D339,217	S *	9/1993	McCue et al.	D29/101.1
D342,348	S *	12/1993	Panarelli	D29/101.1
5,409,412	A *	4/1995	Colon	441/129
D360,440	S *	7/1995	Banks et al.	D29/100
5,569,057	A *	10/1996	Barsdorf et al.	441/65
D391,682	S *	3/1998	Palembas	D29/101.1

5,766,114	A	6/1998	Campbell	
D410,303	S *	5/1999	Hawkinson	D29/101.1
D447,838	S *	9/2001	Masuda	D29/101.1
D451,569	S *	12/2001	Marx	D21/805
D454,986	S *	3/2002	Casebolt et al.	D29/101.1
D475,813	S *	6/2003	Moreno	D29/100
6,582,267	B1	6/2003	Steger	
D490,938	S *	6/2004	Wydner	D29/101.1
D555,289	S *	11/2007	Escarcega	D29/101.4

\* cited by examiner

*Primary Examiner*—Janice E. Seeger

*Assistant Examiner*—Zenia I Bennett

(57) **CLAIM**

The ornamental design for a life saving flotation device, as shown and described.

**DESCRIPTION**

FIG. 1 is a front elevation view of a life saving flotation device showing my new design;

FIG. 2 is a rear elevation view thereof;

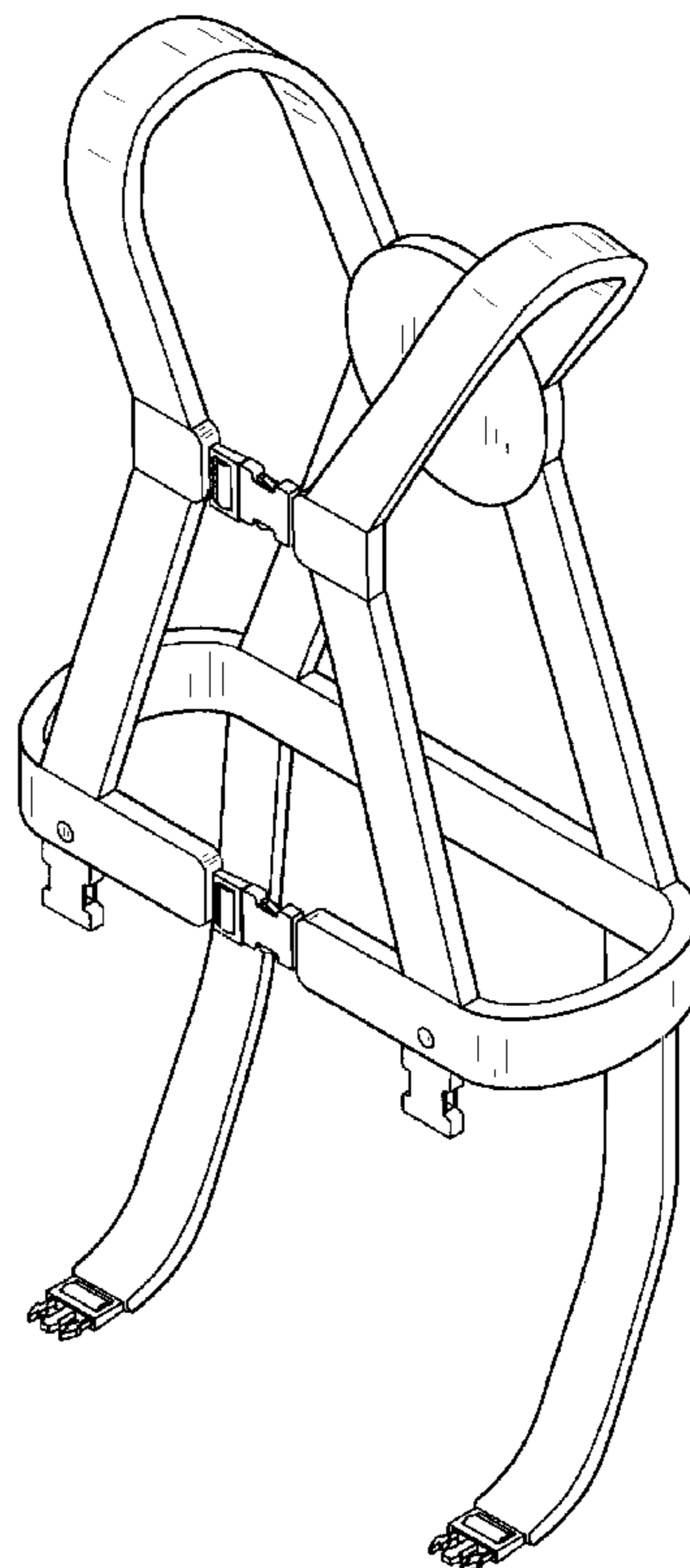
FIG. 3 is a right elevation view thereof;

FIG. 4 is a top plan view thereof;

FIG. 5 is a bottom plan view thereof; and,

FIG. 6 is an isometric view thereof showing the two bottom straps in an alternate position.

**1 Claim, 3 Drawing Sheets**



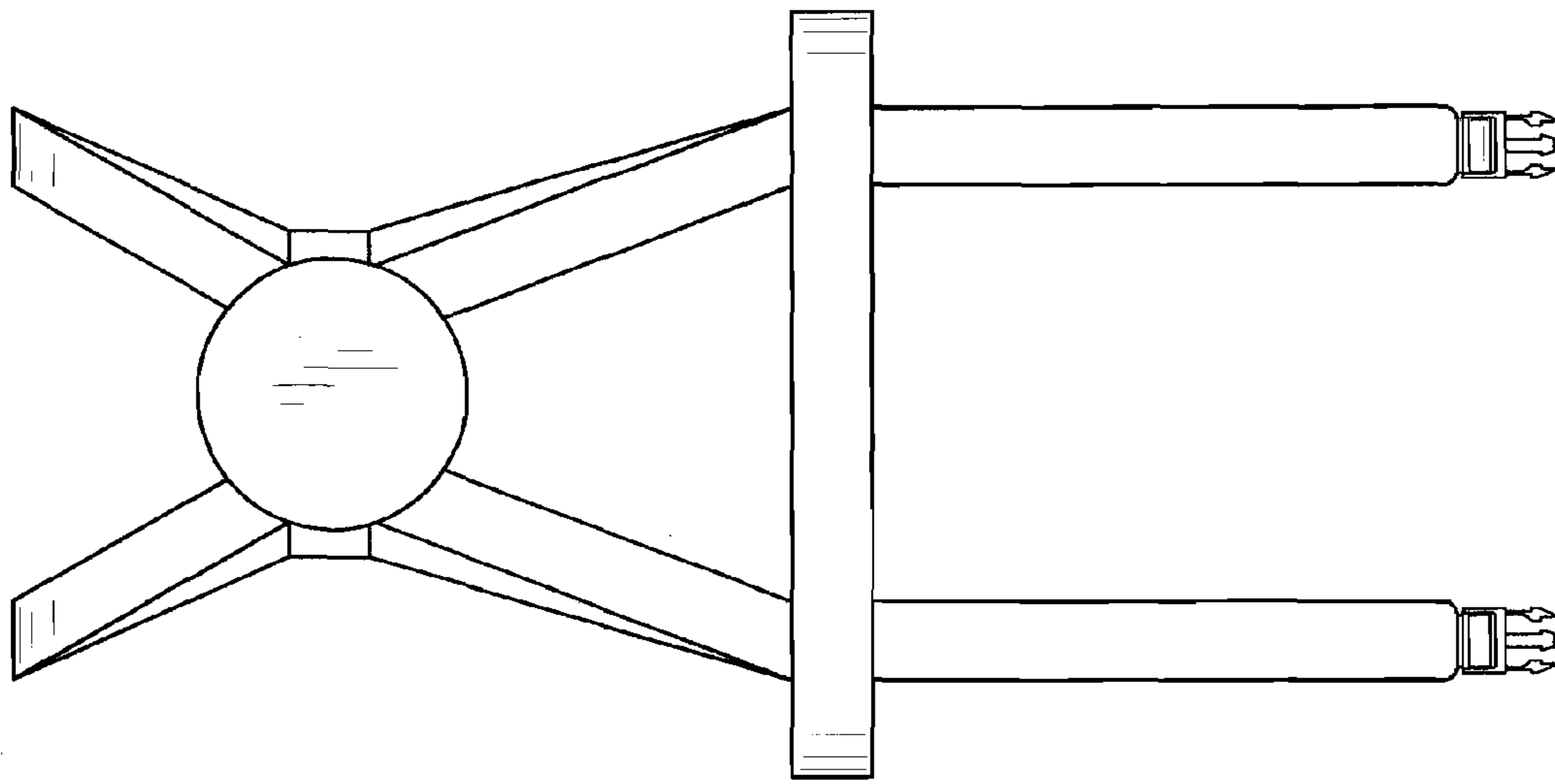


FIG. 2

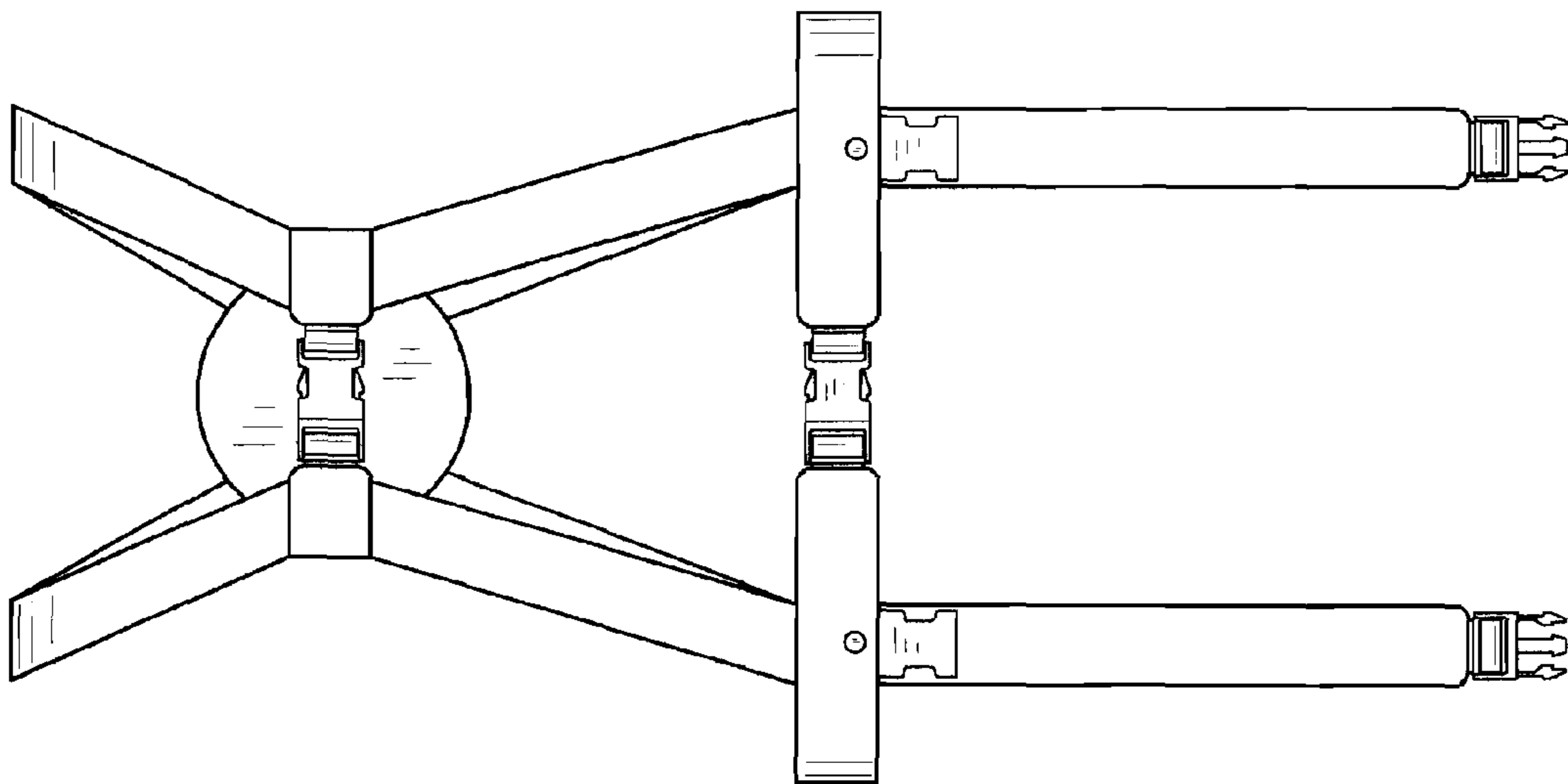


FIG. 1

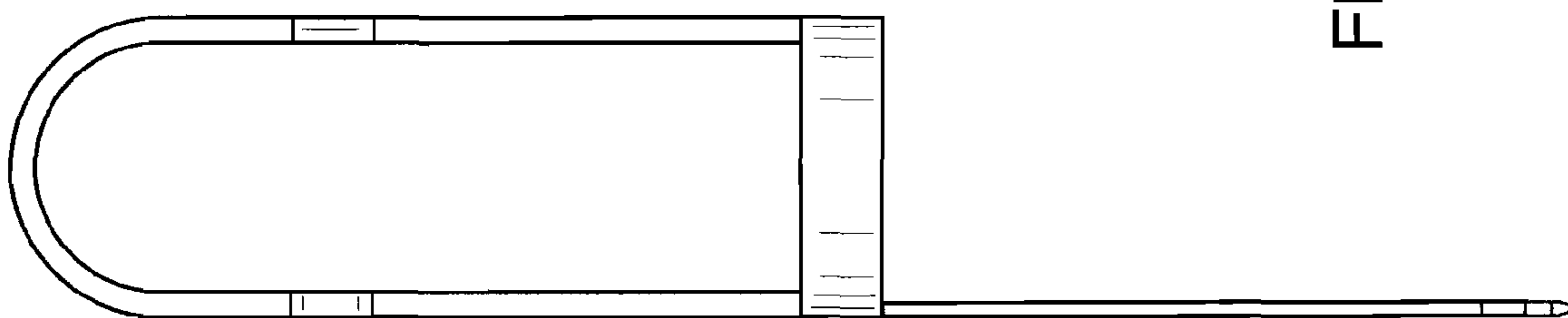


FIG. 3

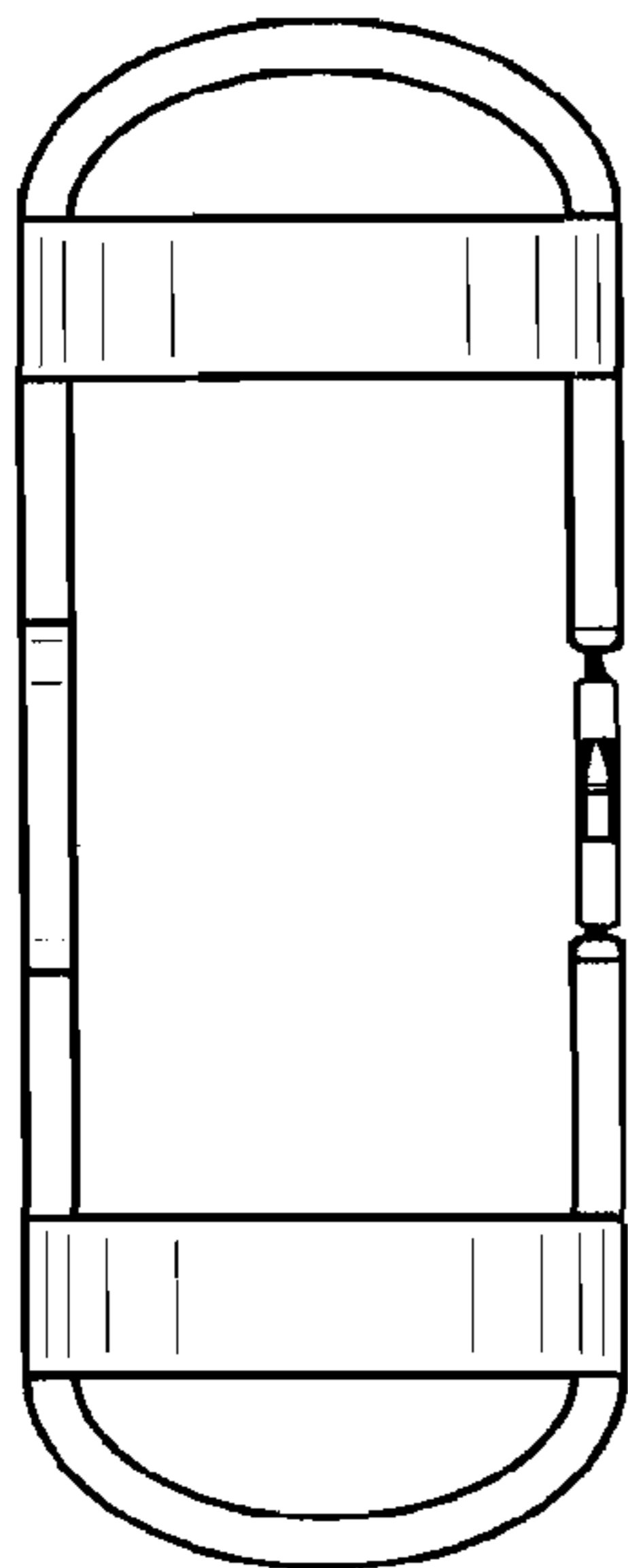


FIG. 4

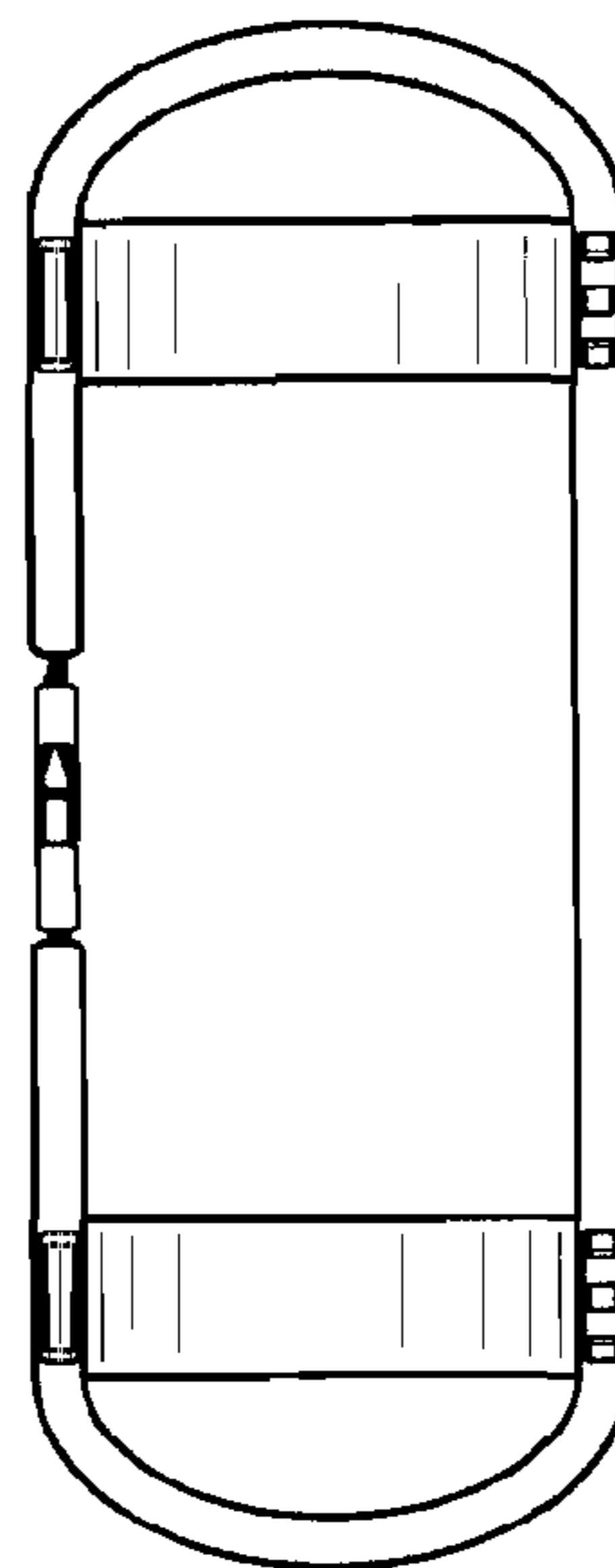


FIG. 5

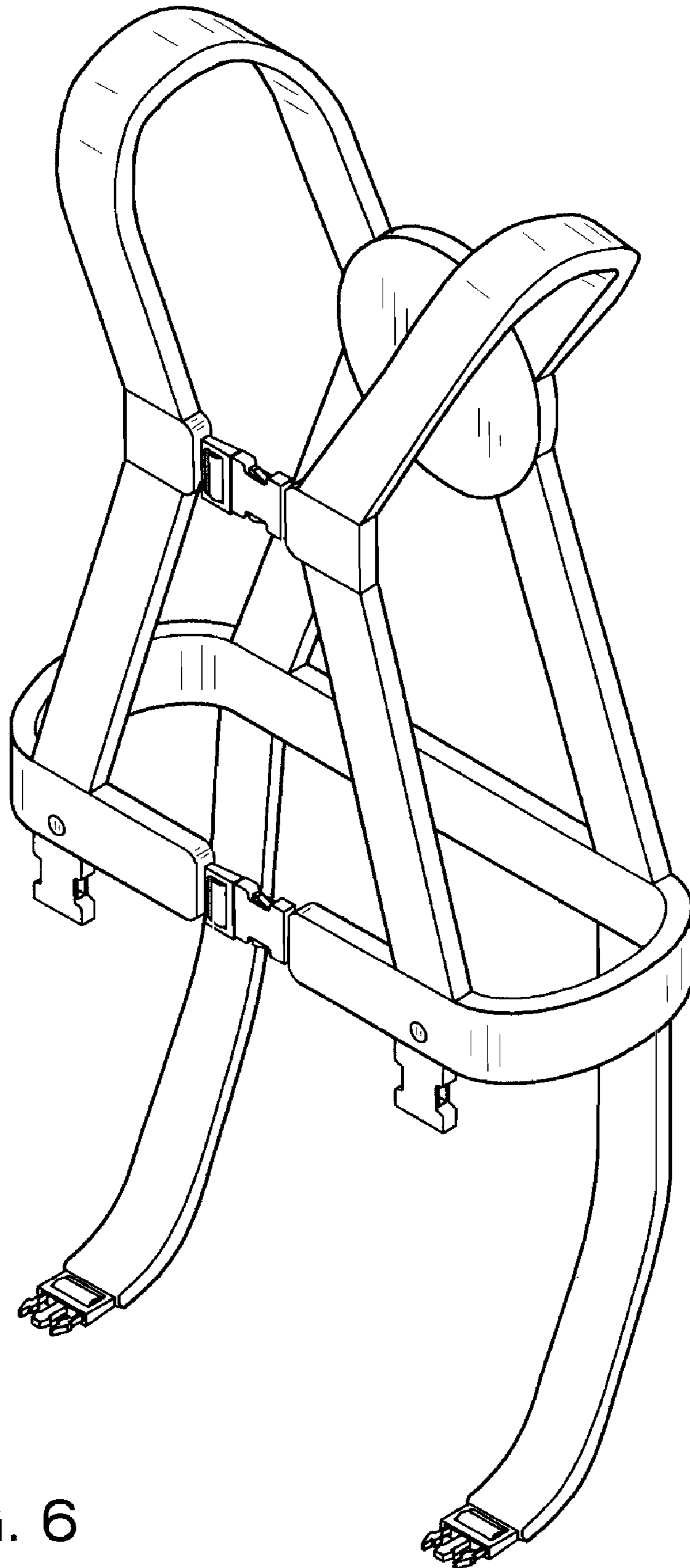


FIG. 6