



US00D604378S

(12) **United States Design Patent**
Mixdorf

(10) **Patent No.:** **US D604,378 S**

(45) **Date of Patent:** **** Nov. 17, 2009**

(54) **SKATE SQUEEGEE**

4,673,196 A 6/1987 Hall

(75) Inventor: **Brian M. Mixdorf**, New Ulm, MN (US)

(Continued)

(73) Assignee: **WLR Enterprises, LLC**, New Ulm, MN (US)

FOREIGN PATENT DOCUMENTS

(**) Term: **14 Years**

GB 2 258 807 A 2/1993

(21) Appl. No.: **29/333,448**

(22) Filed: **Mar. 10, 2009**

Primary Examiner—Holly H Baynham

Assistant Examiner—Cynthia M Chin

(51) **LOC (9) Cl.** **21-02**

(52) **U.S. Cl.** **D21/771**

(58) **Field of Classification Search** D21/771;
D8/91; D32/41, 47; 280/809, 811, 825;
401/6, 10; 451/490, 523, 524, 545, 555,
451/558

(74) *Attorney, Agent, or Firm*—Patterson, Thuente, Skaar & Christensen, P.A.

See application file for complete search history.

(57) **CLAIM**

We claim the ornamental design for a skate squeegee, as shown and described.

(56) **References Cited**

DESCRIPTION

U.S. PATENT DOCUMENTS

130,925 A	8/1872	Little	
1,310,137 A	7/1919	Sadowsky	
1,542,279 A	6/1925	Turner et al.	
1,952,476 A	3/1934	Barlow	
1,952,477 A	3/1934	Stich	
2,334,796 A	11/1943	Steinmetz et al.	
2,826,774 A	3/1958	Skrainka	
2,903,727 A	9/1959	Rattay	
2,903,731 A	9/1959	Huhtala	
2,954,572 A	10/1960	Skrainka	
3,157,973 A *	11/1964	Chattillion	451/558
3,583,720 A	6/1971	Fowlkes	
3,637,231 A	1/1972	Weidenbacker	
3,670,459 A	6/1972	Welton	
3,841,030 A	10/1974	Laszlo	
3,968,535 A	7/1976	Nichols, Jr.	
4,021,054 A	5/1977	Csutor	
4,219,975 A	9/1980	Scholler	
4,264,090 A	4/1981	Davies	
4,382,616 A	5/1983	Olivieri	
4,392,674 A	7/1983	Evon	
4,546,999 A	10/1985	Lehr	
4,616,428 A	10/1986	Leger	

FIG. 1 is a top perspective view of a skate squeegee according to the invention.

FIG. 2 is a bottom perspective view of the skate squeegee of FIG. 1.

FIG. 3 is a left side elevational view of the skate squeegee of FIG. 1.

FIG. 4 is a right side elevational view of the skate squeegee of FIG. 1.

FIG. 5 is a top plan view of the skate squeegee of FIG. 1.

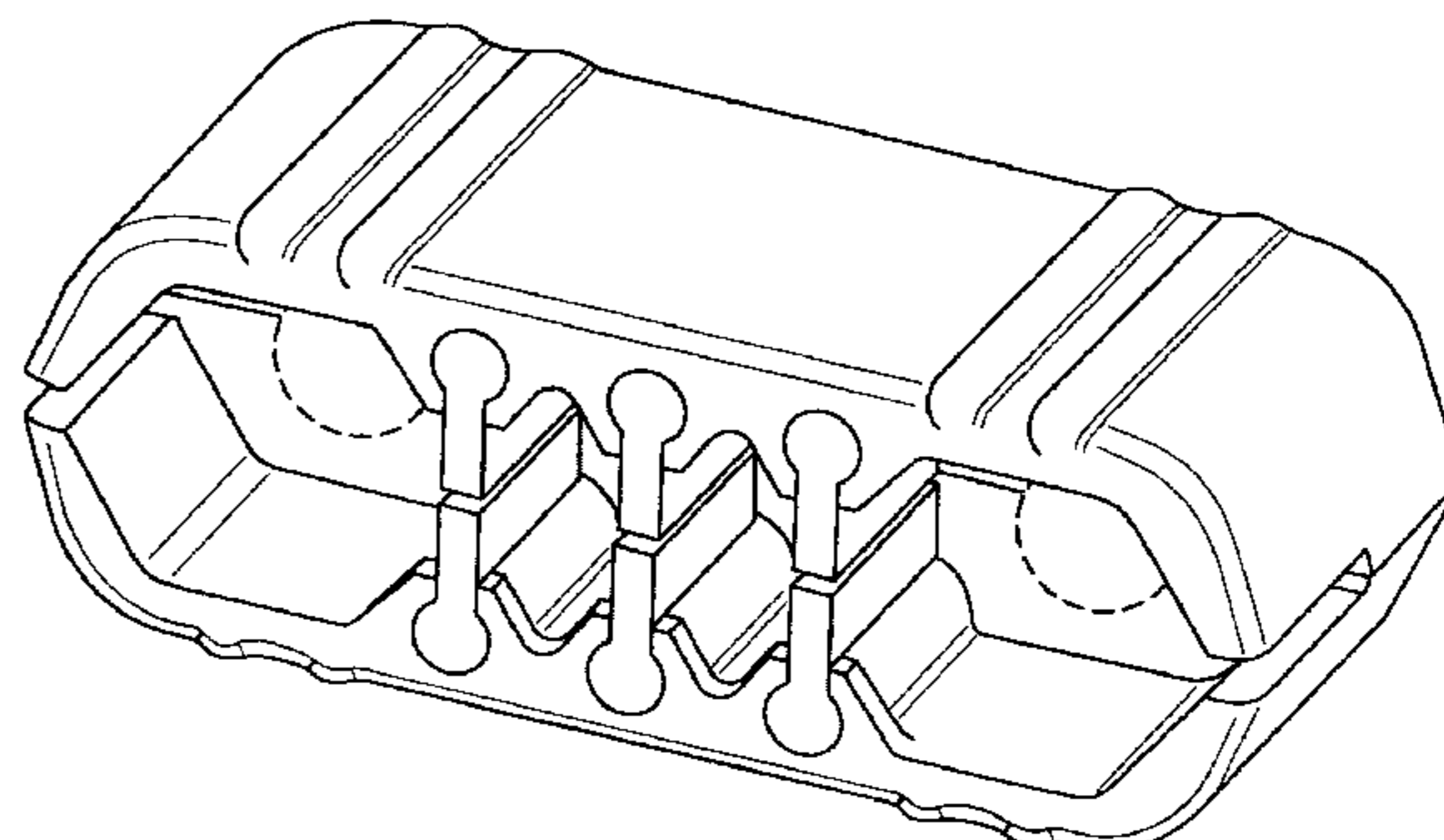
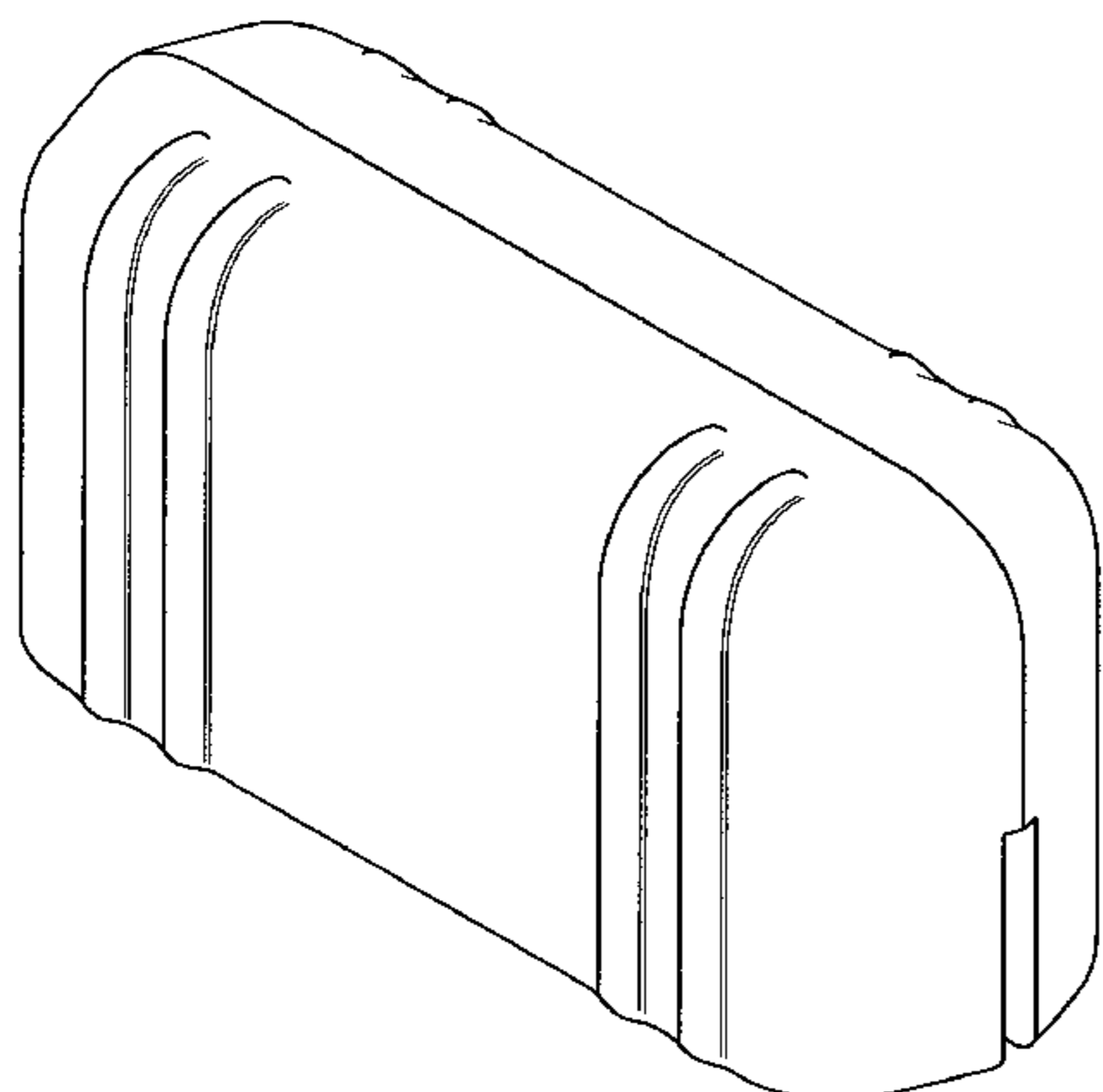
FIG. 6 is a front elevational view of the skate squeegee of FIG. 1.

FIG. 7 is a rear elevational view of the skate squeegee of FIG. 1; and,

FIG. 8 is a bottom plan view of the skate squeegee of FIG. 1.

The portions of the figures shown in dashed lines are for illustrative purposes only and form no part of the claimed invention.

1 Claim, 3 Drawing Sheets



US D604,378 S

Page 2

U.S. PATENT DOCUMENTS

5,167,170	A	12/1992	Croteau	7,055,204	B2	6/2006	Ajluni
5,255,929	A	10/1993	Lemelson	7,065,483	B2	6/2006	Decary et al.
5,320,366	A	6/1994	Shing	D529,361	S *	10/2006	Brookman D8/91
5,383,307	A *	1/1995	Anderson 451/545	7,125,327	B2 *	10/2006	Wu 451/490
5,426,895	A *	6/1995	Siciliano et al. 451/523	7,197,531	B2	3/2007	Anderson
5,431,597	A *	7/1995	Anderson 451/558	7,280,957	B2	10/2007	Newman et al.
5,569,064	A	10/1996	Gleadall	7,357,420	B2	4/2008	Hyser
5,607,347	A	3/1997	Schoen et al.	7,469,444	B1	12/2008	Thomas
5,697,719	A *	12/1997	Nicholson 401/10	2004/0237350	A1	12/2004	Latham et al.
5,809,605	A	9/1998	Gringer	2005/0082773	A1	4/2005	Julien
5,833,270	A	11/1998	Hubshman	2005/0109372	A1	5/2005	Massaro
5,860,182	A	1/1999	Sareyani	2005/0134010	A1	6/2005	Blankenburg et al.
5,879,229	A	3/1999	Anderson	2005/0198757	A1	9/2005	Gavney, Jr. et al.
5,916,018	A	6/1999	Watt	2006/0036966	A1	2/2006	Yevdayev
5,941,568	A	8/1999	White, II	2006/0059128	A1	3/2006	Ruggle et al.
6,030,283	A	2/2000	Anderson	2006/0065076	A1	3/2006	Friol
D434,889	S *	12/2000	Krohn D32/47	2006/0248021	A1	11/2006	Jain et al.
6,312,017	B1	11/2001	Hardwick et al.	2006/0248048	A1	11/2006	Jain et al.
6,322,266	B1	11/2001	Traynor	2006/0288087	A1	12/2006	Sun
6,666,479	B1	12/2003	Maddaleni	2007/0106694	A1	5/2007	Mori et al.
6,851,680	B2	2/2005	Pham et al.	2007/0130126	A1	6/2007	Lucovsky et al.
6,866,569	B2	3/2005	Cozzini	2007/0208613	A1	9/2007	Backer
6,983,282	B2	1/2006	Stern et al.	2007/0282887	A1	12/2007	Fischer et al.
7,031,961	B2	4/2006	Pitkow et al.	2008/0005125	A1	1/2008	Gaedeke
7,054,886	B2	5/2006	Stern et al.	2008/0289128	A1	11/2008	Billig et al.

* cited by examiner

Fig. 1

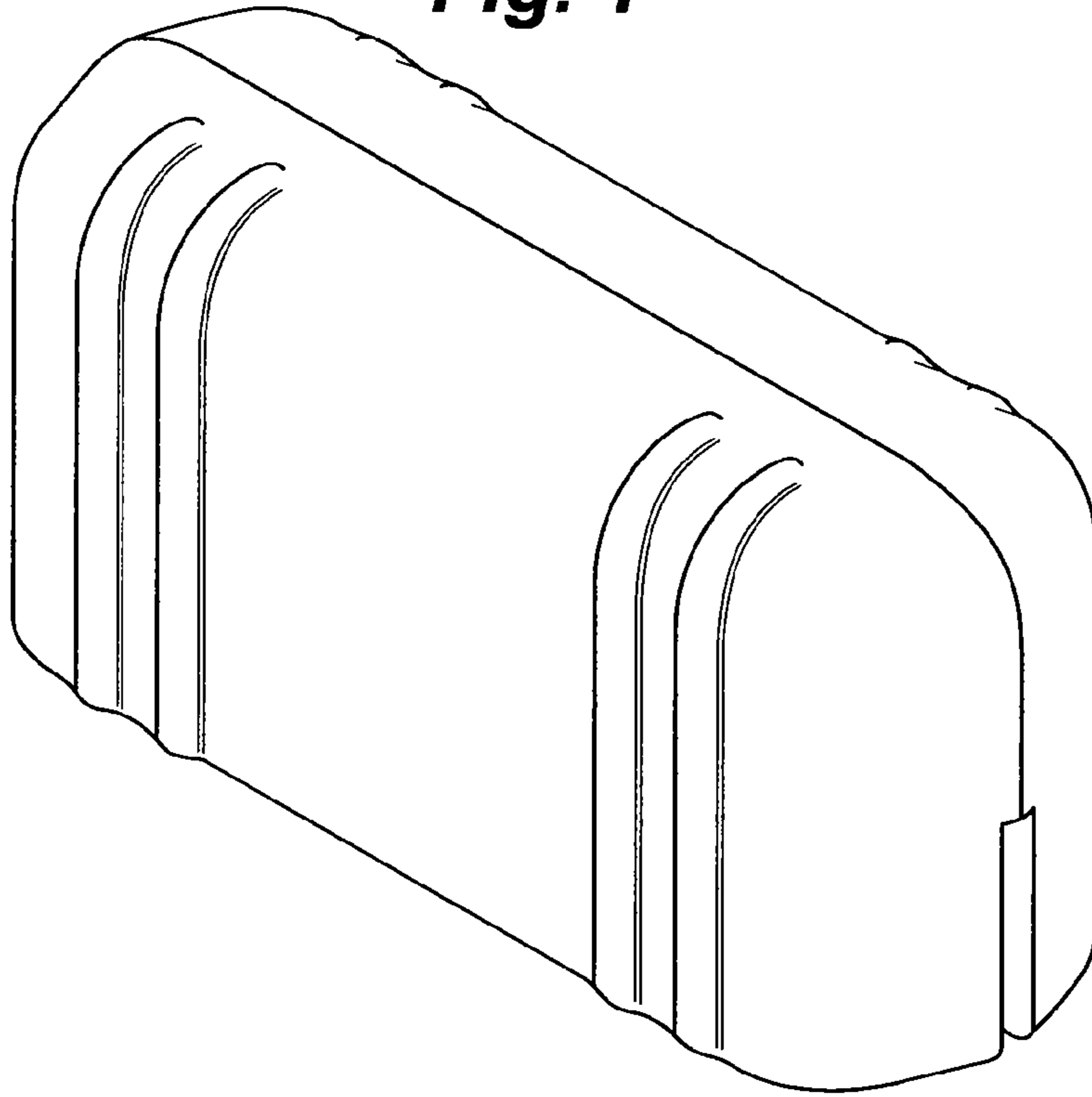


Fig. 2

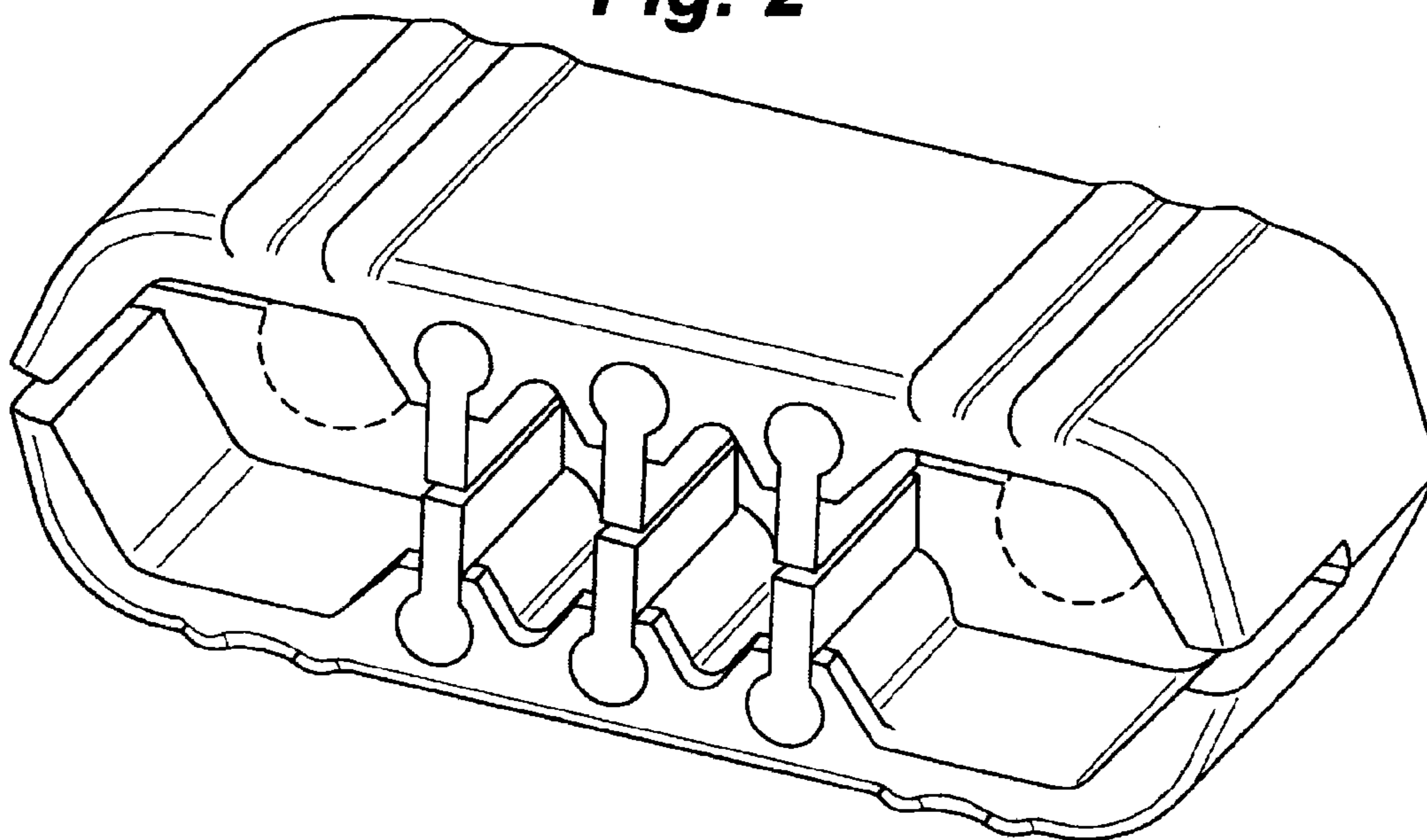


Fig. 3

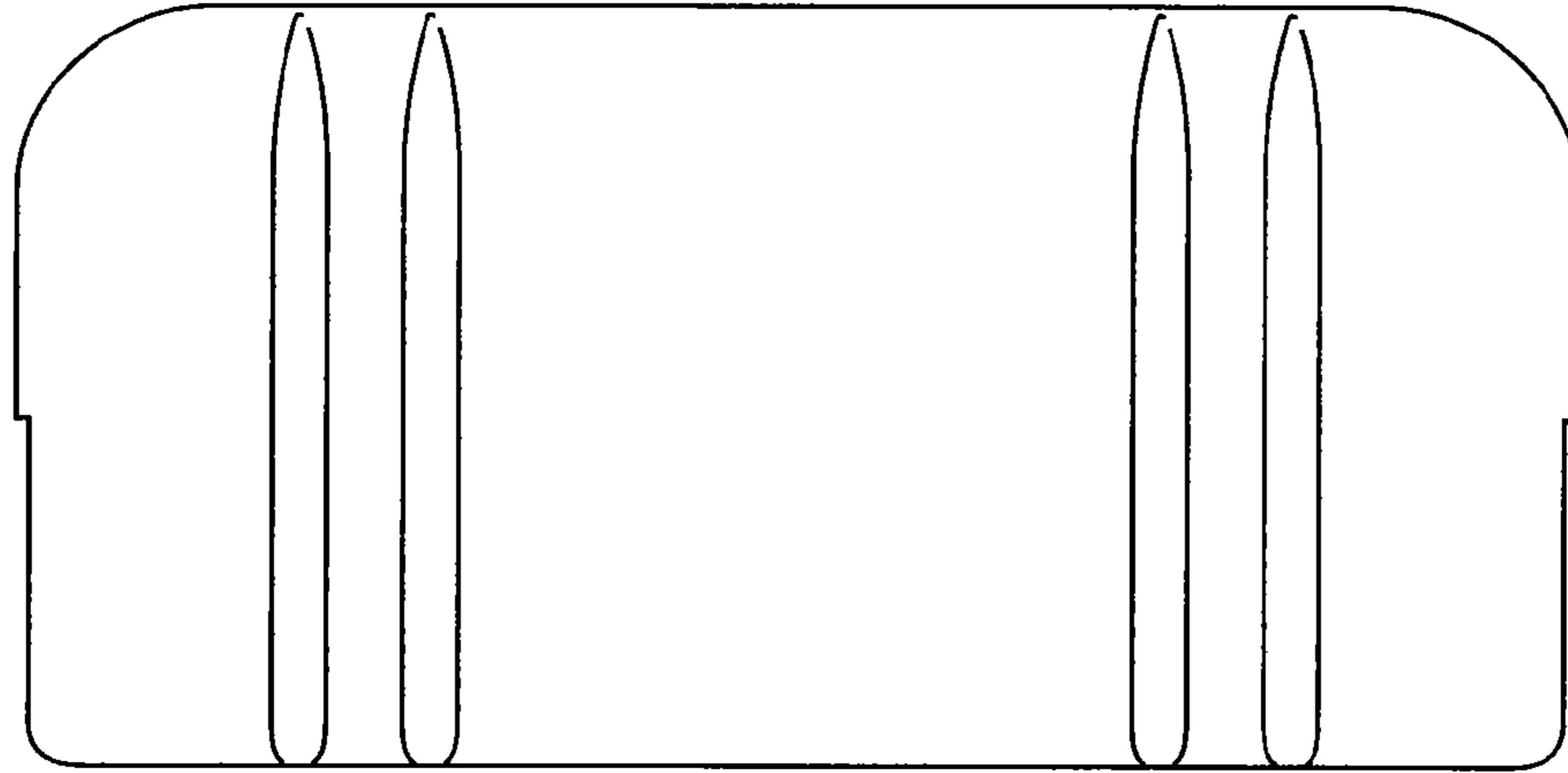


Fig. 4

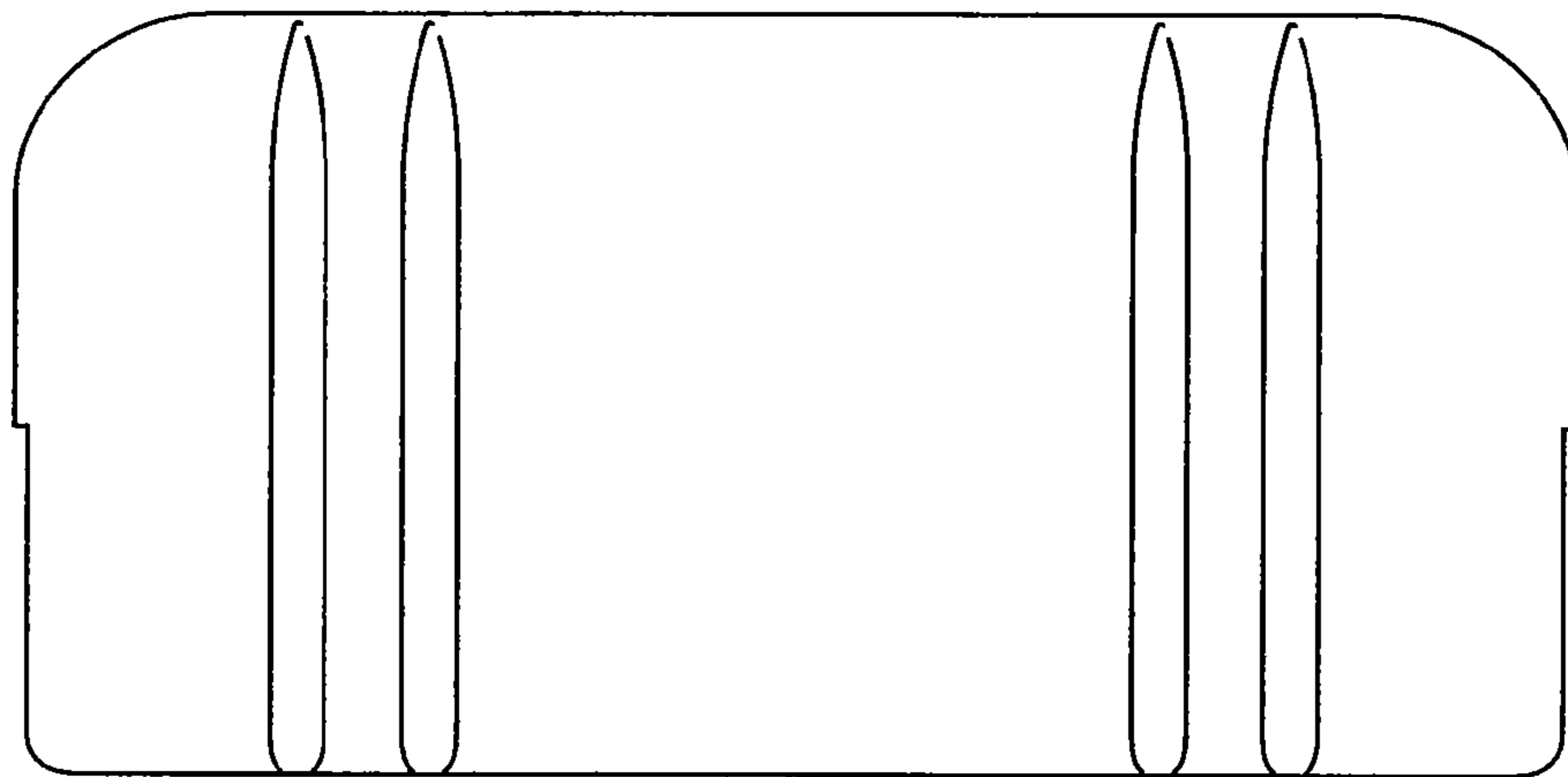


Fig. 5

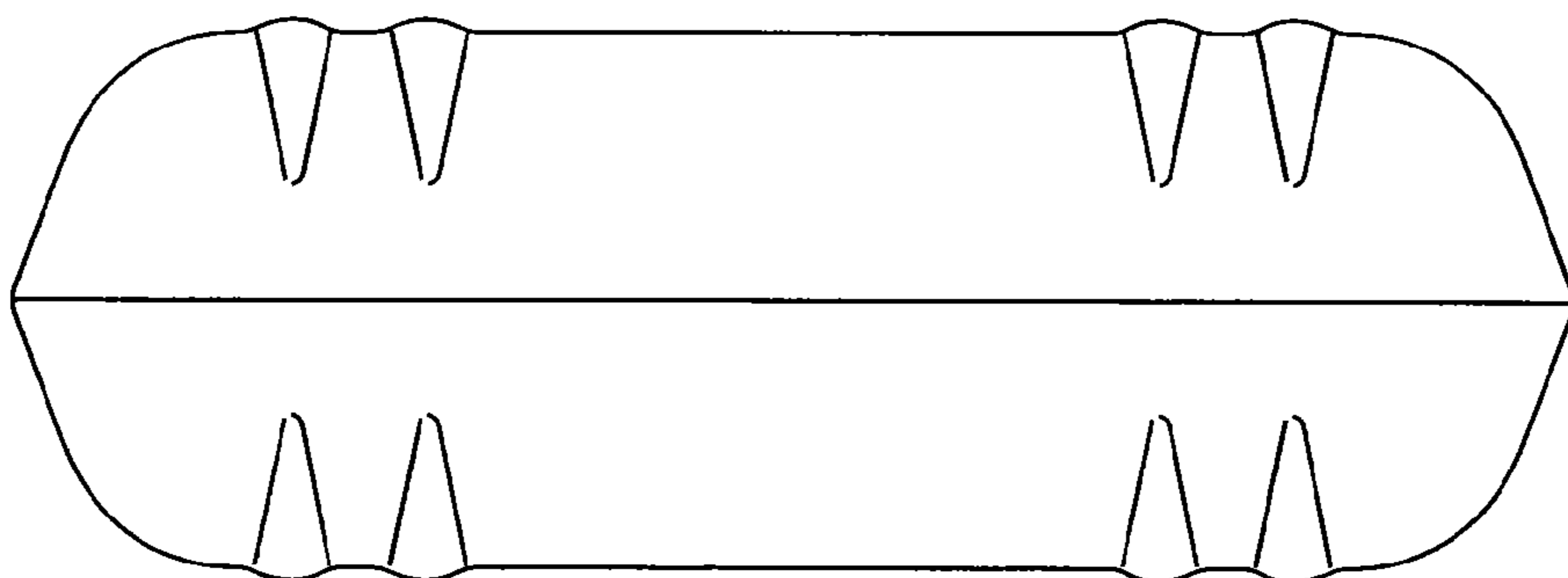


Fig. 6

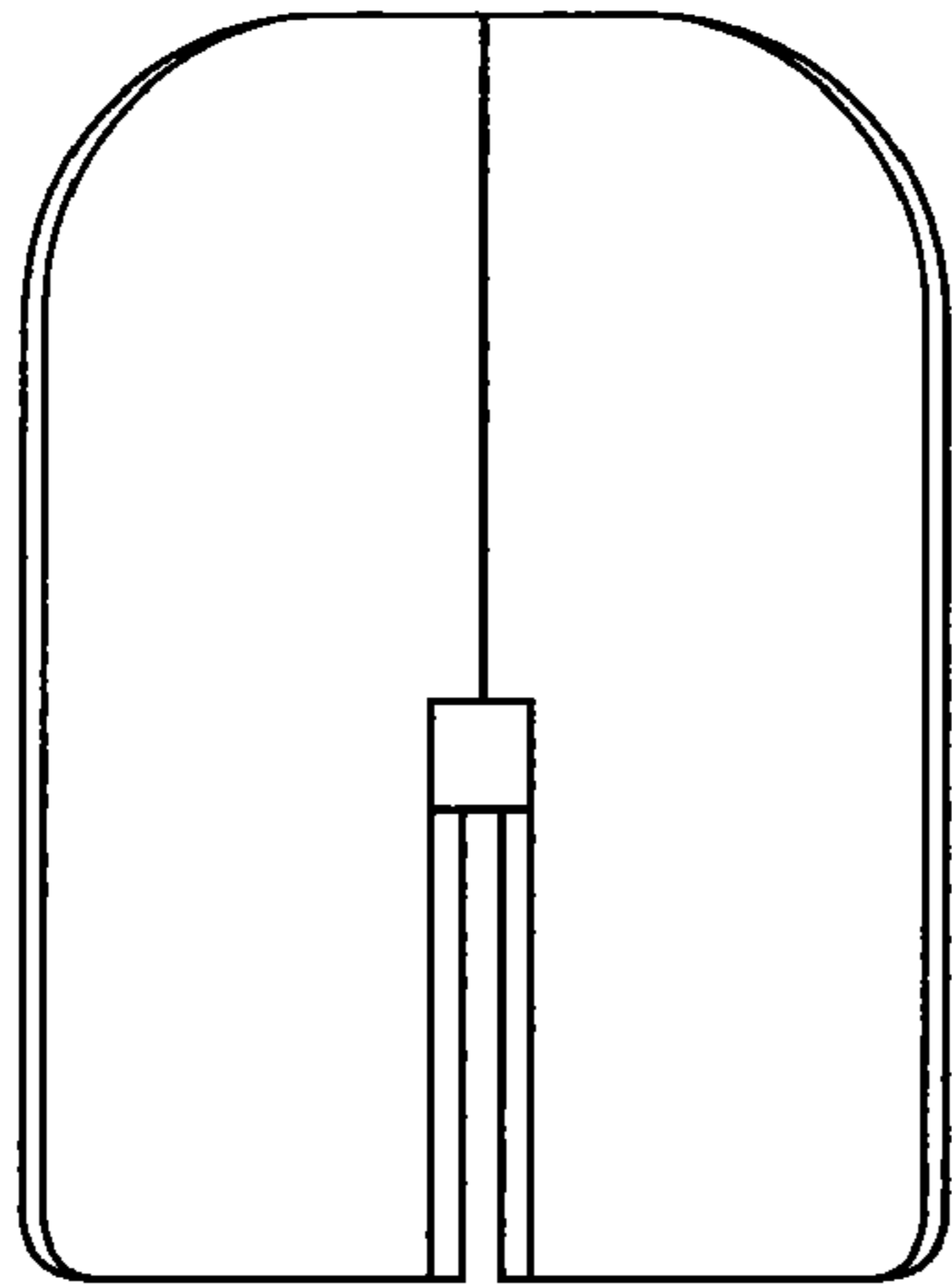


Fig. 7

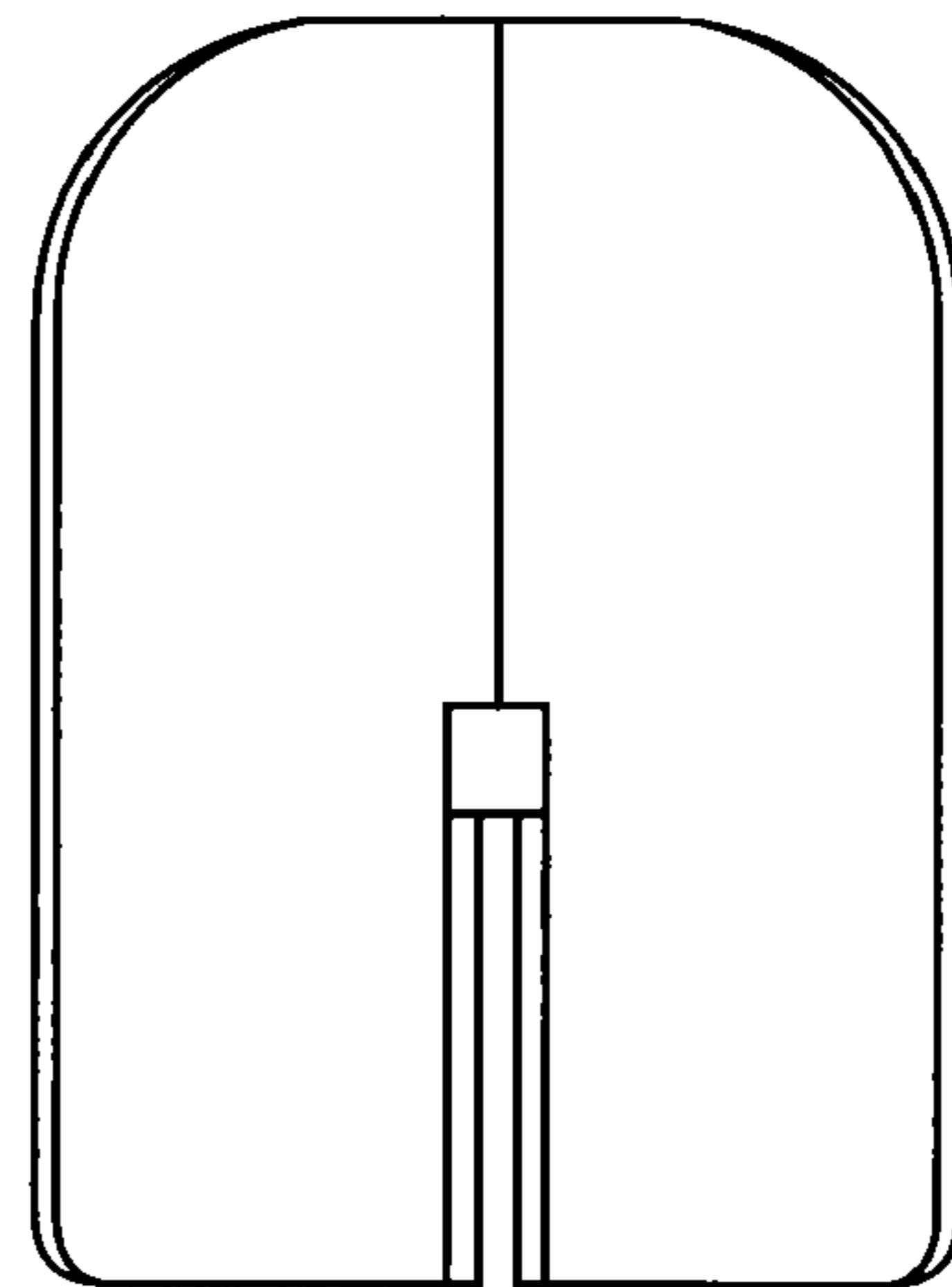


Fig. 8

