



US00D604373S

(12) **United States Design Patent**
Dalebout et al.

(10) **Patent No.:** **US D604,373 S**
(45) **Date of Patent:** **** Nov. 17, 2009**

(54) **FOLDABLE LOW-PROFILE ABDOMINAL EXERCISE MACHINE**

(75) Inventors: **William T. Dalebout**, North Logan, UT (US); **Jared Robert Willardson**, Smithfield, UT (US)

(73) Assignee: **ICON IP, Inc.**, Logan, UT (US)

(**) Term: **14 Years**

(21) Appl. No.: **29/318,204**

(22) Filed: **May 15, 2008**

(51) **LOC (9) Cl.** **21-02**

(52) **U.S. Cl.** **D21/687; D21/690**

(58) **Field of Classification Search** D21/662, D21/690, 686, 687; D6/370, 380; 482/140, 482/142, 130, 133, 135

See application file for complete search history.

(56) **References Cited**

U.S. PATENT DOCUMENTS

3,491,998	A	1/1970	Lyon	
3,589,715	A	6/1971	Morris	
D224,422	S	7/1972	Beach	
3,767,190	A	10/1973	Biggerstaff	
4,517,966	A	5/1985	von Othegraven	
5,154,685	A	10/1992	Chen	
5,573,485	A *	11/1996	Geschwender	482/112
5,681,250	A	10/1997	Hoover et al.	
5,833,590	A *	11/1998	Chiu et al.	482/142
5,902,220	A	5/1999	Lin	
6,022,303	A	2/2000	Abdo	
D432,600	S	10/2000	Szabo et al.	
D438,578	S *	3/2001	Kuo	D21/690
6,248,047	B1	6/2001	Abdo	
D455,803	S *	4/2002	Webber	D21/690

6,394,938	B1	5/2002	Tornabene	
6,602,171	B1	8/2003	Tsen et al.	
D491,618	S *	6/2004	Kuo et al.	D21/676
D519,585	S *	4/2006	Webber	D21/690
7,115,081	B2 *	10/2006	Stearns	482/140
D568,951	S *	5/2008	Tornabene	D21/673
7,381,171	B2 *	6/2008	Chen	482/140
2003/0050156	A1	3/2003	Tornabene	
2005/0272581	A1 *	12/2005	Stearns	482/140
2007/0149373	A1 *	6/2007	Dalebout et al.	482/142
2007/0287618	A1 *	12/2007	Verheem	482/140
2008/0076649	A1 *	3/2008	Chen	482/140

* cited by examiner

Primary Examiner—Philip S Hyder

(74) *Attorney, Agent, or Firm*—Madson IP, P.C.

(57) **CLAIM**

The ornamental design for a foldable low-profile abdominal exercise machine, as shown.

DESCRIPTION

FIG. 1 is a perspective view of the foldable low-profile abdominal exercise machine.

FIG. 2 is a top plan view of the foldable low-profile abdominal exercise machine.

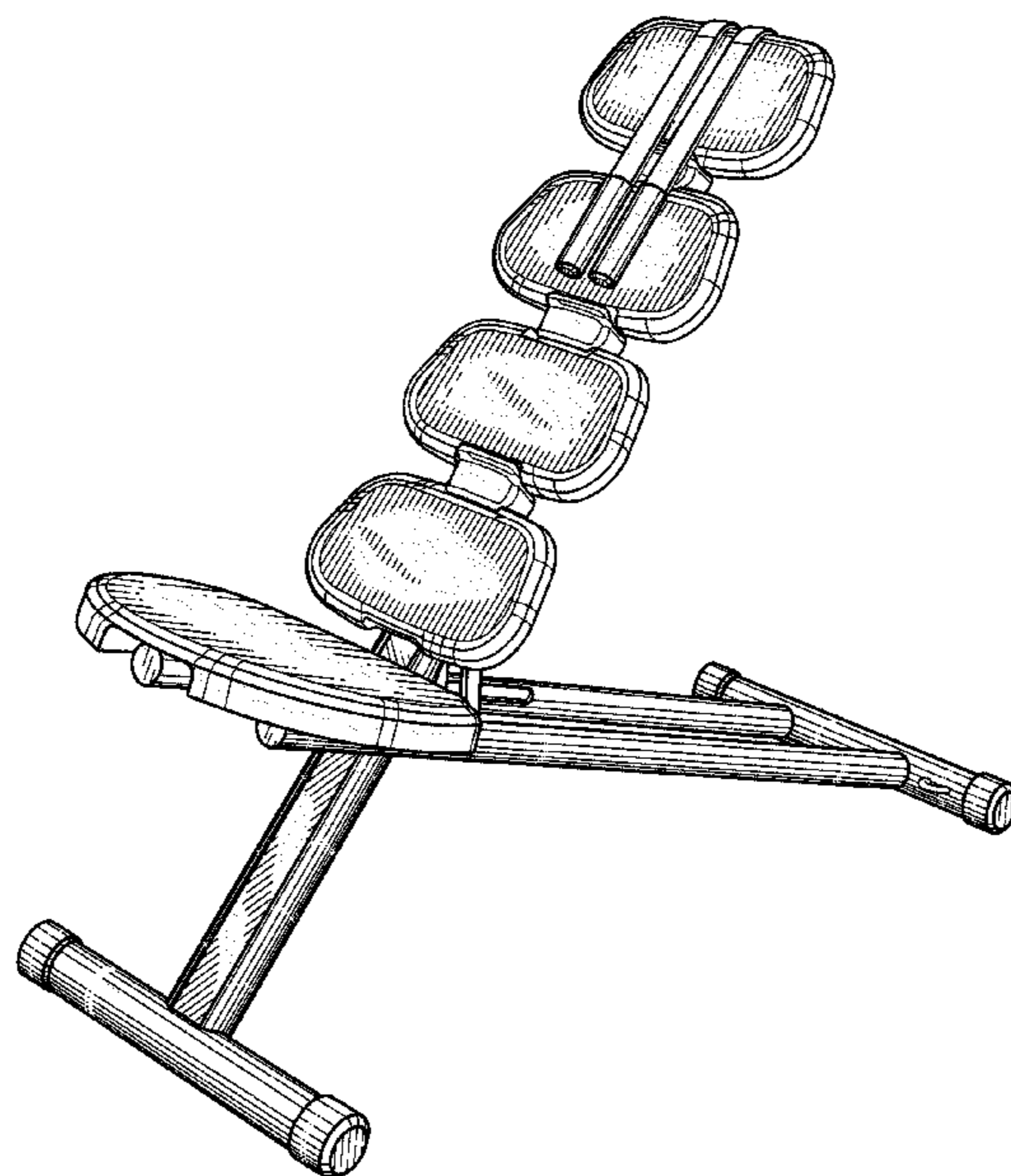
FIG. 3 is a bottom plan view of the foldable low-profile abdominal exercise machine.

FIG. 4 is a right side view of the foldable low-profile abdominal exercise machine, left side view being a mirror image thereof.

FIG. 5 is a front view of the foldable low-profile abdominal exercise machine; and,

FIG. 6 is a rear view of the foldable low-profile abdominal exercise machine.

1 Claim, 3 Drawing Sheets



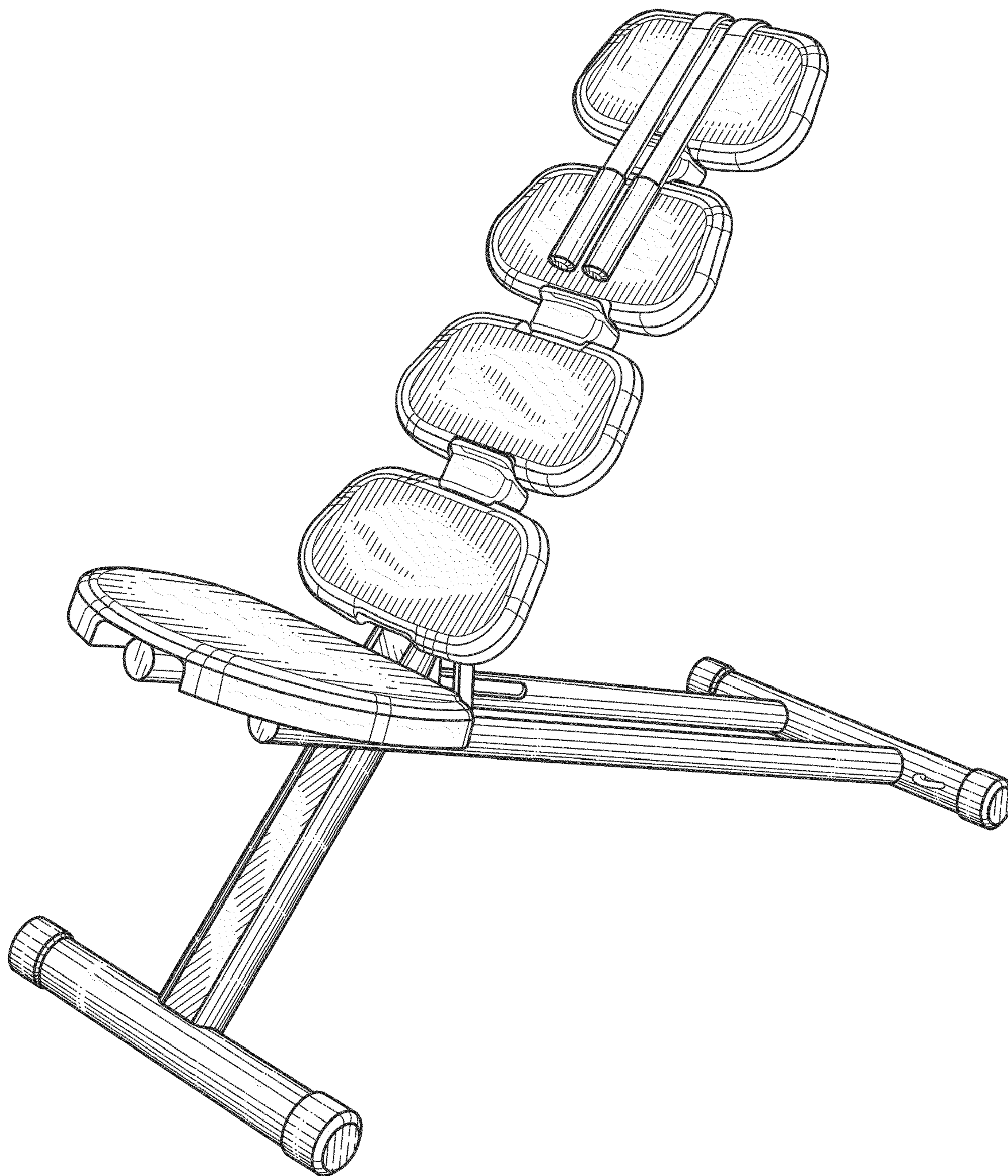


FIG. 1

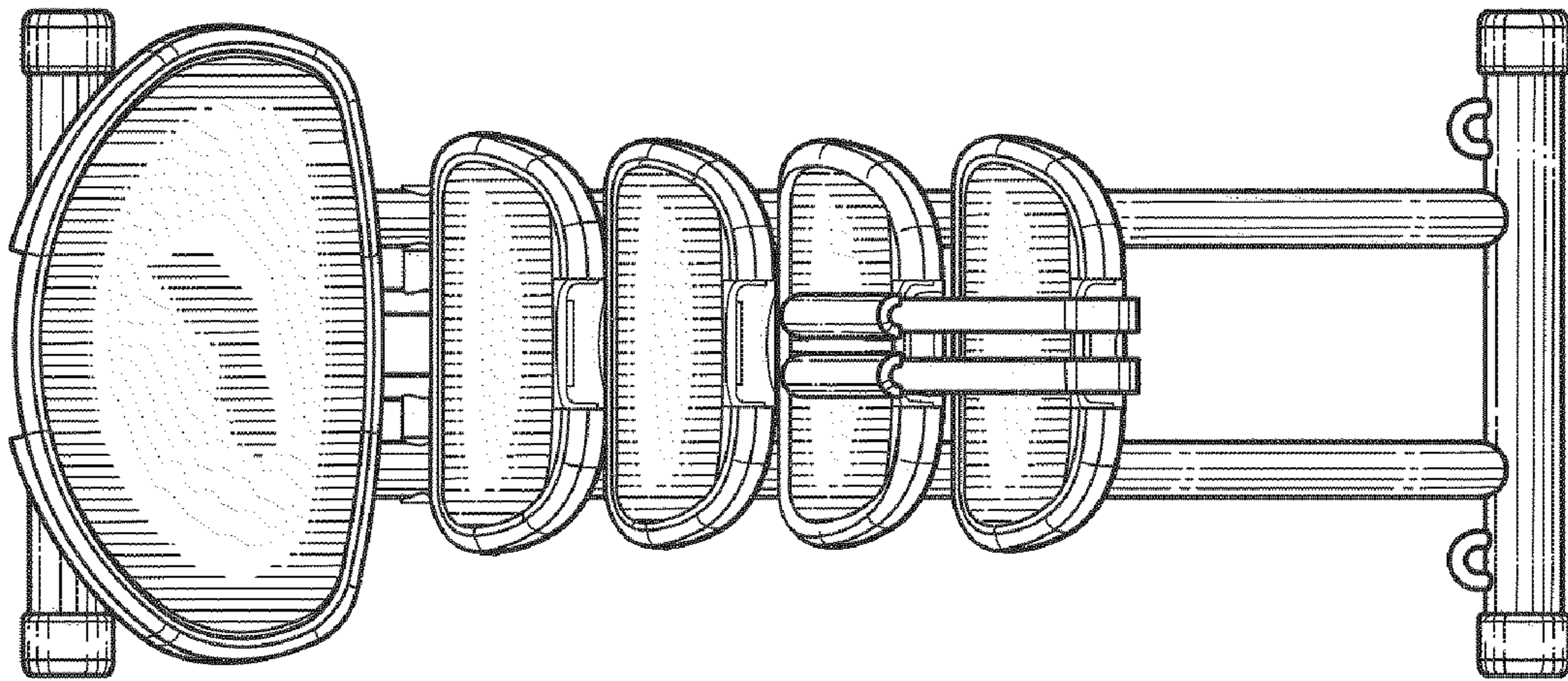


FIG. 2

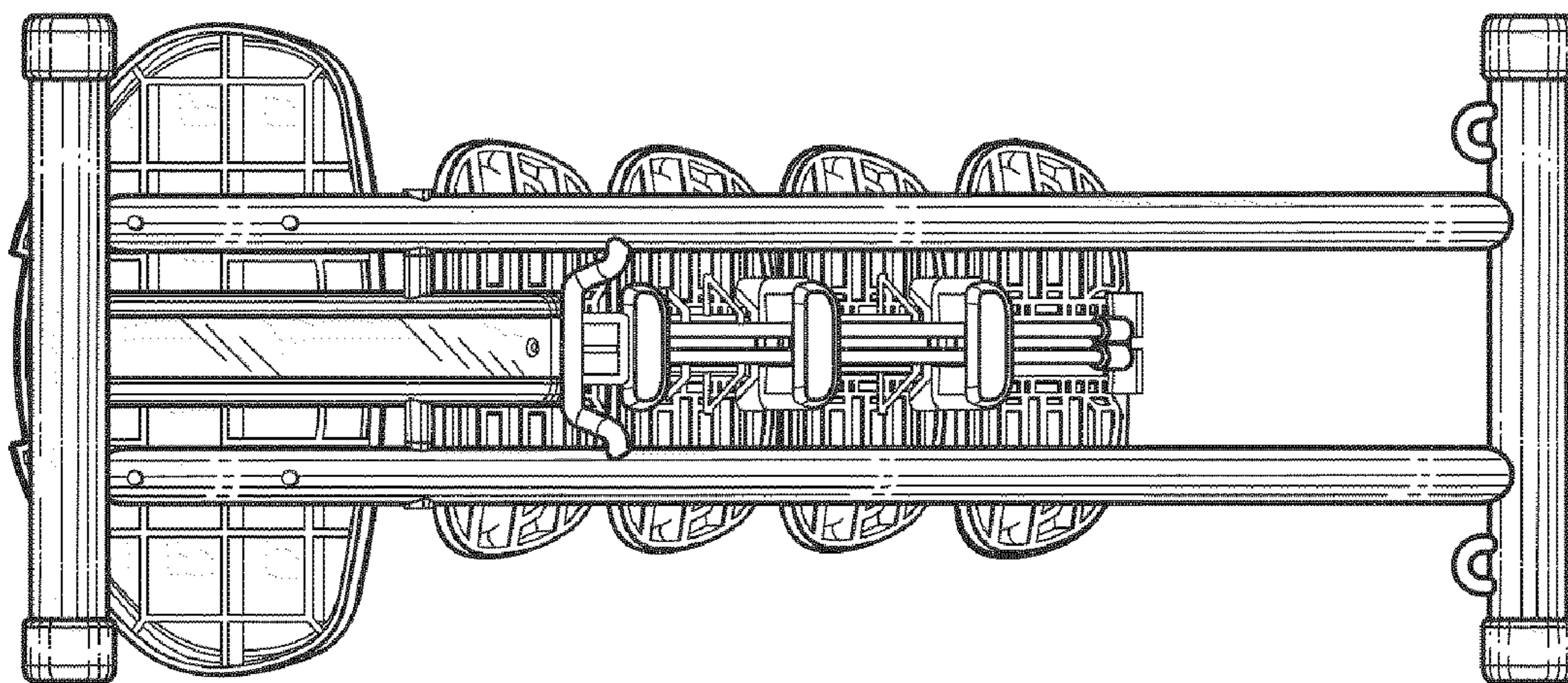


FIG. 3

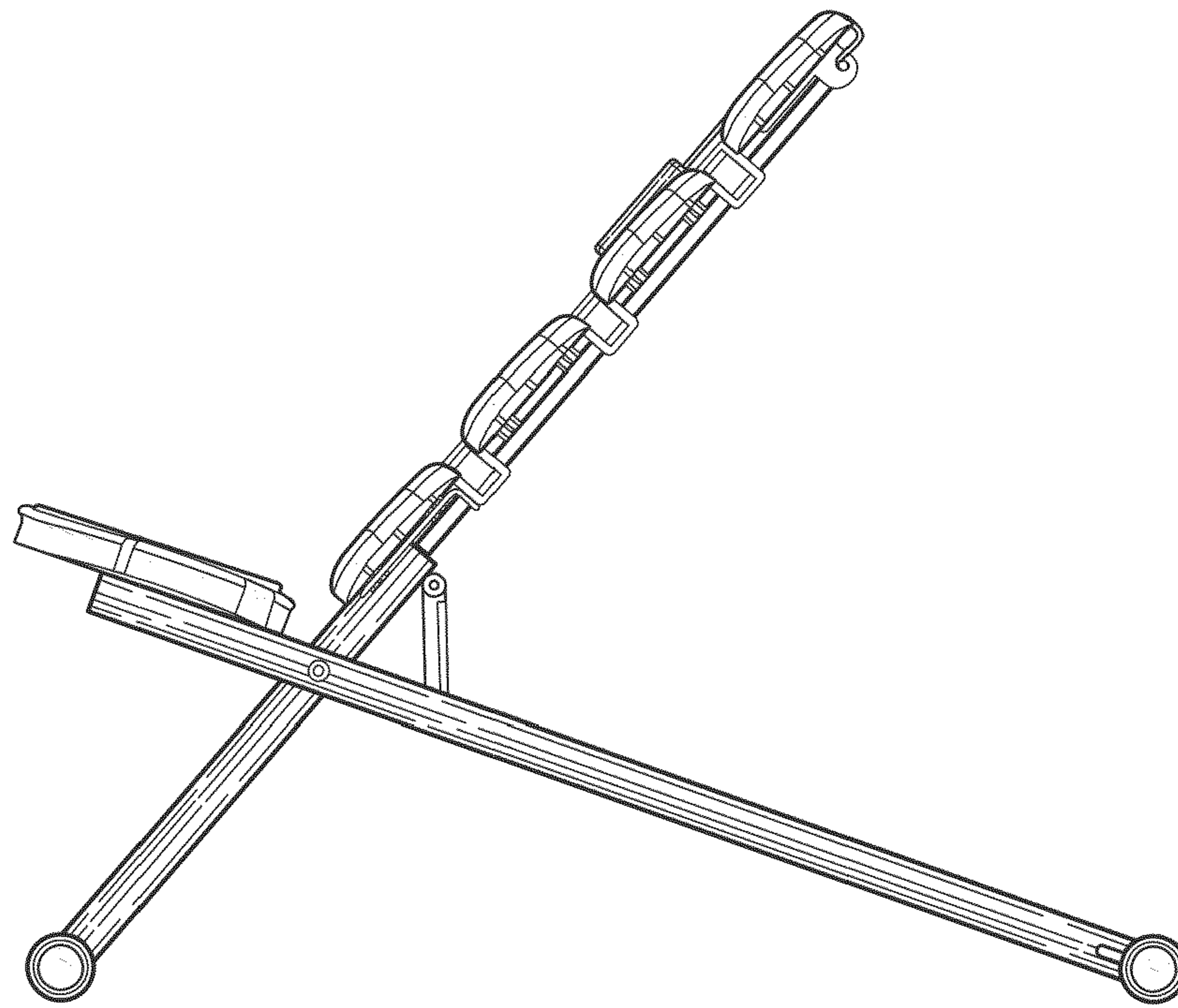


FIG. 4

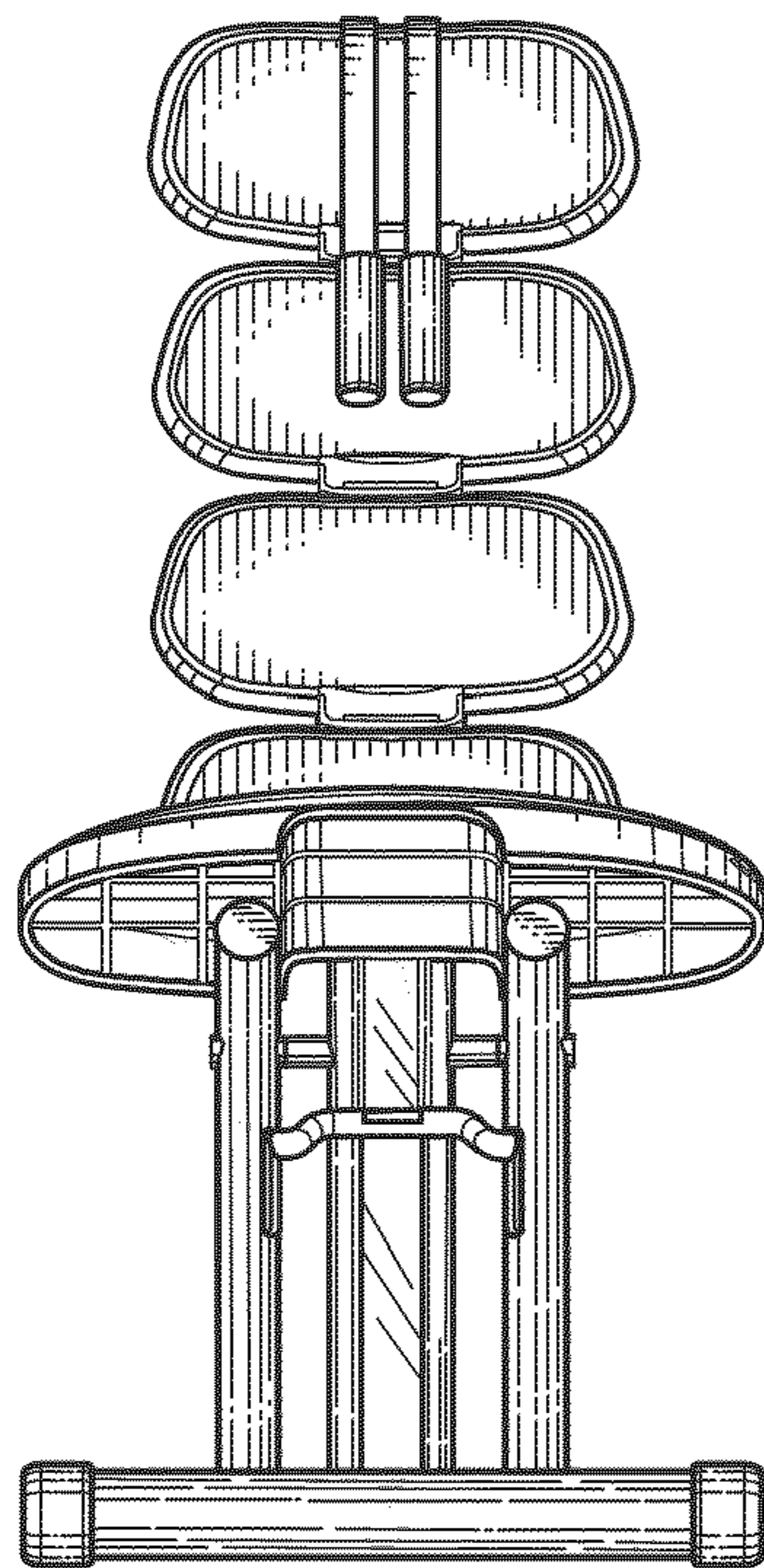


FIG. 5

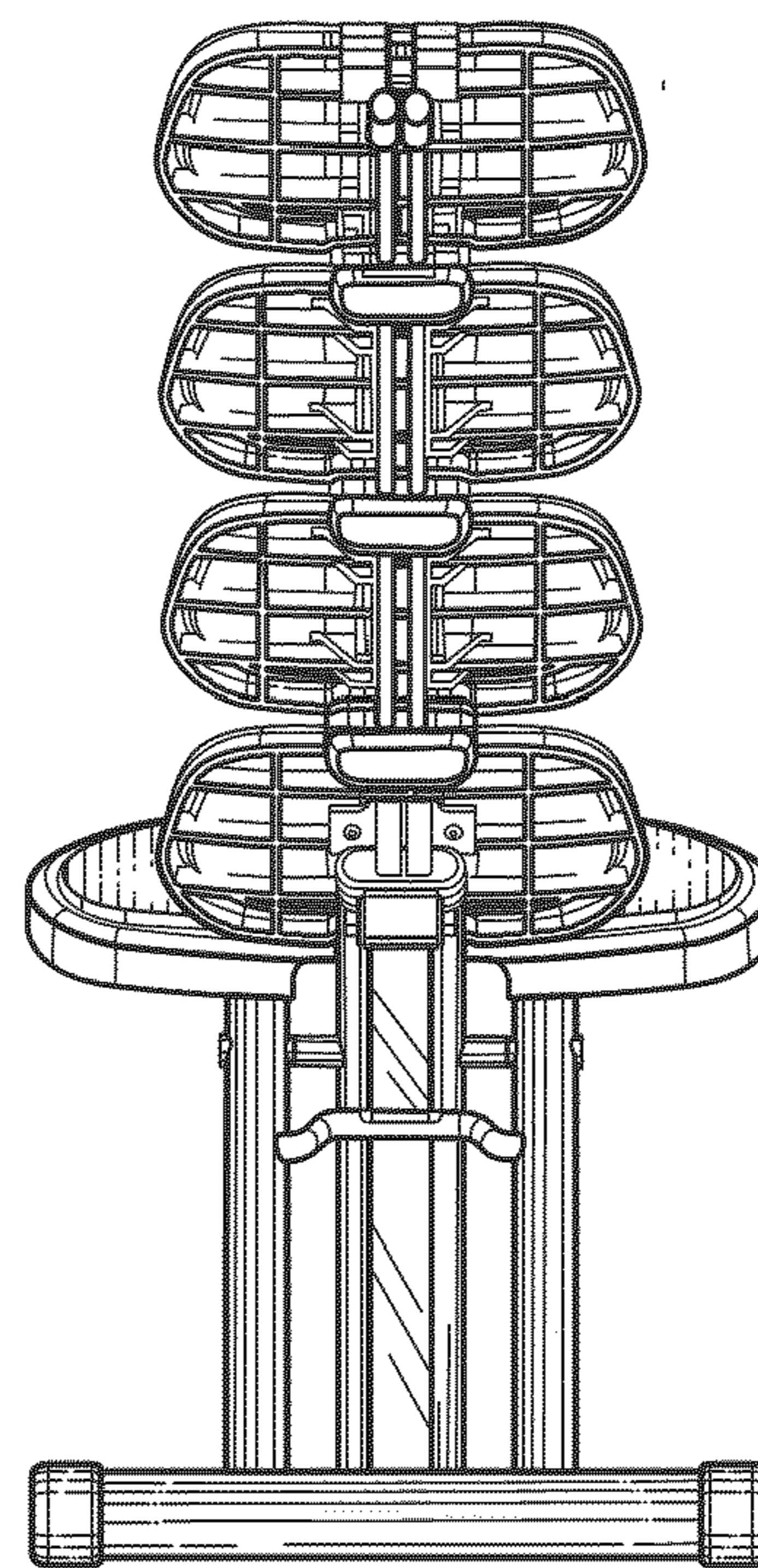


FIG. 6