



US00D604370S

(12) **United States Design Patent**  
**Hume**

(10) **Patent No.:** **US D604,370 S**  
(45) **Date of Patent:** **\*\* Nov. 17, 2009**

(54) **THREE-DIMENSIONAL PUZZLE GAME APPARATUS**

(75) Inventor: **Shaun Hume, Kent (GB)**

(73) Assignee: **Fillaball Holdings Limited, Smarden, Kent (GB)**

(\*\*) Term: **14 Years**

(21) Appl. No.: **29/311,537**

(22) Filed: **Apr. 16, 2009**

(30) **Foreign Application Priority Data**

Dec. 1, 2008 (EP) ..... 001050025

(51) **LOC (9) Cl.** ..... **21-01**

(52) **U.S. Cl.** ..... **D21/478; D21/707**

(58) **Field of Classification Search** ..... D21/300, D21/312.398, 468, 478, 475, 707, 713, 714; D30/160; 273/109-117, 118 R, 123 R, 118 D, 273/127 D, 153 R-153 J, DIG. 14; 434/393; 473/569-571, 594, 595; 446/168, 175, 219, 446/409, 419, 431, 437-439, 233, 234, 236; 119/707; 428/11, 13, 14

See application file for complete search history.

(56) **References Cited**

**U.S. PATENT DOCUMENTS**

D221,962 S \* 9/1971 Vennola ..... D21/468  
D232,959 S \* 9/1974 Scott ..... D21/478

D234,708 S \* 4/1975 Rostock ..... D21/478  
D272,840 S \* 2/1984 Matsumoto ..... D21/478  
4,451,038 A \* 5/1984 Nagy ..... 273/110  
D283,523 S \* 4/1986 Balint ..... D21/478  
4,645,471 A \* 2/1987 Herring et al. .... 446/258  
D295,431 S \* 4/1988 Orejola ..... D21/478  
5,035,430 A \* 7/1991 Suzuki ..... 273/153 S  
5,332,221 A \* 7/1994 Reed ..... 273/153 S  
D390,293 S \* 2/1998 Pardorf et al. .... D21/468  
5,811,159 A \* 9/1998 Chang ..... 428/11  
5,964,639 A \* 10/1999 Maxim ..... 446/437  
6,666,782 B1 \* 12/2003 Wu ..... 473/570

\* cited by examiner

*Primary Examiner*—Catherine Tuttle

(74) *Attorney, Agent, or Firm*—Breiner & Breiner, LLC

(57) **CLAIM**

The ornamental design for a three-dimensional puzzle game apparatus, as shown and described.

**DESCRIPTION**

FIG. 1 is a top view three-dimensional puzzle game apparatus showing my new design;

FIG. 2 is a front view thereof;

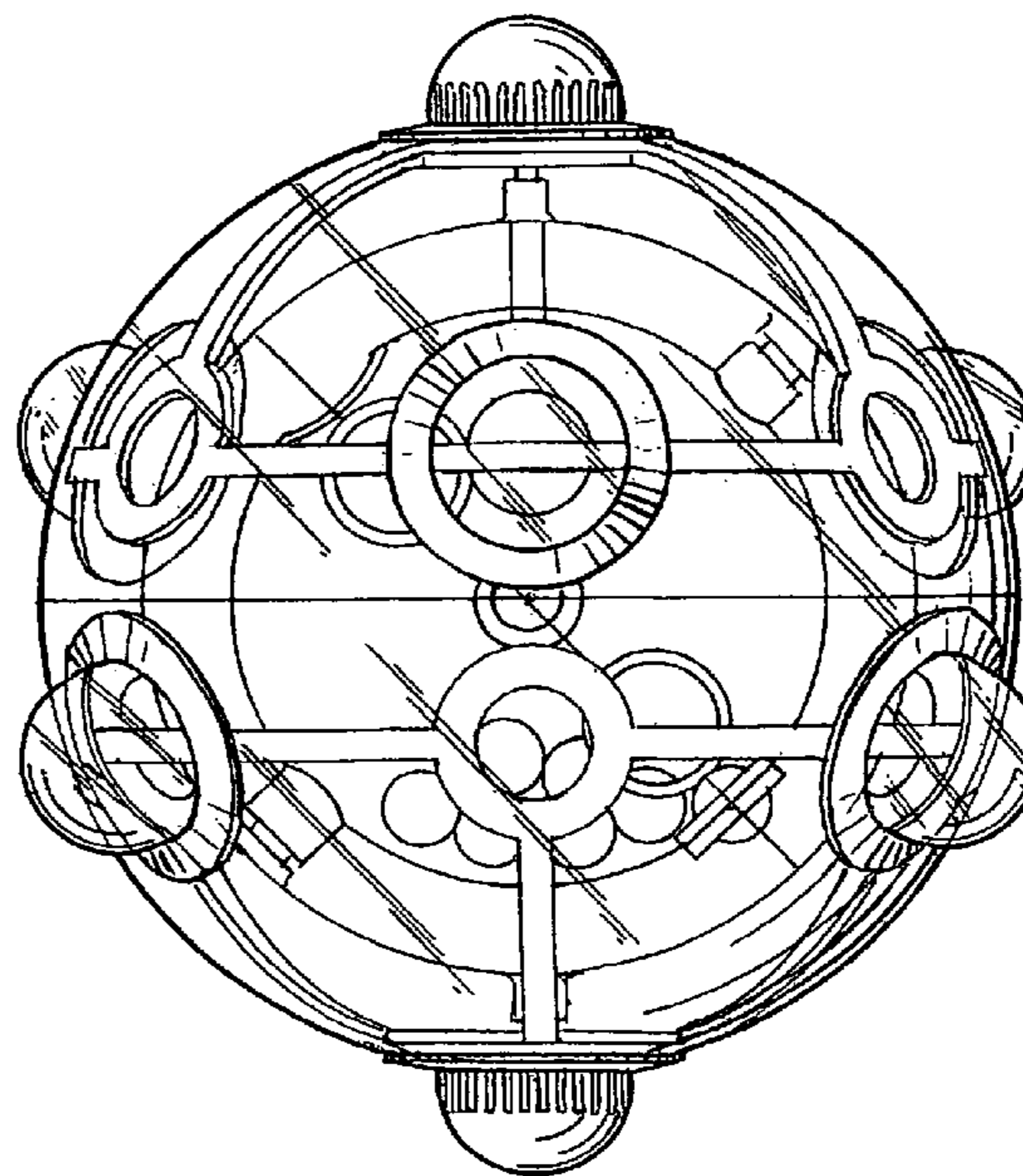
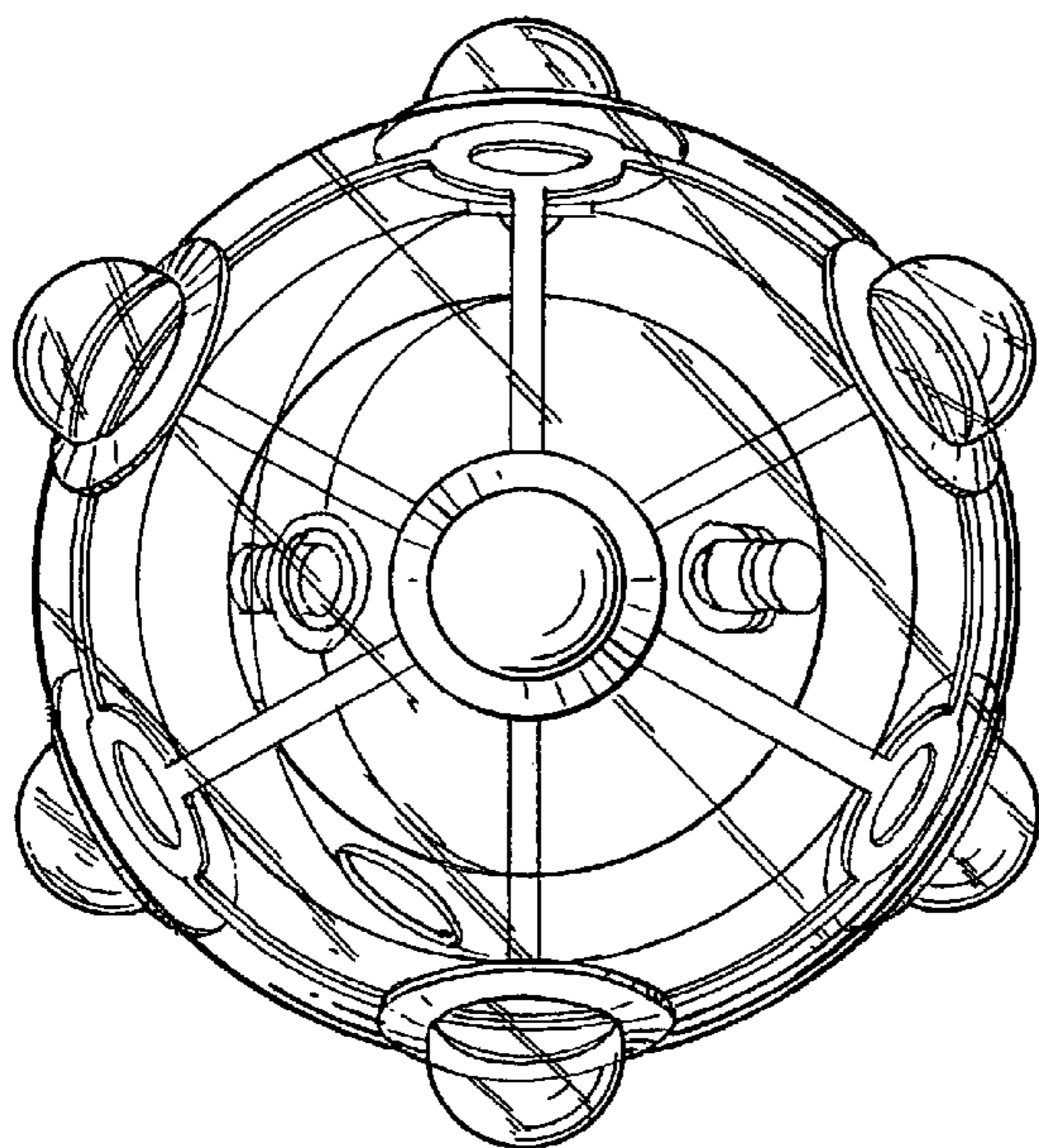
FIG. 3 is a right side view thereof;

FIG. 4 is a left side view thereof;

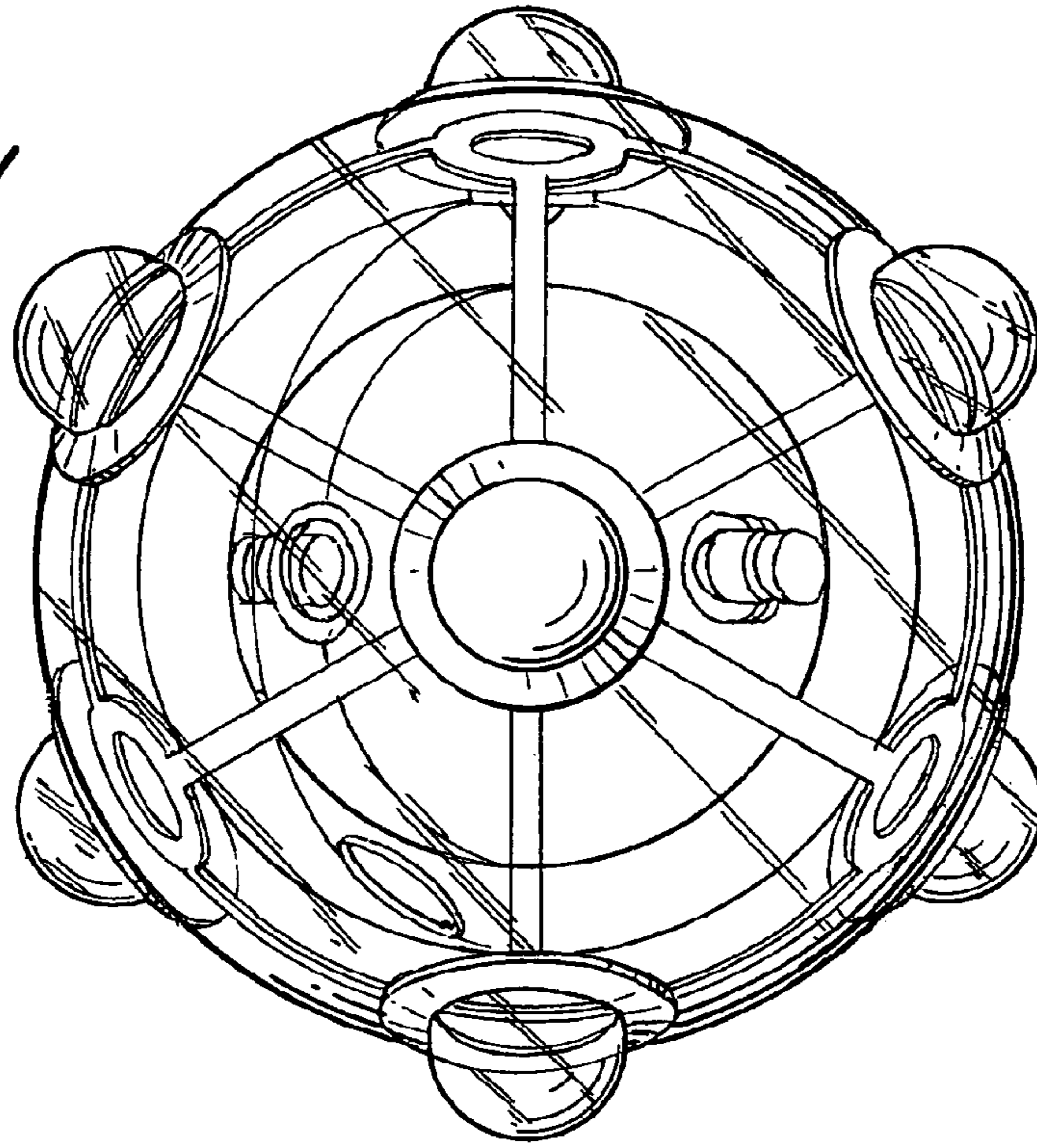
FIG. 5 is a rear view thereof; and,

FIG. 6 is a bottom view thereof.

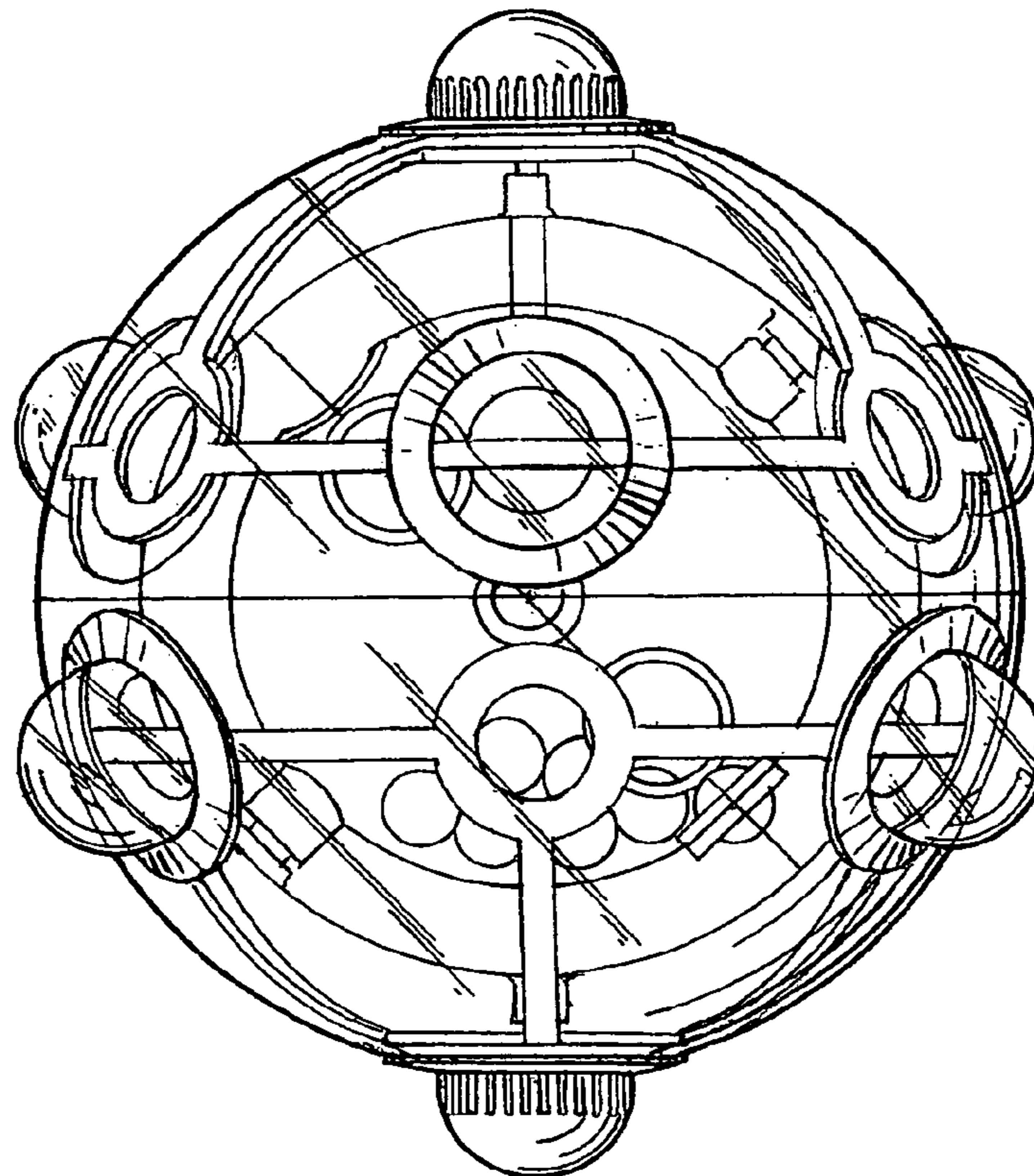
**1 Claim, 3 Drawing Sheets**



*FIG. 1*

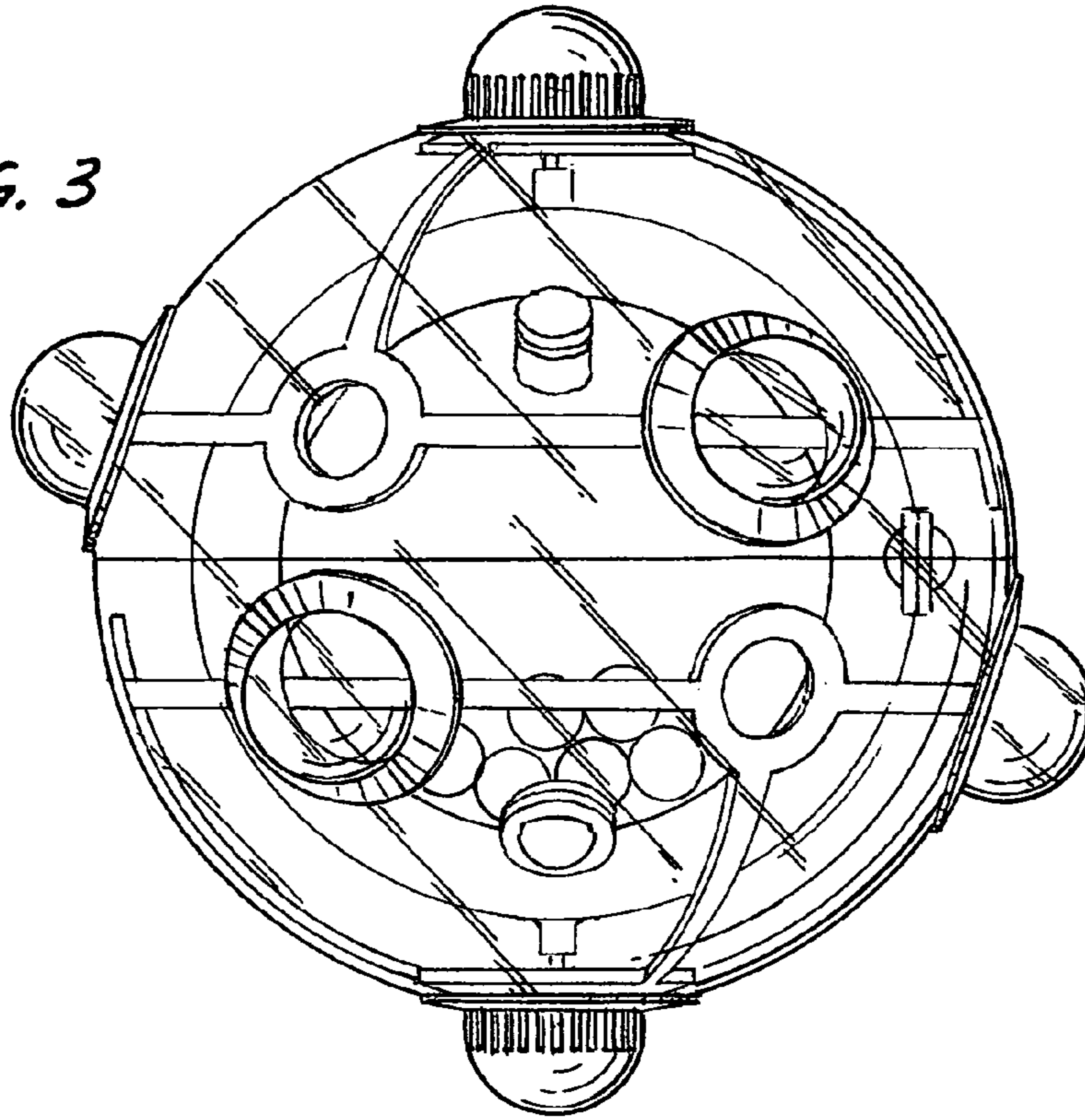


*FIG. 2*

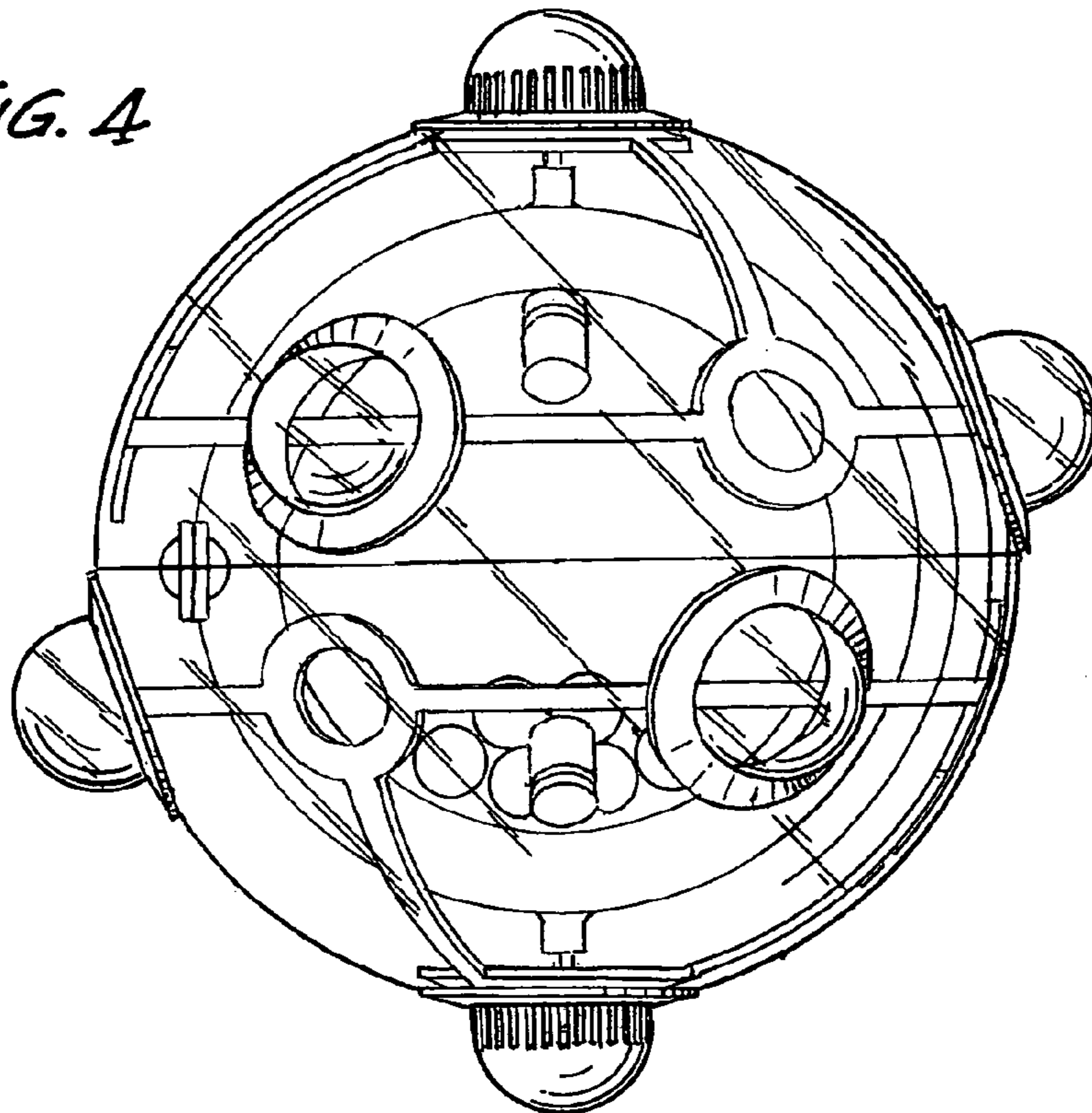




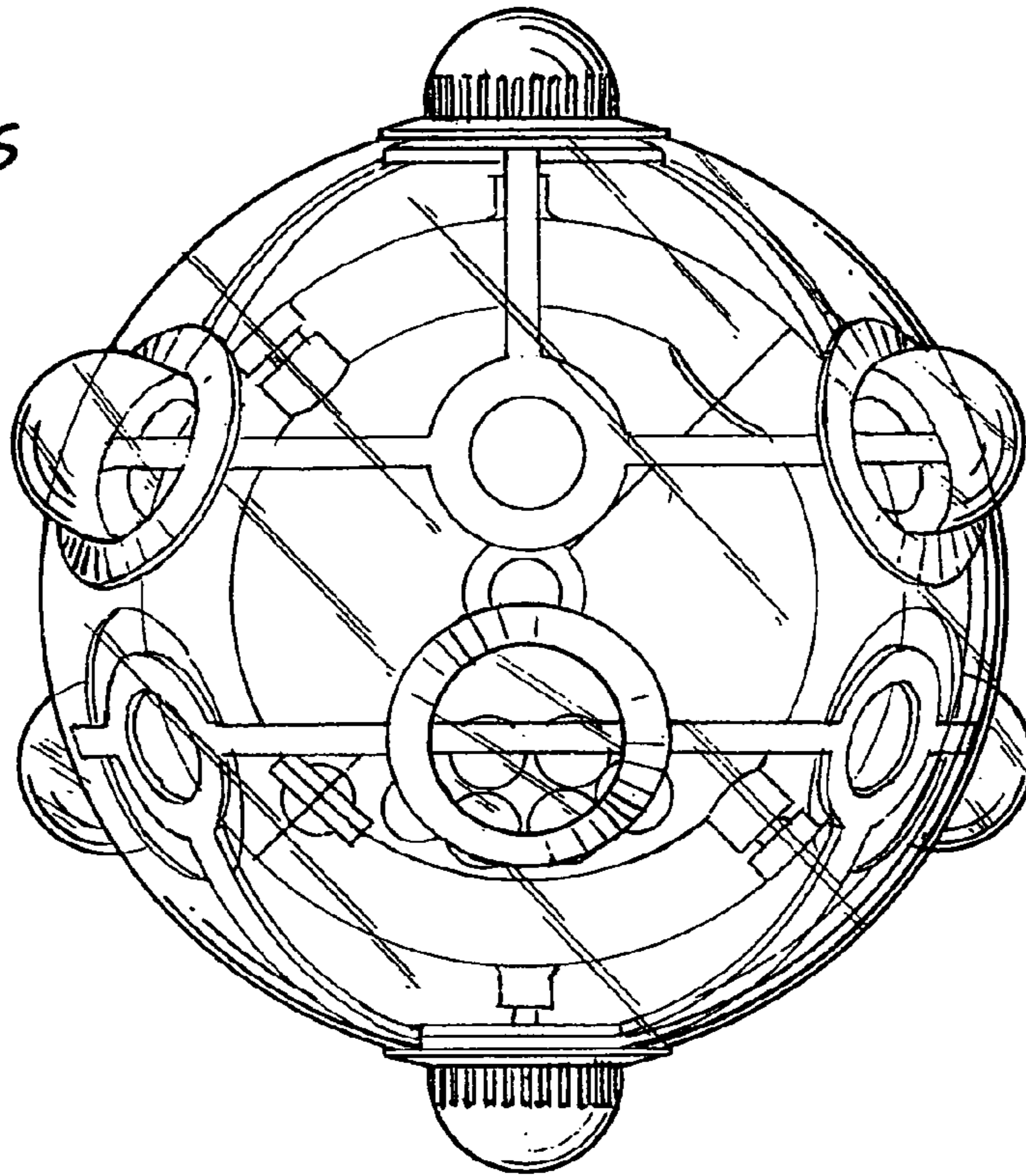
*FIG. 3*



*FIG. 4*



*FIG. 5*



*FIG. 6*

