

US00D604368S

(12) **United States Design Patent**  
**Lesley et al.**

(10) **Patent No.:** **US D604,368 S**

(45) **Date of Patent:** **\*\* Nov. 17, 2009**

(54) **GAMING MACHINE WITH CURVED UPPER PORTION**

(75) Inventors: **Paul M. Lesley**, Blue Island, IL (US);  
**William C. Cesaroni**, Glenview, IL (US);  
**Morad Ghassemian**, Oak Park, IL (US);  
**Christian J. Kulujian**, Chicago, IL (US)

(73) Assignee: **WMS Gaming Inc.**, Waukegan, IL (US)

(\*\*) Term: **14 Years**

(21) Appl. No.: **29/327,693**

(22) Filed: **Nov. 11, 2008**

(51) **LOC (9) Cl.** ..... **21-03**

(52) **U.S. Cl.** ..... **D21/370; D21/385**

(58) **Field of Classification Search** ..... D14/304–307;  
D21/324–329, 369–371, 385; 273/138.1;  
463/13, 16–17, 20, 22, 46–47

See application file for complete search history.

(56) **References Cited**

**U.S. PATENT DOCUMENTS**

2,661,954 A	12/1953	Koci	463/57
D236,720 S	9/1975	Baker	D21/370
4,046,419 A	9/1977	Schmitt	297/153
D264,485 S	5/1982	Kitchen	D21/370
4,705,274 A	11/1987	Lubeck	273/148
4,840,343 A	6/1989	Gasser	248/500
4,960,117 A	10/1990	Moncrief et al.	463/46
D315,110 S	3/1991	Slater	D10/88
5,015,189 A	5/1991	Wenzinger et al.	434/63
5,083,738 A	1/1992	Infanti	248/500
5,102,192 A	4/1992	Barlie	297/257
5,114,112 A	5/1992	Infanti	248/500
5,143,055 A	9/1992	Eakin	601/47
D333,164 S	2/1993	Kraft et al.	D21/325
5,195,746 A	3/1993	Boyd et al.	463/37
5,232,191 A	8/1993	Infanti	248/500
5,290,034 A	3/1994	Hineman	273/148
D351,869 S	10/1994	Rothschild et al.	D21/37
5,409,296 A	4/1995	Barlie	297/344.1

5,411,257 A	5/1995	Fulton	273/85
5,437,453 A	8/1995	Hineman	273/148
5,472,197 A	12/1995	Gwiasda et al.	273/143 R
5,522,641 A	6/1996	Infanti	297/344.13
5,542,748 A	8/1996	Barlie	297/463.1
D376,391 S	12/1996	Okumura	D21/326
D380,014 S	6/1997	Yang	D21/370
5,669,818 A	9/1997	Thorner et al.	463/30
5,678,886 A	10/1997	Infanti	297/217.3
5,762,617 A	6/1998	Infanti	601/49
5,791,731 A	8/1998	Infanti	297/217.3

(Continued)

**FOREIGN PATENT DOCUMENTS**

EP 649 671 A1 4/1995

(Continued)

**OTHER PUBLICATIONS**

Product Sheet for “American Eagle”, Eagle Co. Ltd., 2 pages, (1997).

(Continued)

*Primary Examiner*—Sandra Morris

(74) *Attorney, Agent, or Firm*—Nixon Peabody LLP

(57) **CLAIM**

We claim the ornamental design for a “gaming machine with curved upper portion,” as shown and described.

**DESCRIPTION**

FIG. 1 is a perspective view of a gaming machine with a curved upper portion showing our new design.

FIG. 2 is a front view of the gaming machine shown in FIG. 1.

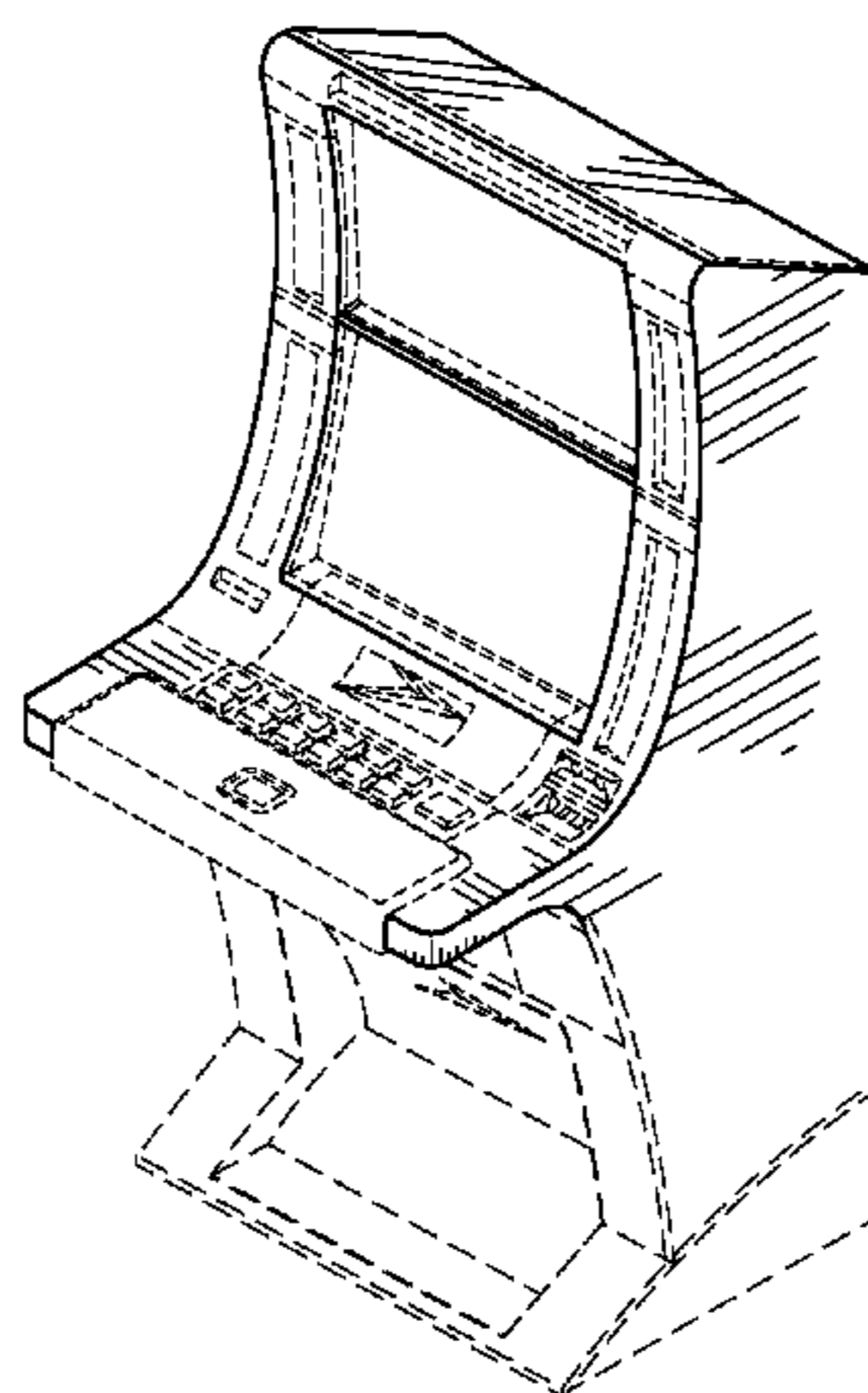
FIG. 3 is a left-side view of the gaming machine shown in FIG. 1.

FIG. 4 is a right-side view of the gaming machine shown in FIG. 1; and,

FIG. 5 is a top view of the gaming machine shown in FIG. 1.

The broken lines are only for illustrative purposes to show visible environmental structure and form no part of the claimed design.

**1 Claim, 2 Drawing Sheets**



U.S. PATENT DOCUMENTS

5,820,460	A	10/1998	Fulton	463/13
D407,759	S	4/1999	Isetani et al.	D21/326
5,984,782	A	11/1999	Inoue	463/20
D419,201	S	1/2000	De Haas	D21/370
D419,606	S	1/2000	Toriyama	D21/325
6,047,963	A	4/2000	Pierce et al.	273/143 R
D424,122	S	5/2000	Dickenson et al.	D21/325
D428,062	S	7/2000	Hayashi	D21/325
6,089,663	A	7/2000	Hill	297/258.1
6,102,394	A	8/2000	Wurz et al.	273/138.2
6,117,010	A	9/2000	Canterbury	463/20
6,129,355	A	10/2000	Hahn et al.	273/142 R
6,135,562	A	10/2000	Infanti	297/440.2
6,155,925	A	12/2000	Giobbi et al.	463/20
6,159,098	A	12/2000	Slomiany et al.	463/25
D439,931	S	4/2001	Yamaguchi	D21/369
6,210,279	B1	4/2001	Dickinson	463/37
6,227,614	B1	5/2001	Rubin	297/172
6,227,970	B1	5/2001	Shimizu et al.	463/20
D443,313	S	6/2001	Brettschneider	D21/369
D446,252	S	8/2001	Yamaguchi	D21/325
6,283,546	B1	9/2001	Hill	297/271.1
6,290,229	B1	9/2001	Perez	273/148
D450,094	S	11/2001	Hedrick et al.	D21/369
6,334,612	B1	1/2002	Wurz et al.	273/143 R
6,354,660	B1	3/2002	Friedrich	297/217.1
D459,402	S	6/2002	Wurz et al.	D21/325
6,422,670	B1	7/2002	Hedrick et al.	312/223.1
6,422,941	B1	7/2002	Thorner et al.	463/30
D463,504	S	9/2002	Stephan	D21/325
D464,377	S	10/2002	Wurz et al.	D21/325
D466,160	S	11/2002	Hirato et al.	D21/325
D467,977	S	12/2002	Gatto et al.	D21/326
D468,364	S	1/2003	Beadell et al.	D21/325
6,530,842	B1	3/2003	Wells et al.	463/46
6,530,872	B2	3/2003	Freshland et al.	494/49
6,572,187	B2	6/2003	Laufer	297/217.1
6,589,114	B2	7/2003	Bradley	463/20

6,609,972	B2	8/2003	Seelig	463/20
6,616,142	B2	9/2003	Adams	273/292
D483,075	S	12/2003	Kang	D21/326
6,715,756	B2	4/2004	Inoue	273/138
D493,843	S	8/2004	Jackson et al.	D21/327
D495,754	S	9/2004	Wurz et al.	D21/370
D495,755	S	9/2004	Wurz et al.	D21/370
D500,098	S	12/2004	Doi	D21/477
D508,268	S	8/2005	Hanchar et al.	D21/369
D508,269	S	8/2005	Wichinsky	D21/369
D509,254	S	9/2005	Rasmussen et al.	D21/369
D512,105	S	11/2005	Chitrapongse et al.	D21/370
D531,677	S *	11/2006	Mallory et al.	D21/369
7,184,277	B2	2/2007	Beirne	361/807
D539,854	S	4/2007	Luciano et al.	D21/369
D572,314	S *	7/2008	Vallejo et al.	D21/370
D578,168	S *	10/2008	Looks et al.	D21/369
2002/0041069	A1	4/2002	Steelman	273/138.1
2003/0122973	A1	7/2003	Huang	348/836
2005/0014547	A1	1/2005	Gomez et al.	463/16

FOREIGN PATENT DOCUMENTS

JP 03210172 B2 2/1993

OTHER PUBLICATIONS

Product Sheet for "Monopoly Chairman of the Board™", WMS Gaming Inc. 2 pages (1999).  
 Product Sheet for "American Eagle", Eagle Co., Ltd., 2 pages (2000).  
 Product Sheet for "Survivor", WMS Gaming Inc., 4 pages, (2001).  
 Product Sheet for "ProSLOT® 6000", Bally Gaming Systems, 4 pages, (2002).  
 Product Sheet for "EVO™ Hybrid", Bally Gaming Systems, 4 pages, (2002).  
 Product Sheet for "3RV™", WMS Gaming Inc., 2 pages, (2002 or earlier).  
 Product Sheet for "Miss America", AC Coin & Slot, 2 pages (2002 or earlier).

\* cited by examiner

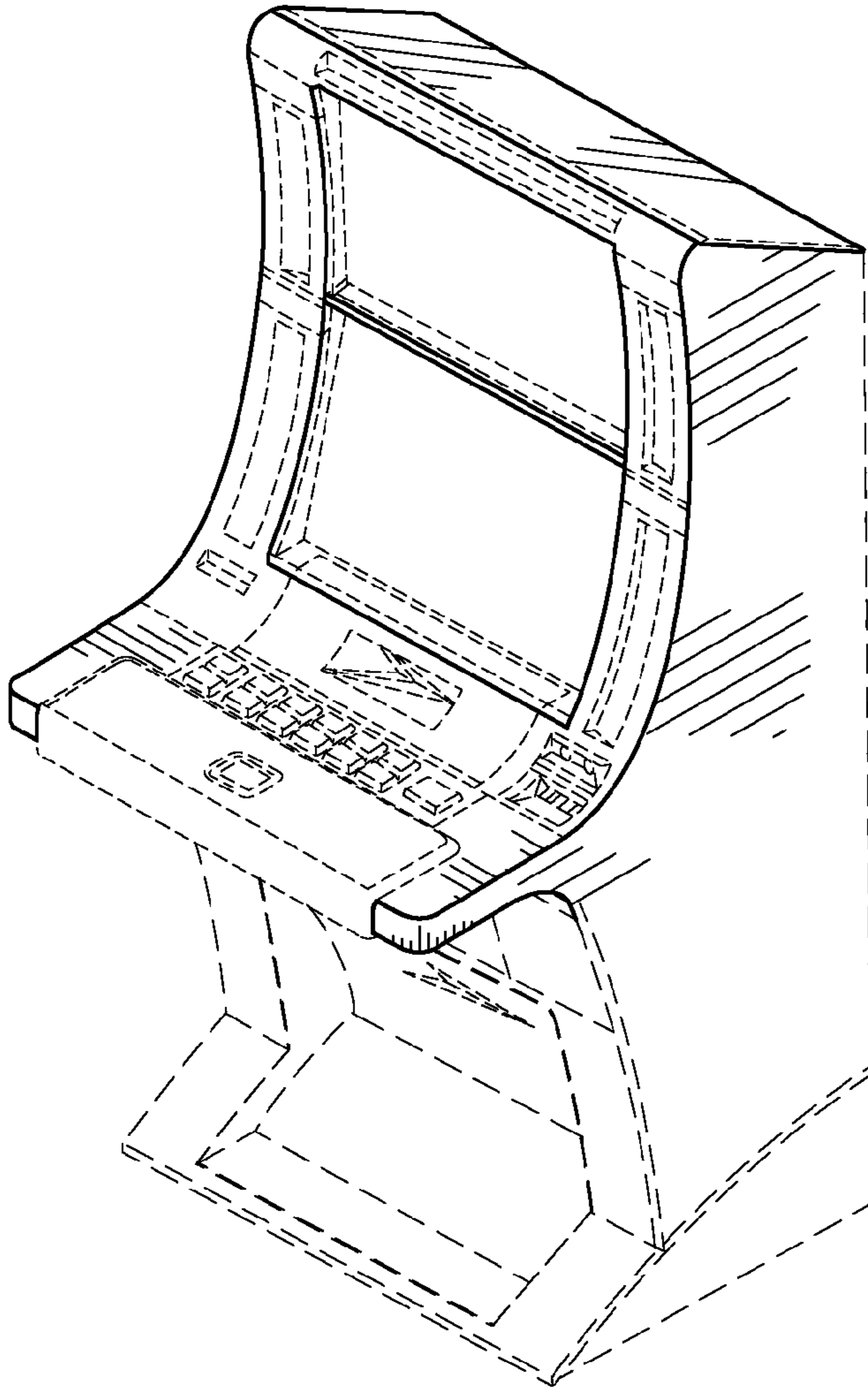


FIG. 1

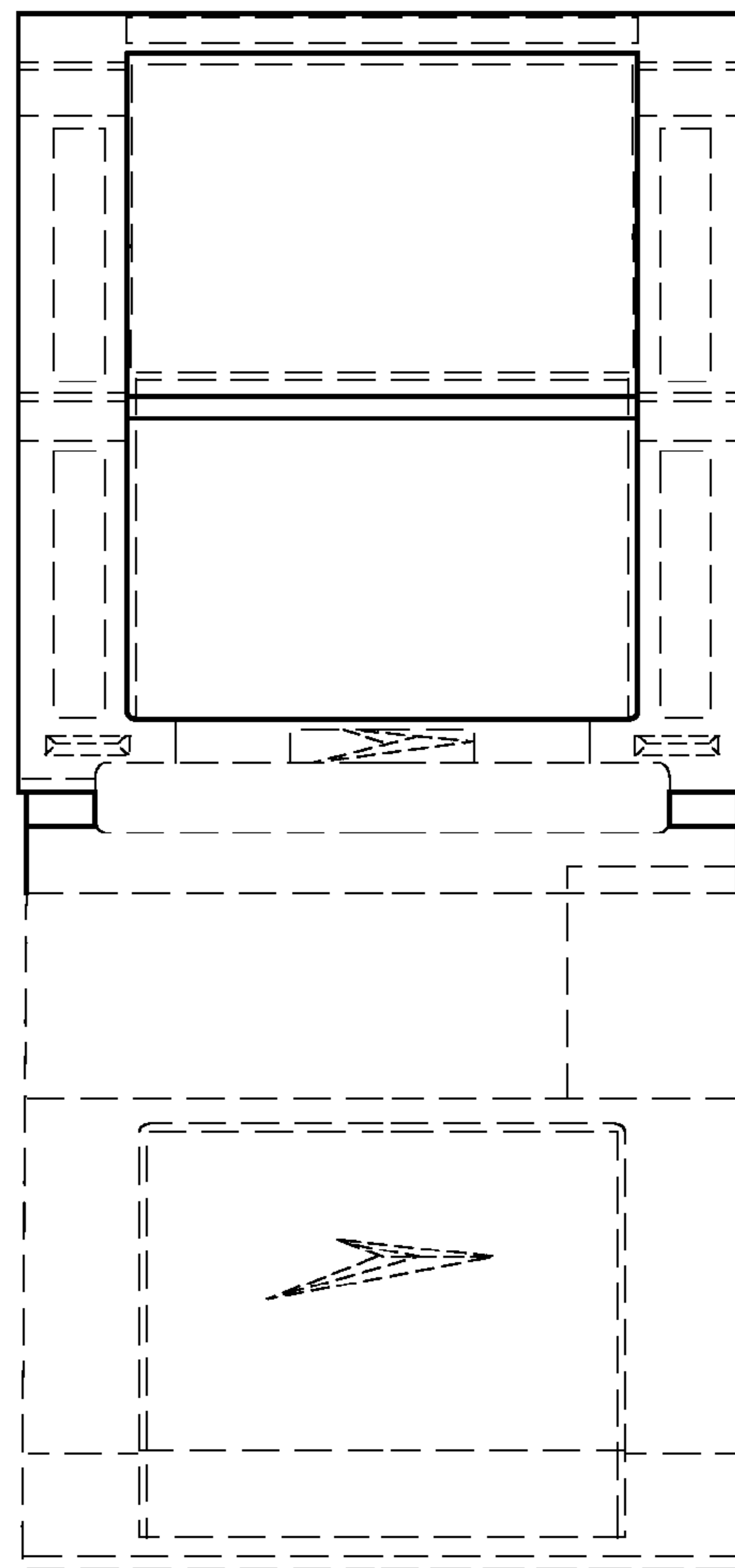


FIG. 2



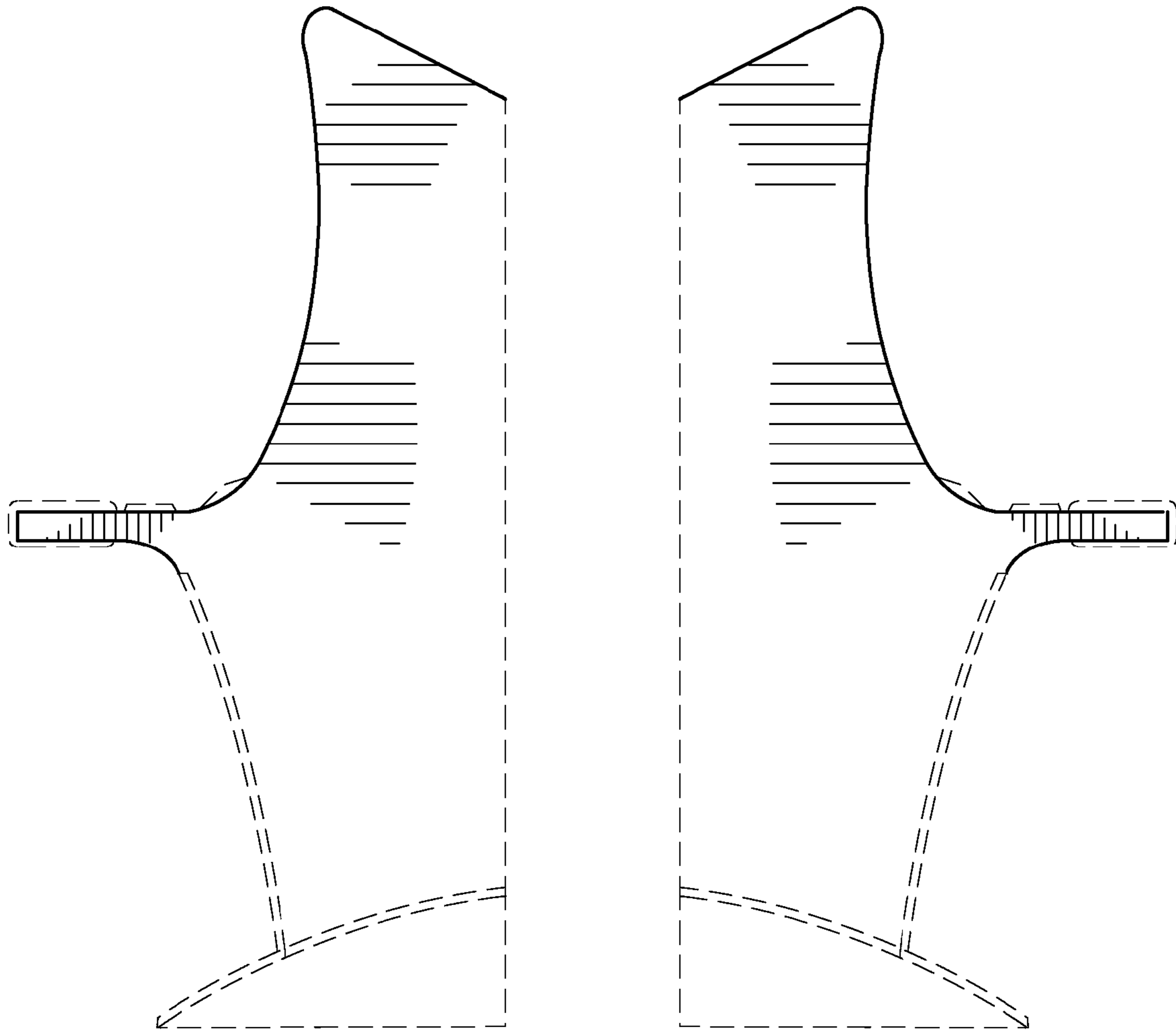


FIG. 3

FIG. 4

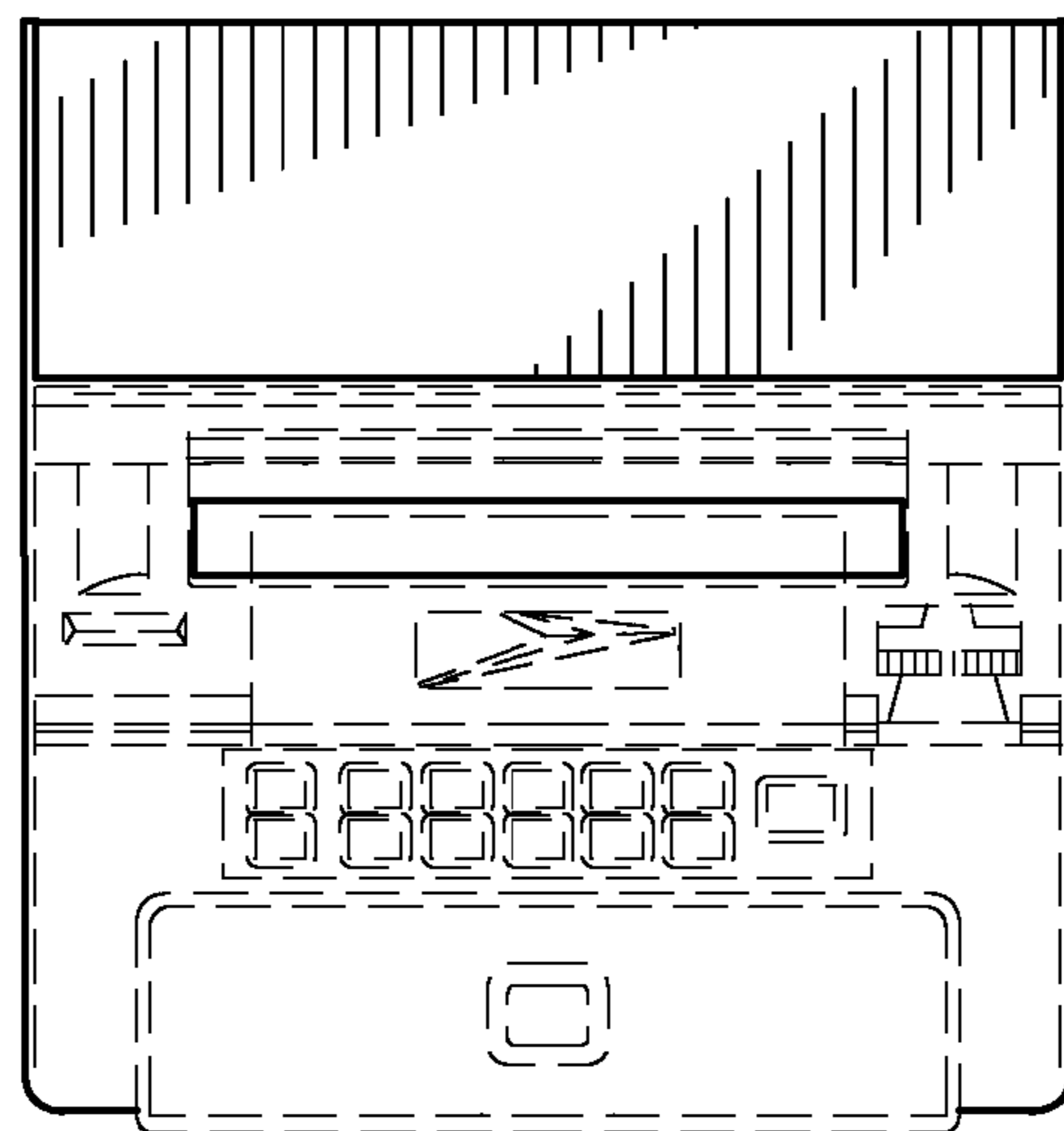


FIG. 5