



US00D604367S

(12) **United States Design Patent**
Thawley

(10) **Patent No.:** **US D604,367 S**

(45) **Date of Patent:** **** Nov. 17, 2009**

(54) **DOCUMENT VALIDATOR**

D498,795 S * 11/2004 Nunn D20/8
D547,806 S * 7/2007 Uemizo D20/8

(75) Inventor: **Jeffrey T. Thawley**, Wilmington, DE
(US)

OTHER PUBLICATIONS

(73) Assignee: **MEI, Inc.**, West Chester, PA (US)

MEI Cashflow SC Series: *One Product. Three New Ways to Make Money*, Jun. 2007, 4 pages.

(**) Term: **14 Years**

* cited by examiner

(21) Appl. No.: **29/305,783**

Primary Examiner—Janice E Seeger
Assistant Examiner—Mary Ann Calabrese

(22) Filed: **Mar. 27, 2008**

(74) *Attorney, Agent, or Firm*—Fish & Richardson P.C.

(51) **LOC (9) Cl.** **20-01**

(57) **CLAIM**

(52) **U.S. Cl.** **D20/8**

The ornamental designs for a document validator, as shown and described.

(58) **Field of Classification Search** D20/1-9;
D18/3.1, 3.3, 14; D99/28; 194/229, 239,
194/302, 342, 344, 350; 209/534; 232/92,
232/96, 104, 151, 155, 191, 194; 271/240;
382/135

DESCRIPTION

See application file for complete search history.

FIGS. 1-7 illustrate a first embodiment of the document validator. FIG. 1 is an isometric view, FIG. 2 is a front view, FIG. 3 is a back view, FIG. 4 is left side view, FIG. 5 is a right side view, FIG. 6 is a top view, and FIG. 7 is a bottom view; and,

(56) **References Cited**

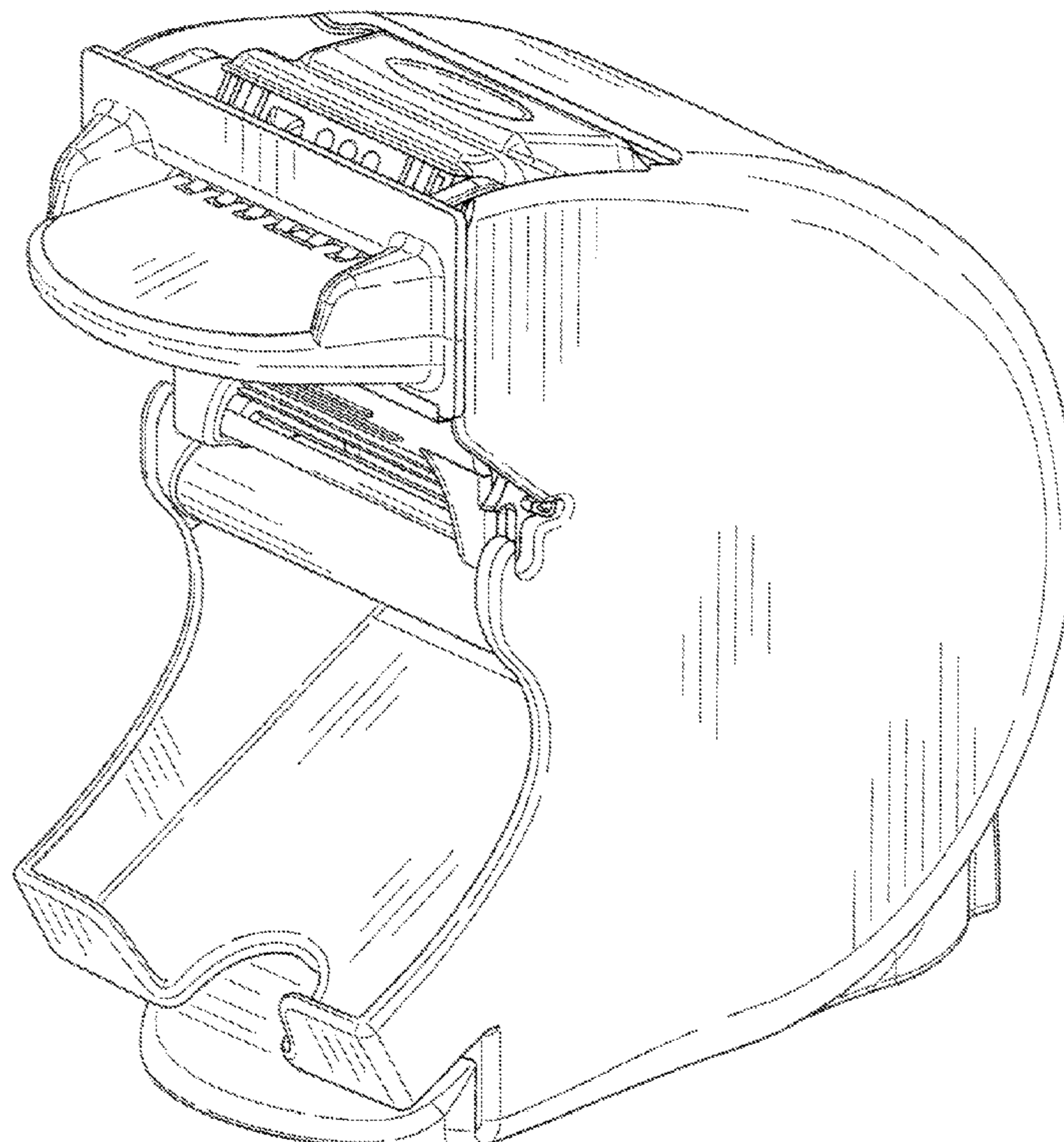
U.S. PATENT DOCUMENTS

- D206,836 S * 1/1967 Ringholtz D18/14
- D288,377 S * 2/1987 Kobayashi et al. D20/9
- D321,212 S * 10/1991 Unruh D20/8
- 5,875,259 A 2/1999 Mennie et al.
- D427,623 S * 7/2000 Kuwada et al. D18/3.1
- 6,149,150 A * 11/2000 Onipchenko et al. 271/240
- 6,578,713 B1 * 6/2003 Matsuura et al. 209/534
- D476,688 S * 7/2003 Yu D20/8
- D483,057 S * 12/2003 Bergeron et al. D18/3.3
- D490,101 S * 5/2004 Bergeron et al. D18/3.3

FIGS. 8-14 illustrate a second embodiment of the document validator. FIG. 8 is an isometric view, FIG. 9 is a front view, FIG. 10 is a back view, FIG. 11 is left side view, FIG. 12 is a right side view, FIG. 13 is a top view, and FIG. 14 is a bottom view.

The broken lines in FIG. 3 are included for the purpose of illustrating portions of the document validator that form no part of the claimed design.

1 Claim, 10 Drawing Sheets



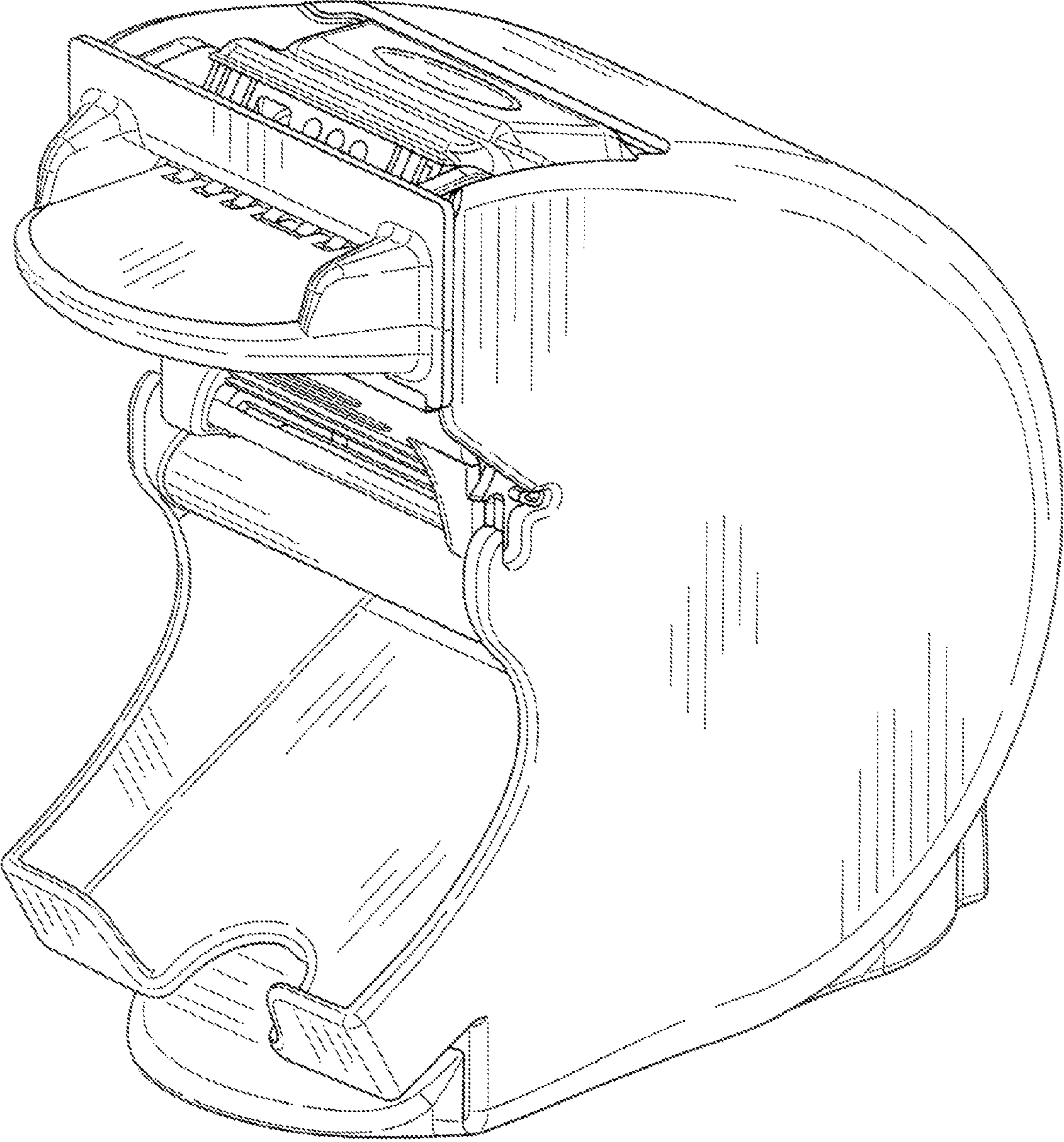


FIG. 1

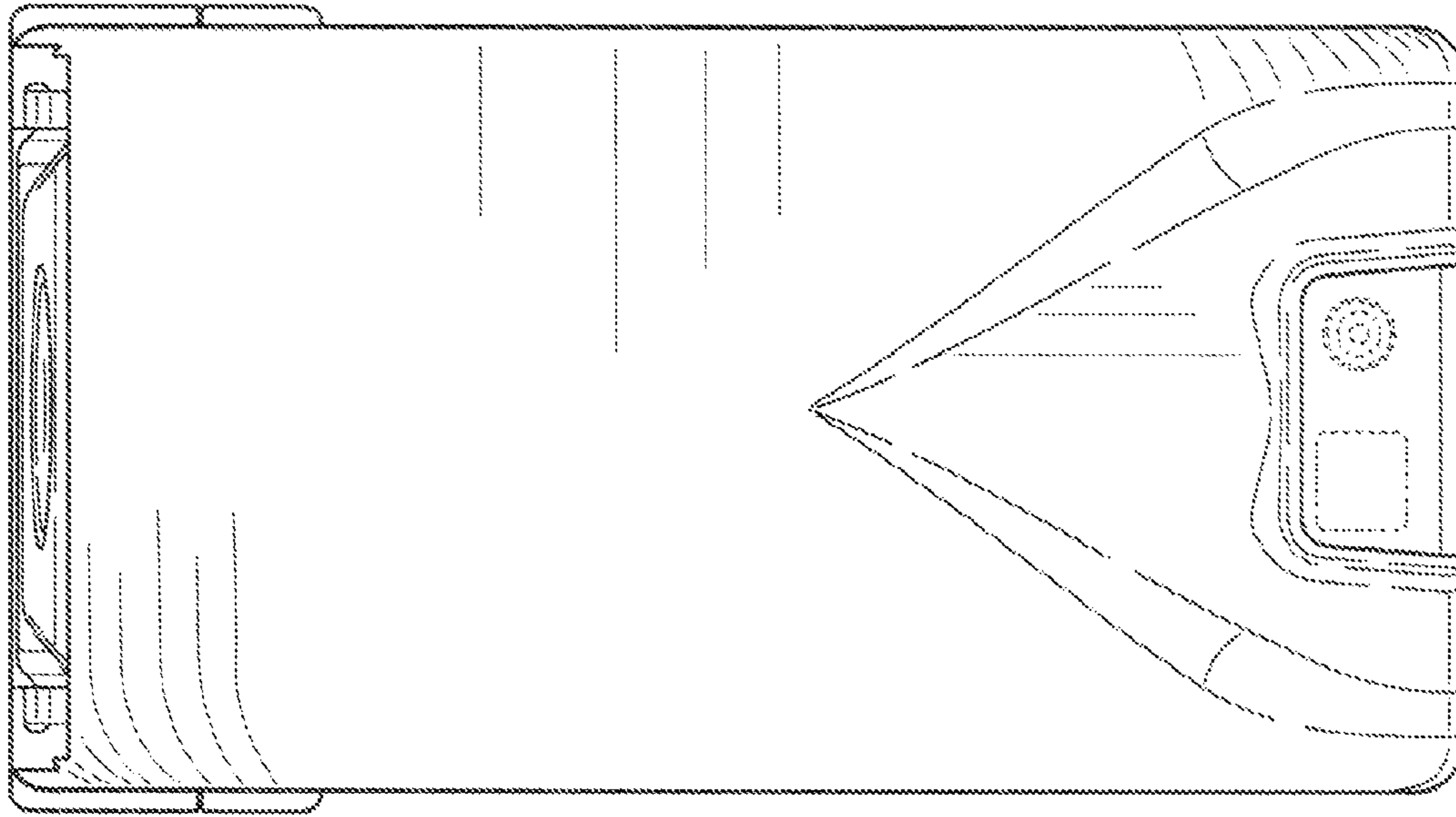


FIG. 3

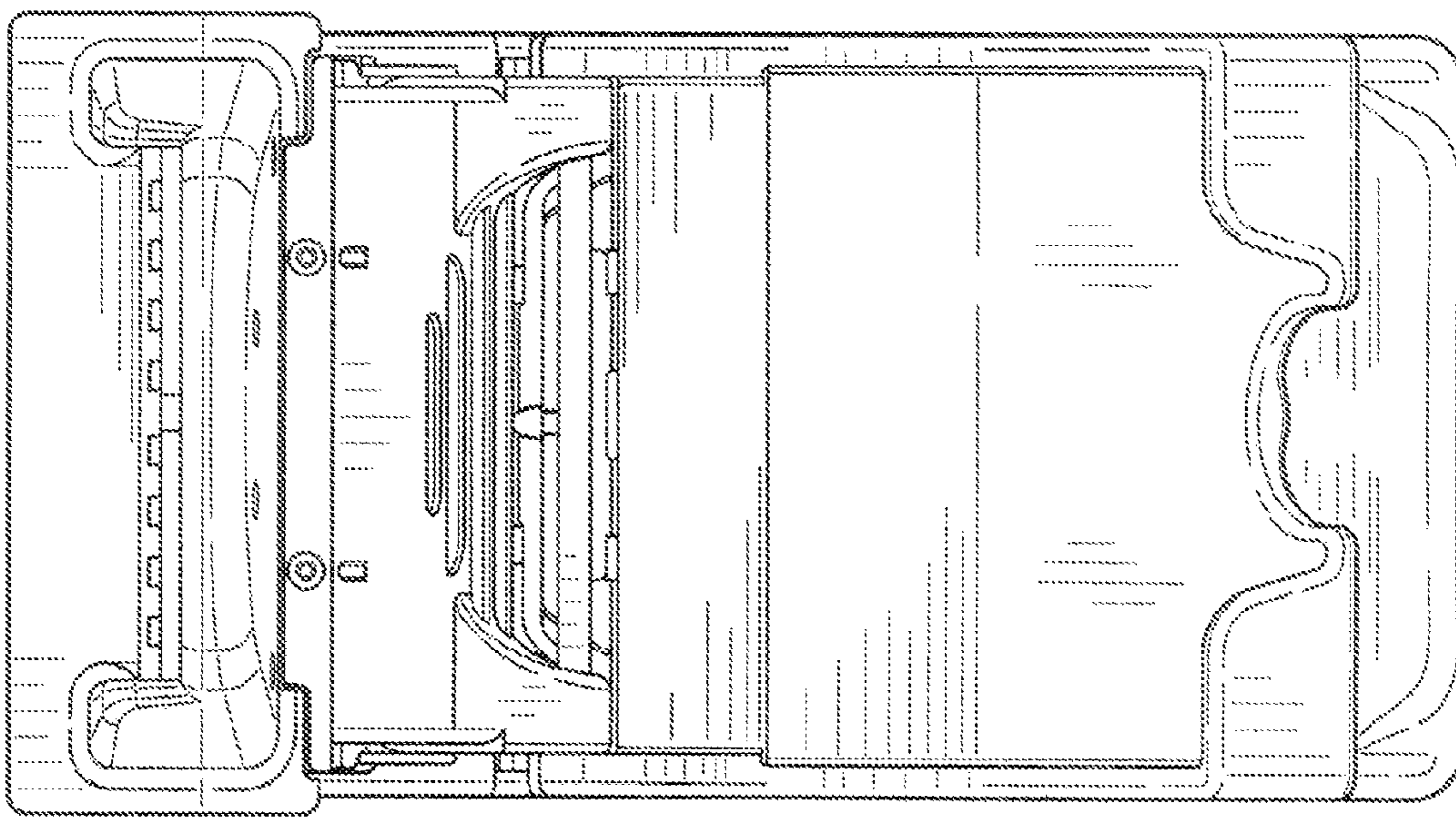


FIG. 2

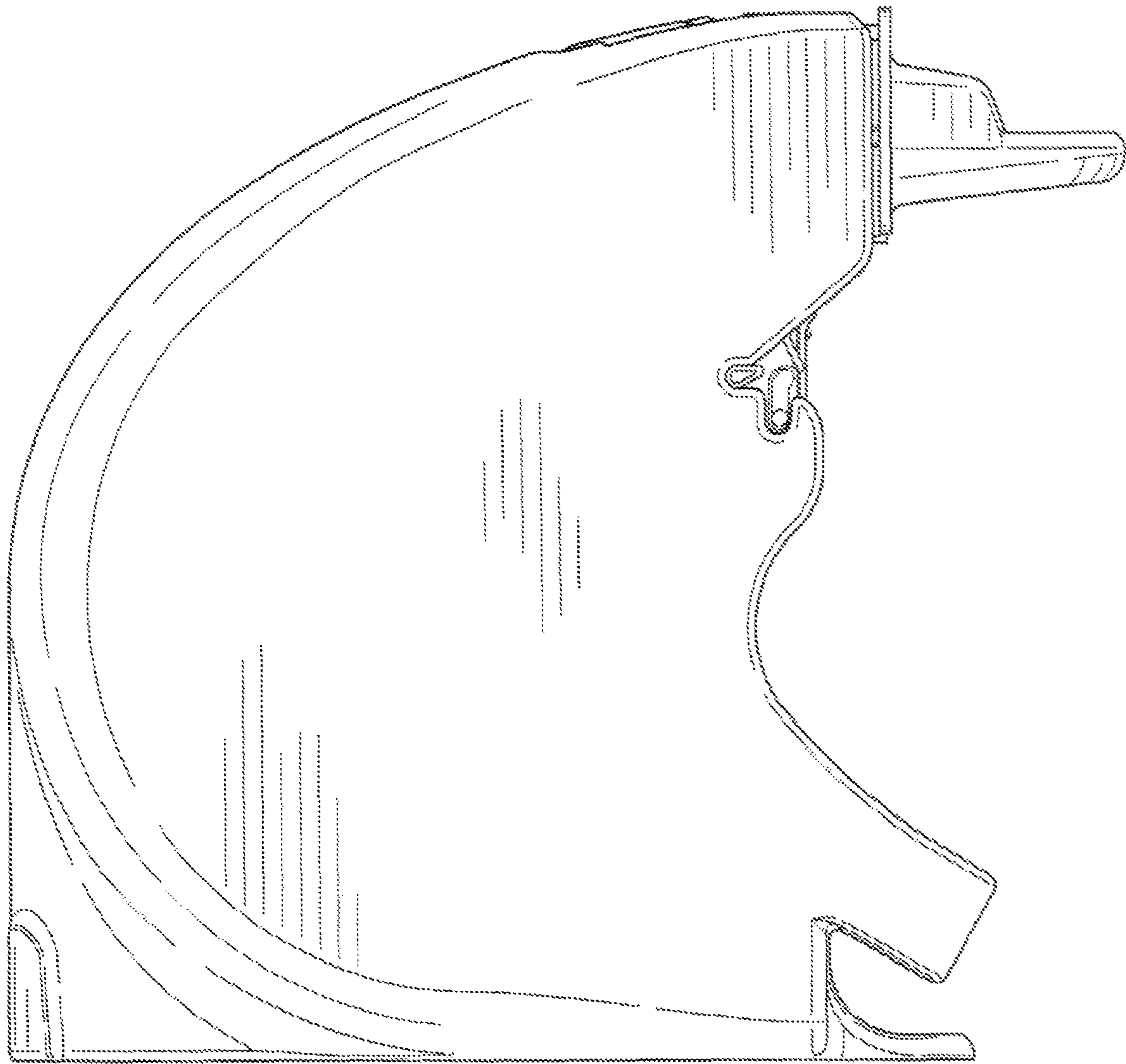


FIG. 4

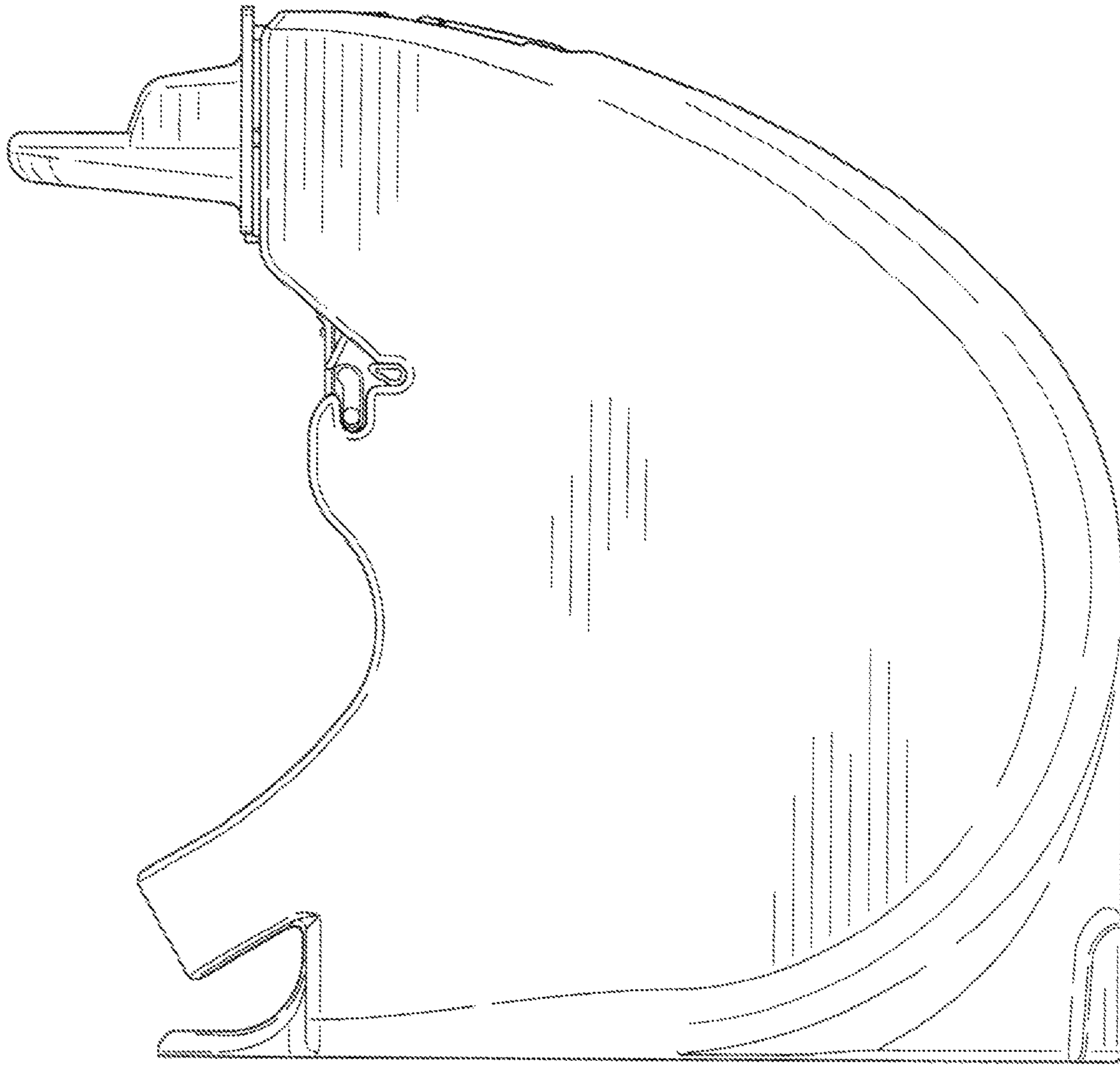


FIG. 5

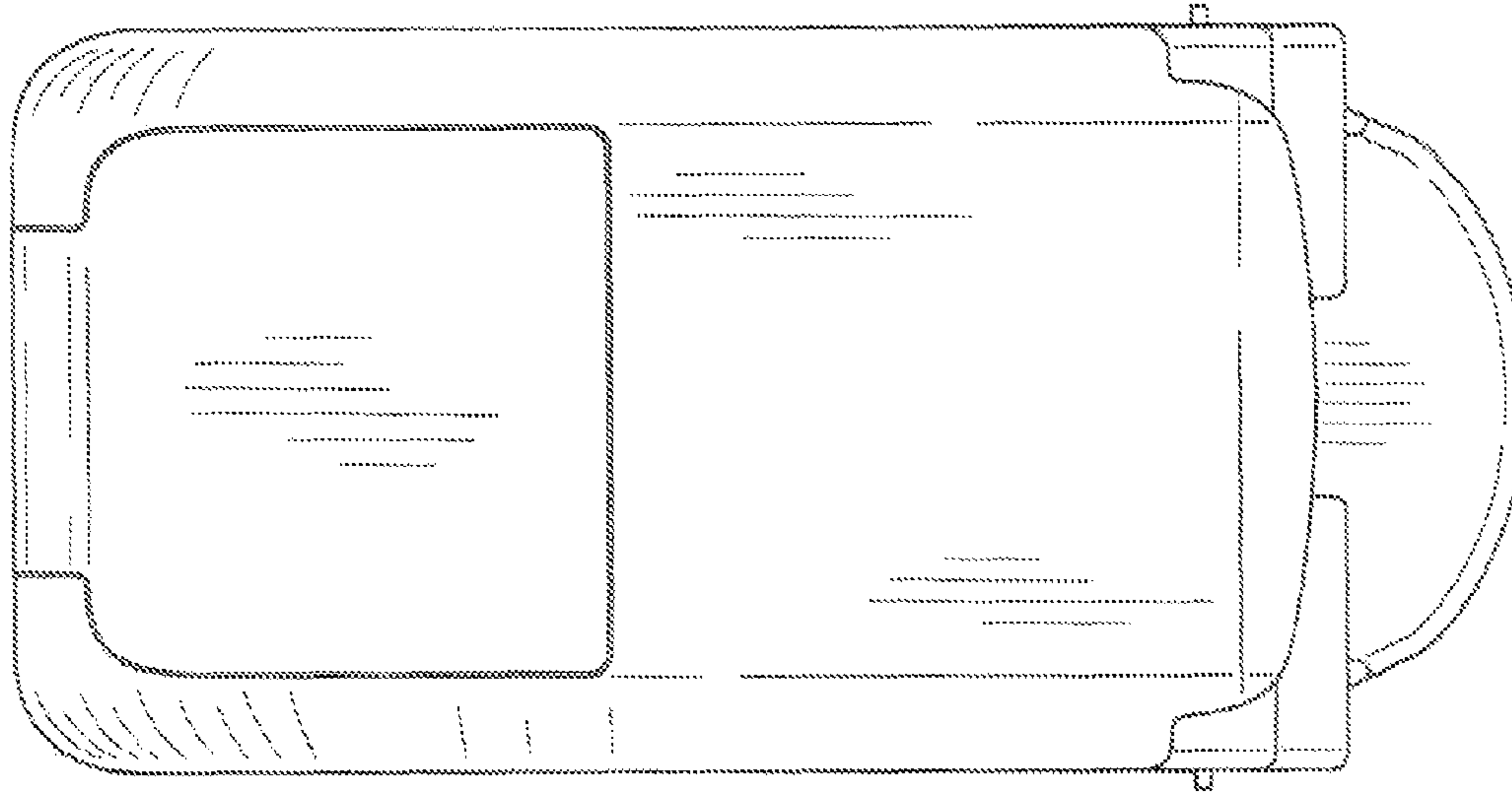


FIG. 7

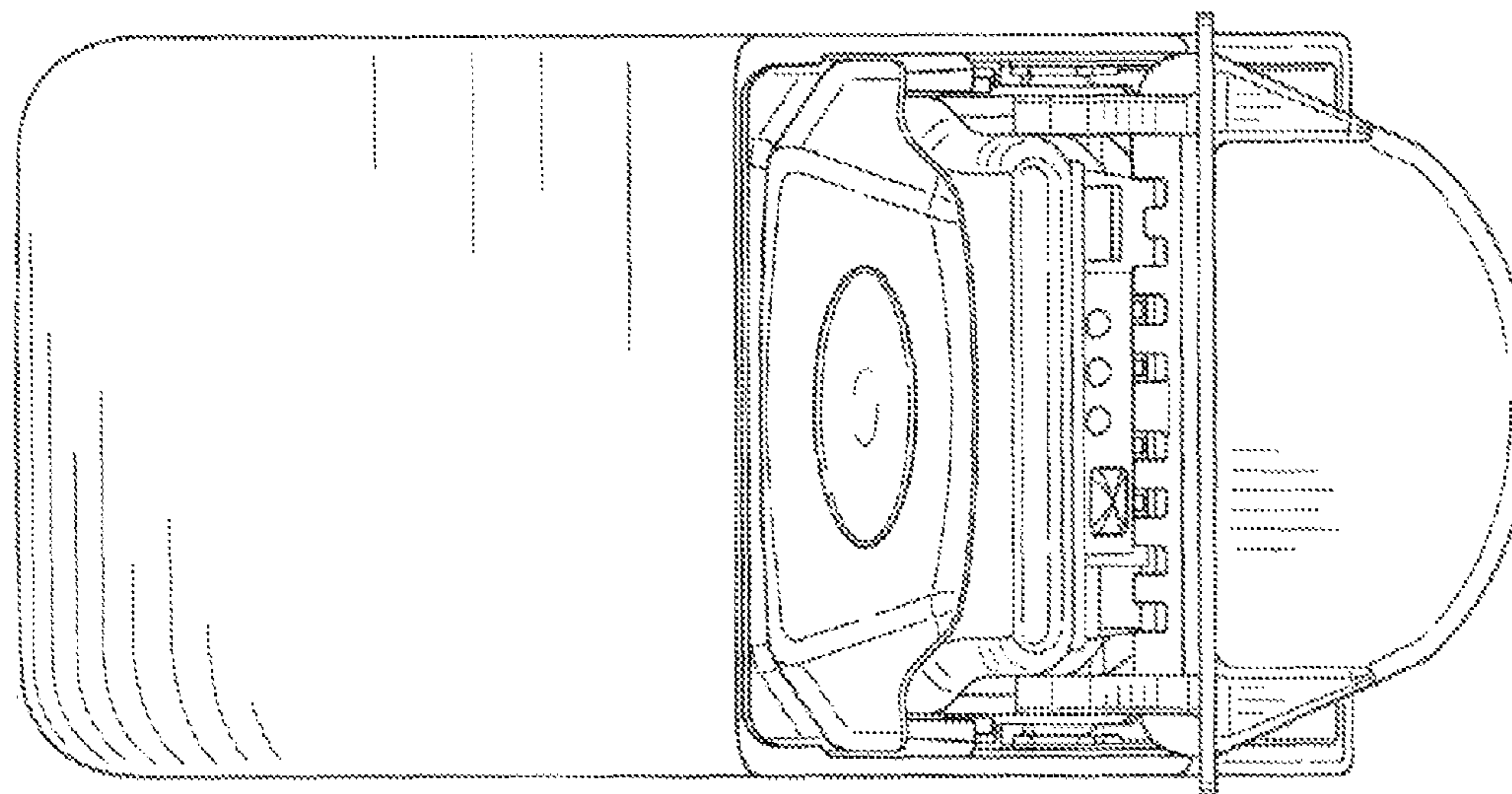


FIG. 6

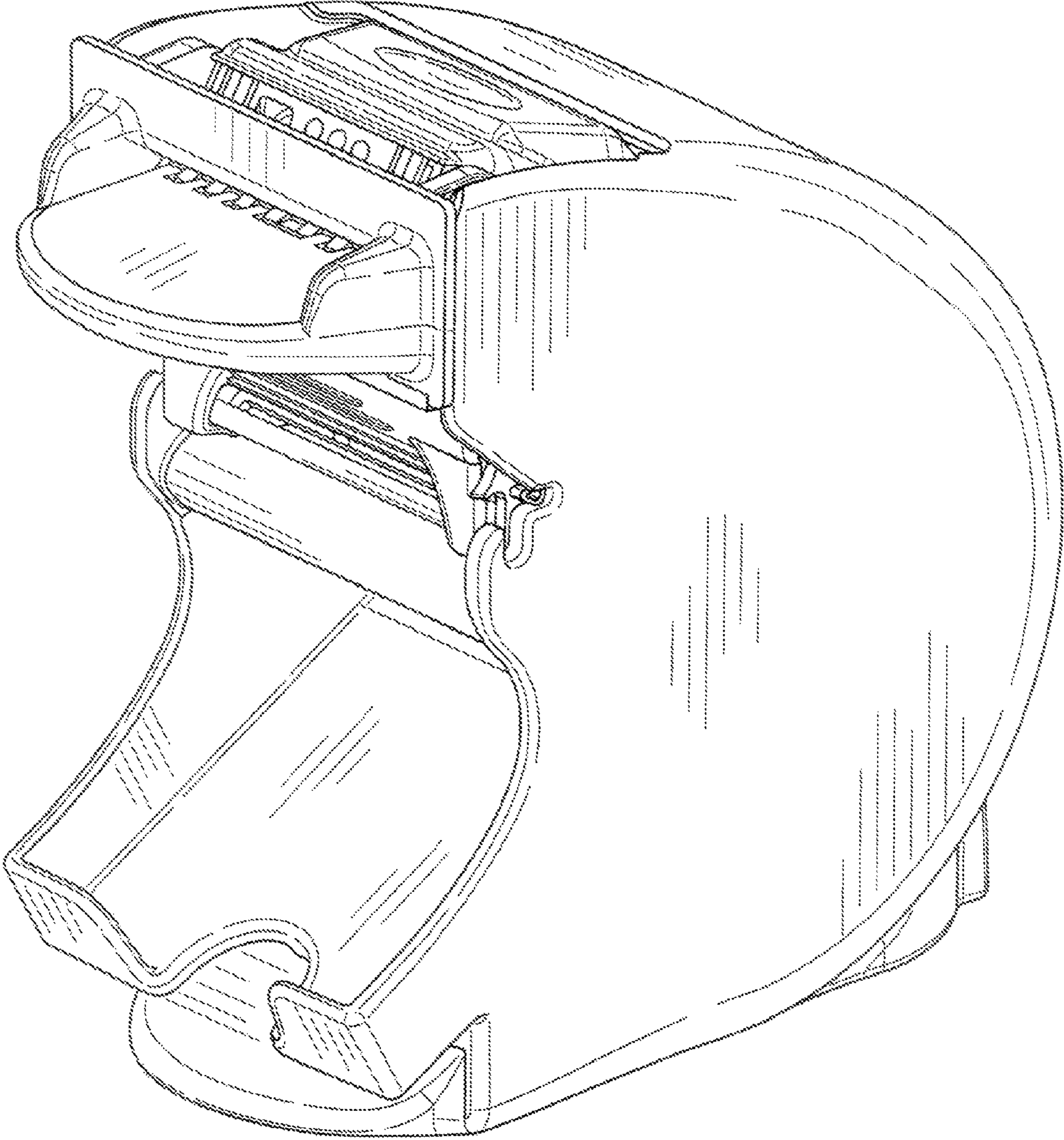


FIG. 8

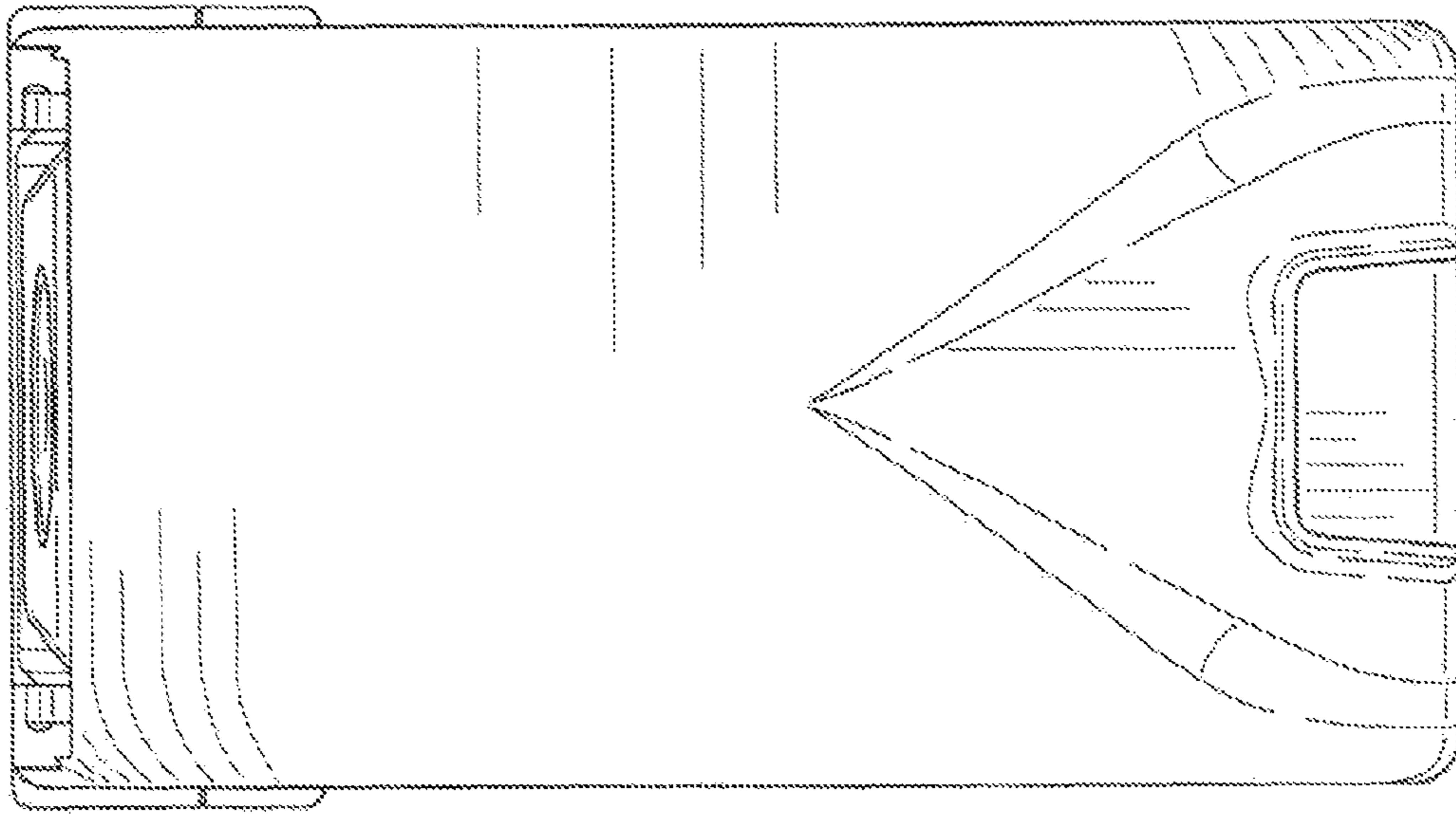


FIG. 10

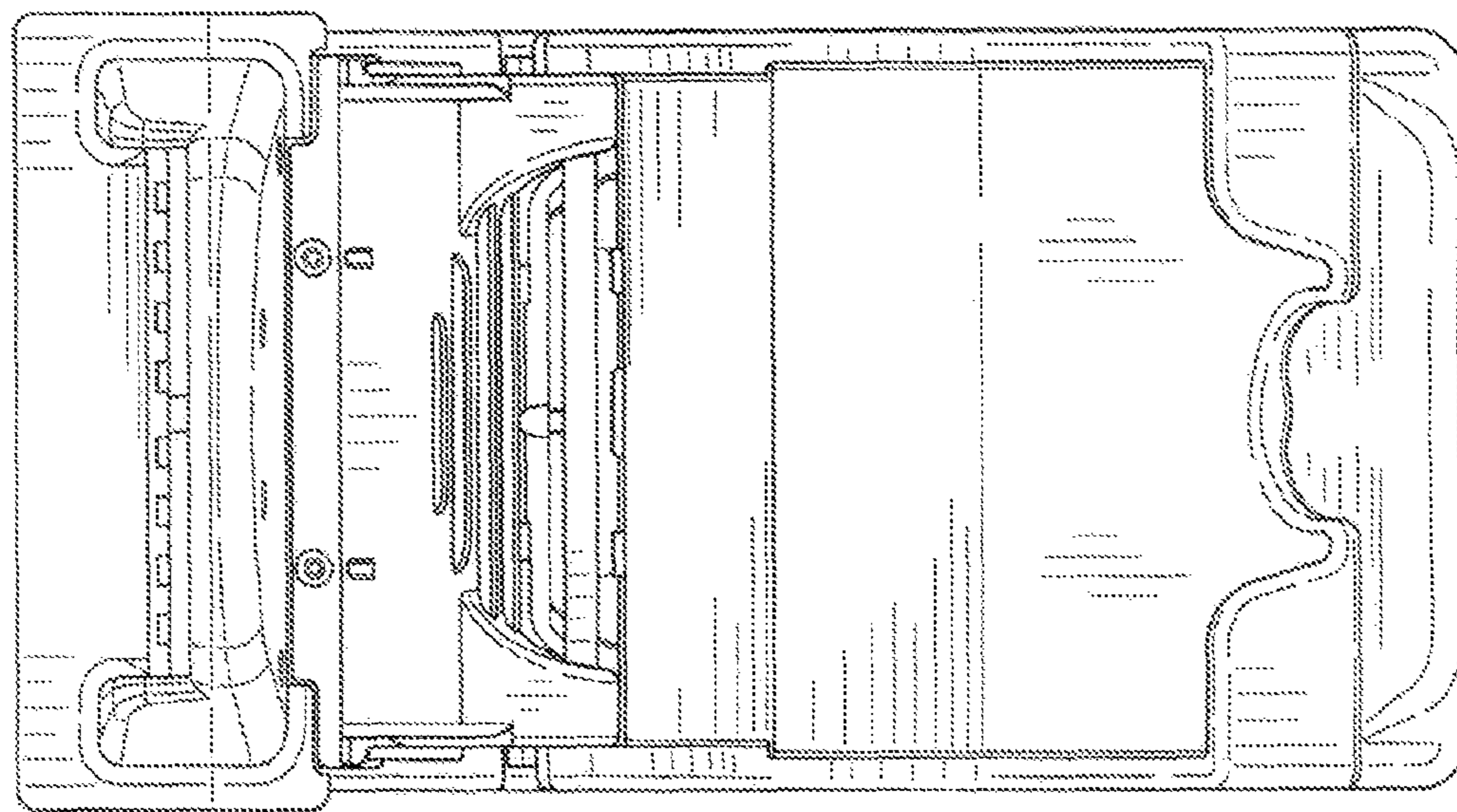


FIG. 9

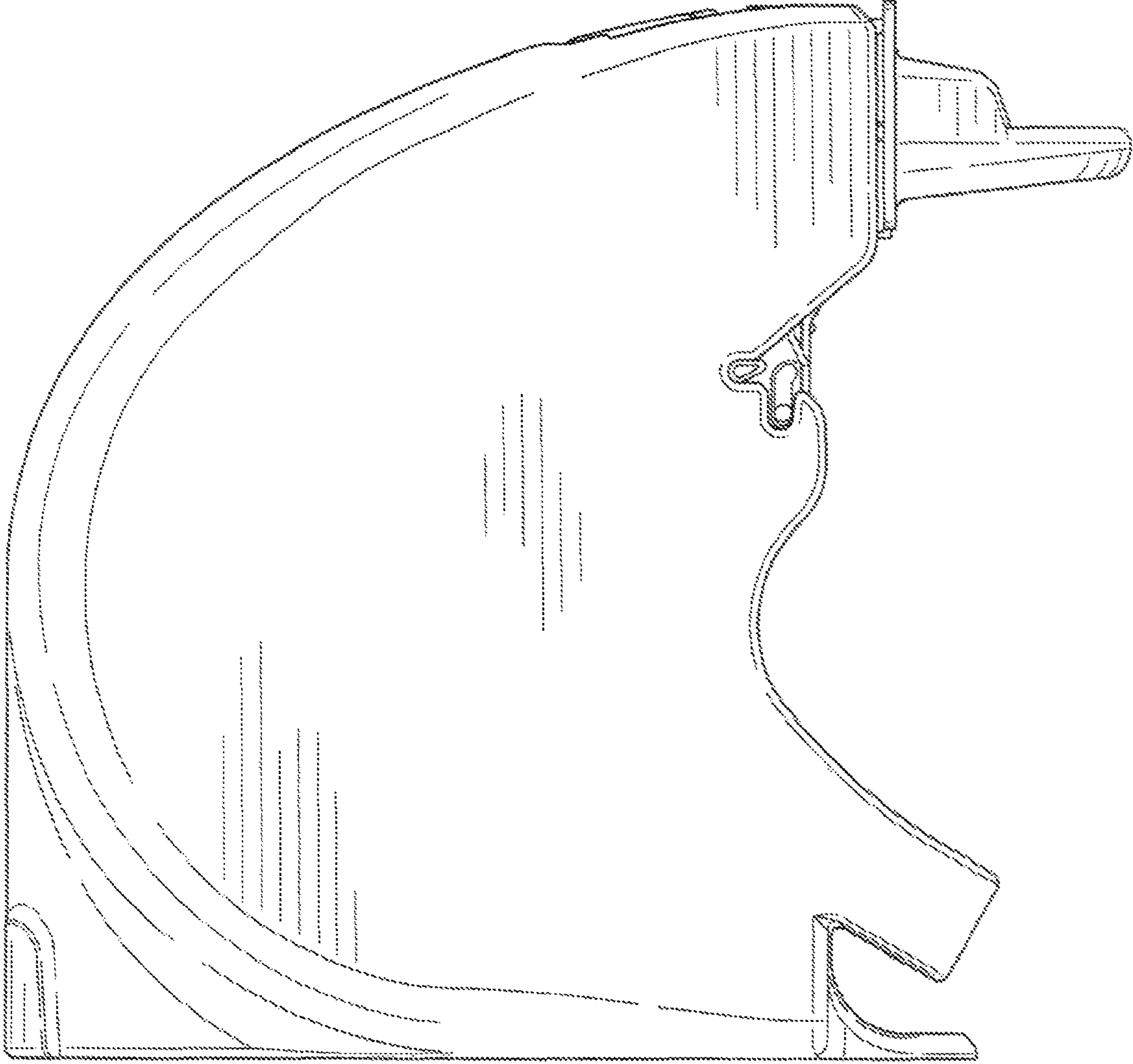


FIG. 11

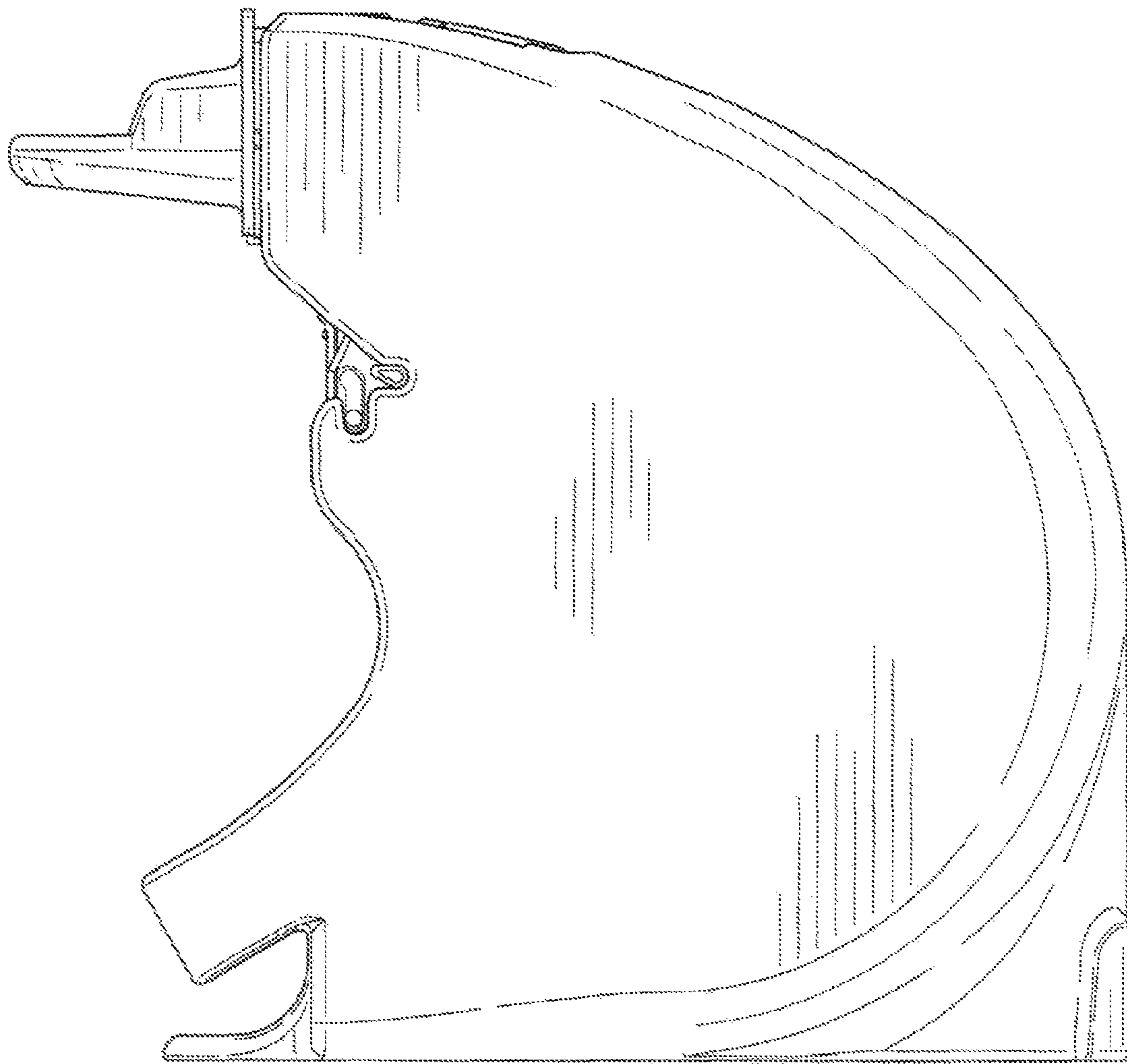


FIG. 12

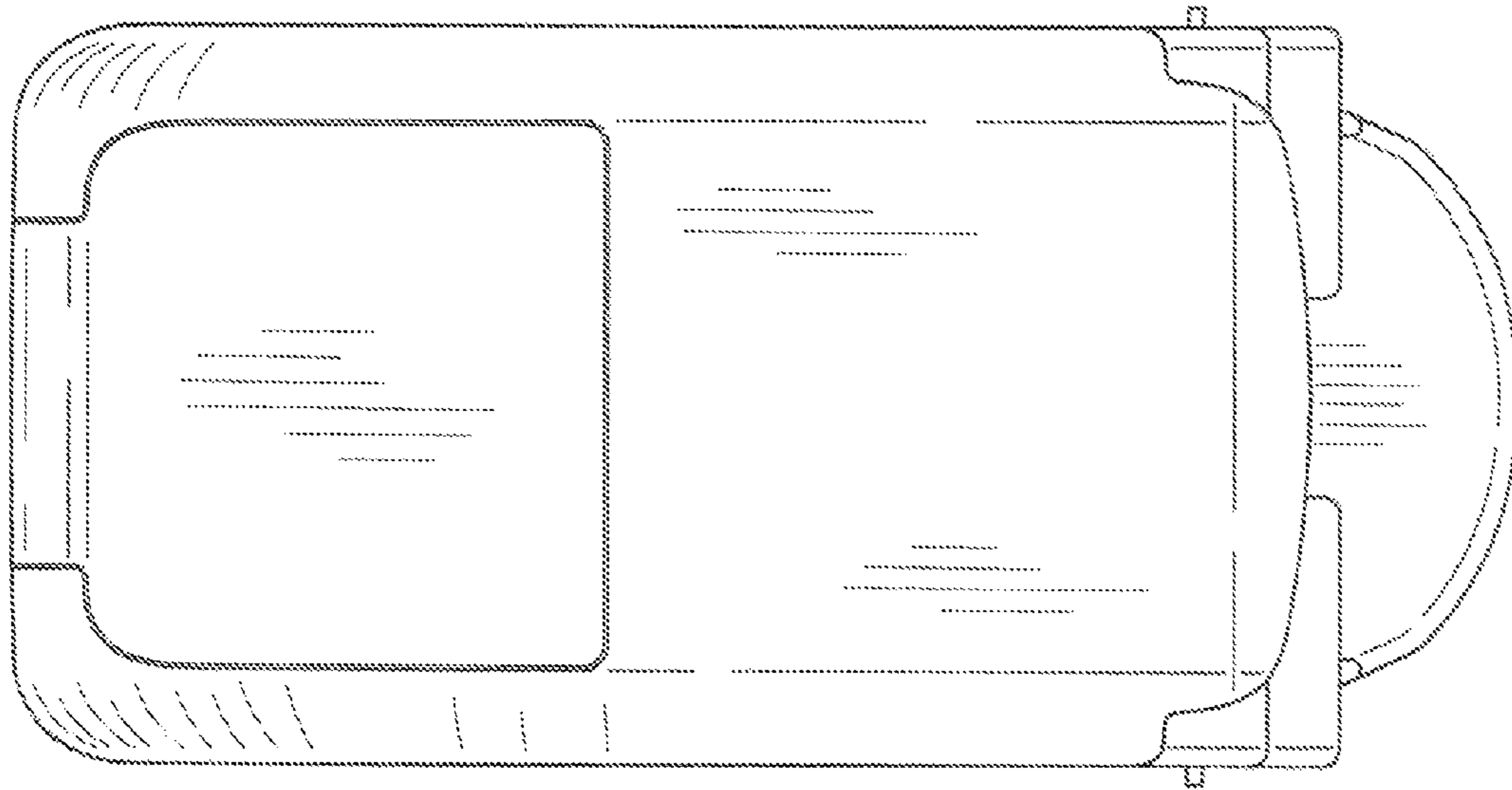


FIG. 14

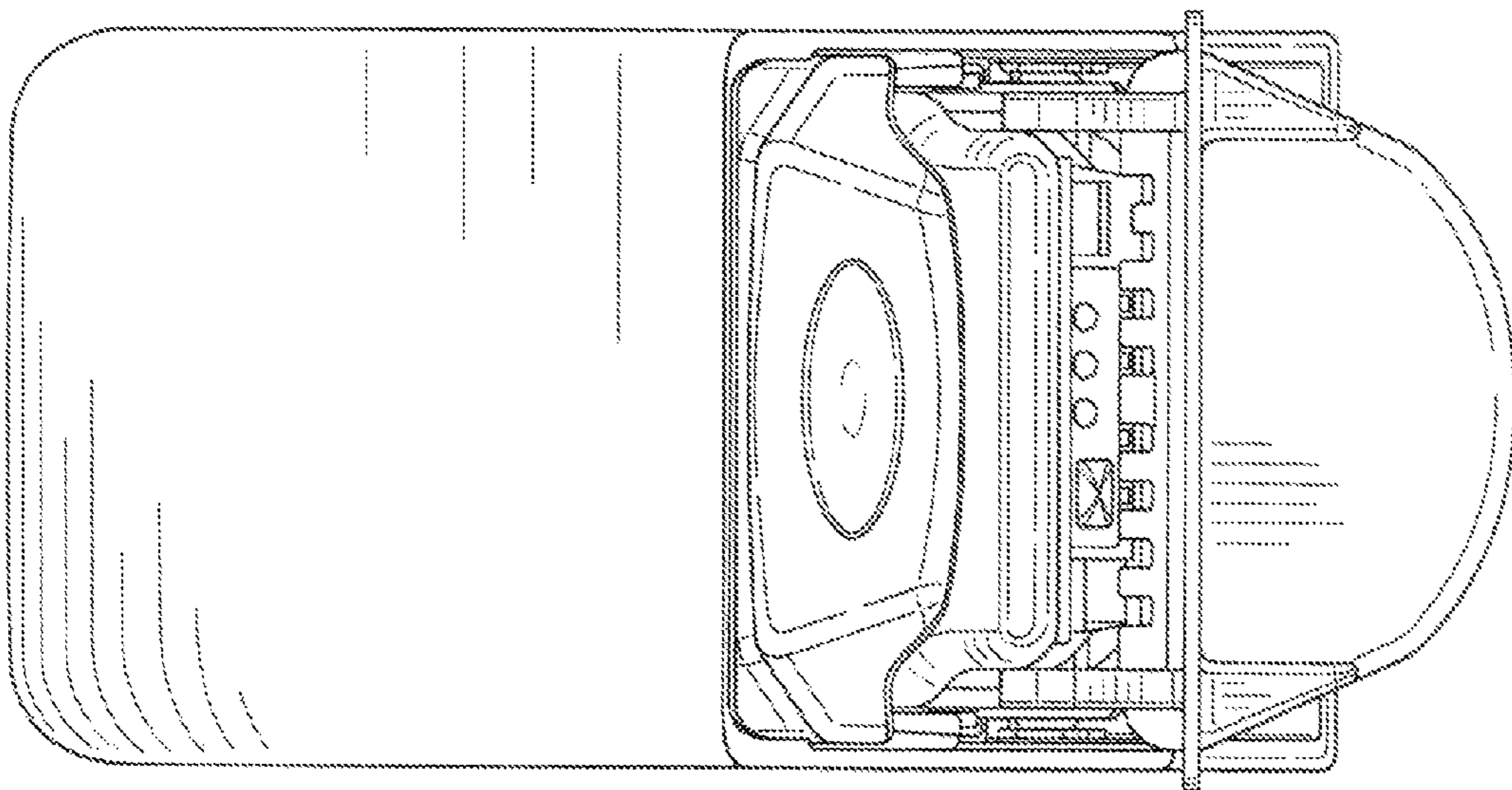


FIG. 13