



US00D604366S

(12) **United States Design Patent**  
**Liu et al.**

(10) **Patent No.:** **US D604,366 S**  
(45) **Date of Patent:** **\*\* Nov. 17, 2009**

(54) **DISPENSING PACKAGE FOR RELEASABLE ADHESIVE TAGS**

(75) Inventors: **Jen-Rong Liu**, Kaohsiung Hsien (TW);  
**Chin-Chung Tsai**, Taipei Hsien (TW);  
**Shu-Wei Ho**, Kaohsiung Hsien (TW)

(73) Assignee: **Taiwan Hopax Chemicals Mfg. Co., Ltd.**, Kaohsiung County (TW)

(\*\*) Term: **14 Years**

(21) Appl. No.: **29/302,346**

(22) Filed: **Jan. 15, 2008**

(51) **LOC (9) Cl.** ..... **19-02**

(52) **U.S. Cl.** ..... **D19/86**

(58) **Field of Classification Search** ..... D6/515,  
D6/518; D19/65, 67, 68, 69, 75, 78, 89,  
D19/91, 92, 95, 99, 100; 206/215; 211/10,  
211/11; 221/33, 35, 36, 47, 48, 49, 50, 51,  
221/52, 56, 61, 63

See application file for complete search history.

(56) **References Cited**

**U.S. PATENT DOCUMENTS**

D153,257	S	*	4/1949	Braun et al.	.....	D9/420
3,095,996	A	*	7/1963	Babin	.....	221/52
3,678,977	A	*	7/1972	Baumgartner	.....	150/110
D238,469	S	*	1/1976	Lanius	.....	D6/518
D306,462	S	*	3/1990	Miles et al.	.....	D19/86
4,907,825	A	*	3/1990	Miles et al.	.....	281/51
D331,075	S	*	11/1992	Dotterman et al.	.....	D19/86
D339,823	S	*	9/1993	Evenson	.....	D19/75

D359,513	S	*	6/1995	Carlson	.....	D19/86
5,518,144	A	*	5/1996	Samuelson et al.	.....	221/33
D372,858	S	*	8/1996	Sunley	.....	D8/499
5,964,375	A	*	10/1999	Carlson et al.	.....	221/45
D419,601	S	*	1/2000	Windorski	.....	D19/86
D496,964	S	*	10/2004	Thompson et al.	.....	D19/86
6,837,395	B2	*	1/2005	Windorski et al.	.....	221/1
7,118,008	B2	*	10/2006	Hsu	.....	221/45
7,275,658	B2	*	10/2007	Decker et al.	.....	221/61
7,547,155	B2	*	6/2009	Windorski	.....	401/195
2004/0256405	A1	*	12/2004	Thompson et al.	.....	221/63

\* cited by examiner

*Primary Examiner*—Elizabeth A Albert

*Assistant Examiner*—Karen E Eldridge Powers

(74) *Attorney, Agent, or Firm*—Darby & Darby P.C.

(57) **CLAIM**

The ornamental design for dispensing package for releasable adhesive tags, as shown and described.

**DESCRIPTION**

FIG. 1 is a perspective view of dispensing package for releasable adhesive tags showing my new design;

FIG. 2 is a front elevational view thereof;

FIG. 3 is a rear elevational view thereof;

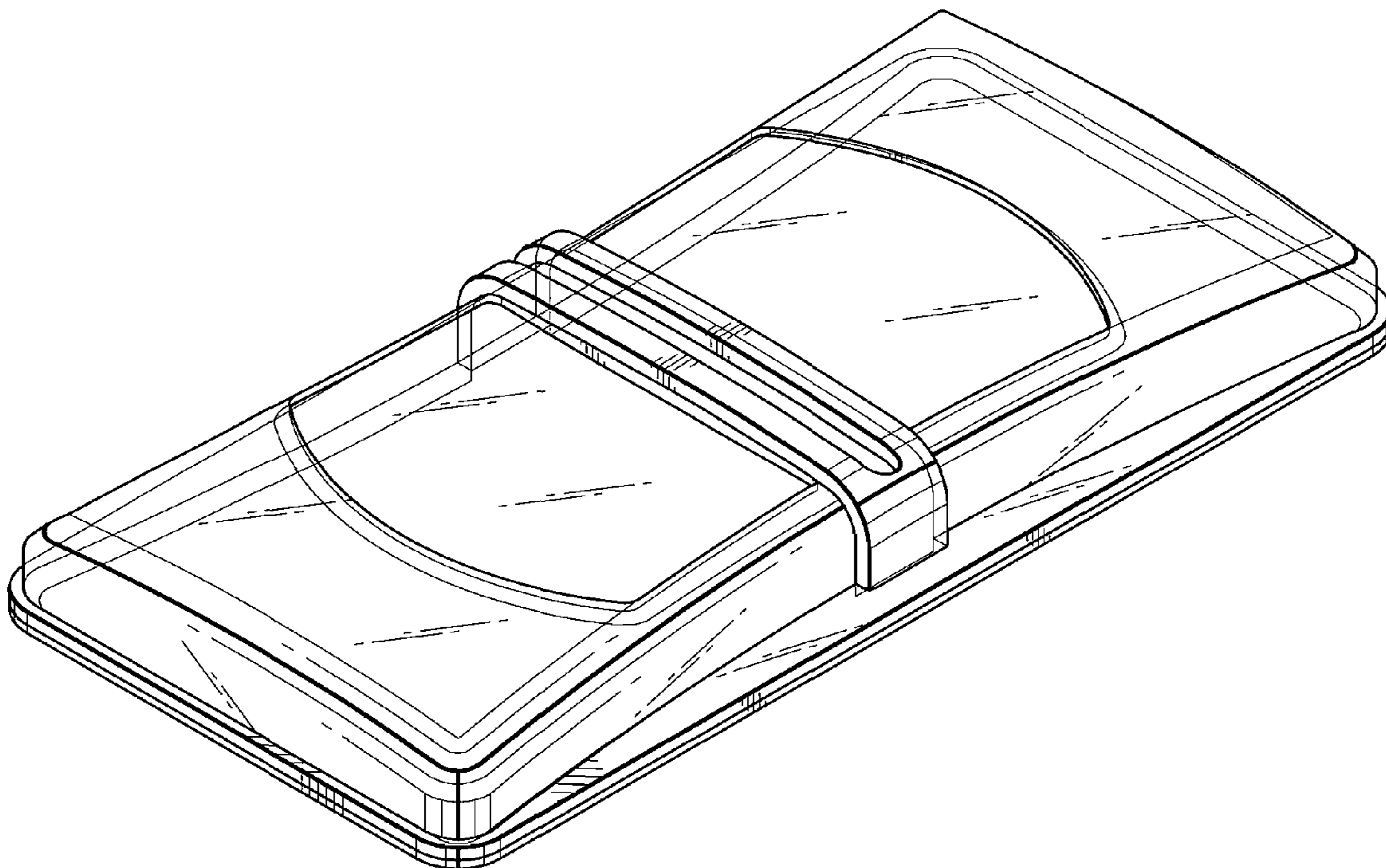
FIG. 4 is a left side elevational view thereof;

FIG. 5 is a right side elevational view thereof;

FIG. 6 is a top plan view thereof; and,

FIG. 7 is a bottom plan view thereof.

**1 Claim, 4 Drawing Sheets**



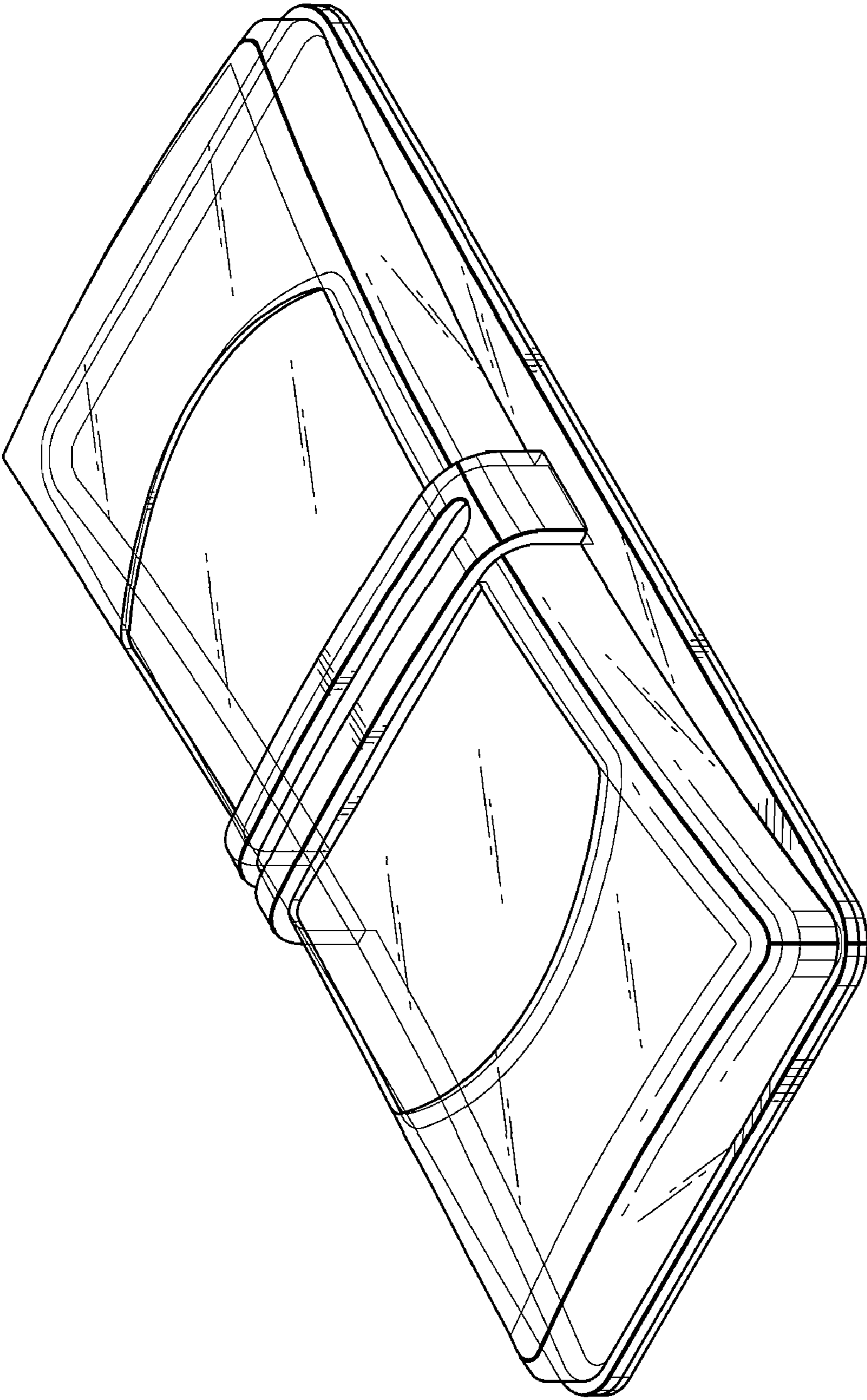


FIG. 1

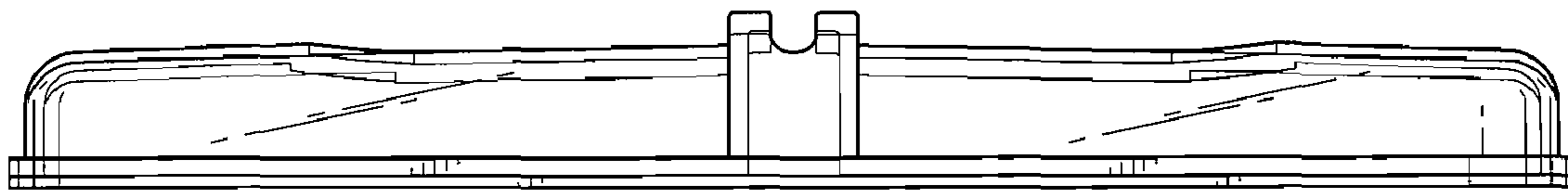


FIG. 2

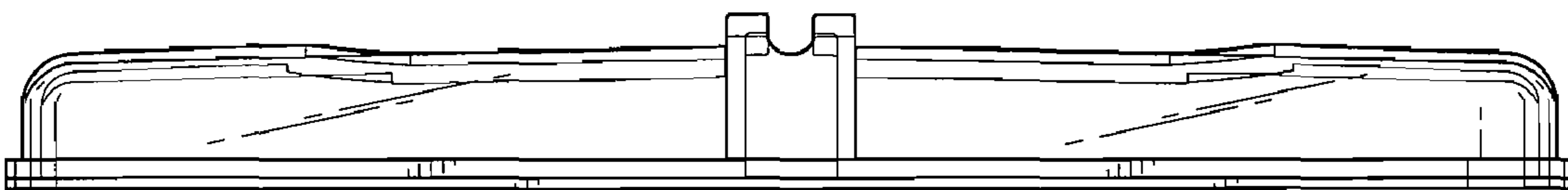


FIG. 3

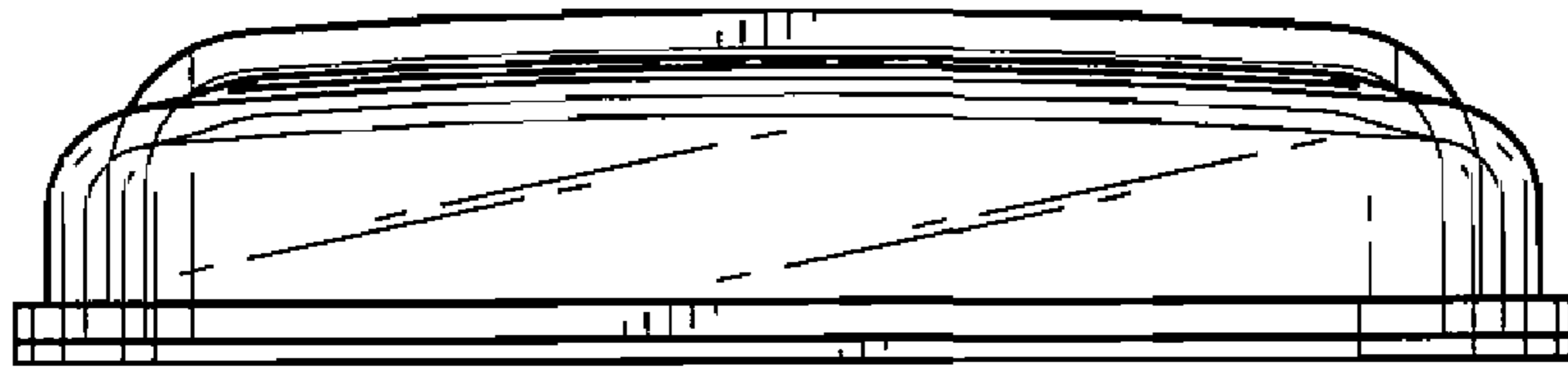


FIG. 4

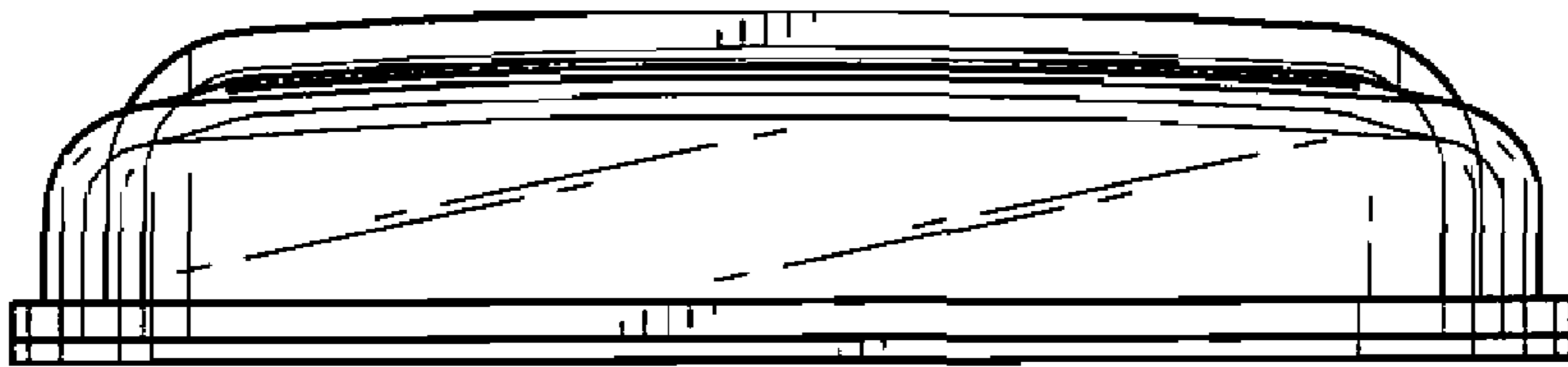


FIG. 5

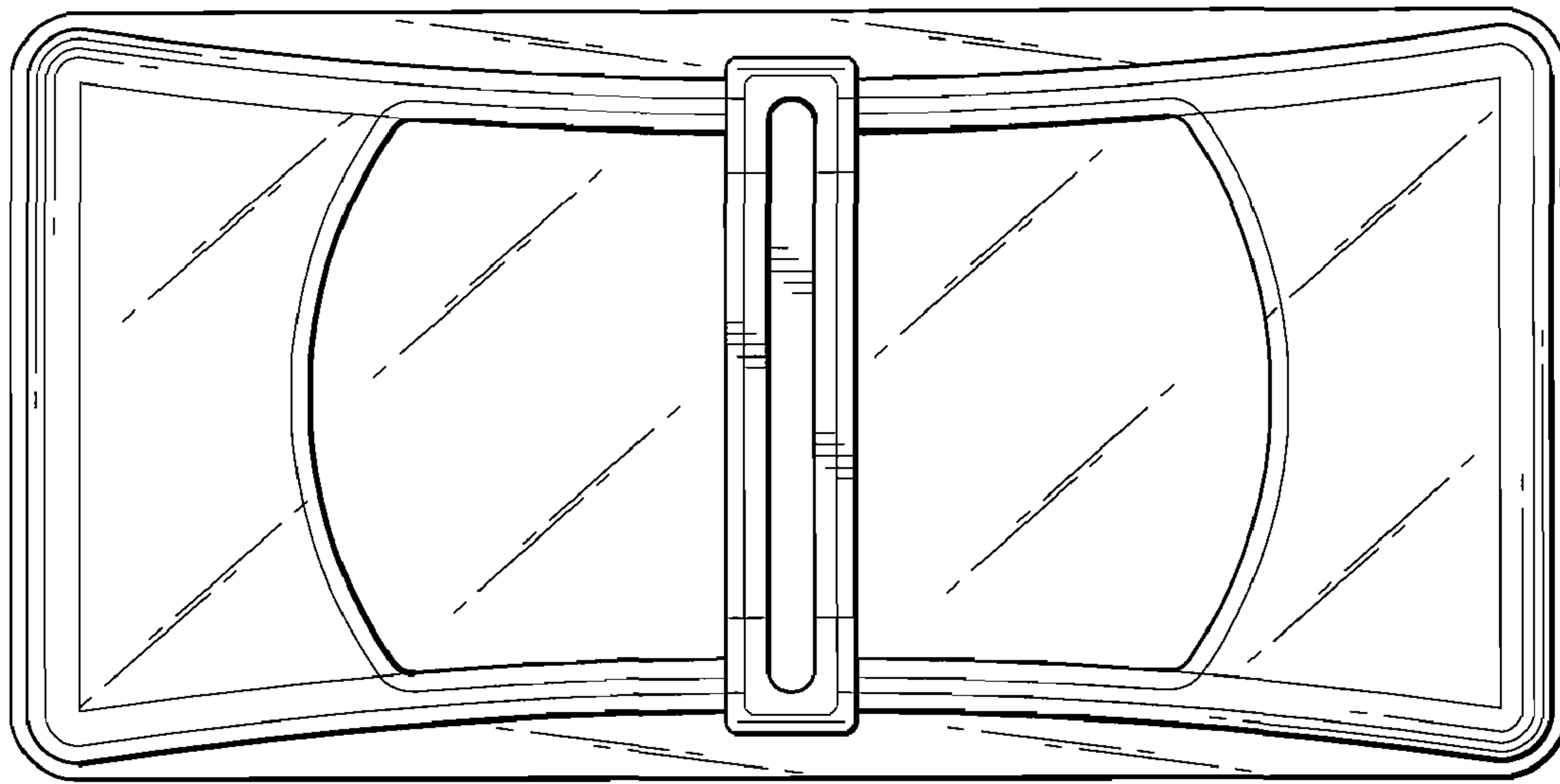


FIG. 6

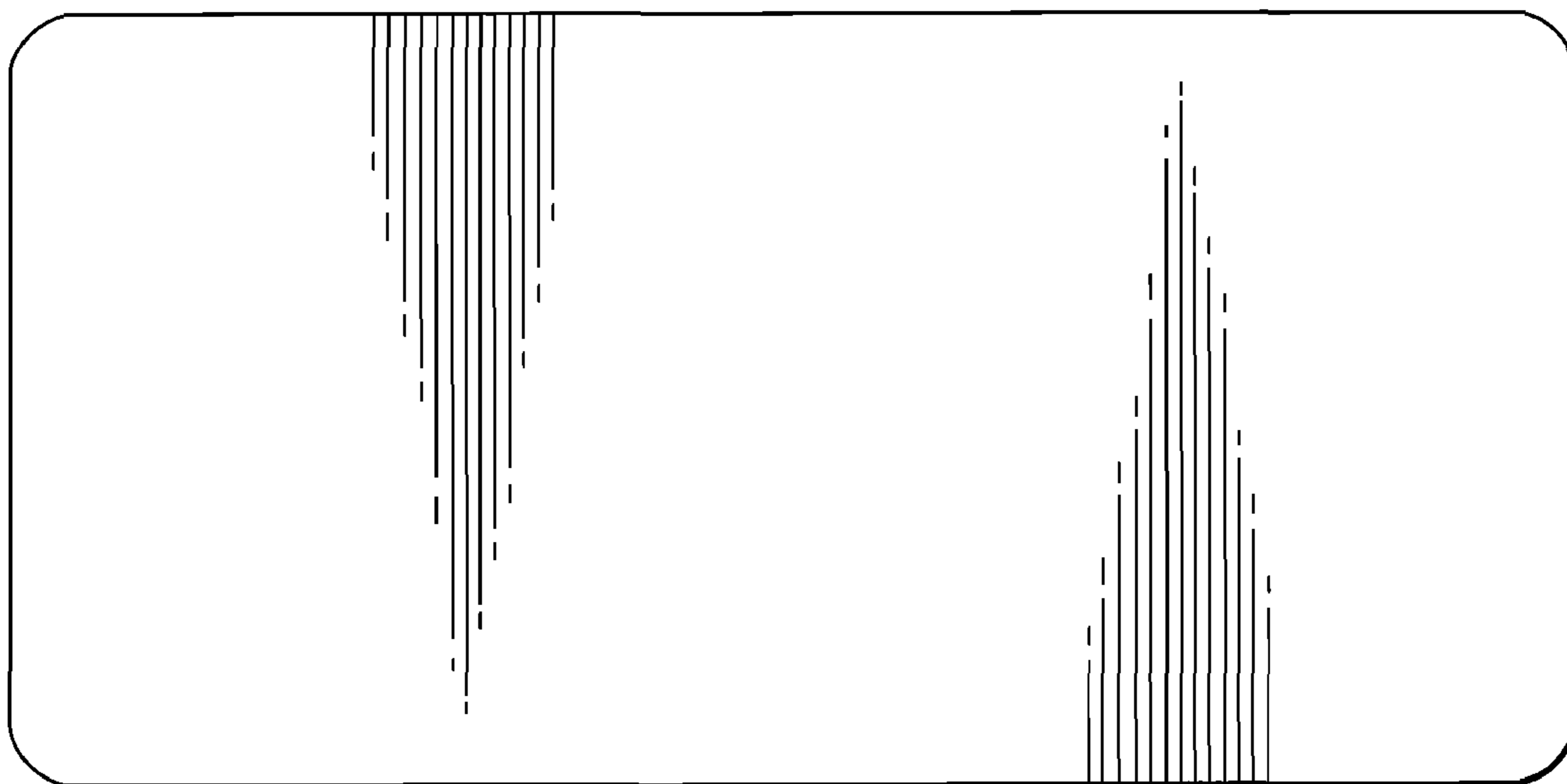


FIG. 7