



US00D604365S

(12) **United States Design Patent**
Mandar

(10) **Patent No.:** **US D604,365 S**

(45) **Date of Patent:** **** Nov. 17, 2009**

(54) **COMBINED TAPE AND NOTE DISPENSER**

D573,647 S * 7/2008 Chen et al. D19/69
D573,648 S * 7/2008 Chen et al. D19/69
D597,601 S * 8/2009 Huang D19/69

(76) Inventor: **Martine Mandar**, 54 rue Moxouris, Le
Chesnay (FR) 78150

(**) Term: **14 Years**

(21) Appl. No.: **29/338,421**

(22) Filed: **Jun. 11, 2009**

(51) **LOC (9) Cl.** **08-02**

(52) **U.S. Cl.** **D19/69**

(58) **Field of Classification Search** D19/36,
D19/70, 69, 68; D13/133, 146; 242/588.6,
242/588.3, 588.2; 225/77, 6, 56, 69, 26,
225/25, 19, 11; 206/411; 156/577, 527,
156/523

See application file for complete search history.

(56) **References Cited**

U.S. PATENT DOCUMENTS

D359,511 S * 6/1995 Nash et al. D19/69
D404,430 S * 1/1999 Shen D19/69
D486,521 S * 2/2004 Crawford et al. D19/69
D496,690 S * 9/2004 Crawford et al. D19/69
D506,224 S * 6/2005 Farce D19/69
D510,952 S * 10/2005 Piltz et al. D19/69
D541,866 S * 5/2007 Kent et al D19/69
D553,686 S * 10/2007 Chen et al. D19/69

* cited by examiner

Primary Examiner—Cathron C Brooks
Assistant Examiner—Austin Murphy
(74) *Attorney, Agent, or Firm*—Lando & Anastasi, LLP

(57) **CLAIM**

The ornamental design for a combined tape and note dispenser, as shown and described.

DESCRIPTION

FIG. 1 is a perspective view of the combined tape and note dispenser.

FIG. 2 is a right side elevational view, the left side elevational view being a mirror image thereof.

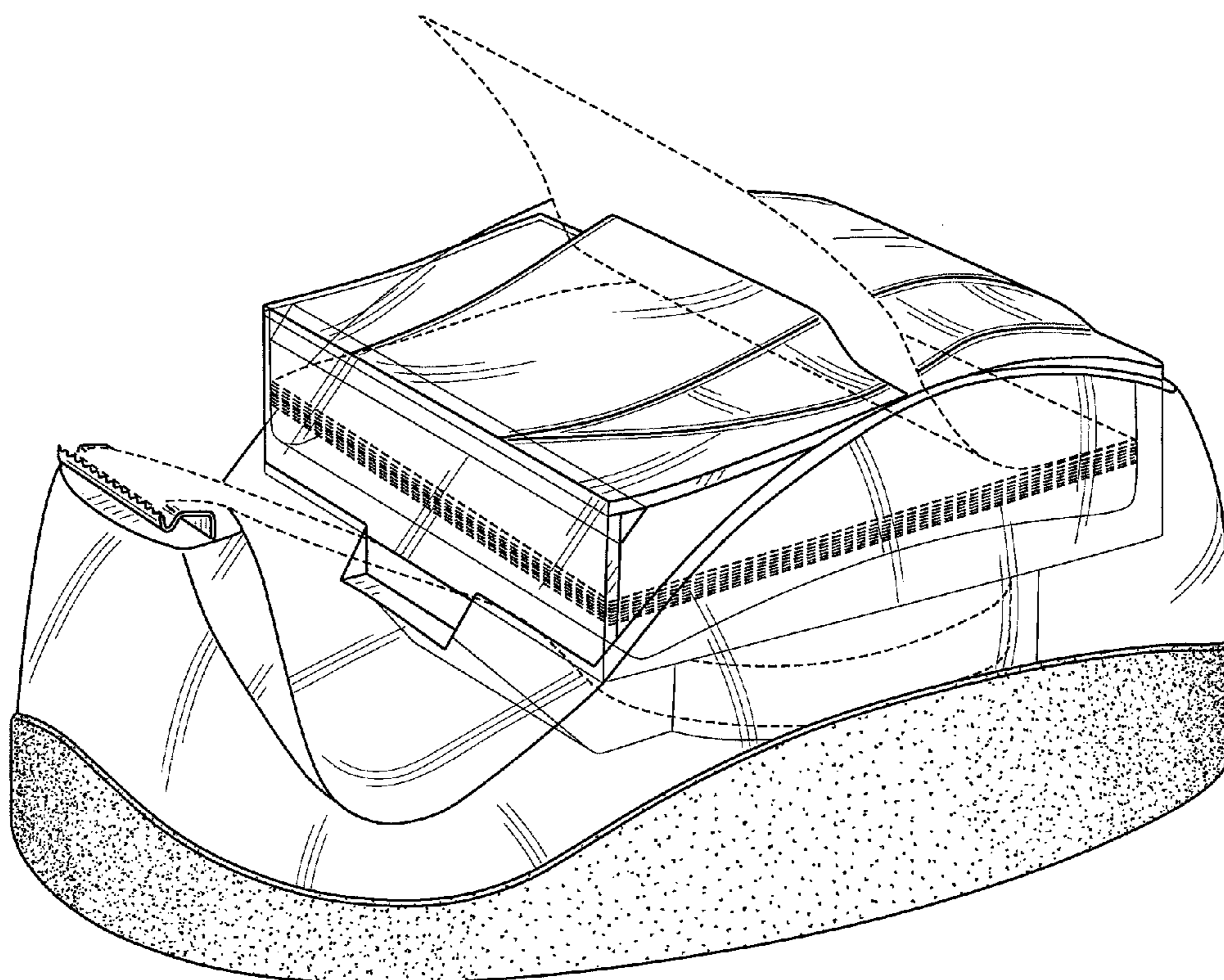
FIG. 3 is a top plan view.

FIG. 4 is a front elevational view; and,

FIG. 5 is a rear elevational view thereof.

The broken line showings of the roll of tape and the pad of note paper are for illustrative purposes only and form no part of the invention.

1 Claim, 3 Drawing Sheets



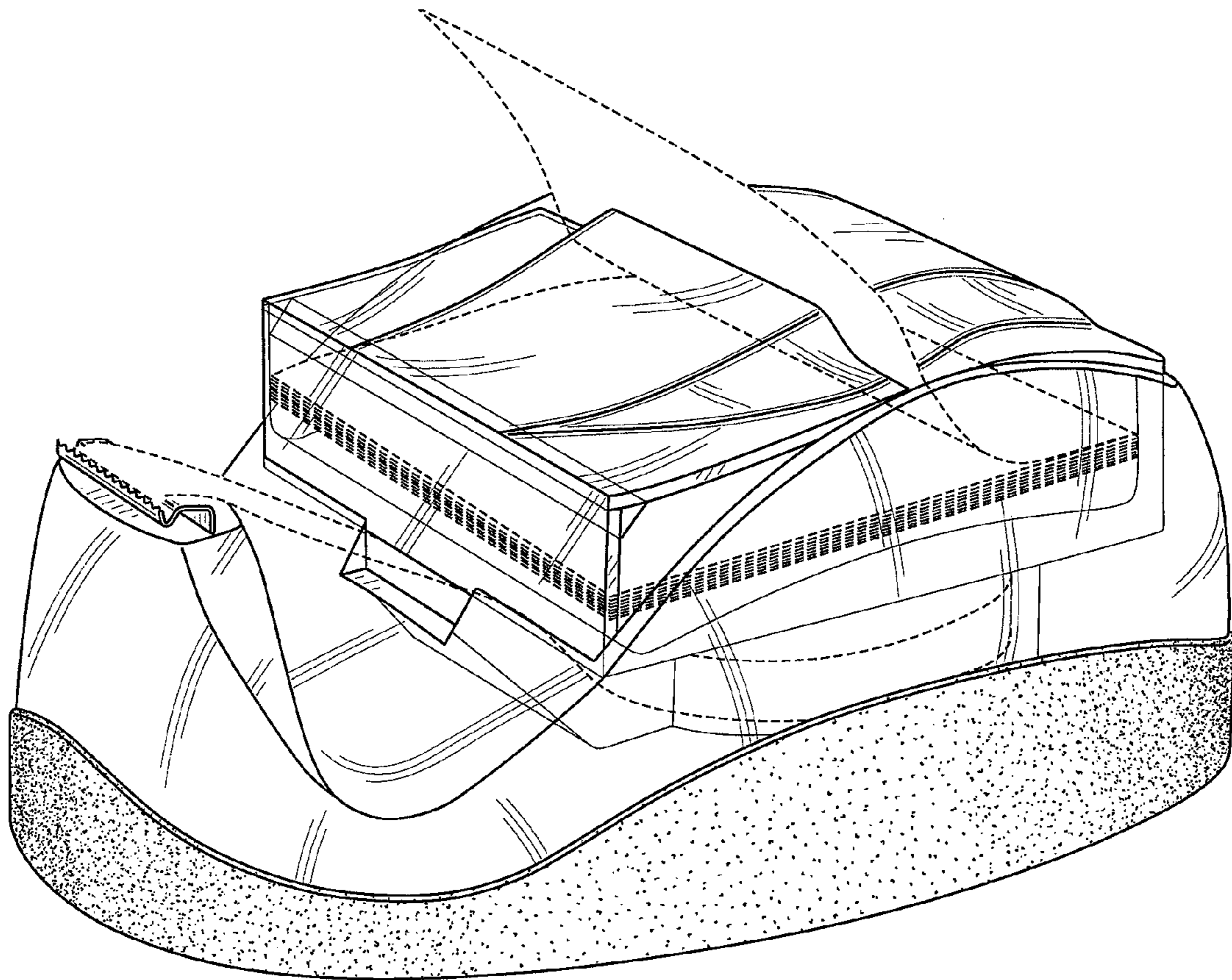


FIG. 1

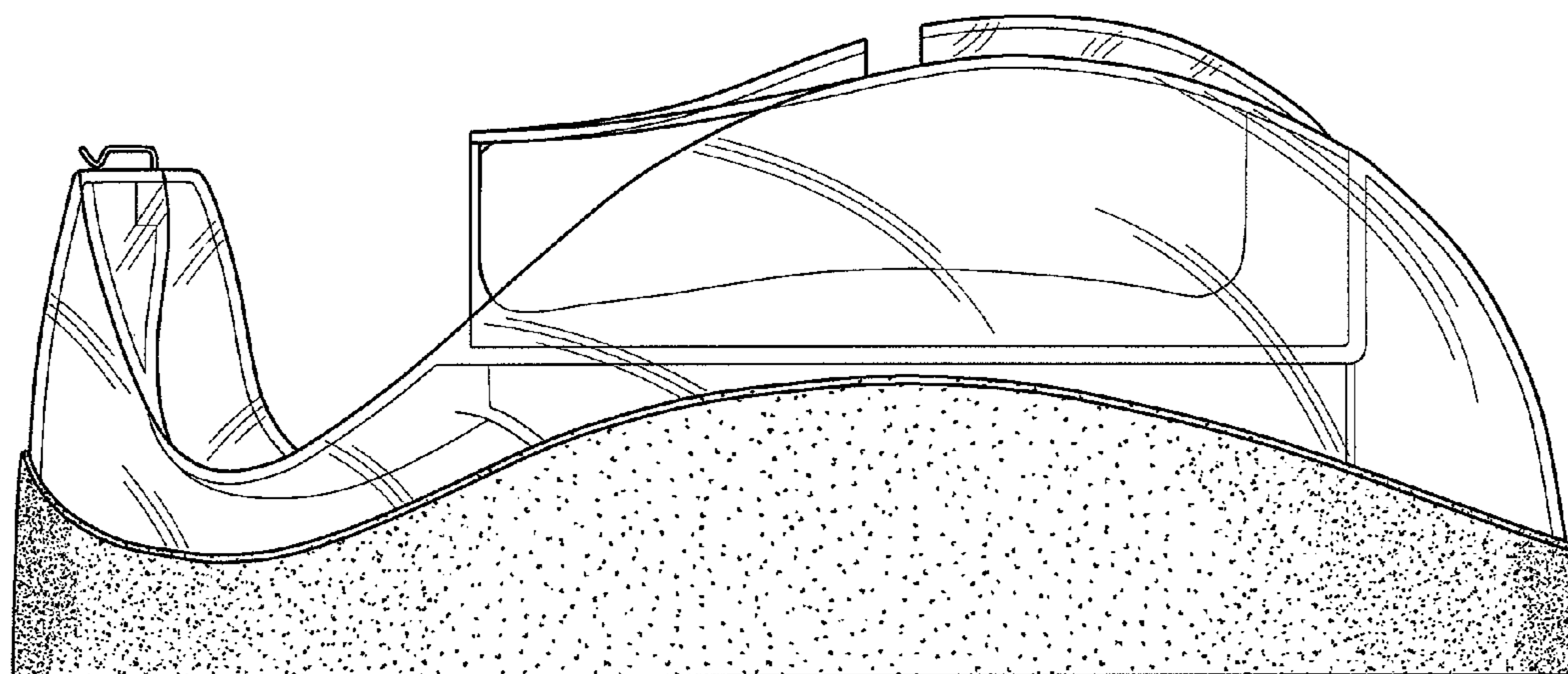


FIG. 2

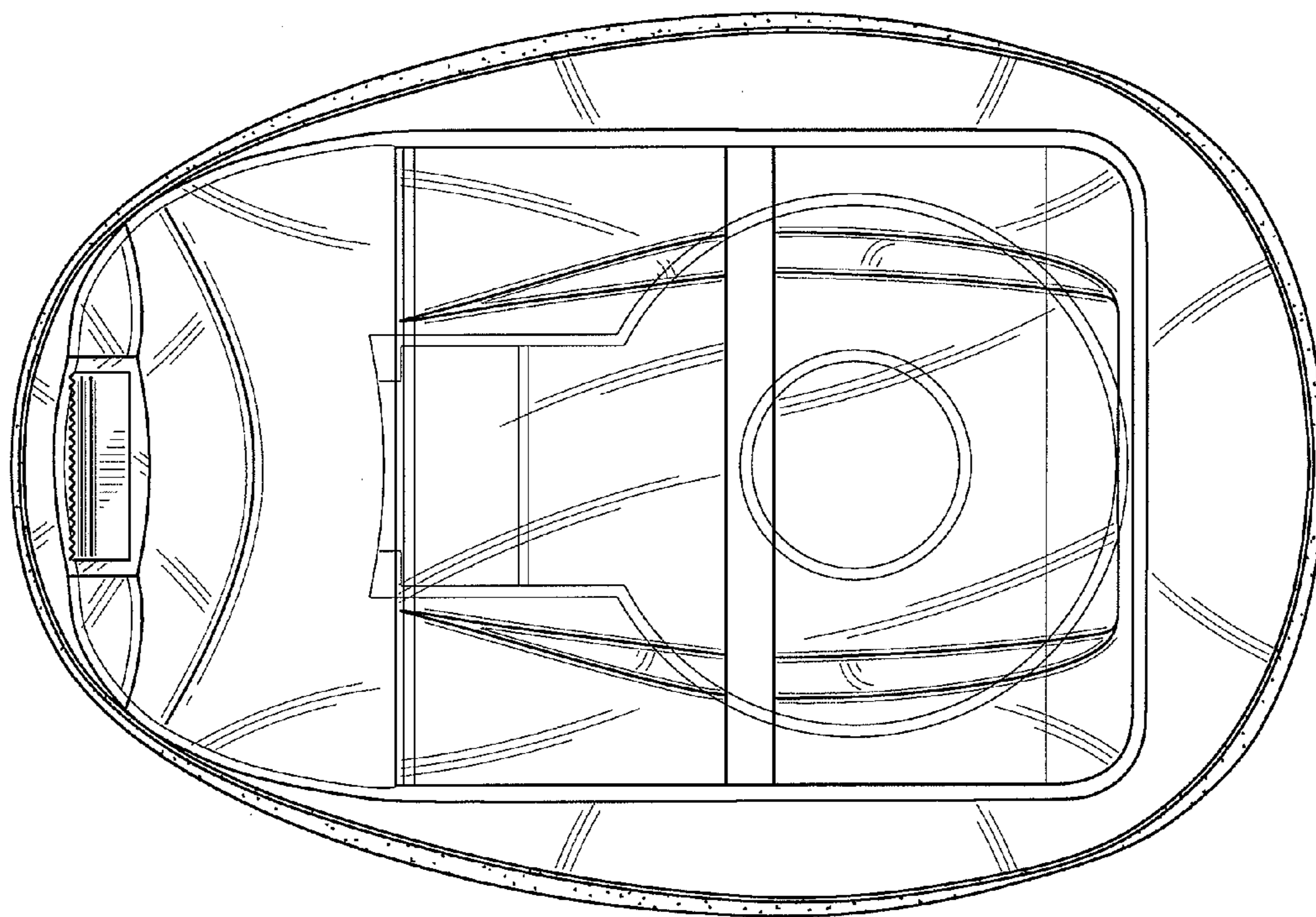


FIG. 3

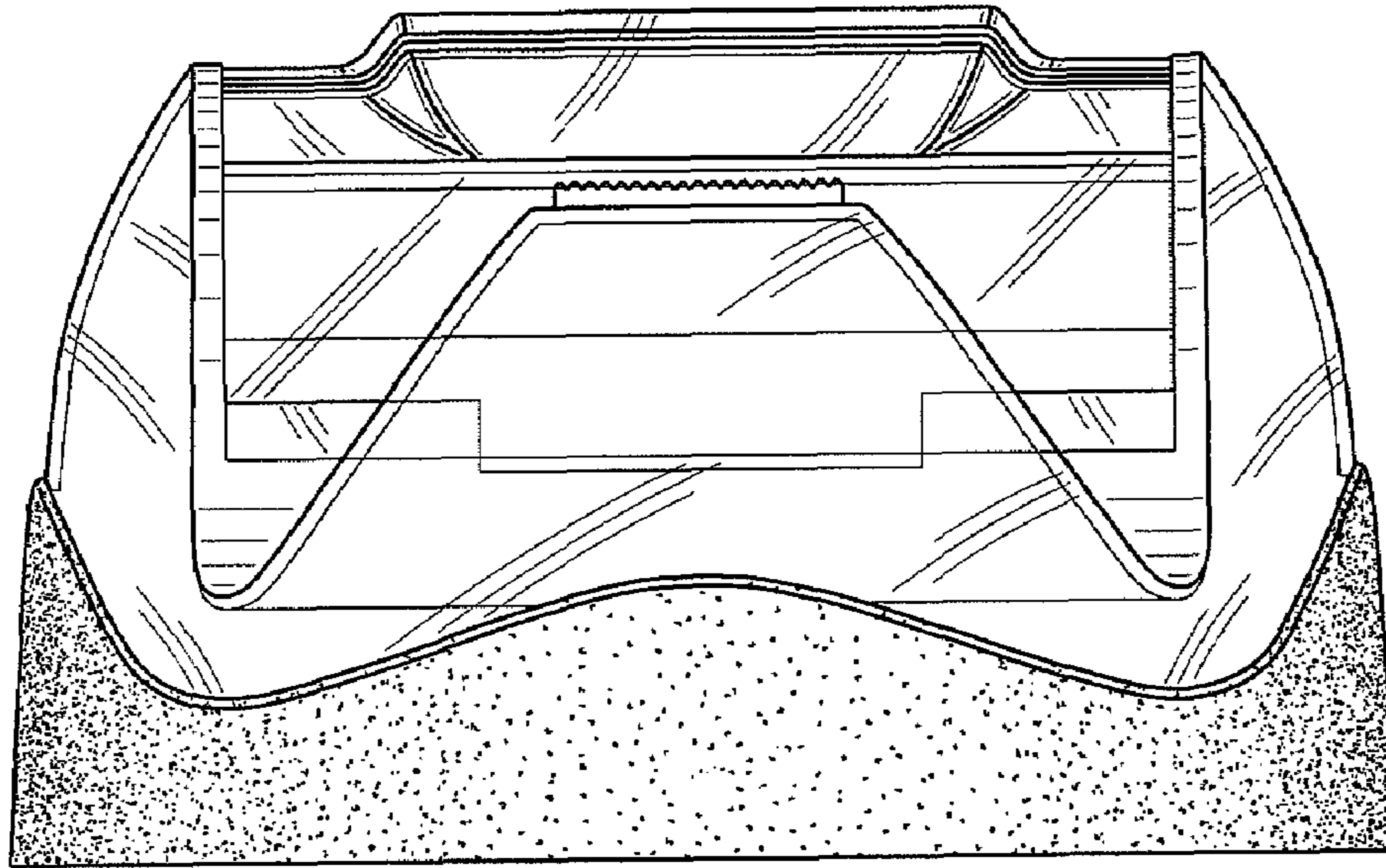


FIG. 4

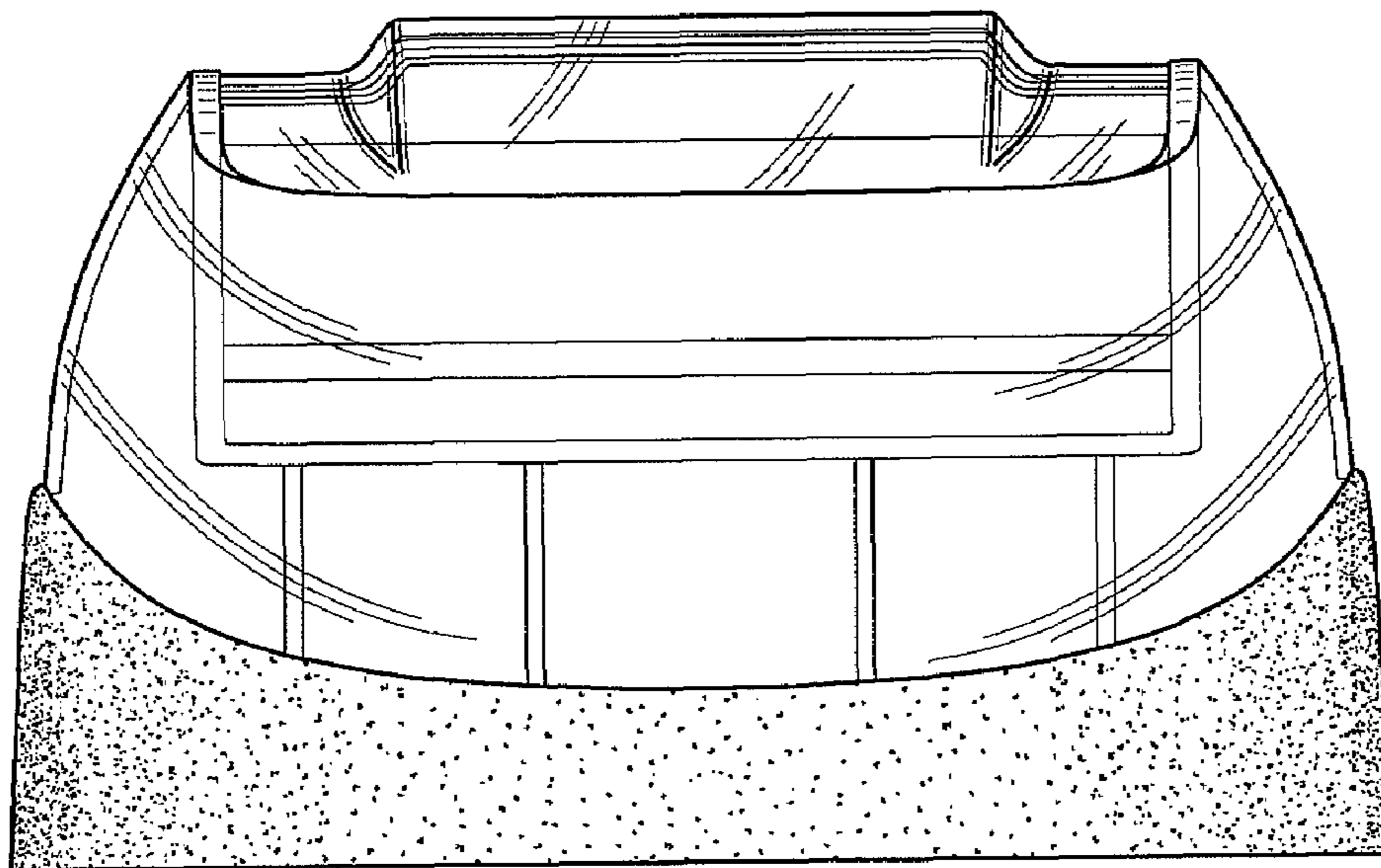


FIG. 5