



US00D604363S

(12) **United States Design Patent**
Sunich et al.

(10) **Patent No.:** **US D604,363 S**
(45) **Date of Patent:** **** Nov. 17, 2009**

(54) **MARKER REFILL**

(75) Inventors: **James M. Sunich**, Elk Grove, IL (US);
Andrew M. Bielecki, Evanston, IL (US);
Matthew J. Gerules, Chicago, IL (US)

(73) Assignee: **Sanford, L.P.**, Oak Brook, IL (US)

(**) Term: **14 Years**

(21) Appl. No.: **29/317,894**

(22) Filed: **May 8, 2008**

(51) **LOC (9) Cl.** **19-06**

(52) **U.S. Cl.** **D19/54**

(58) **Field of Classification Search** D19/35,
D19/36, 41-51, 53-57; 24/11 F, 11 P, 11 R;
401/52, 99, 100, 104-109, 192, 195, 196

See application file for complete search history.

(56) **References Cited**

U.S. PATENT DOCUMENTS

673,469 A 5/1901 Dickinson 401/82
(Continued)

FOREIGN PATENT DOCUMENTS

DE DM/047050 * 2/1999
(Continued)

OTHER PUBLICATIONS

“The Giftware World Monthly,” Mar. 1995, pp. 16 and 21, Distribution News World, 3/E,-1 No. 31, Pao Chin Street, Sung Shan Dist., Taipei, Taiwan.

(Continued)

Primary Examiner—Elizabeth A Albert

(74) *Attorney, Agent, or Firm*—Marshall, Gerstein & Borun LLP

(57) **CLAIM**

The ornamental design for a marker refill, as shown and described.

DESCRIPTION

FIG. 1 is a bottom perspective view showing our new design for a marker refill;

FIG. 2 is a top perspective view of the marker refill of FIG. 1;

FIG. 3 is a front elevational view of the marker refill of FIG. 1,

FIG. 4 is a left side elevational view of the marker refill of FIG. 1;

FIG. 5 is a rear elevational view of the marker refill of FIG. 1;

FIG. 6 is a right side elevational view of the marker refill of FIG. 1;

FIG. 7 is a top plan view of the marker refill of FIG. 1.

FIG. 8 is a bottom plan view of the marker refill of FIG. 1;

FIG. 9 is a bottom perspective view showing the marker refill of FIG. 1 with the cap removed;

FIG. 10 is a top perspective view of the marker refill of FIG. 9;

FIG. 11 is a front elevational view of the marker refill of FIG. 9,

FIG. 12 is a left side elevational view of the marker refill of FIG. 9;

FIG. 13 is a rear elevational view of the marker refill of FIG. 9;

FIG. 14 is a right side elevational view of the marker refill of FIG. 9;

FIG. 15 is a top plan view of the marker refill of FIG. 9, shown without the cap for convenience;

FIG. 16 is a bottom plan view of the marker refill of FIG. 9;

FIG. 17 is a bottom perspective view showing a second embodiment for our new design for a marker refill;

FIG. 18 is a top perspective view of the marker refill of FIG. 17;

FIG. 19 is a front elevational view of the marker refill of FIG. 17,

FIG. 20 is a left side elevational view of the marker refill of FIG. 17;

FIG. 21 is a rear elevational view of the marker refill of FIG. 17;

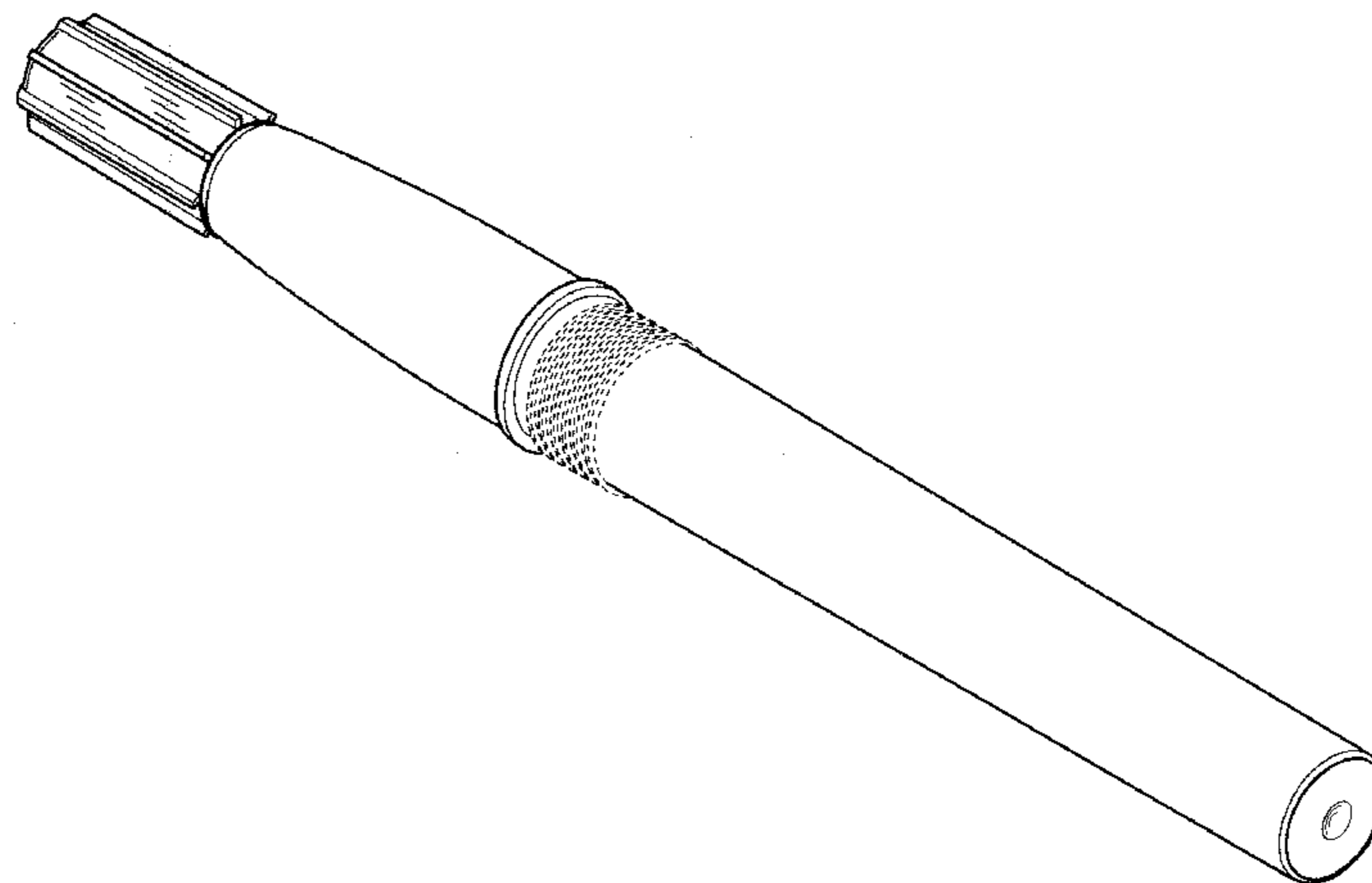
FIG. 22 is a right side elevational view of the marker refill of FIG. 17;

FIG. 23 is a top plan view of the marker refill of FIG. 17; and,

FIG. 24 is a bottom plan view of the marker refill of FIG. 17.

The dashed lines shown in the drawings are for environmental purposes only and form no part of the claimed design.

1 Claim, 21 Drawing Sheets



U.S. PATENT DOCUMENTS

2,108,441	A	2/1938	Maucher	401/71
3,341,884	A *	9/1967	Pryor	401/17
D251,123	S *	2/1979	Horntrich	D19/49
D283,140	S	3/1986	Petrillo	D19/49
D286,546	S *	11/1986	Funahashi	D19/43
4,828,419	A *	5/1989	Porter et al.	401/126
D306,494	S *	3/1990	Bajusz	D28/7
D318,538	S *	7/1991	Shinohara	D28/7
D328,311	S	7/1992	Nitta	D19/49
D329,823	S	9/1992	Francisco	D10/104
D352,703	S	11/1994	Mitcham et al.	D14/114
D359,307	S	6/1995	Anavil et al.	D19/50
D389,188	S *	1/1998	Conforti et al.	D19/57
D393,485	S *	4/1998	Bussiere et al.	D19/51
5,851,079	A *	12/1998	Horstman et al.	401/174
D408,592	S *	4/1999	Litton	D28/76
6,048,121	A	4/2000	Carver	401/52
D427,239	S	6/2000	Senda	D19/43
D433,704	S	11/2000	Kouda	D19/49
6,688,792	B1 *	2/2004	Reichmann et al.	401/34
D497,181	S	10/2004	Yoo et al.	D19/43
D553,683	S	10/2007	Gerules et al.	D19/54
D559,314	S *	1/2008	Qiu et al.	D19/48
D566,766	S *	4/2008	Silverstein	D19/57
2006/0045606	A1	3/2006	Goldberg	401/131

FOREIGN PATENT DOCUMENTS

DE	EM001018030-0001	*	10/2008
JP	D1245988		7/2005
TW	00359490		5/1999

OTHER PUBLICATIONS

Super Sharpie markers. Retrieved from the Internet: <URL: <http://www.officeworld.com/Worlds-Biggest-Selection/SAN33003/08Q3/>>. Publicly available before May 8, 2008.

Sharpie Fine Pt. markers. Retrieved from the Internet: <URL: http://www.sharpie.com/enUS/Product/Personalized_Sharpie_Permanent_Marker.html>. Publicly available before May 8, 2008.

Sharpie Grip markers. Retrieved from the Internet: <URL: <http://www.officebella.com/devStoreProductDetails.asp?idProduct=54635>>. Publicly available before May 8, 2008.

Sharpie Accent marker. Retrieved from the Internet: <URL: <http://www.officeworld.com/Worlds-Biggest-Selection/26257/08Q3/>>. Publicly available before May 8, 2008.

Mont Blanc Fineliner refills. Retrieved from the Internet: <URL: https://refills.montblanc.com/a3.php?PHPSESSID=main_category=2&levelOne=4&levelTwo=11>. Publicly available before May 8, 2008.

Mont Blanc Document marker refills. Retrieved from the Internet: <URL: https://refills.montblanc.com/a3.php?PHPSESSID=main_category=2&levelOne=6&levelTwo=14>. Publicly available before May 8, 2008.

Parker Roller Ball refills. Retrieved from the Internet. <URL: <http://www.eurooffice.co.uk/I/y4g/Parker-Ball-Pen-Refills-Fine-Blue-Pack-12>>. Publicly available before May 8, 2008.

Stadtler Lumocolor markers. Retrieved from the Internet. <URL: <http://www.twenga.co.uk/offer/0157292683.html>>. Publicly available before May 8, 2008.

Mop markers. Retrieved from the Internet. <URL: <http://www.graffwars.com/shop/junobo.php>>. Publicly available before May 8, 2008.

Koh-I-Noor Hp Style Fiber Tip Plotter pen. Retrieved from the Internet: <URL: <http://www.artcity.com/koh-6401Oaf.html>>. Publicly available before May 8, 2008.

HP Rapidoplot Plotter pen. Retrieved from the Internet. <URL: <http://www.completeline.com/pdf/3penplottersa.pdf>>. Publicly available before May 8, 2008.

* cited by examiner

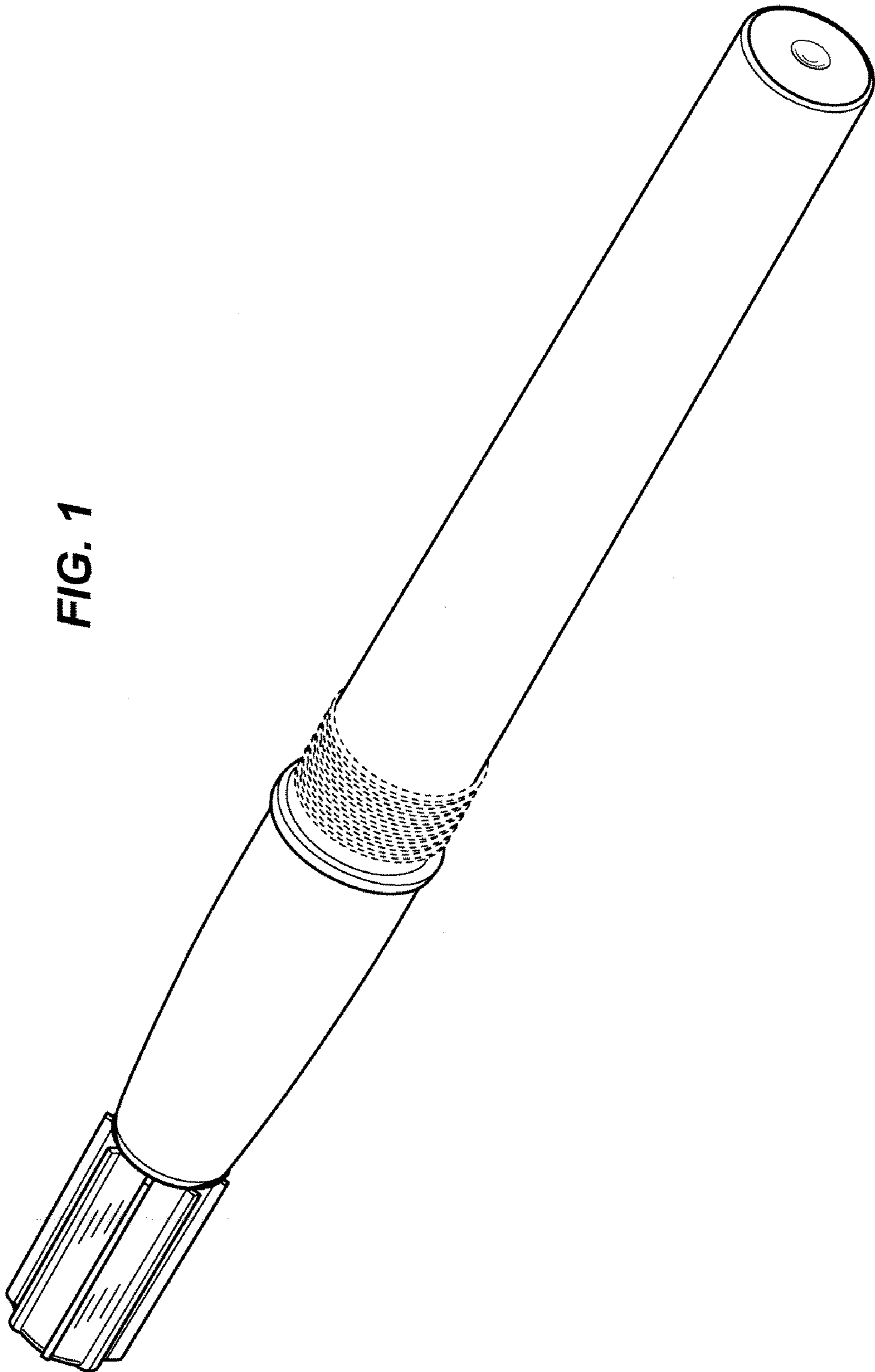


FIG. 1

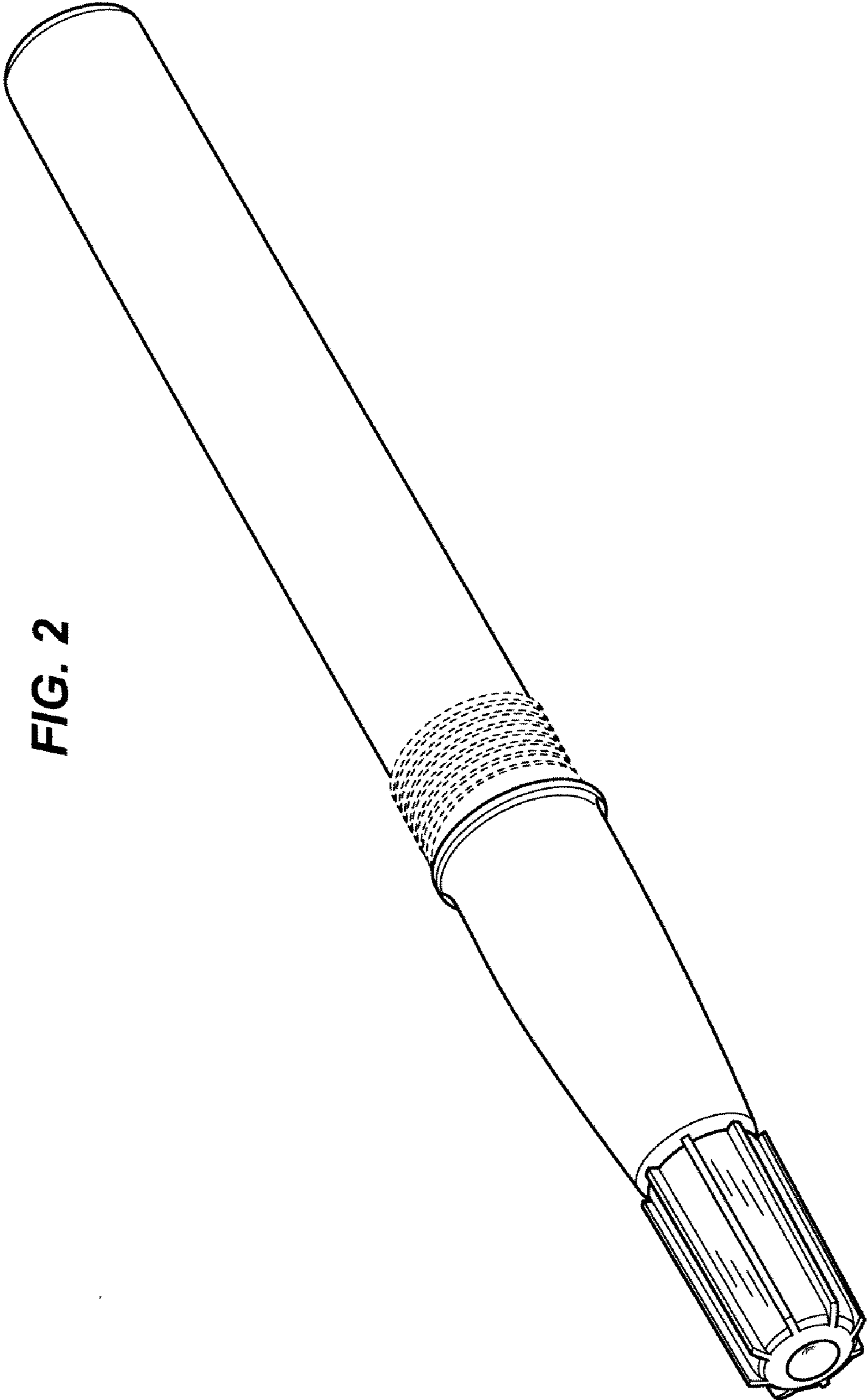


FIG. 2

FIG. 3

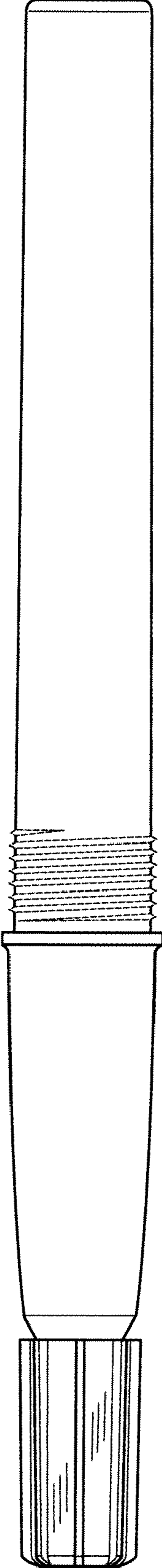


FIG. 4

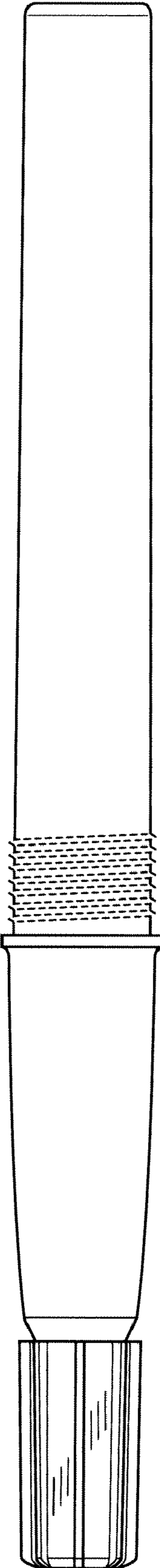


FIG. 5

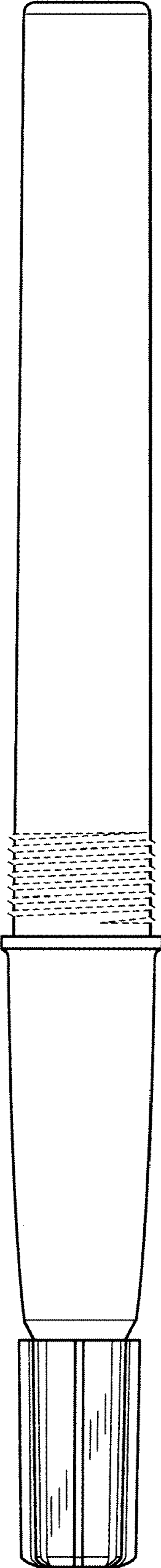


FIG. 6

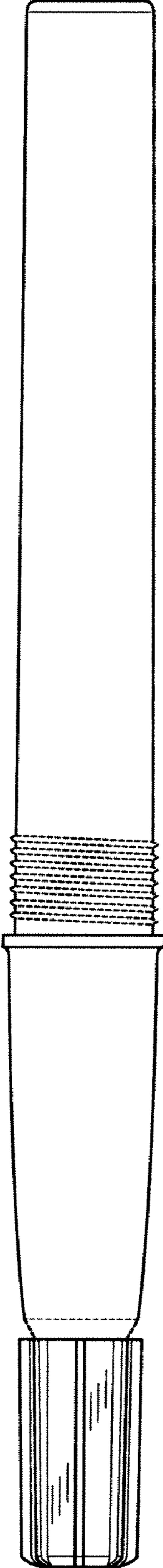


FIG. 7

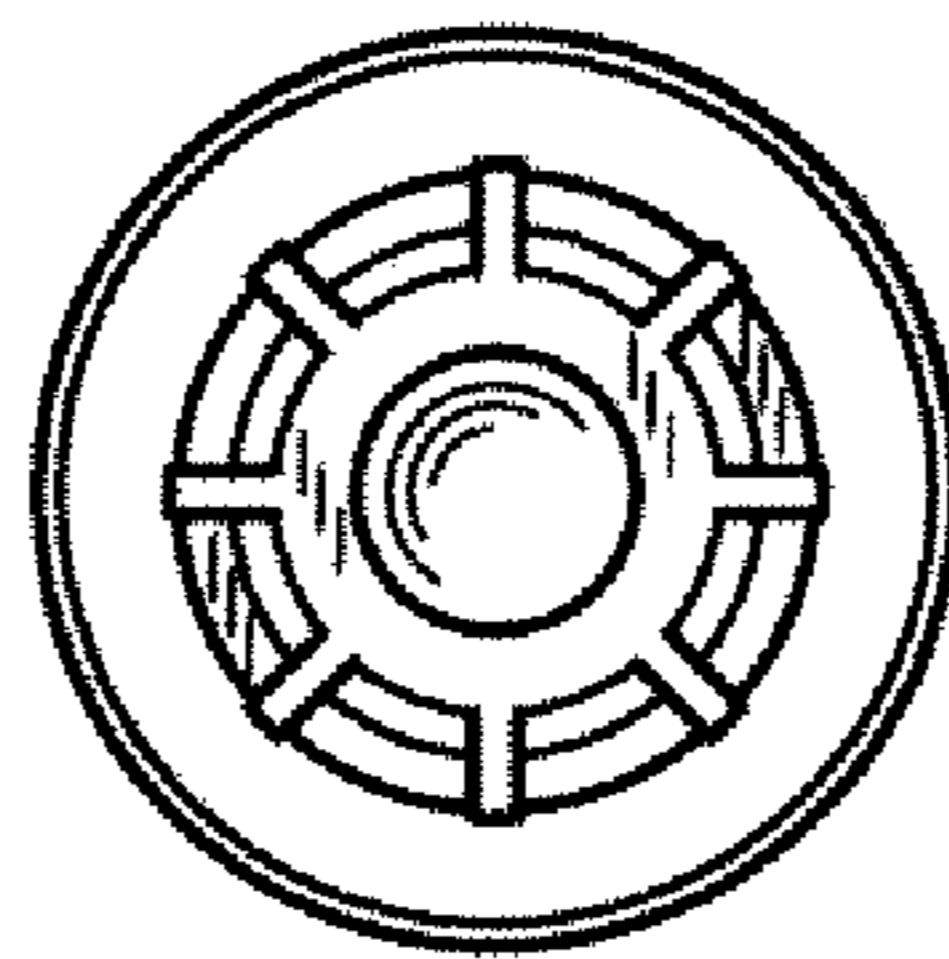


FIG. 8

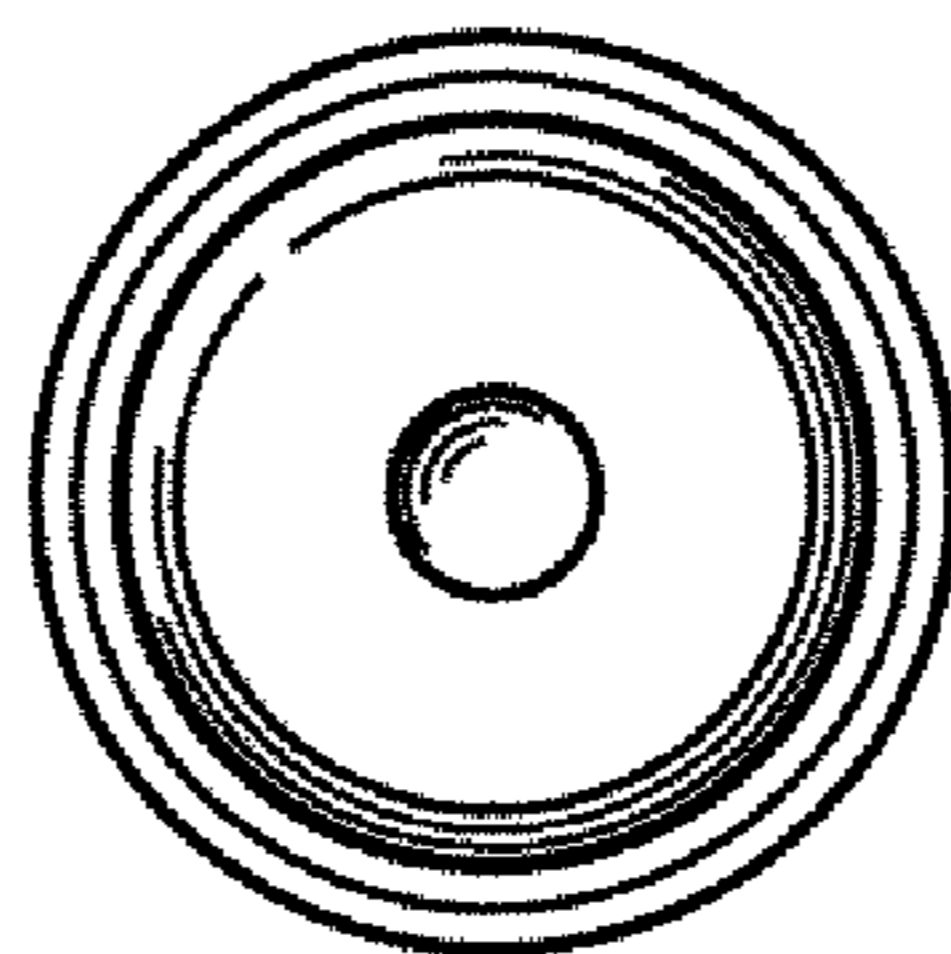
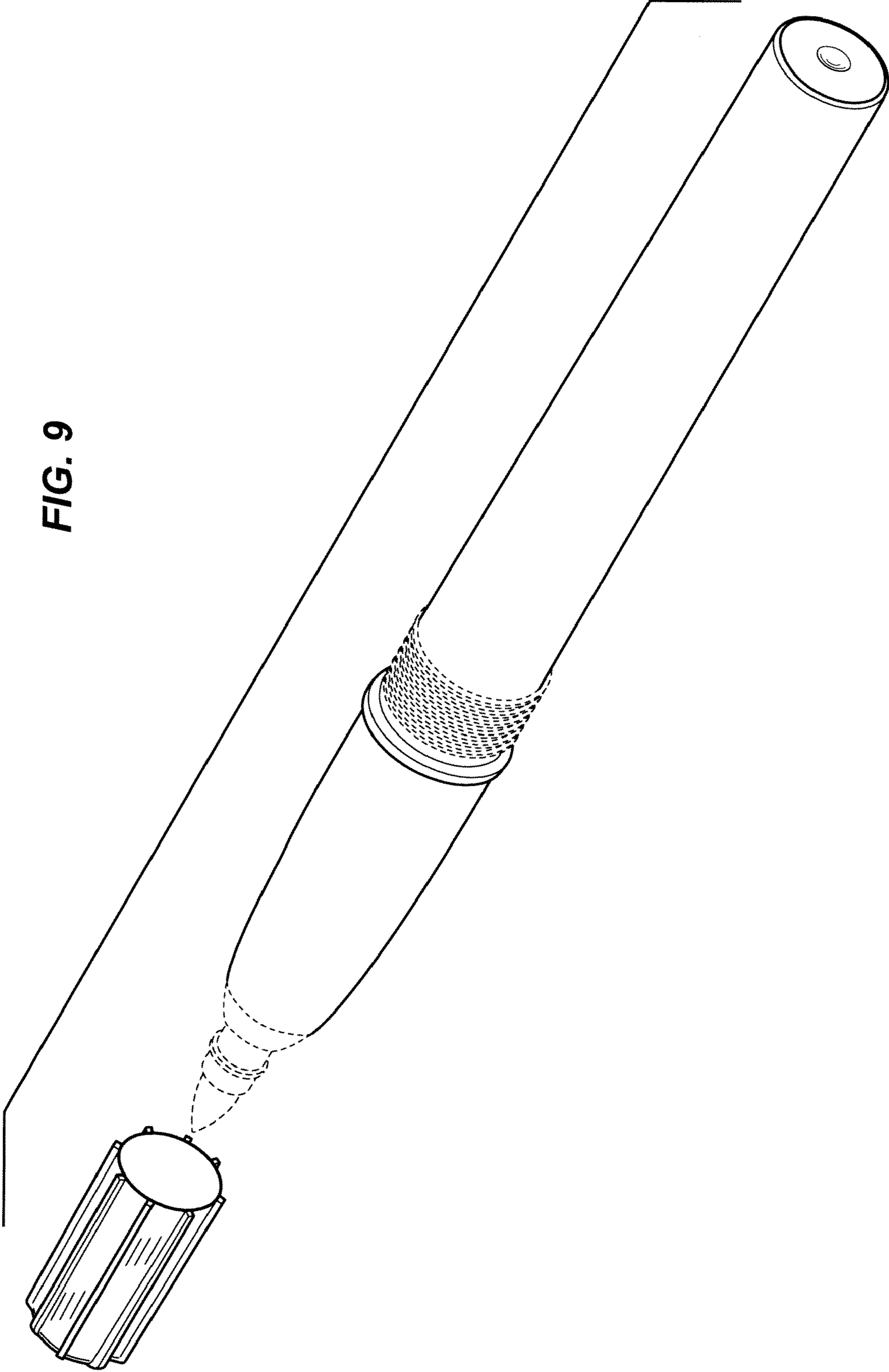


FIG. 9



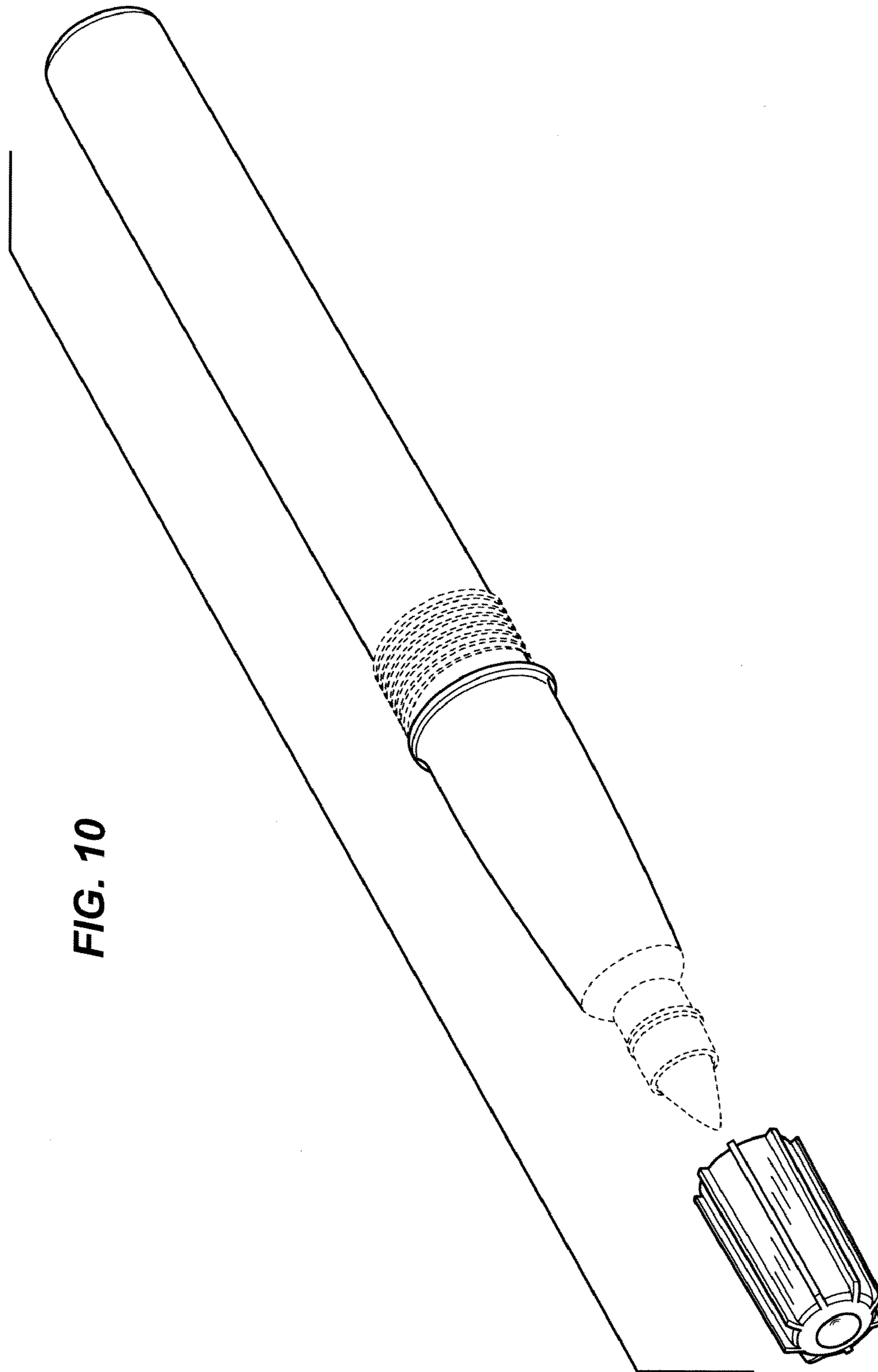


FIG. 10

FIG. 11

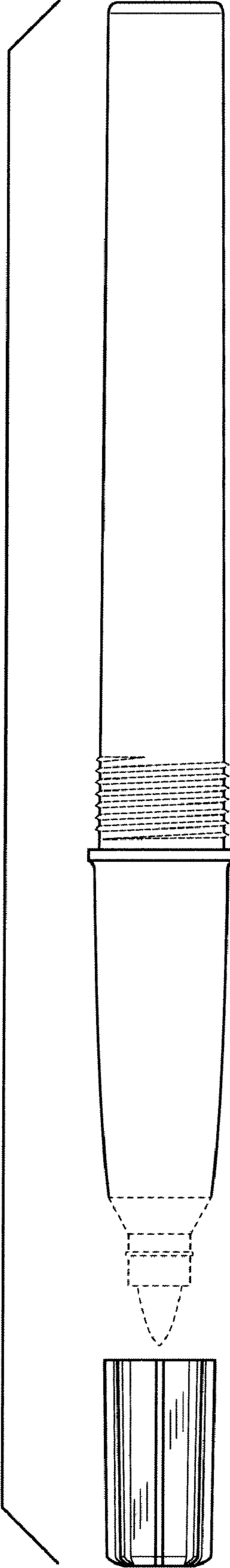


FIG. 12

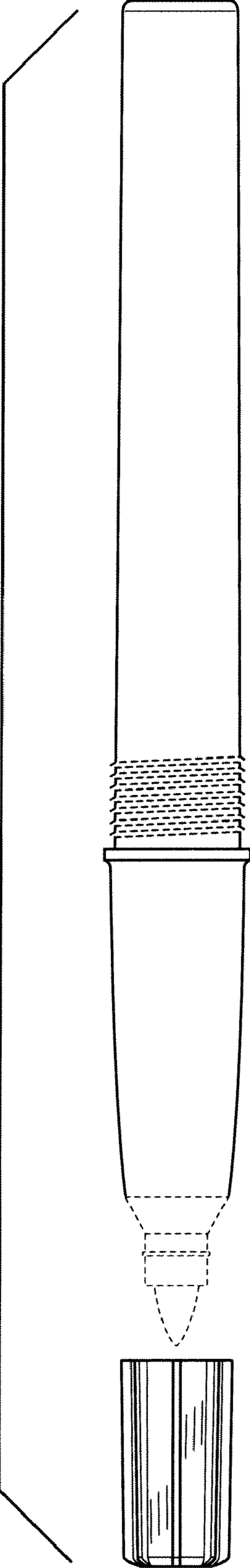


FIG. 13

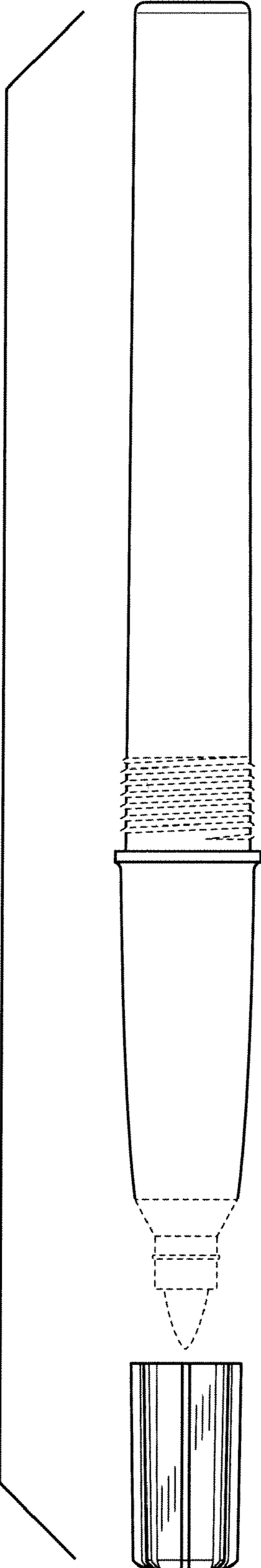


FIG. 14

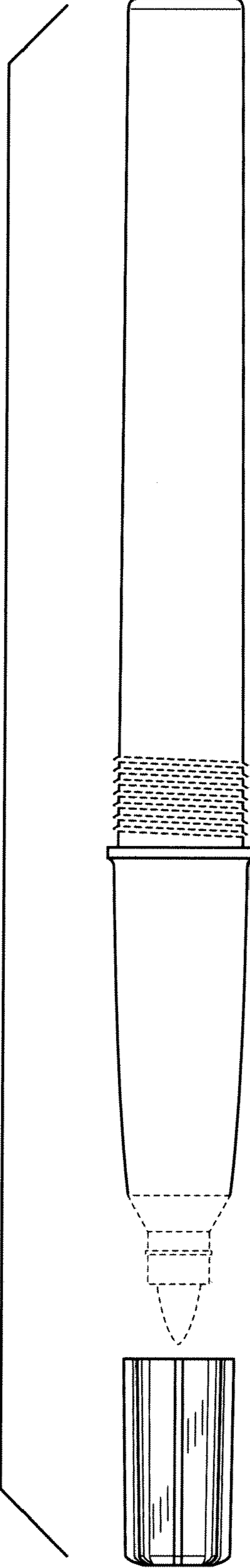


FIG. 15

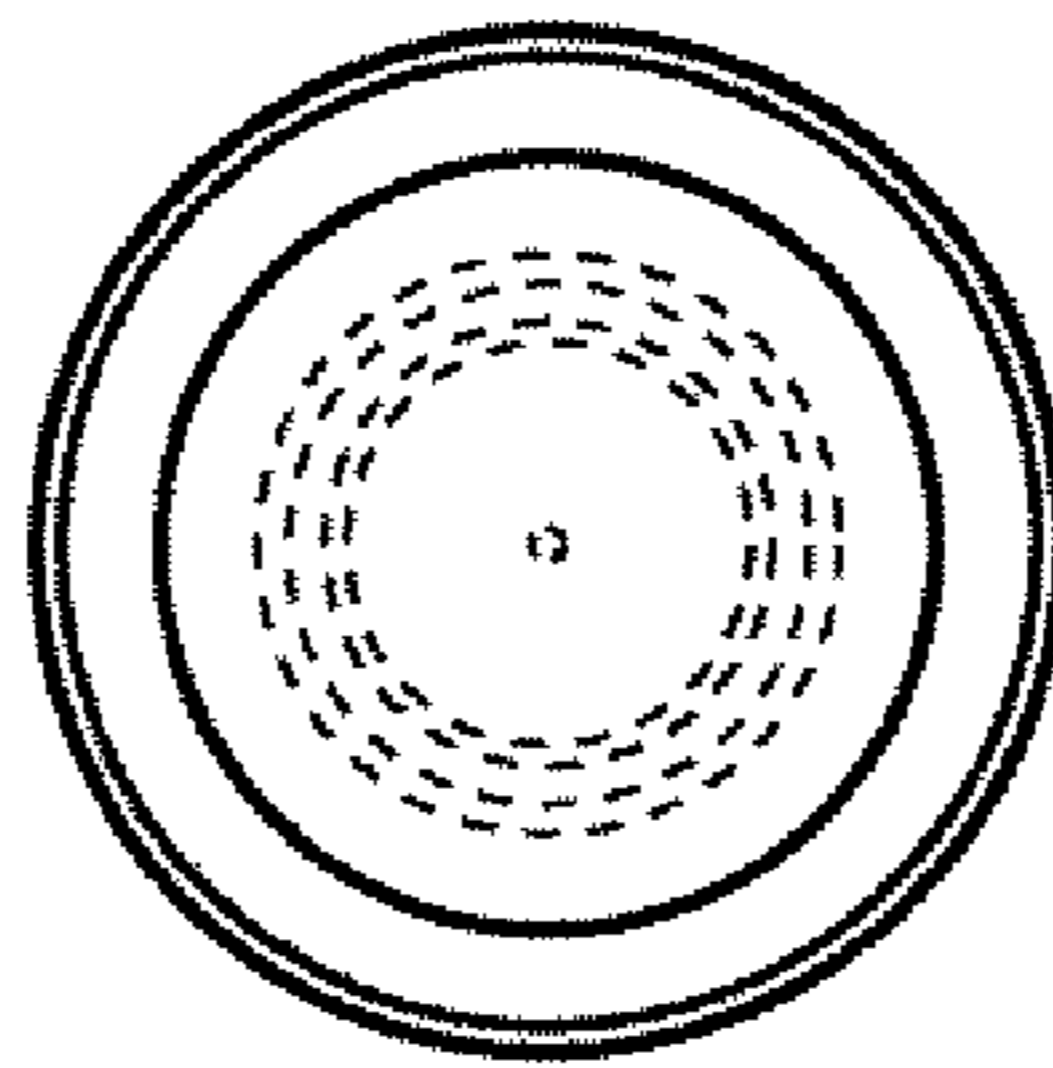


FIG. 16

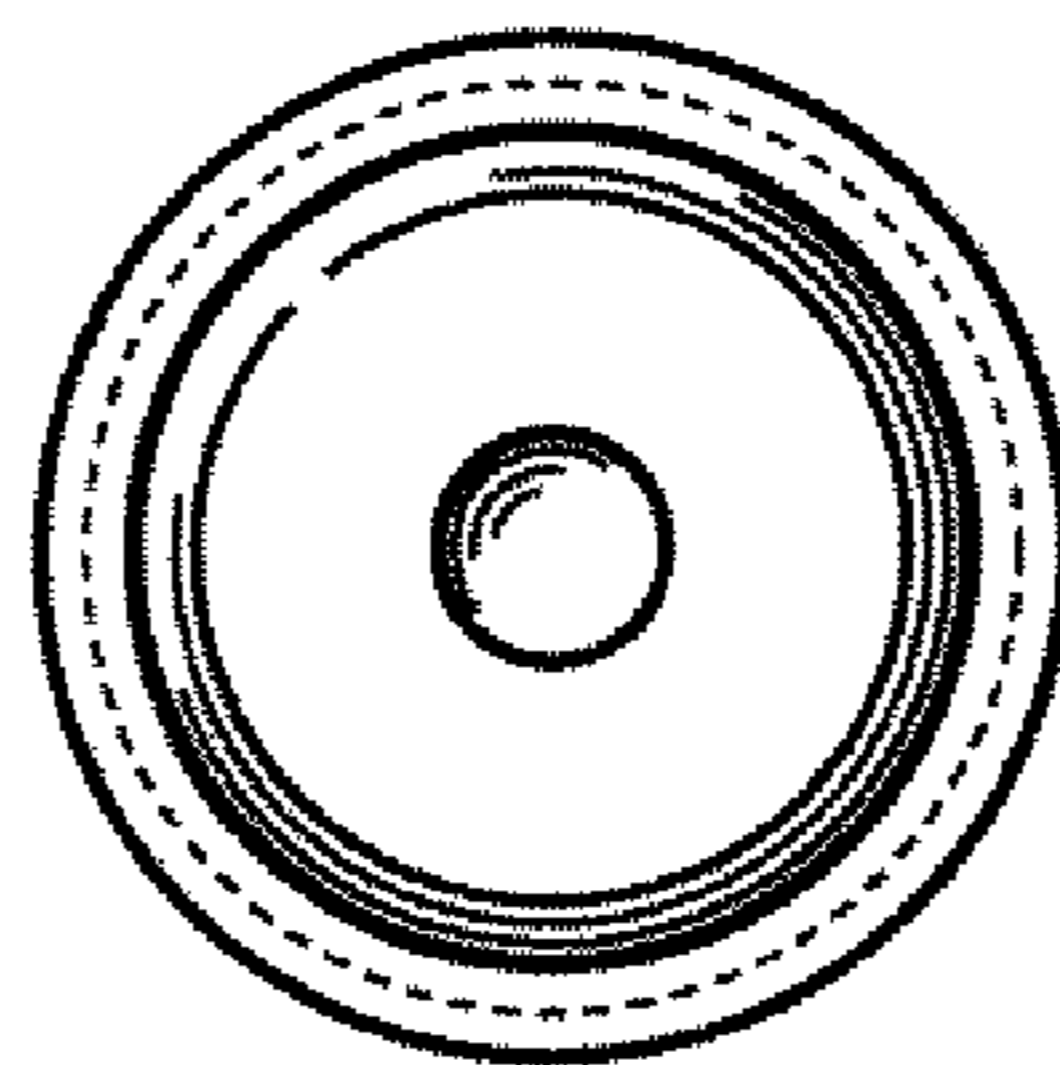


FIG. 17

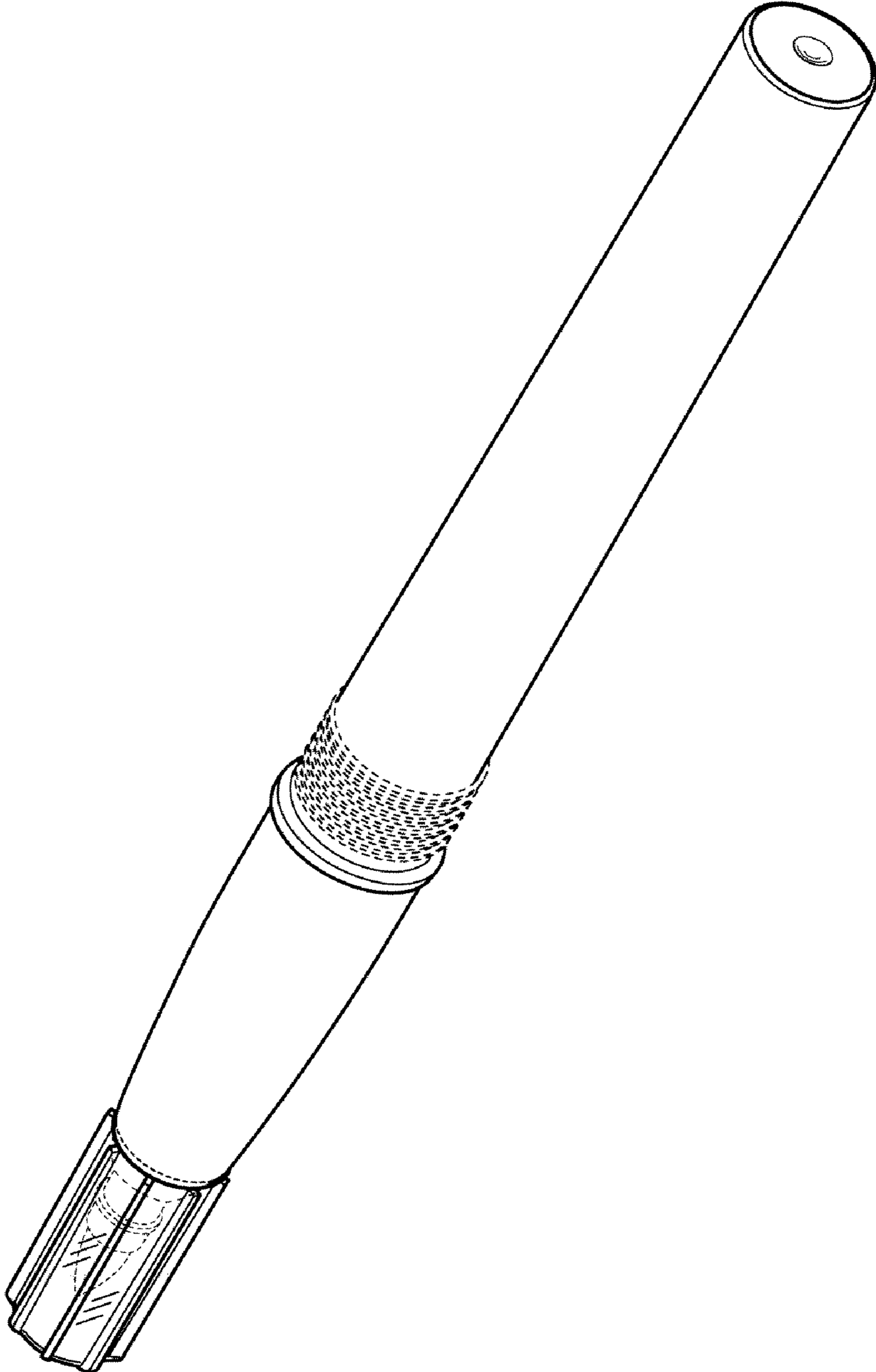


FIG. 18

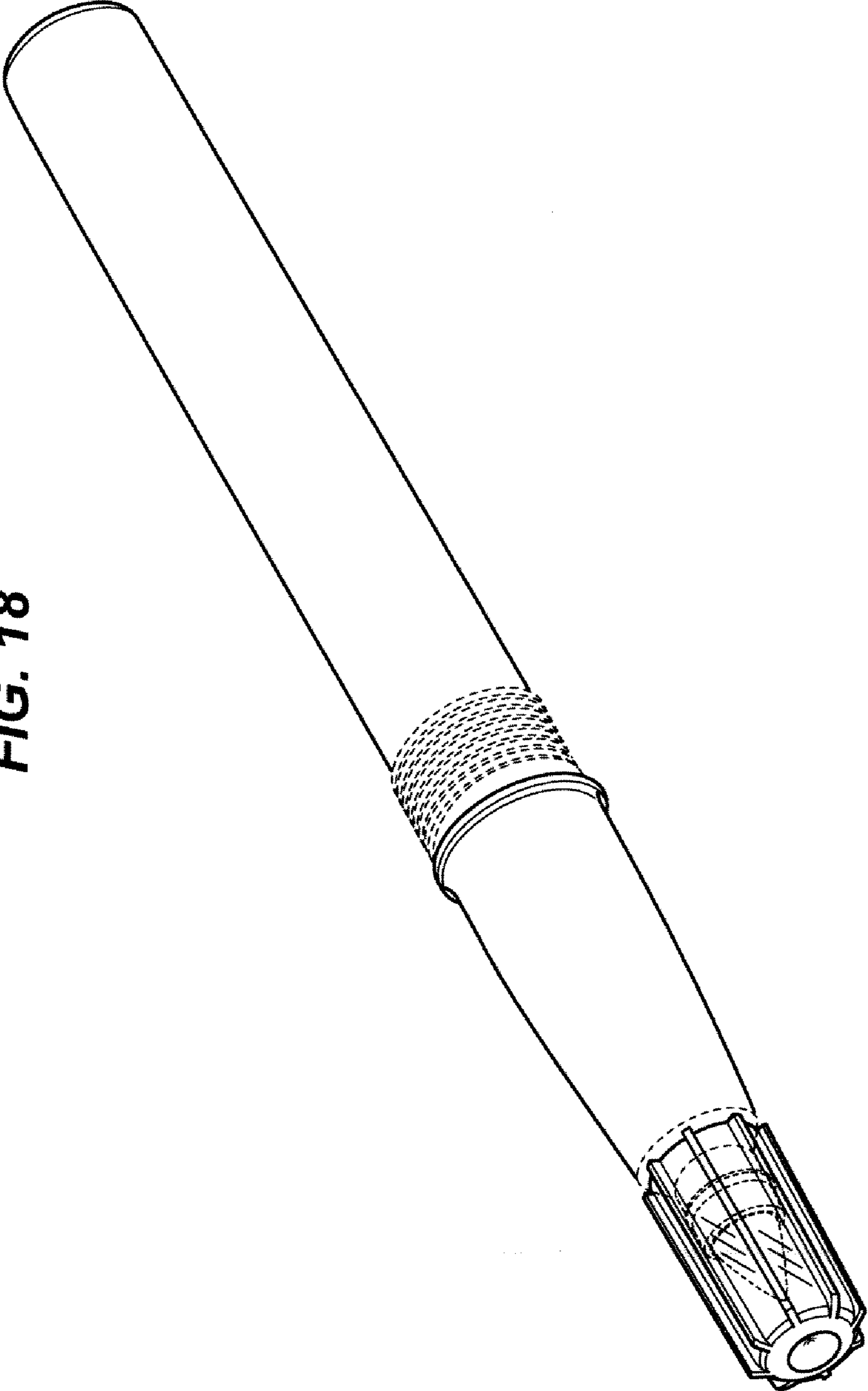


FIG. 19

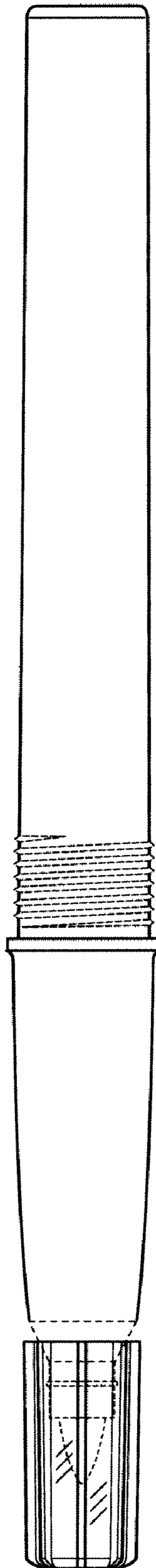


FIG. 20

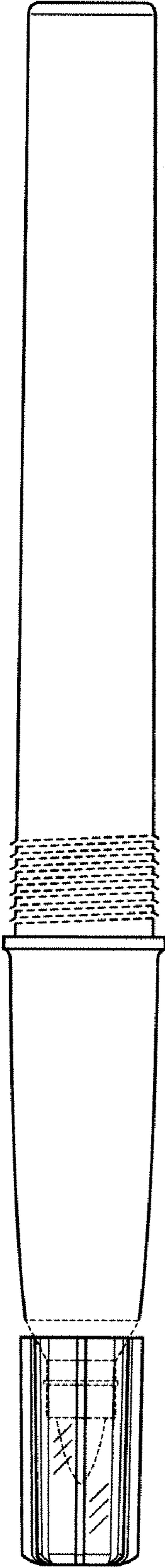


FIG. 21

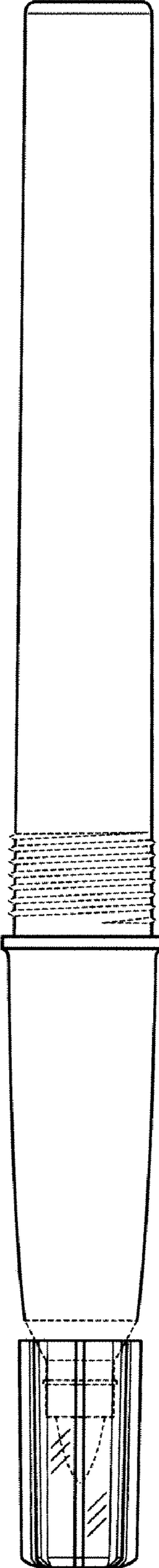


FIG. 22

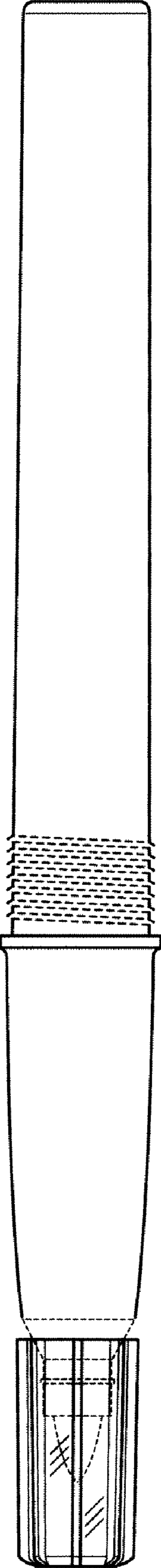


FIG. 23

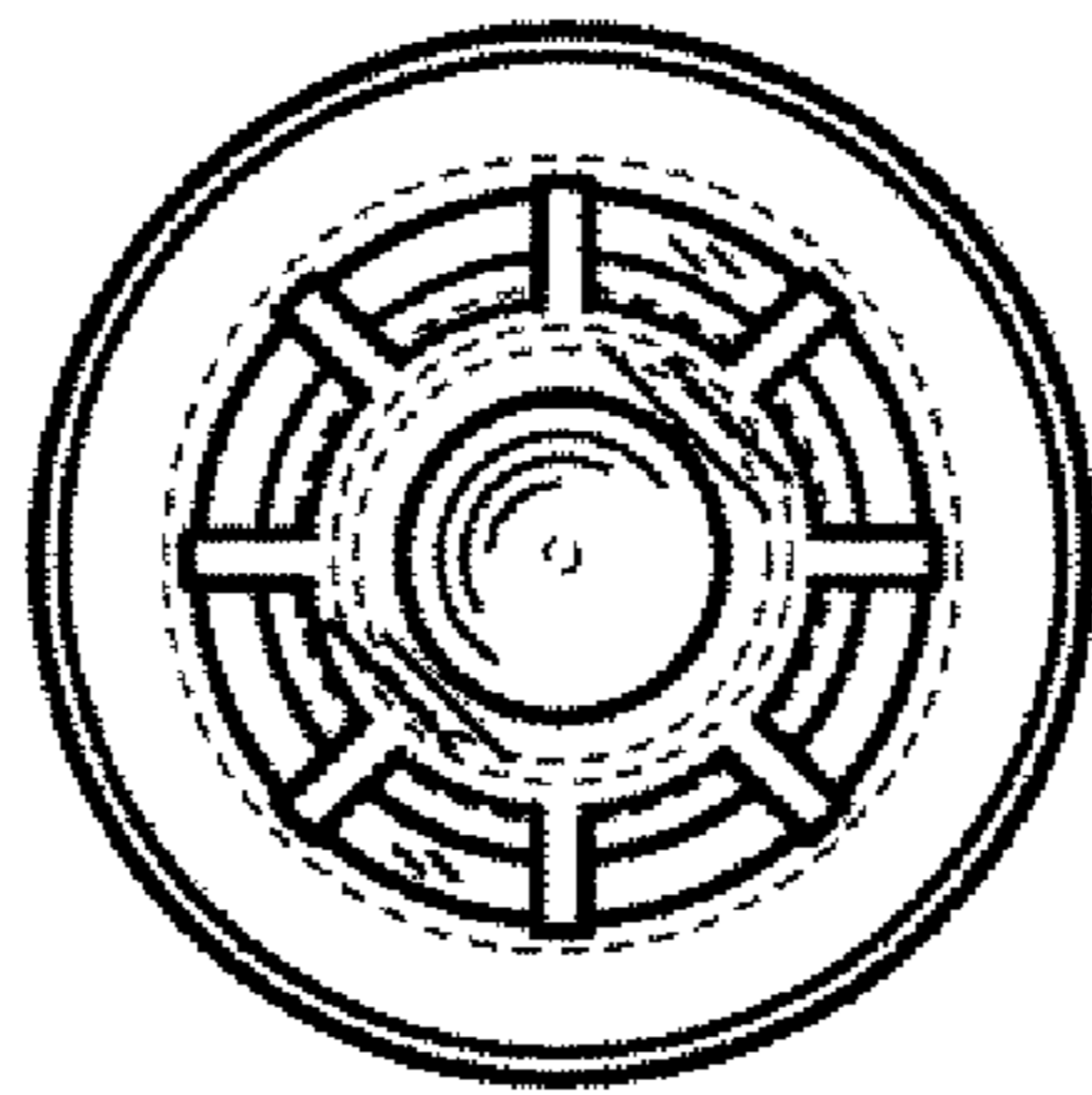


FIG. 24

