



US00D604360S

(12) **United States Design Patent**
Savoy

(10) **Patent No.:** **US D604,360 S**
(45) **Date of Patent:** **** Nov. 17, 2009**

(54) **PLANNER BOOKLET**

(75) Inventor: **Harolde M. Savoy**, Dallas, TX (US)

(73) Assignee: **Les Entreprises Dominion Blueline Inc.**, Saint-Jean-sur-Richelieu (CA)

(**) Term: **14 Years**

(21) Appl. No.: **29/334,330**

(22) Filed: **Mar. 24, 2009**

Related U.S. Application Data

(63) Continuation-in-part of application No. 29/328,400, filed on Nov. 24, 2008, which is a continuation of application No. 29/328,393, filed on Nov. 24, 2008, which is a continuation of application No. 29/322,774, filed on Aug. 12, 2008, now Pat. No. Des. 583,863, which is a continuation of application No. 11/606,207, filed on Nov. 30, 2006, now abandoned.

(51) **LOC (9) Cl.** **19-04**

(52) **U.S. Cl.** **D19/26**

(58) **Field of Classification Search** D6/626,
D6/632, 407; D3/303, 301; D19/27, 26,
D19/90, 30, 31; D9/423; 402/73; 281/37,
281/31, 4, 29, 2

See application file for complete search history.

(56) **References Cited**

U.S. PATENT DOCUMENTS

2,354,782 A * 8/1944 Stradling et al. 281/16

(Continued)

FOREIGN PATENT DOCUMENTS

EP 0567714 A1 4/1992

OTHER PUBLICATIONS

U.S. Appl. No. 29/328,393, filed Nov. 24, 2008, Savoy.

(Continued)

Primary Examiner—Cathron C Brooks

Assistant Examiner—Austin Murphy

(74) *Attorney, Agent, or Firm*—Haynes and Boone, LLP

(57) **CLAIM**

The ornamental design for a planner booklet, as shown and described.

DESCRIPTION

FIG. 1 is a perspective view of the planner booklet showing my new design according to a first embodiment, the first embodiment having a first width-to-length ratio;

FIG. 2 is a front elevational view of the first embodiment;

FIG. 3 is a rear elevational view of the first embodiment;

FIG. 4 is a top plan view of the first embodiment;

FIG. 5 is a bottom plan view of the first embodiment;

FIG. 6 is a left side elevational view of the first embodiment;

FIG. 7 is a right side elevational view of the first embodiment;

FIG. 8 is a perspective view thereof showing the planner booklet unfolded in two sections;

FIG. 9 is a perspective view thereof showing the planner booklet unfolded in three sections;

FIG. 10 is a perspective view thereof showing the planner booklet unfolded in four sections;

FIG. 11 is a perspective view thereof showing the planner booklet unfolded in four sections with the spiral binder leaf shown in an alternate position of use;

FIG. 12 is a perspective view thereof showing the planner booklet unfolded in two section shown in an alternate position of use

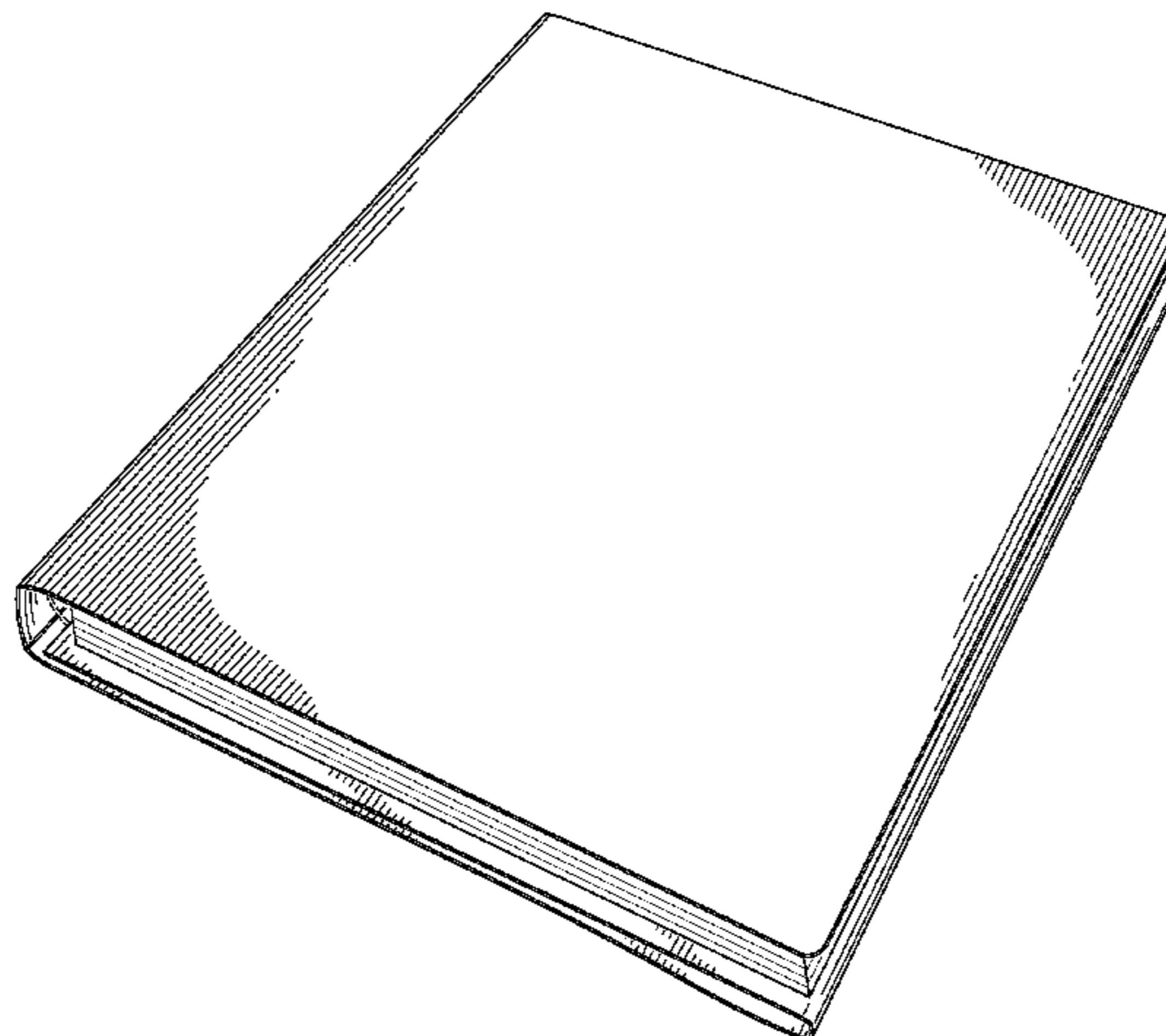
FIG. 13 is a perspective view of the planner booklet showing my new design according to a second embodiment, the second embodiment being identical to the first embodiment but for the difference in width to length ratio;

FIG. 14 is a perspective view of the planner booklet showing my new design according to a third embodiment, the third embodiment being identical to the first embodiment but for the difference in width to length ratio; and,

FIG. 15 is a perspective view of the planner booklet showing my new design according to a fourth embodiment, the fourth embodiment being identical to the first embodiment but for the difference in width to length ratio.

The broken lines in the drawings form no part of the claimed design.

1 Claim, 12 Drawing Sheets



US D604,360 S

Page 2

U.S. PATENT DOCUMENTS

2,865,659 A 12/1958 Zimmermann
3,380,644 A * 4/1968 D Alessio 206/424
3,620,552 A 11/1971 Woodcock et al.
D257,264 S 10/1980 Savatteri
D268,347 S * 3/1983 Marsh D19/27
D304,343 S 10/1989 Popat et al.
D308,225 S 5/1990 Dressler
4,971,361 A 11/1990 Whiting
5,104,146 A 4/1992 Schulz et al.
D328,470 S * 8/1992 Costello et al. D19/26
D377,946 S 2/1997 French et al.
D413,725 S 9/1999 Hartmann et al.
6,024,508 A 2/2000 Lippeth et al.
6,089,607 A 7/2000 Keeney et al.
D449,927 S 11/2001 Dorizas
D455,781 S 4/2002 Jobelius et al.
D477,634 S 7/2003 Malone
D498,256 S * 11/2004 Weiss et al. D19/3
D523,078 S 6/2006 Ong
D549,283 S 8/2007 Bharna
D557,739 S 12/2007 Bharna
D558,267 S * 12/2007 Bharna D19/26

D560,719 S * 1/2008 Wehmeyer D19/26
D573,637 S 7/2008 Bharna
D579,975 S * 11/2008 Brown D19/26
D582,978 S * 12/2008 Fu D19/26
D583,863 S 12/2008 Savoy
2002/0074791 A1 6/2002 Wien et al.
2003/0209903 A1 11/2003 Morris
2007/0120356 A1 5/2007 Savoy

OTHER PUBLICATIONS

U.S. Appl. No. 29/328,400, filed Nov. 24, 2008, Savoy.
U.S. Appl. No. 60/740,666, filed Nov. 30, 2005, Savoy.
Kyle R. Grabowski, "Office Action," mailed Oct. 15, 2007, 11 pgs.,
issued in U.S. Appl. No. 11/606,207, U.S. Patent and Trademark
Office.
Kyle R. Grabowski, "Office Action," mailed May 12, 2008, 10 pgs.,
issued in U.S. Appl. No. 11/606,207, U.S. Patent and Trademark
Office.
Murphy, Austin, "Notice of Allowance and Fee(s) Due," mailed Oct.
3, 2008; 10 pages, issued in U.S. Appl. No. 29/322,774, U.S. Patent
and Trademark Office.

* cited by examiner

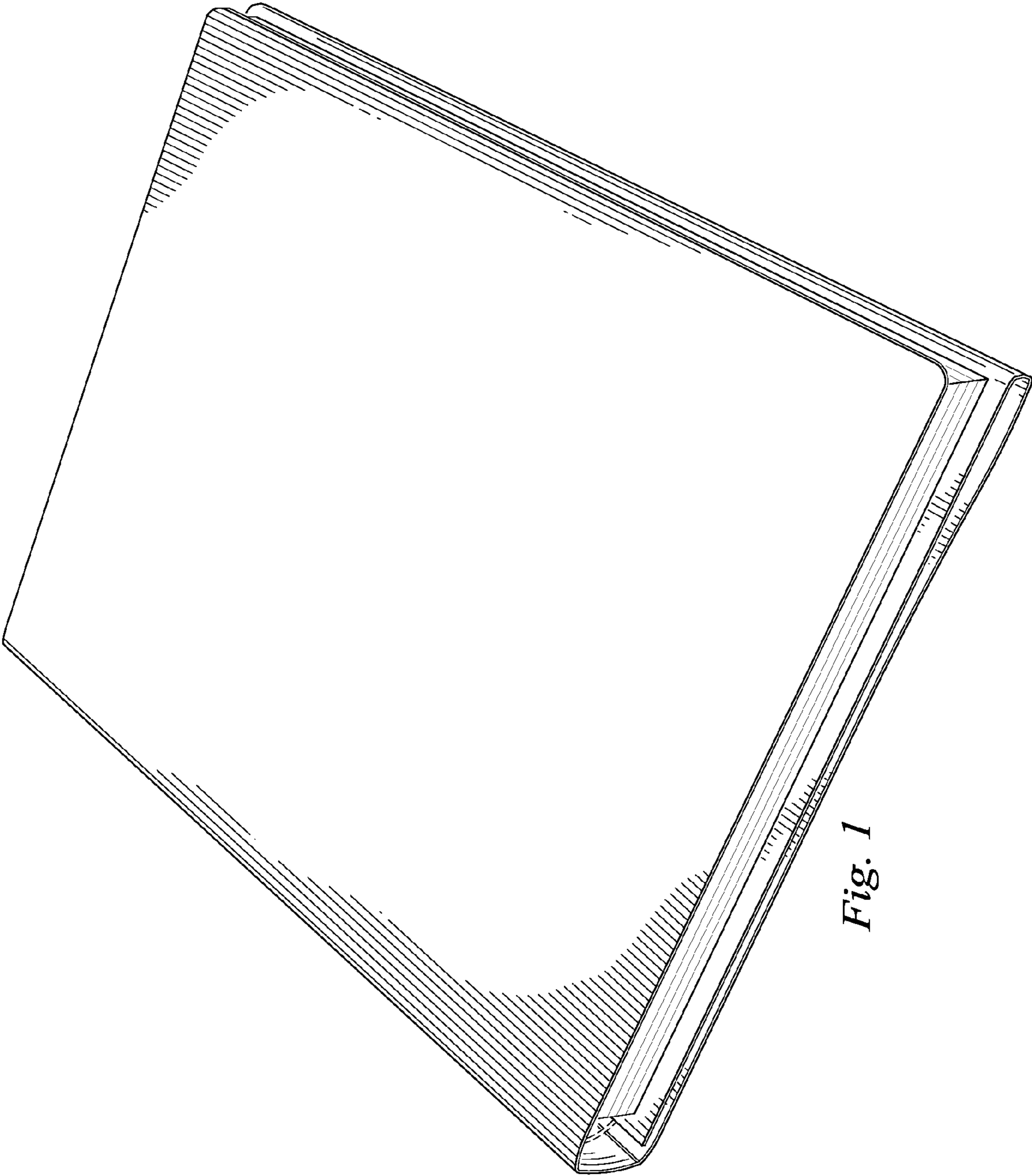


Fig. 1

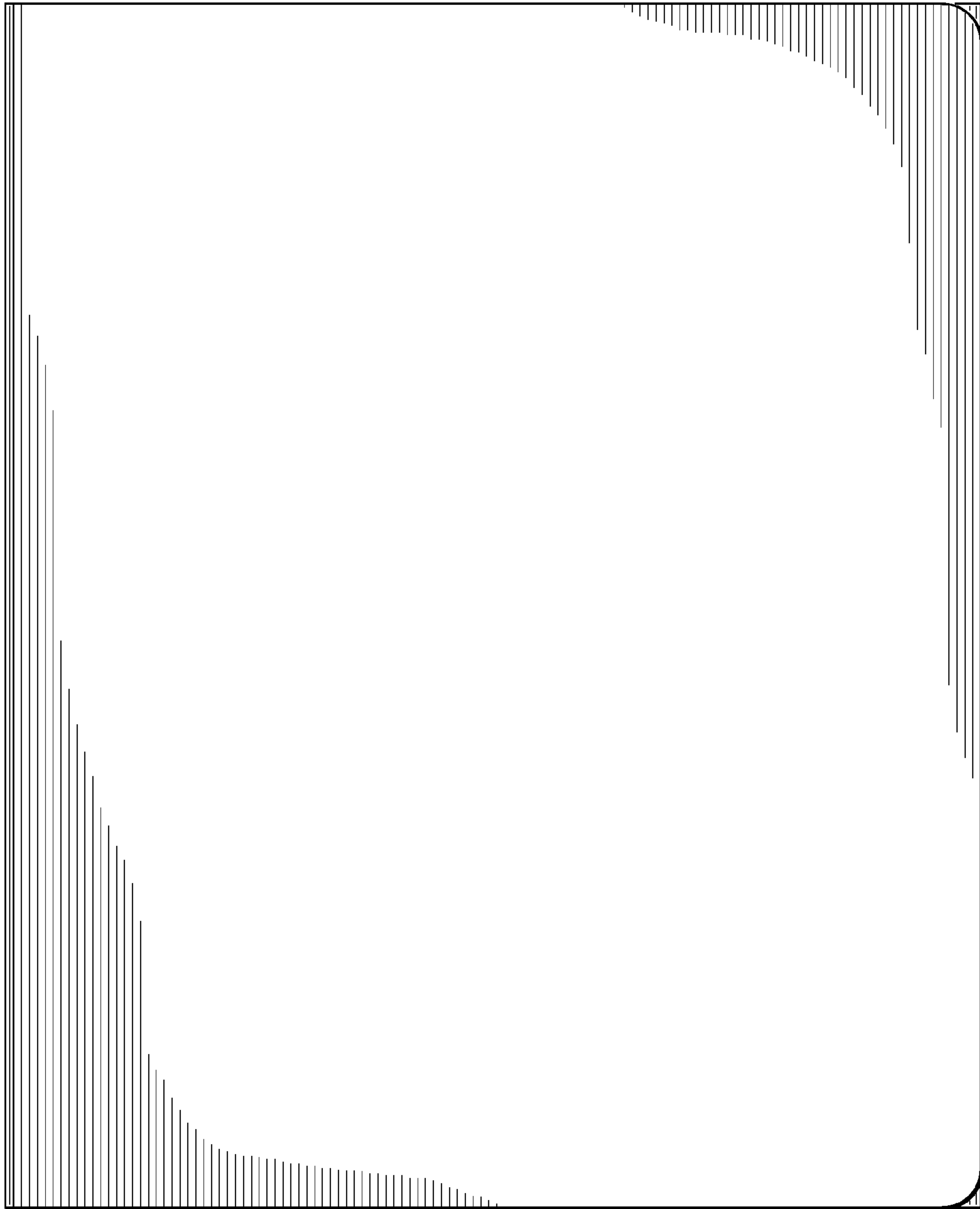


Fig. 2

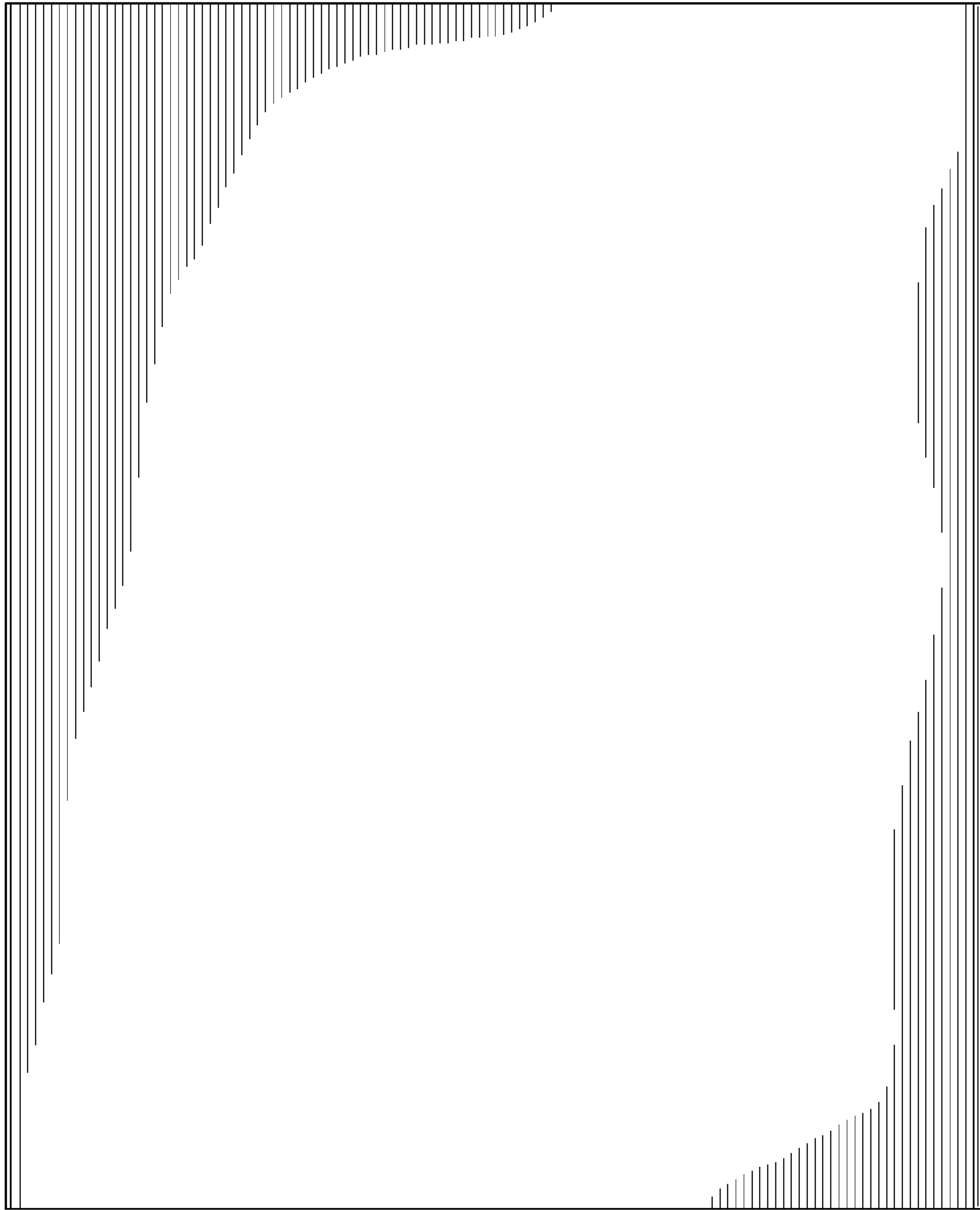


Fig. 3

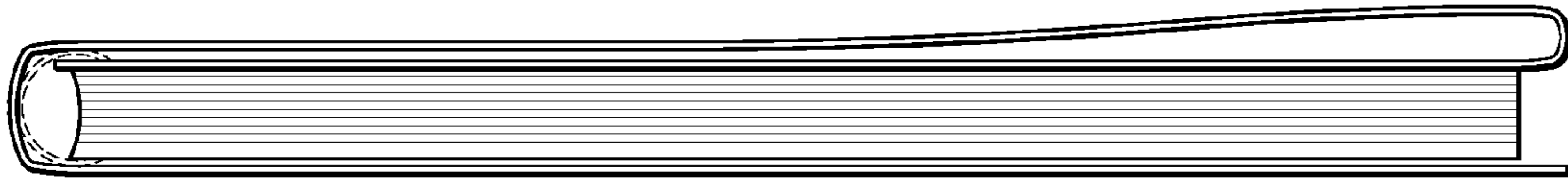


Fig. 4

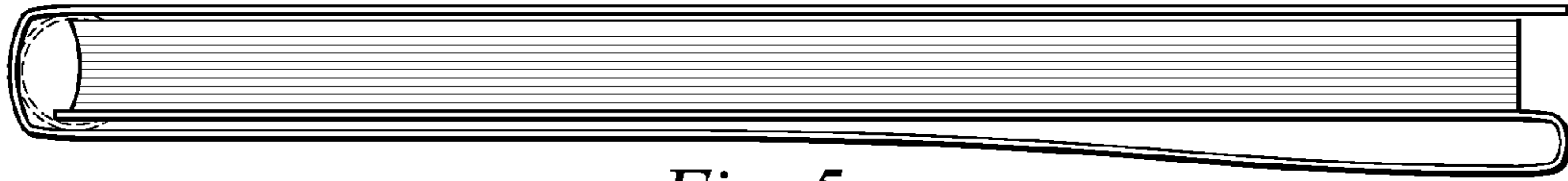


Fig. 5

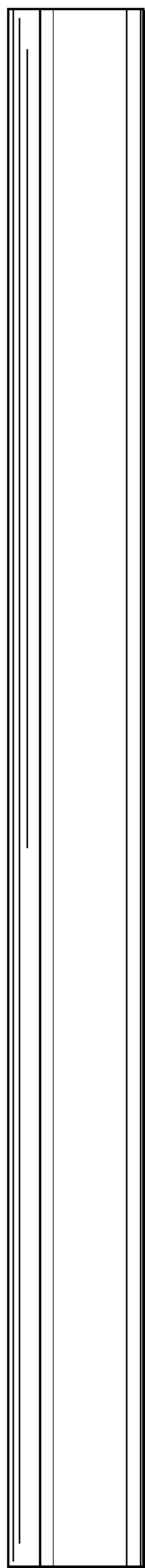


Fig. 6

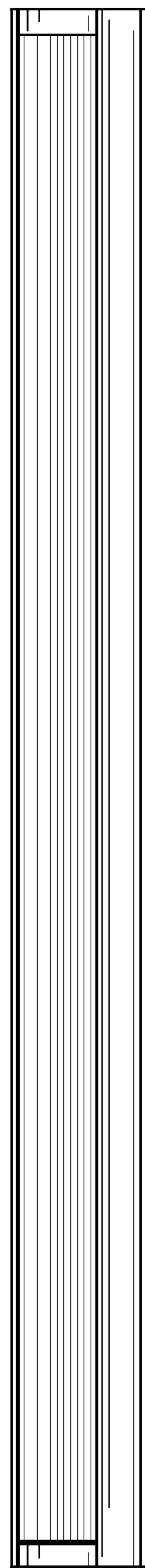


Fig. 7

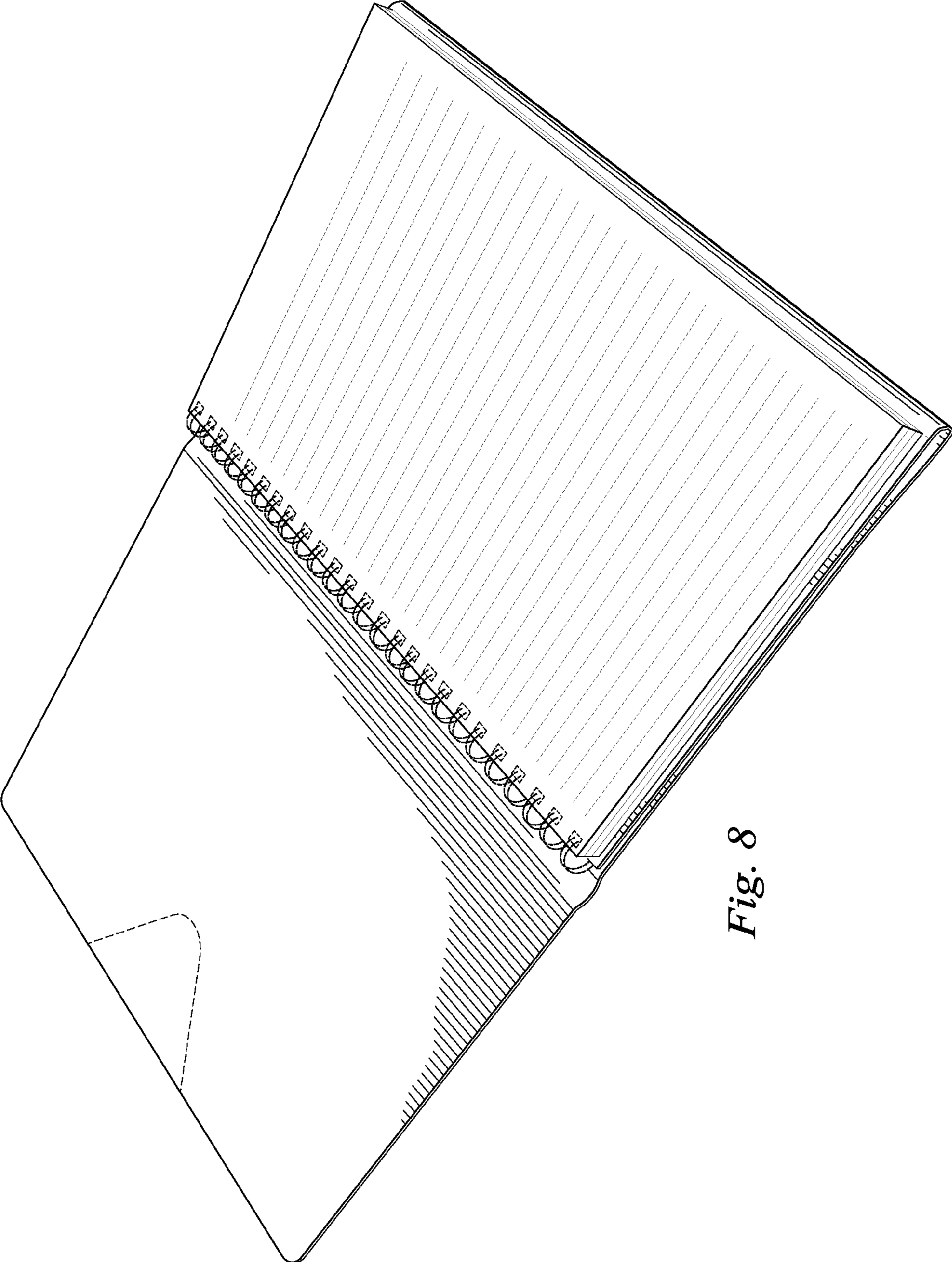


Fig. 8

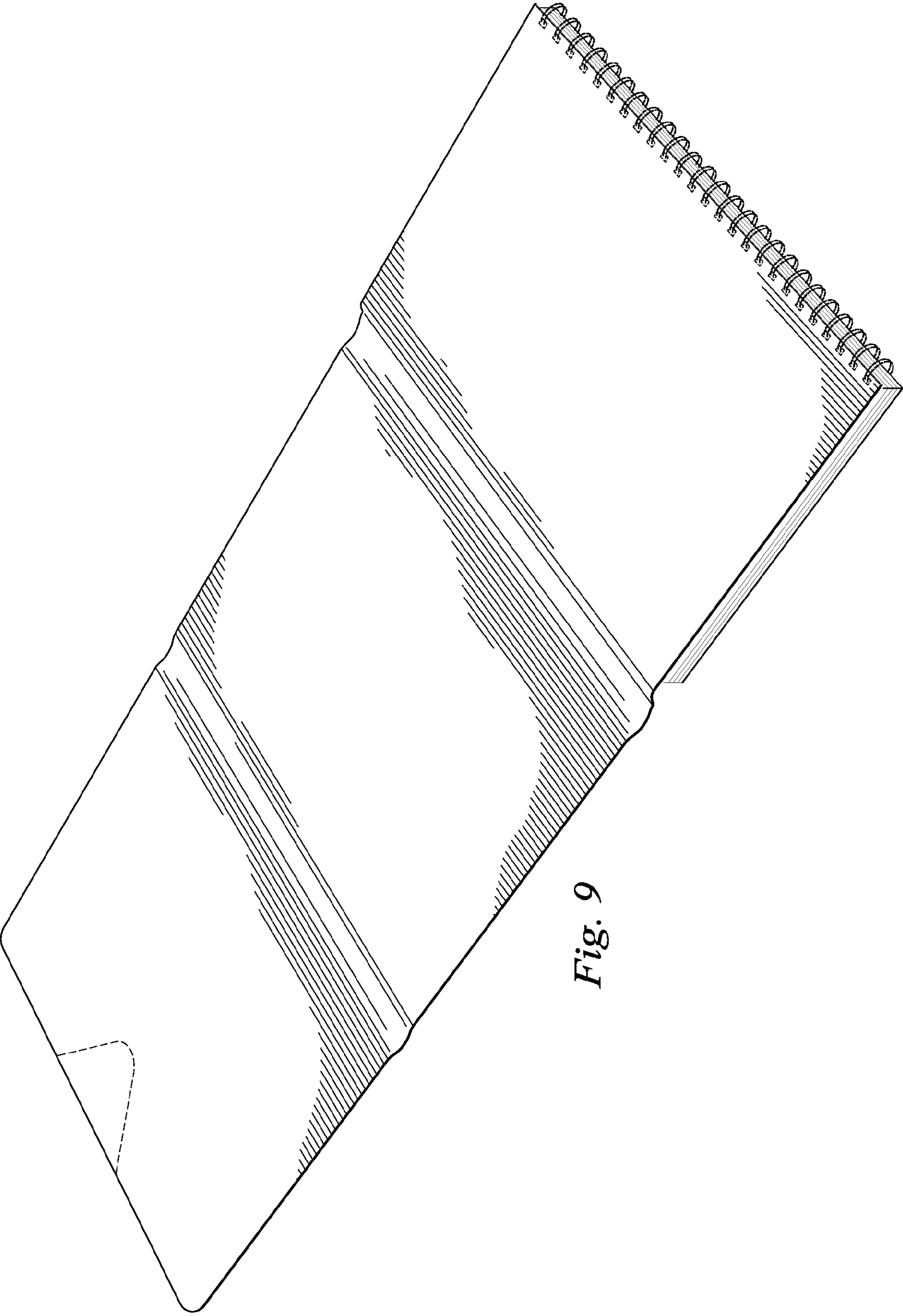


Fig. 9

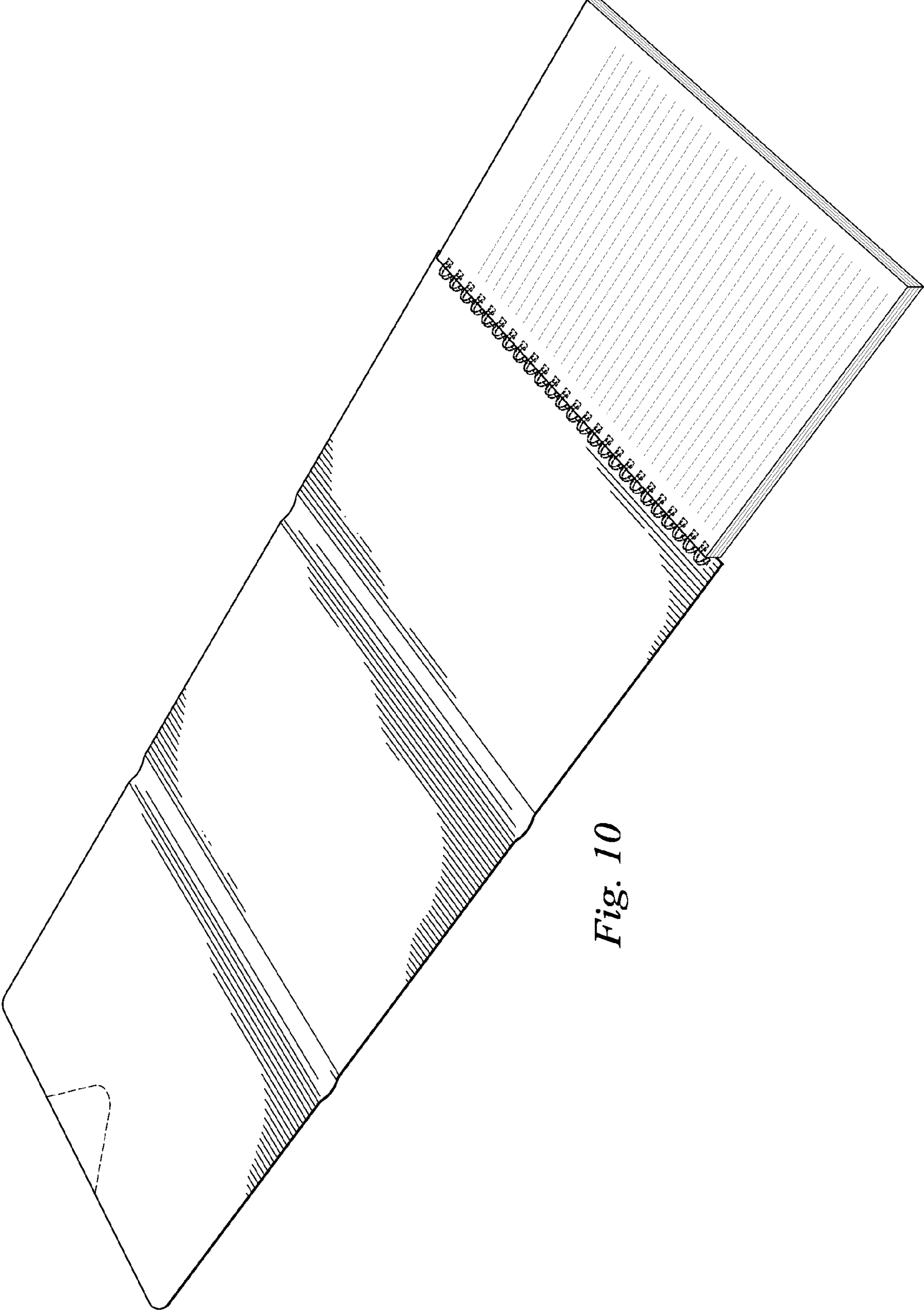


Fig. 10

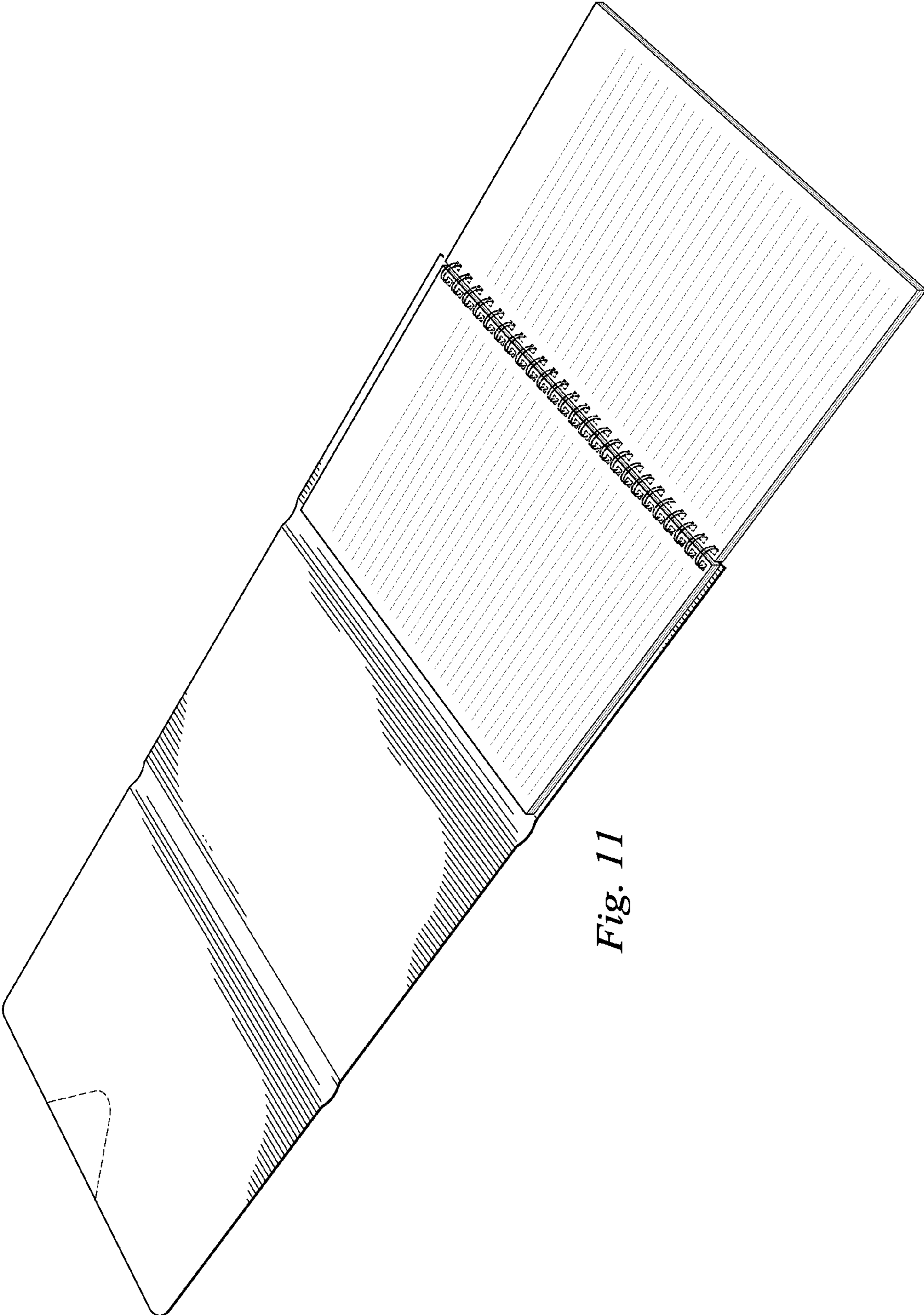


Fig. 11

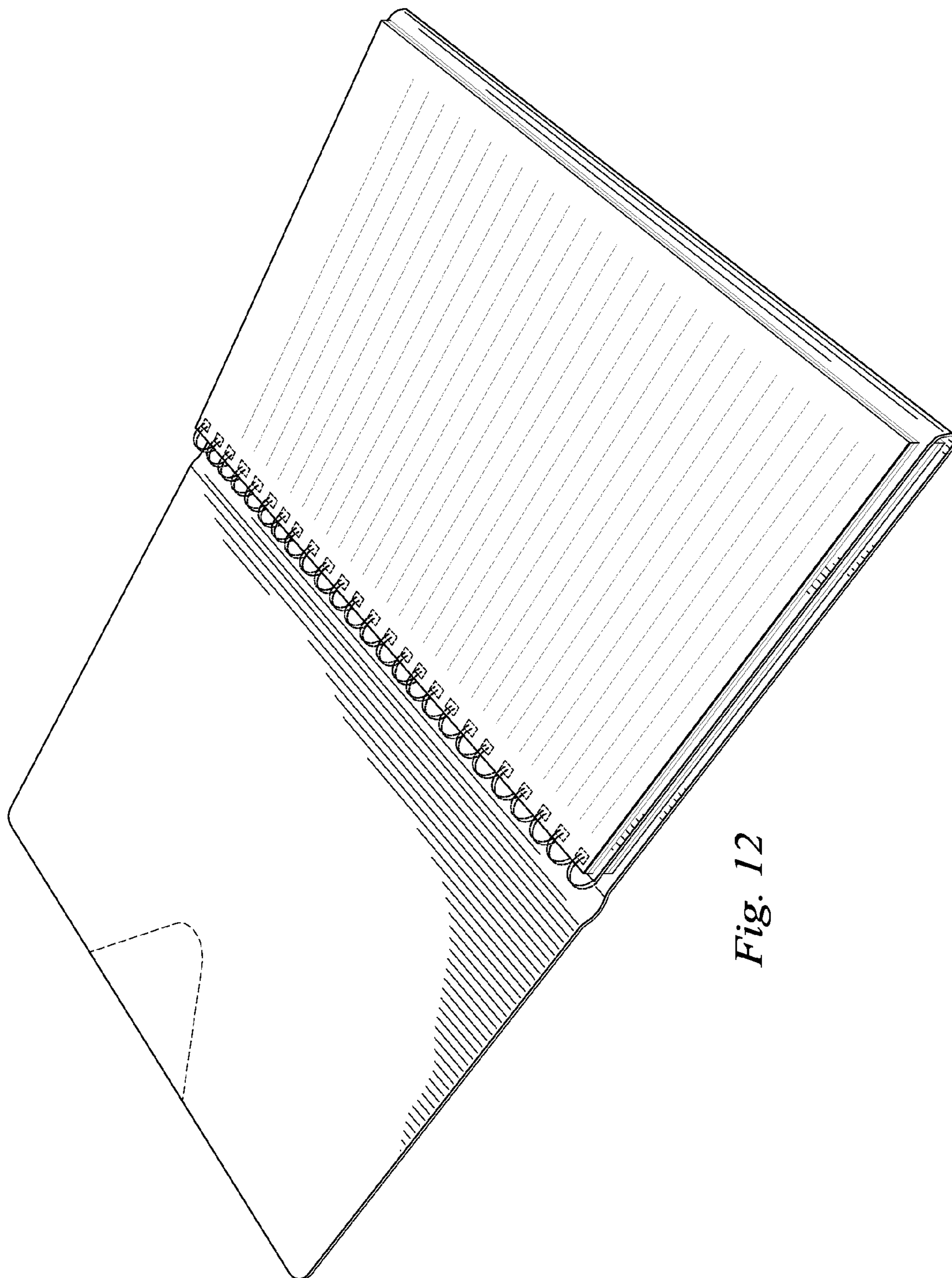


Fig. 12

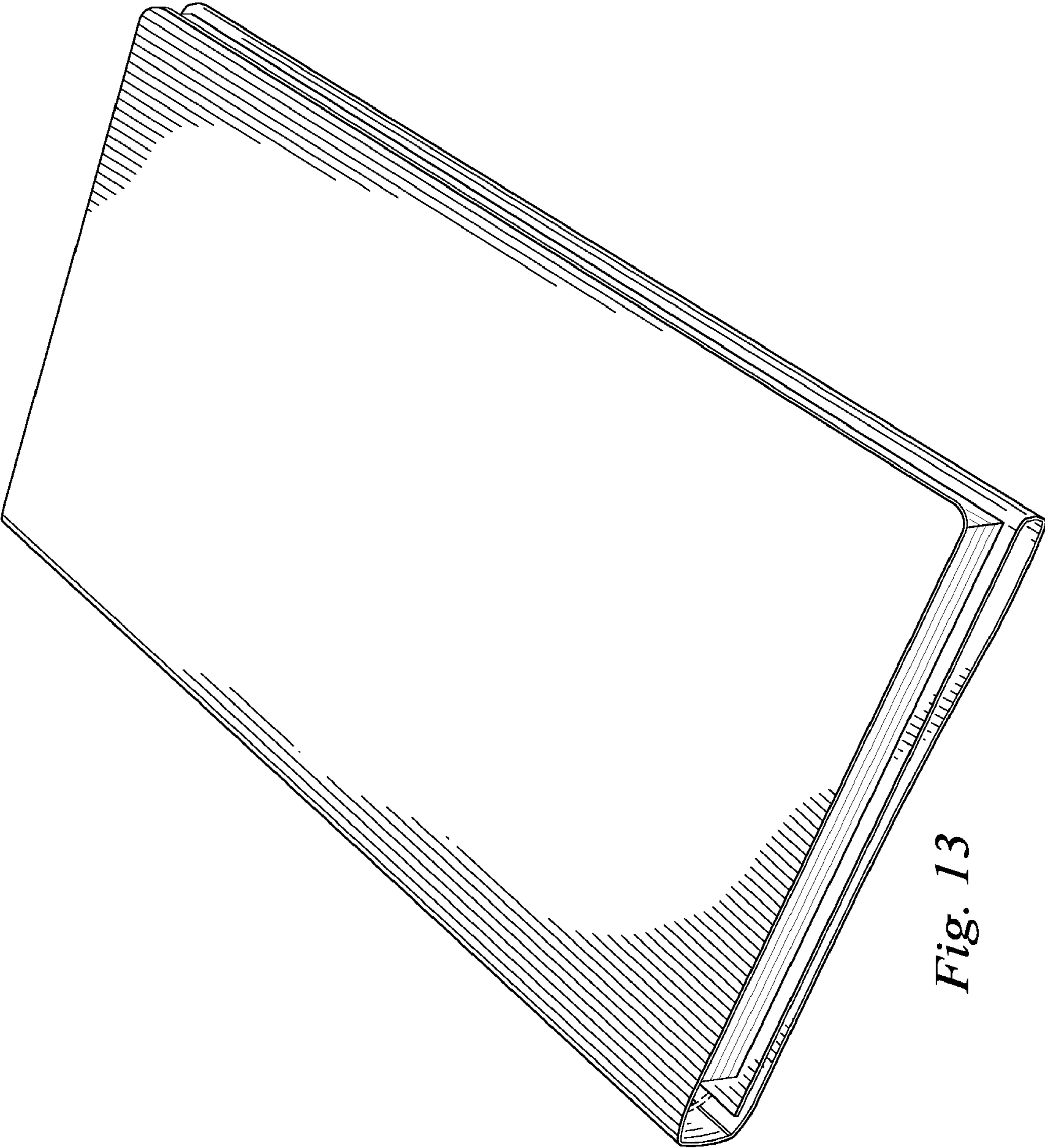


Fig. 13

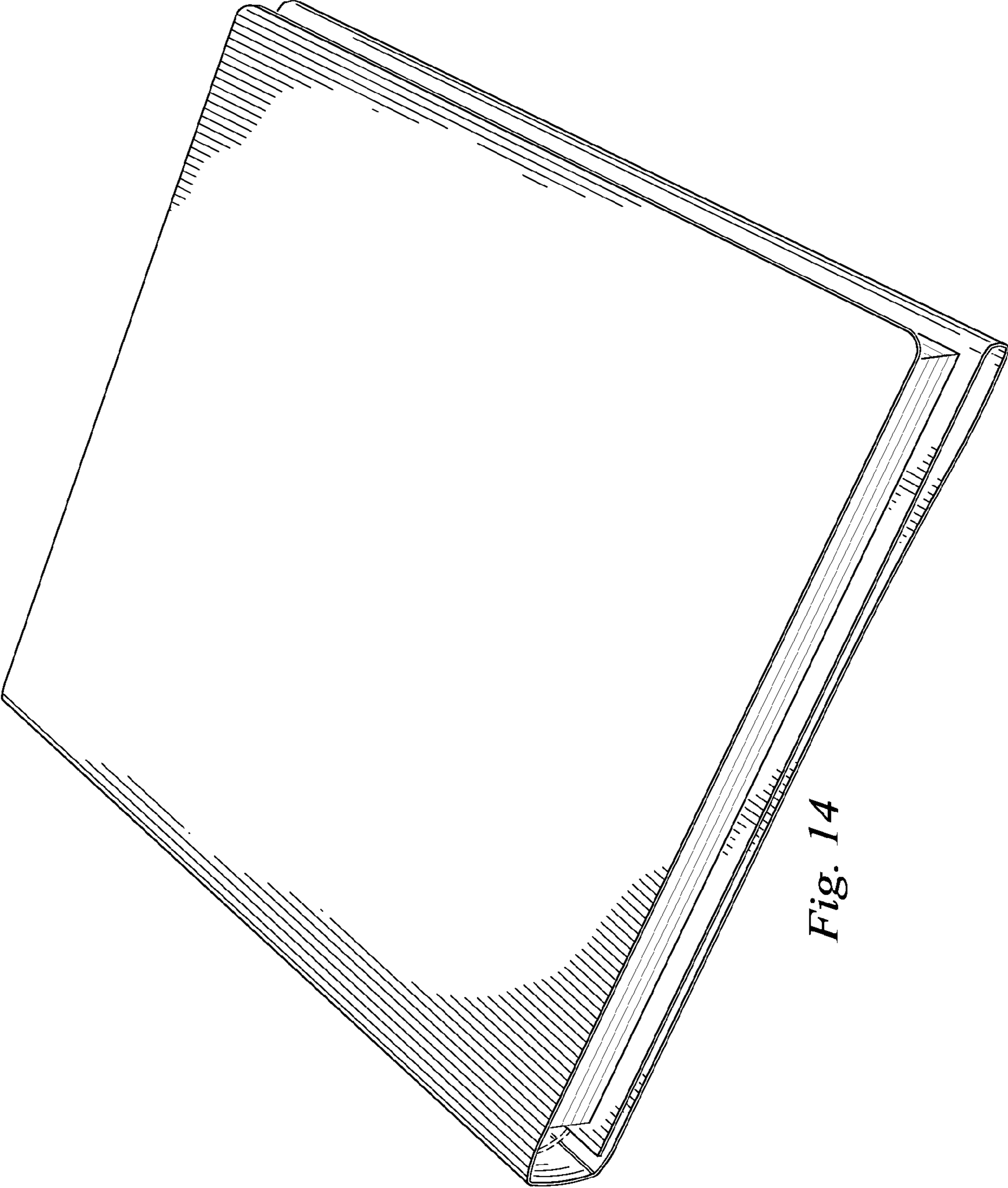


Fig. 14

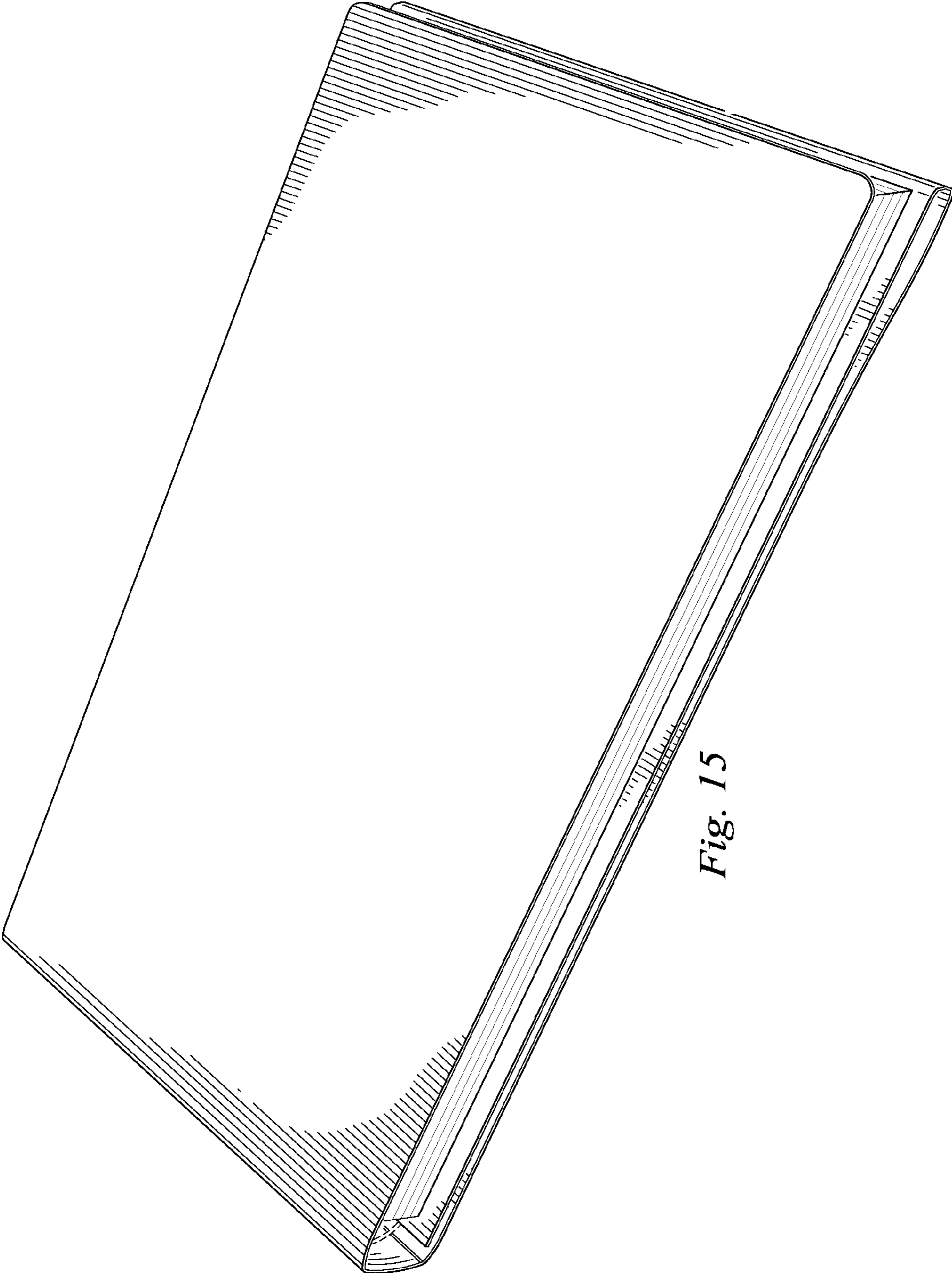


Fig. 15