



US00D604359S

(12) **United States Design Patent**
Santos

(10) **Patent No.:** **US D604,359 S**
(45) **Date of Patent:** **** Nov. 17, 2009**

(54) **FINANCIAL TRANSACTION CARD**

(75) Inventor: **Leo Santos**, Dallas, TX (US)

(73) Assignee: **V Home Depot USA, Inc.**, Atlanta, GA (US)

(**) Term: **14 Years**

(21) Appl. No.: **29/337,157**

(22) Filed: **May 15, 2009**

(51) **LOC (9) Cl.** **19-08**

(52) **U.S. Cl.** **D19/9**

(58) **Field of Classification Search** D19/1-34,
D19/37, 39, 40; 40/124.01-124.15, 672,
40/661, 726, 776, 617; 283/72, 74, 75, 103,
283/105, 106; 206/449, 461; D21/385; D10/61,
D10/62, 64; D20/10, 22, 27, 40, 42, 11;
D14/435-437; 235/380; 33/555.2, 562,
33/563, 565, 199 R; 150/136

See application file for complete search history.

(56) **References Cited**

U.S. PATENT DOCUMENTS

2,077,232	A *	4/1937	Grahek, Sr.	D19/39
2,738,606	A *	3/1956	Klein	206/461
3,147,789	A *	9/1964	Paulson	150/136
D250,200	S *	11/1978	Glaubinger	D19/1
4,138,820	A *	2/1979	O'Connor	33/562
D279,797	S *	7/1985	Brunetto	D19/37
D284,675	S *	7/1986	Ashley	D19/37

4,936,016	A *	6/1990	Simpson	33/555.2
4,998,355	A *	3/1991	Greene	33/562
5,353,513	A *	10/1994	Round	33/555.2
D353,577	S *	12/1994	Shoda et al.	D14/435
5,501,020	A *	3/1996	Welt	33/555.2
D419,185	S *	1/2000	Teter et al.	D19/1
D503,195	S *	3/2005	de la Rosa Luna Parra	..	D19/26
D537,080	S *	2/2007	McDonald et al.	D14/436
D553,187	S *	10/2007	Bradley	D19/40
D598,493	S *	8/2009	Flynn	D19/9

* cited by examiner

Primary Examiner—T. Chase Nelson

Assistant Examiner—David G Muller

(74) *Attorney, Agent, or Firm*—Issac T. Lin

(57) **CLAIM**

The ornamental design for a financial transaction card, as shown and described.

DESCRIPTION

FIG. 1 is a perspective view showing one embodiment of the new design.

FIG. 2 is a front view thereof.

FIG. 3 is a rear view thereof.

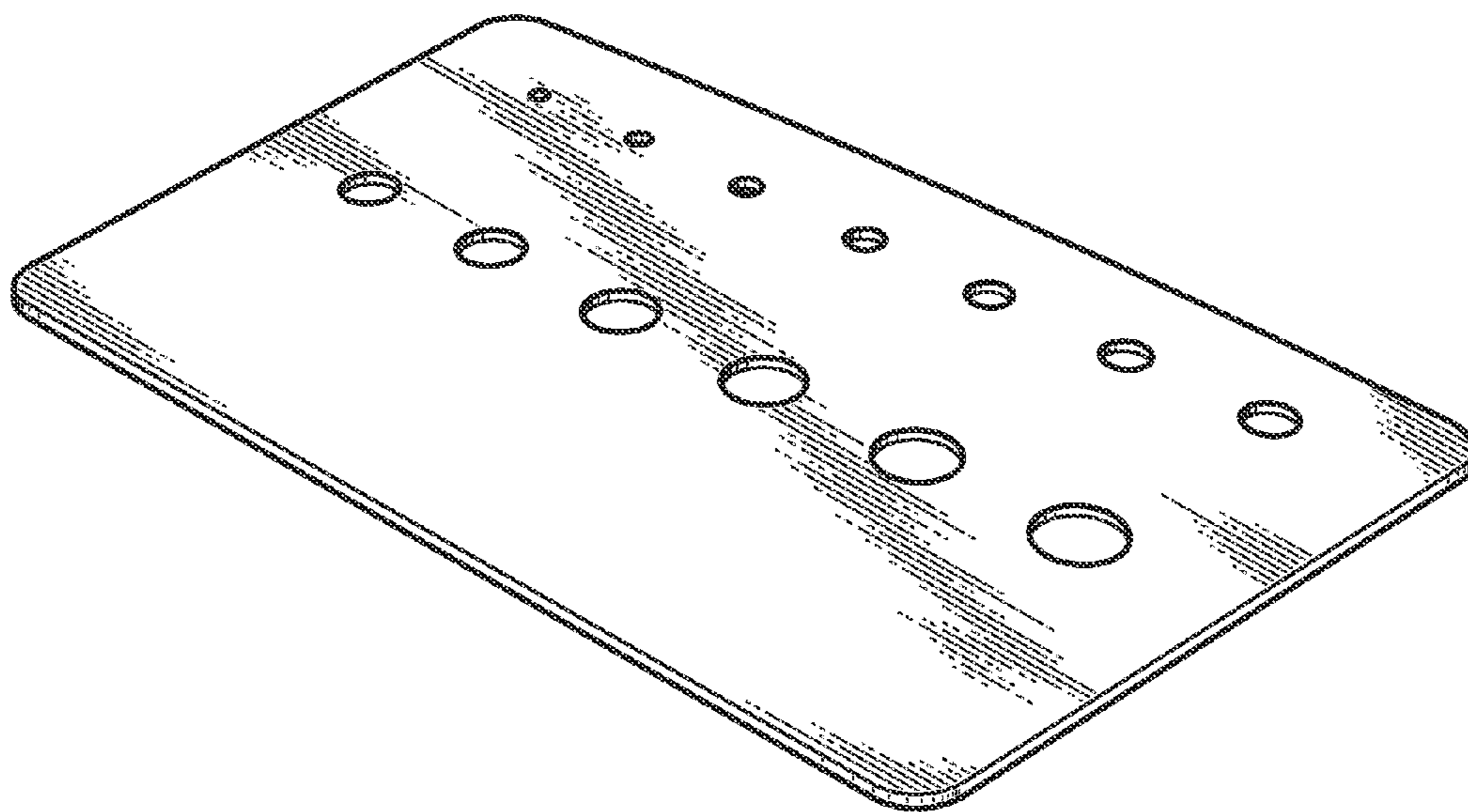
FIG. 4 is a left side view thereof.

FIG. 5 is a right side view thereof.

FIG. 6 is a top view thereof; and,

FIG. 7 is a bottom view thereof.

1 Claim, 3 Drawing Sheets



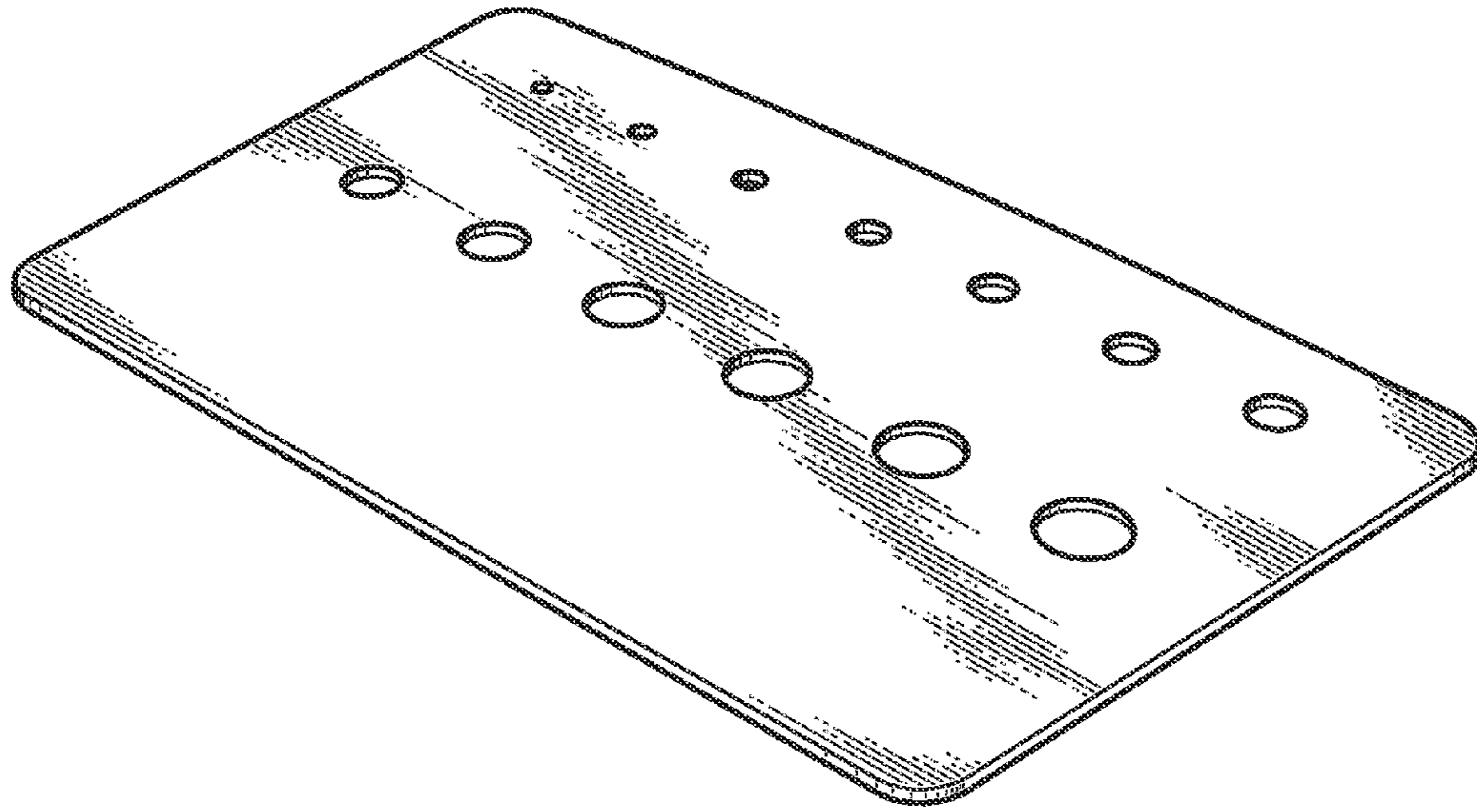


FIG. 1

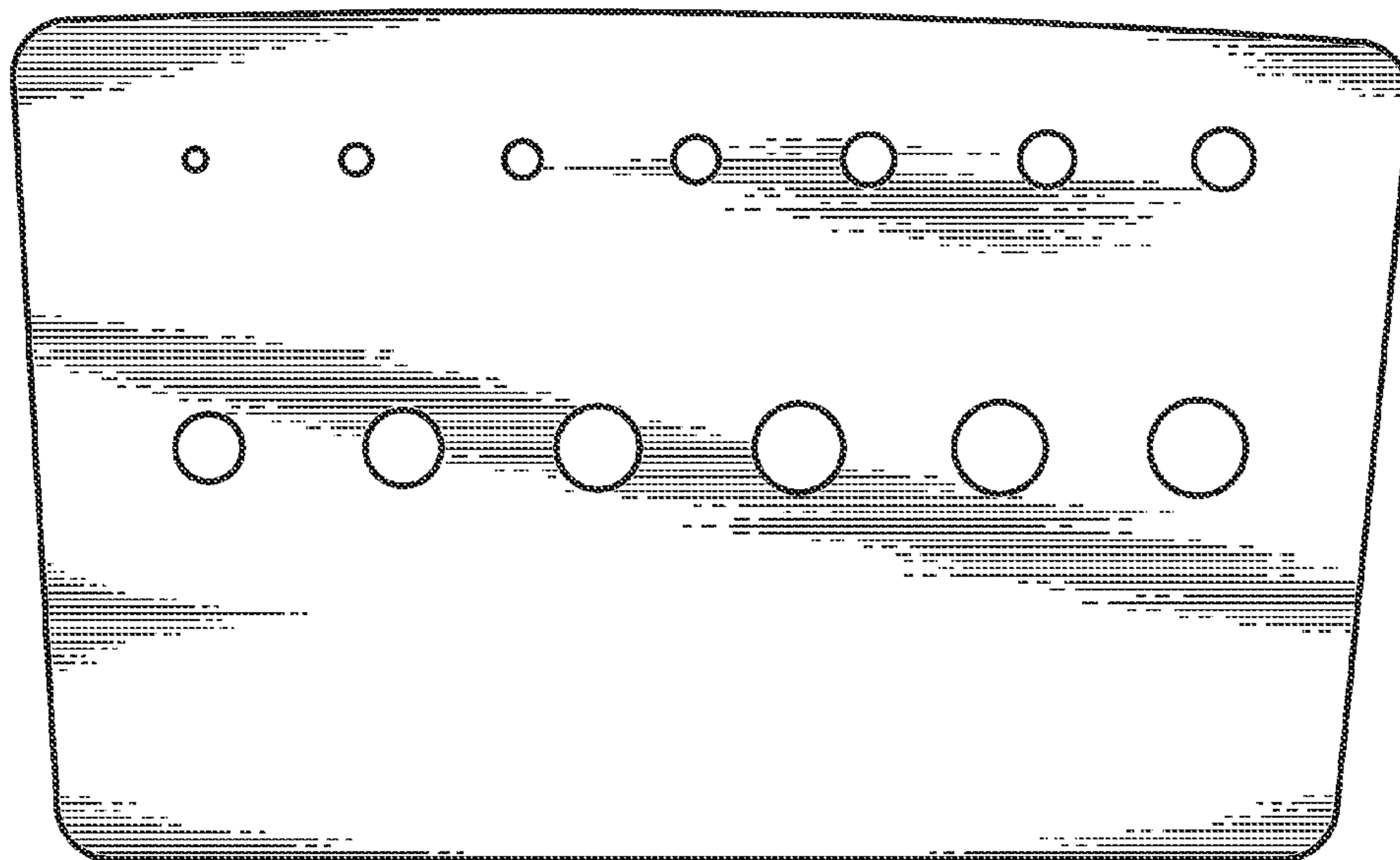


FIG. 2

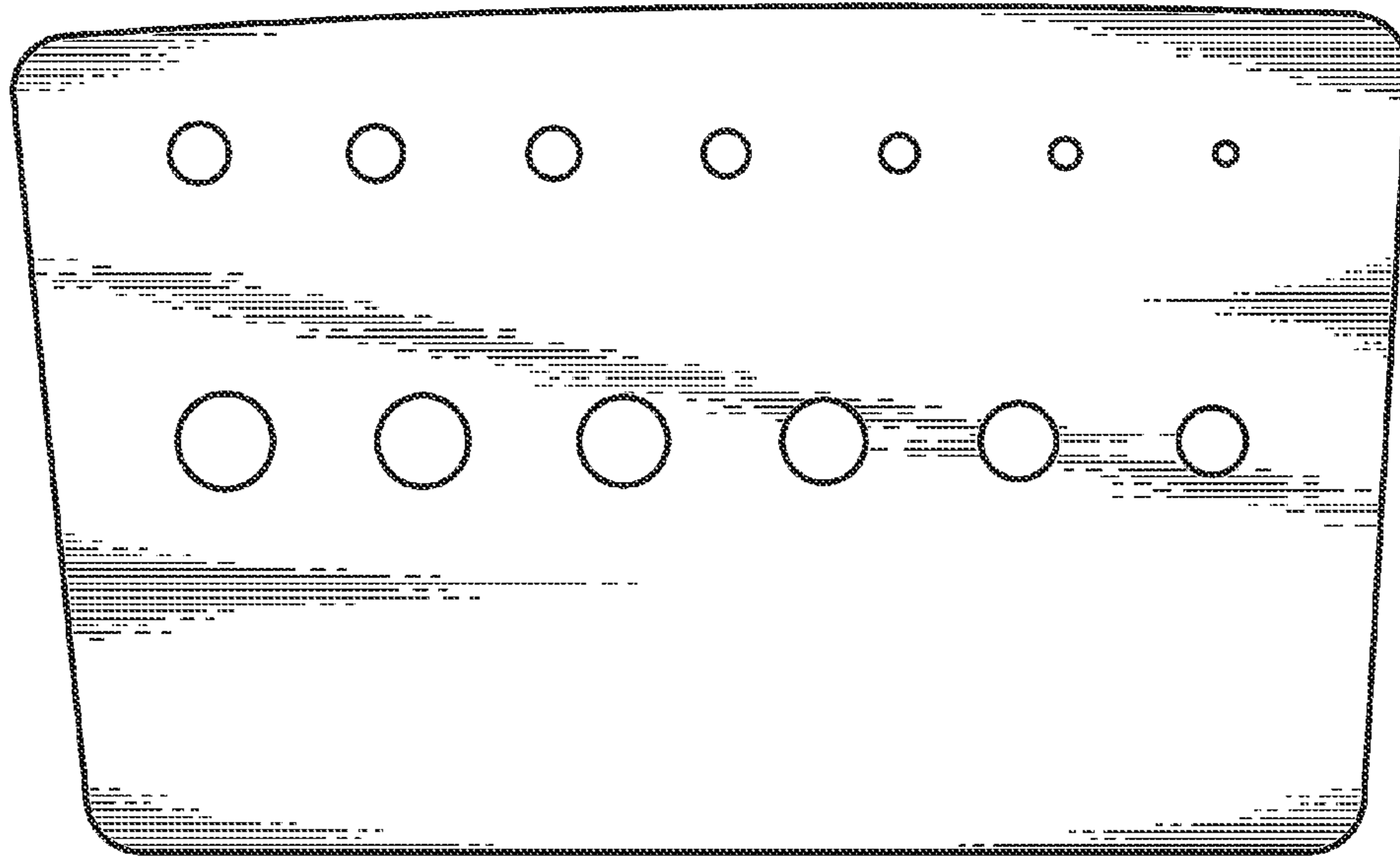


FIG. 3



FIG. 4

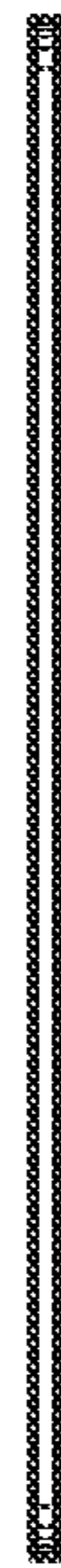


FIG. 5

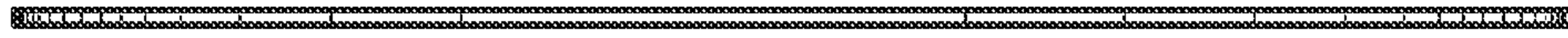


FIG. 6

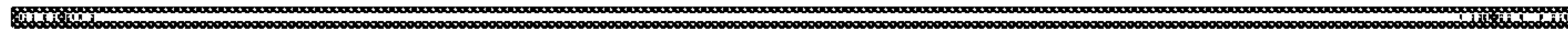


FIG. 7