



US00D604358S

(12) **United States Design Patent**
Kinoshita et al.

(10) **Patent No.:** **US D604,358 S**
(45) **Date of Patent:** **** Nov. 17, 2009**

(54) **TONER CARTRIDGE**

(75) Inventors: **Takeru Kinoshita**, Tokyo (JP); **Junichi Hashimoto**, Tokyo (JP)

(73) Assignee: **Konica Minolta Business Technologies, Inc.**, Chiyoda-Ku, Tokyo (JP)

(**) Term: **14 Years**

(21) Appl. No.: **29/326,589**

(22) Filed: **Oct. 21, 2008**

Related U.S. Application Data

(62) Division of application No. 29/290,763, filed on Jan. 10, 2008.

Foreign Application Priority Data

(30) Jul. 10, 2007 (JP) 2007-18706
Jul. 10, 2007 (JP) 2007-18707

(51) **LOC (9) Cl.** **16-03**

(52) **U.S. Cl.** **D18/43**

(58) **Field of Classification Search** D14/462,
D14/471, 474, 475; D18/12, 36, 40, 43,
D18/44, 56; 222/DIG. 1; 347/49, 197, 214,
347/222; 399/24-27, 107-112, 119, 121,
399/122, 222-224

See application file for complete search history.

(56) **References Cited**

U.S. PATENT DOCUMENTS

5,079,589 A 1/1992 Shibata et al.

D524,850 S 7/2006 Hashimoto et al.
D534,576 S 1/2007 Hashimoto et al.
D565,646 S 4/2008 Yamamoto et al.
D567,282 S 4/2008 Yamamoto et al.
D574,038 S 7/2008 Sakabe
D585,483 S * 1/2009 Sakabe D18/43

* cited by examiner

Primary Examiner—Caron Veynar

Assistant Examiner—Garth Rademaker

(74) *Attorney, Agent, or Firm*—Buchanan Ingersoll & Rooney PC

(57) **CLAIM**

The ornamental design for a toner cartridge, as shown.

DESCRIPTION

FIG. 1 is a top, front and right side perspective view of a toner cartridge showing our new design;

FIG. 2 is a top, front and left side perspective view thereof;

FIG. 3 is a front elevational view thereof;

FIG. 4 is a rear elevational view thereof;

FIG. 5 is a top plan view thereof

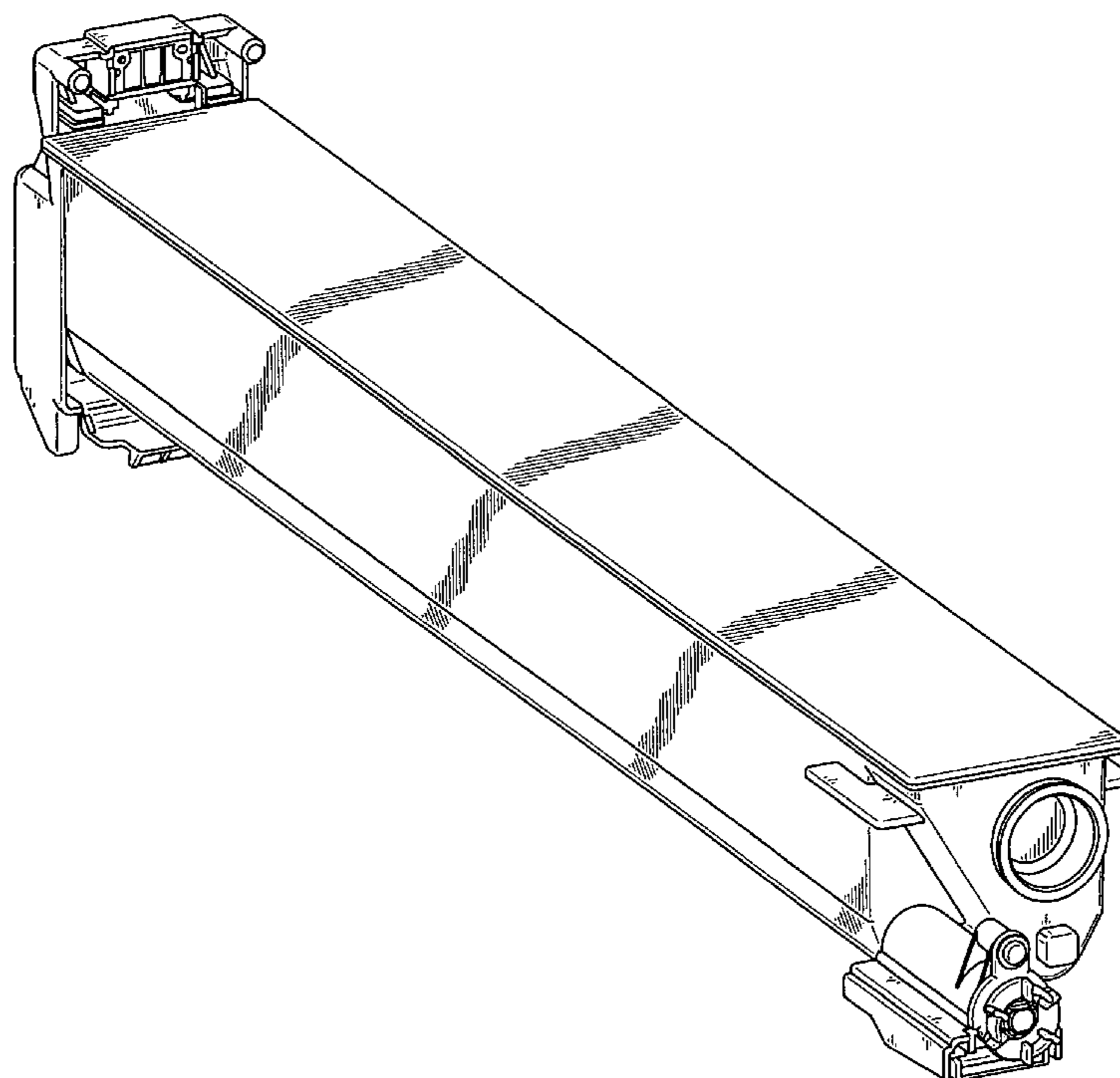
FIG. 6 is a bottom plan view thereof;

FIG. 7 is a left side view thereof; and,

FIG. 8 is a right side view thereof.

The broken lines shown in the drawings illustrate environmental subject matter only and form no part of the claimed design.

1 Claim, 5 Drawing Sheets



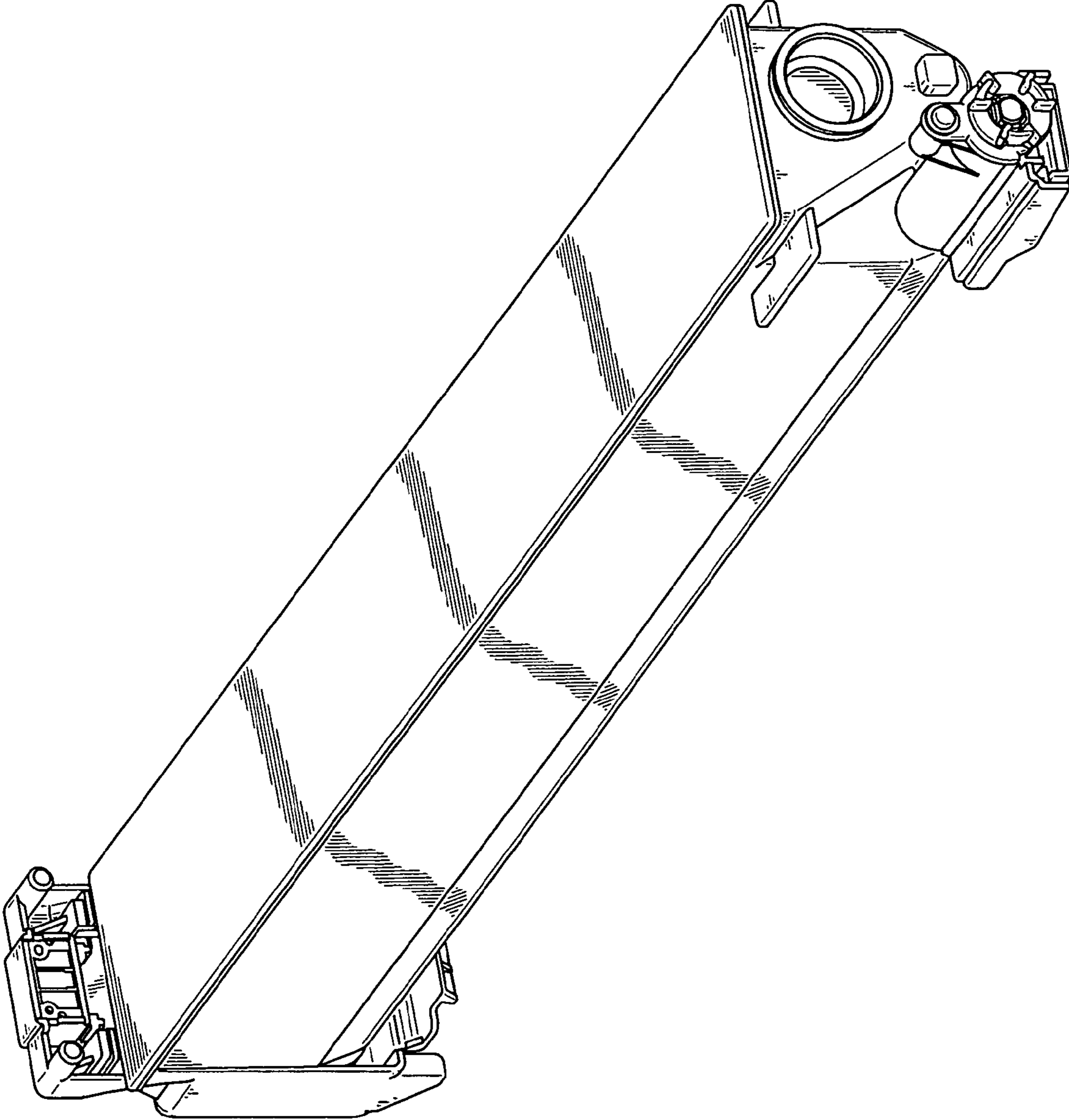


Fig. 1

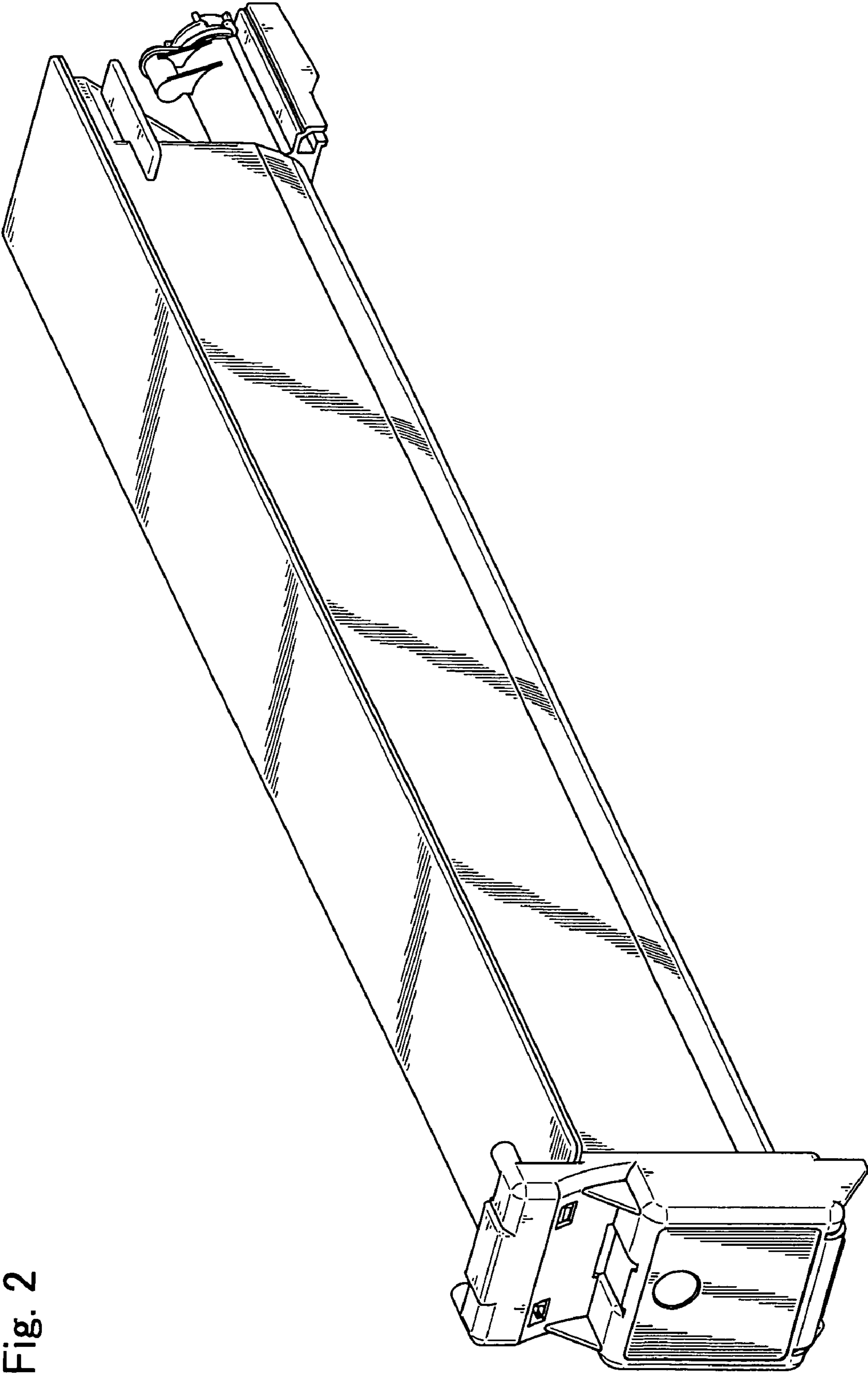


Fig. 2

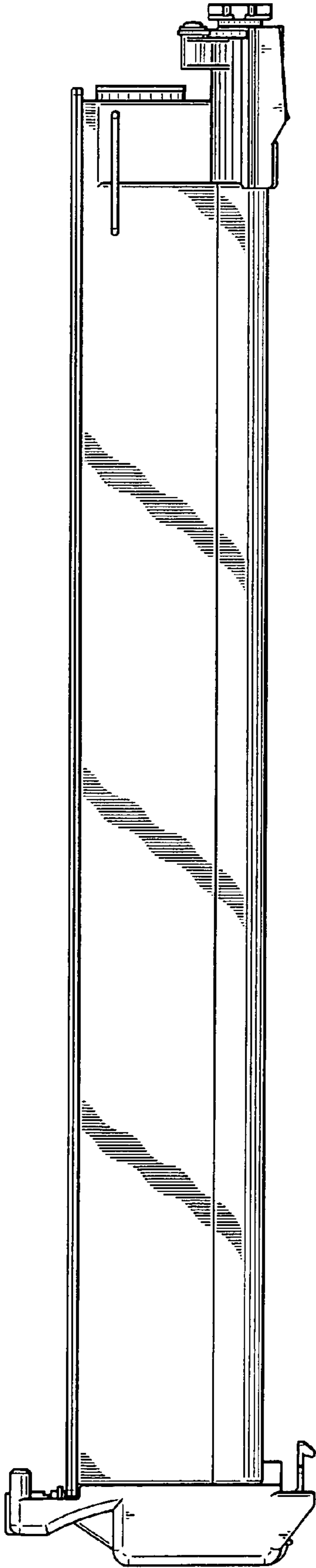


Fig. 3

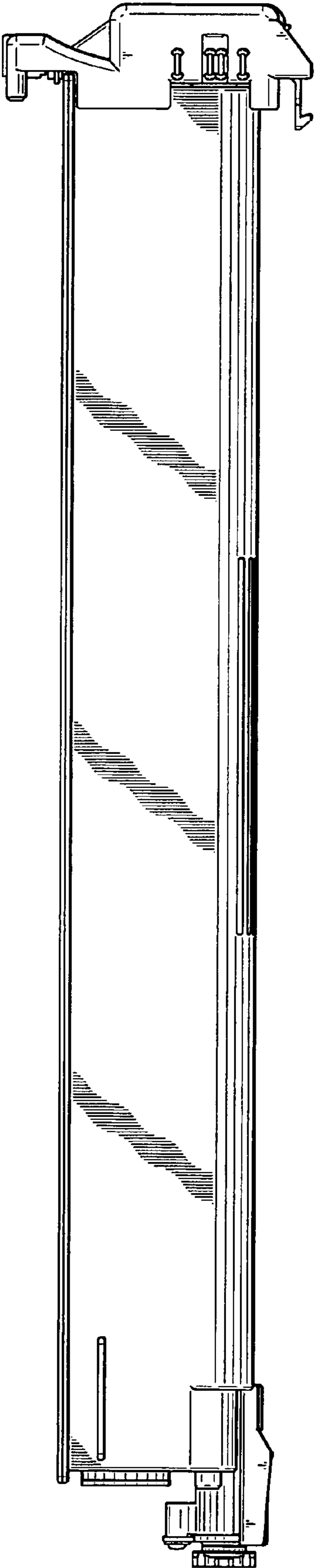


Fig. 4

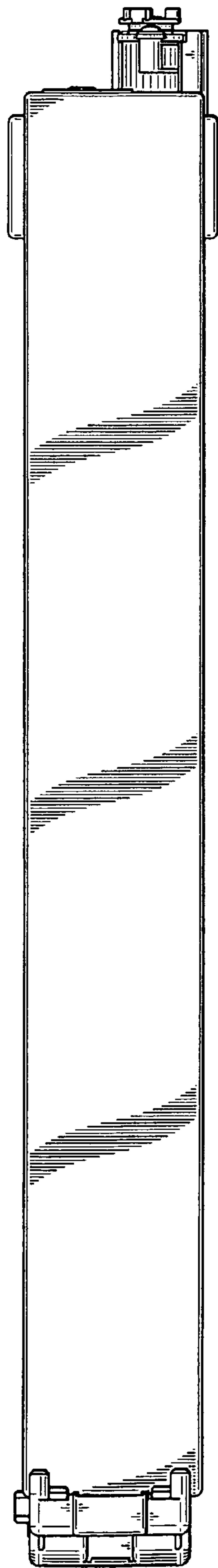


Fig. 5

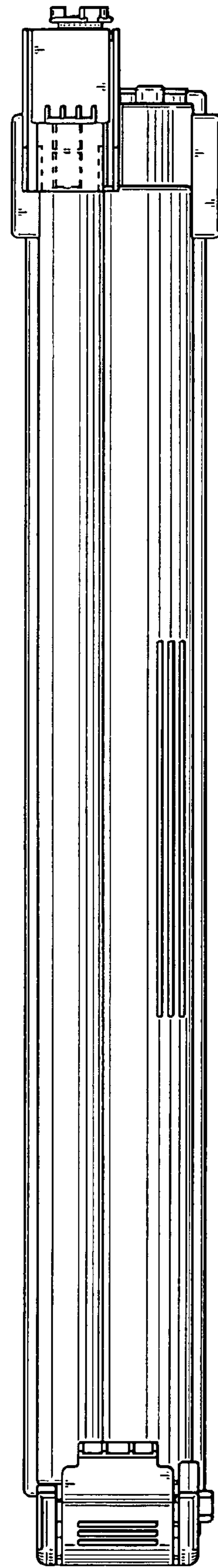


Fig. 6

Fig. 8

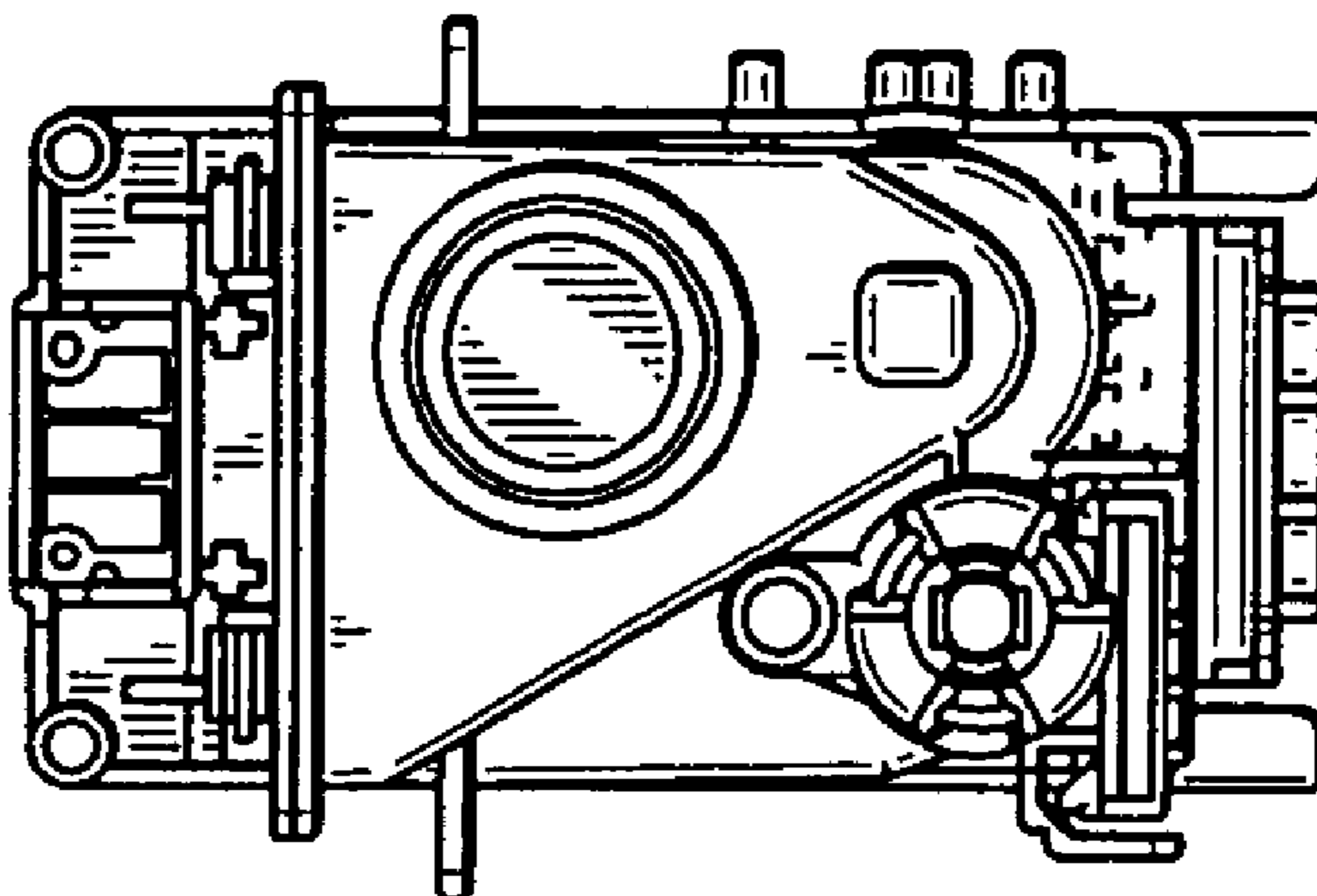


Fig. 7

